



US00D644697S

(12) **United States Design Patent**  
**Mimlitch, III et al.**

(10) **Patent No.:** **US D644,697 S**  
(45) **Date of Patent:** **\*\* Sep. 6, 2011**

(54) **TOY TRACK**

(75) Inventors: **Robert H. Mimlitch, III**, Rowlett, TX (US); **David Anthony Norman**, Greenville, TX (US); **Douglas Michael Galletti**, Allen, TX (US); **Joel Reagan Carter**, Argyle, TX (US); **Paul David Copioli**, Greenville, TX (US)

(73) Assignee: **Innovation First, Inc.**, Greenville, TX (US)

(\*\*) Term: **14 Years**

(21) Appl. No.: **29/375,630**

(22) Filed: **Sep. 24, 2010**

(51) **LOC (9) Cl.** ..... **21-01**

(52) **U.S. Cl.** ..... **D21/565**

(58) **Field of Classification Search** ..... D21/484,  
D21/490, 493, 564, 565, 802, 818, 821;  
446/168-174, 84, 89, 108, 112, 114, 116,  
446/124-128, 429, 444-447; 463/58-69;  
238/10 R, 10 A-10 C, 10 E, 10 F; 104/60,  
104/69

See application file for complete search history.

(56) **References Cited**

**U.S. PATENT DOCUMENTS**

3,343,793	A *	9/1967	Waser	.....	238/10 R
3,379,440	A *	4/1968	Jaffe	.....	463/69
D222,493	S *	10/1971	Douglas et al.	.....	D21/565
3,734,404	A *	5/1973	Baynes et al.	.....	238/10 E
4,195,776	A *	4/1980	Lehmann	.....	238/10 F

4,299,171	A *	11/1981	Larson	.....	238/10 F
D266,937	S *	11/1982	Dahlgren	.....	D21/565
D296,806	S *	7/1988	Bach et al.	.....	D21/565
D326,694	S *	6/1992	Suzuki	.....	D21/565
D363,324	S *	10/1995	Krause	.....	D21/565
5,564,962	A *	10/1996	Navarrete Espinosa	.....	446/128
D388,138	S *	12/1997	Lanoix et al.	.....	D21/565
6,342,015	B1 *	1/2002	Robertson et al.	.....	472/116
D573,665	S *	7/2008	Horikoshi	.....	D21/565
D598,506	S *	8/2009	Schieltz	.....	D21/561
2010/0081356	A1 *	4/2010	Lutchen et al.	.....	446/444
2010/0248586	A1 *	9/2010	Cochella	.....	446/444

\* cited by examiner

*Primary Examiner* — Cynthia M Chin

(74) *Attorney, Agent, or Firm* — Fish & Richardson P.C.

(57) **CLAIM**

The ornamental design for a toy track, as shown and described.

**DESCRIPTION**

FIG. 1 is a first perspective view of a toy track showing the top, front, and left sides of our new design;

FIG. 2 is a second perspective view showing the top, front, and right sides thereof;

FIG. 3 is a top plan view thereof;

FIG. 4 is a front side view thereof;

FIG. 5 is a rear side view thereof;

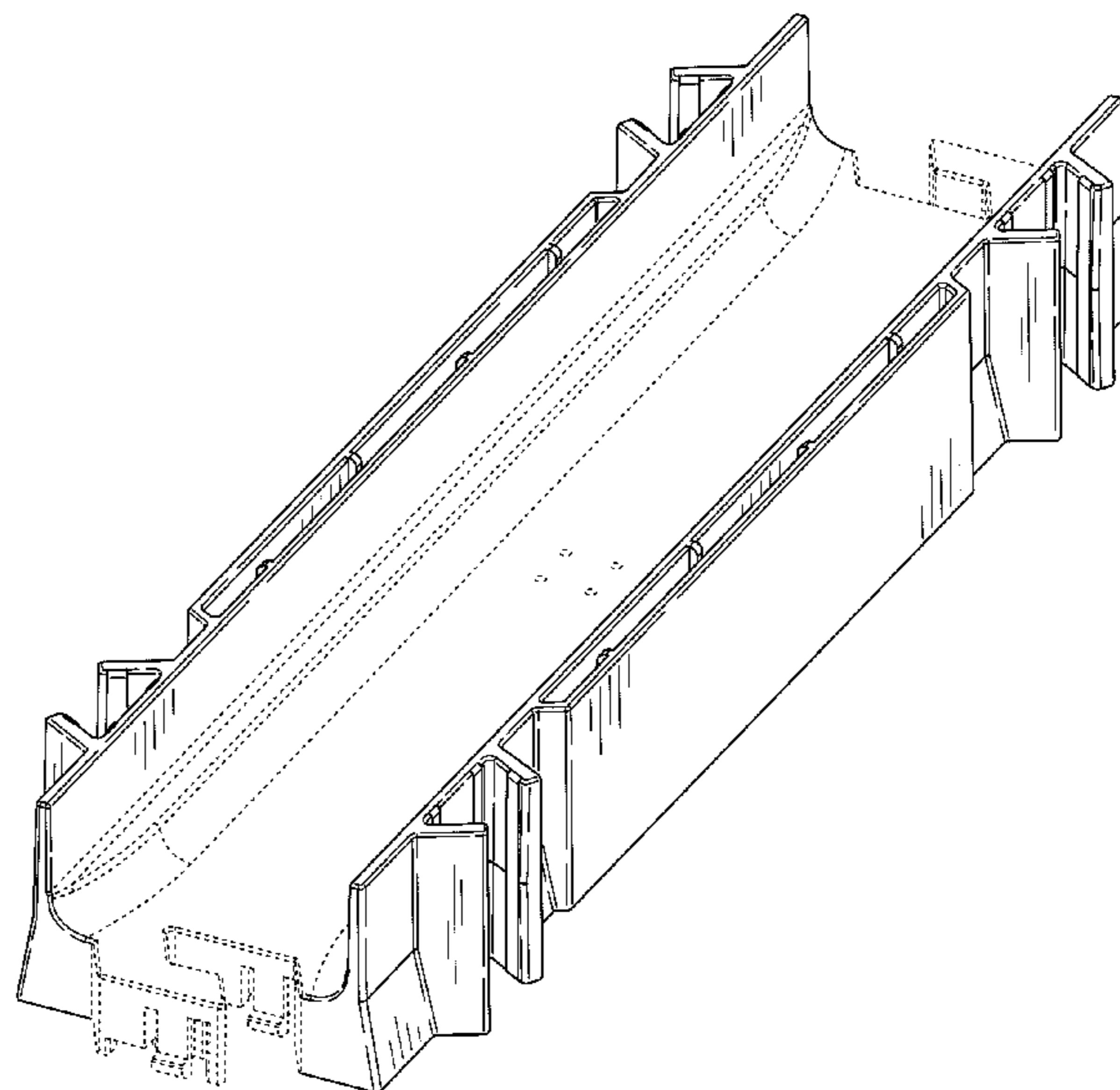
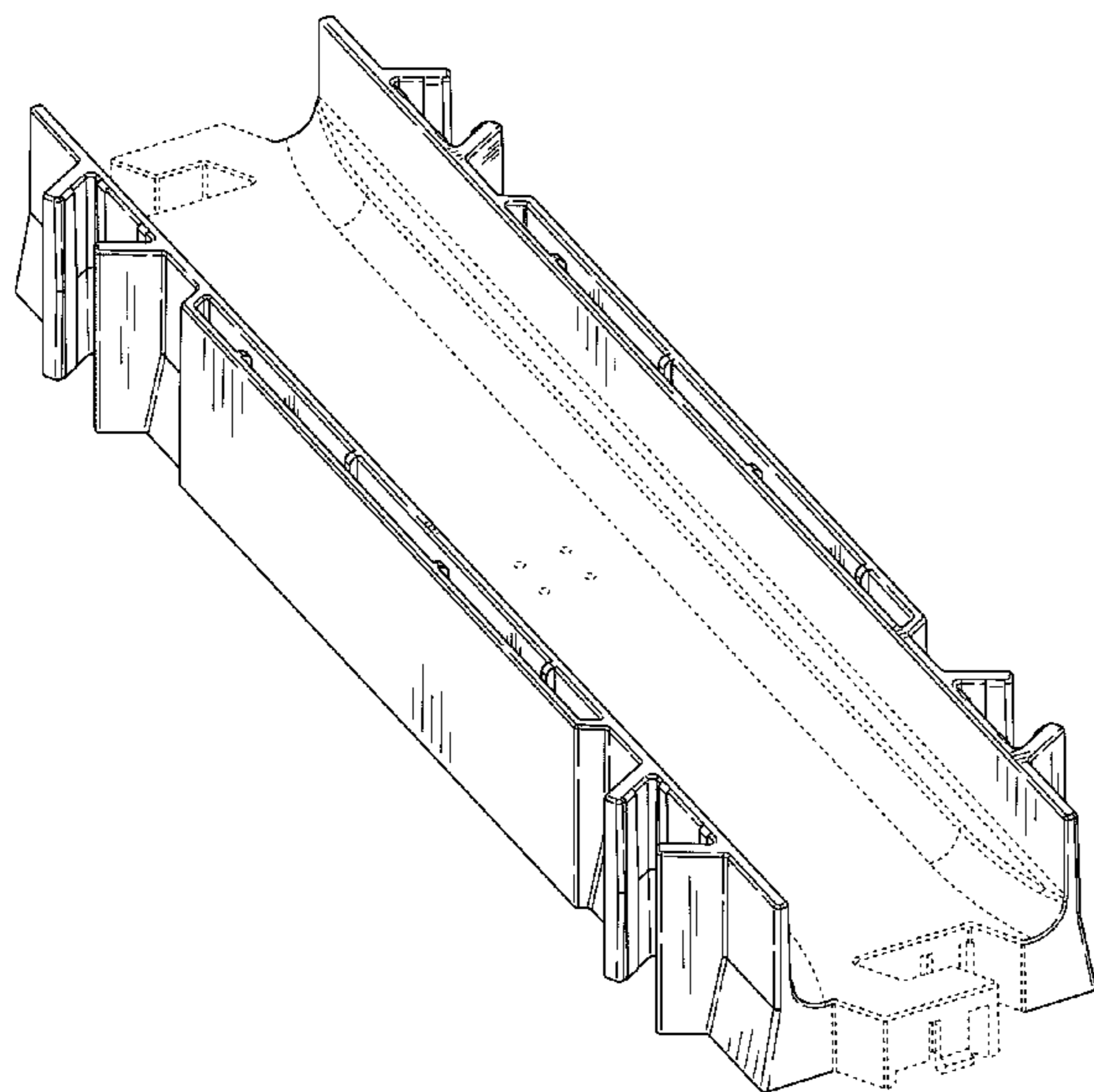
FIG. 6 is a left side view thereof;

FIG. 7 is a right side view thereof; and,

FIG. 8 is a bottom plan view thereof.

The broken lines are for environmental purposes only and form no part of the claimed design.

**1 Claim, 5 Drawing Sheets**



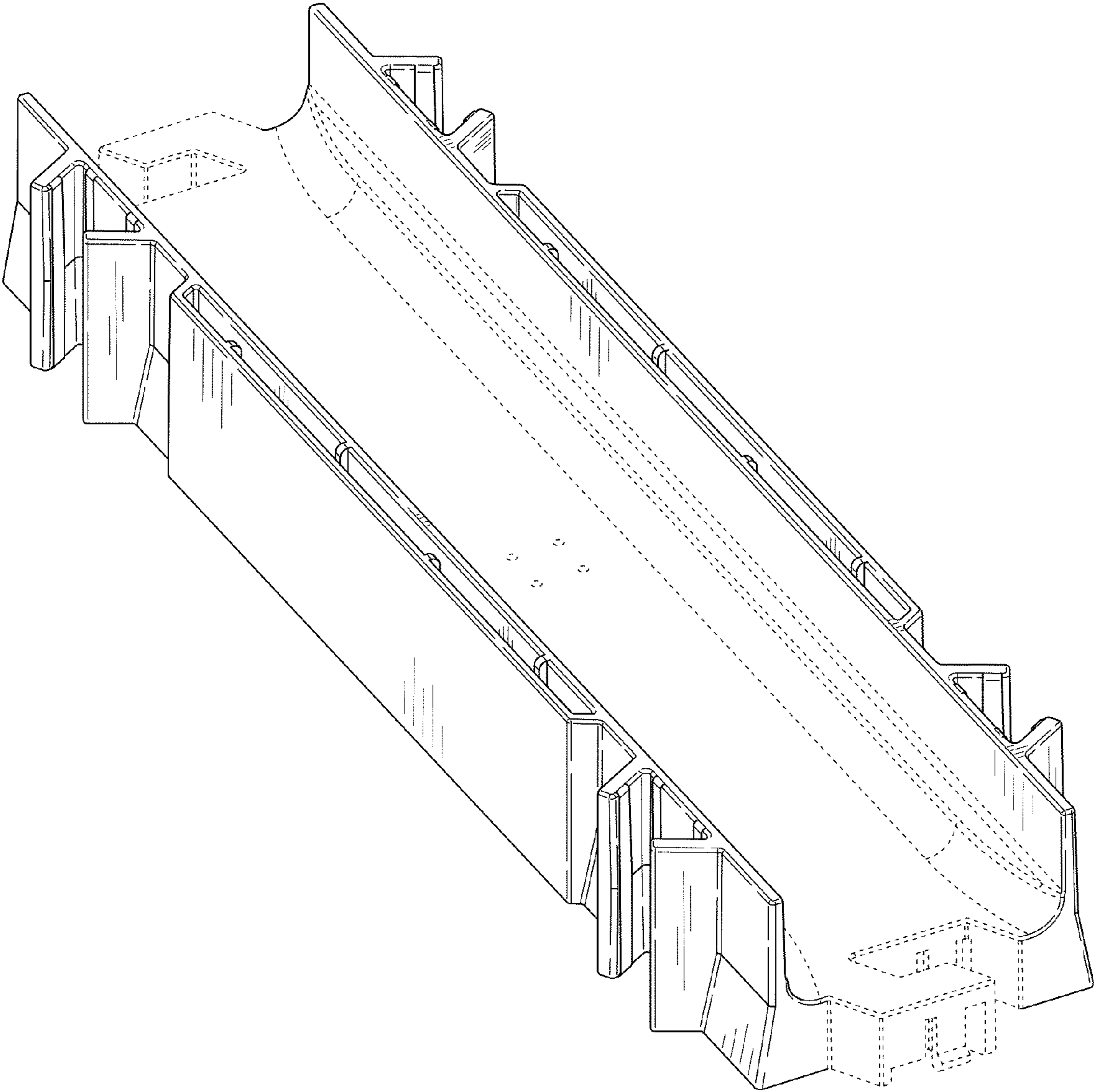


FIG. 1

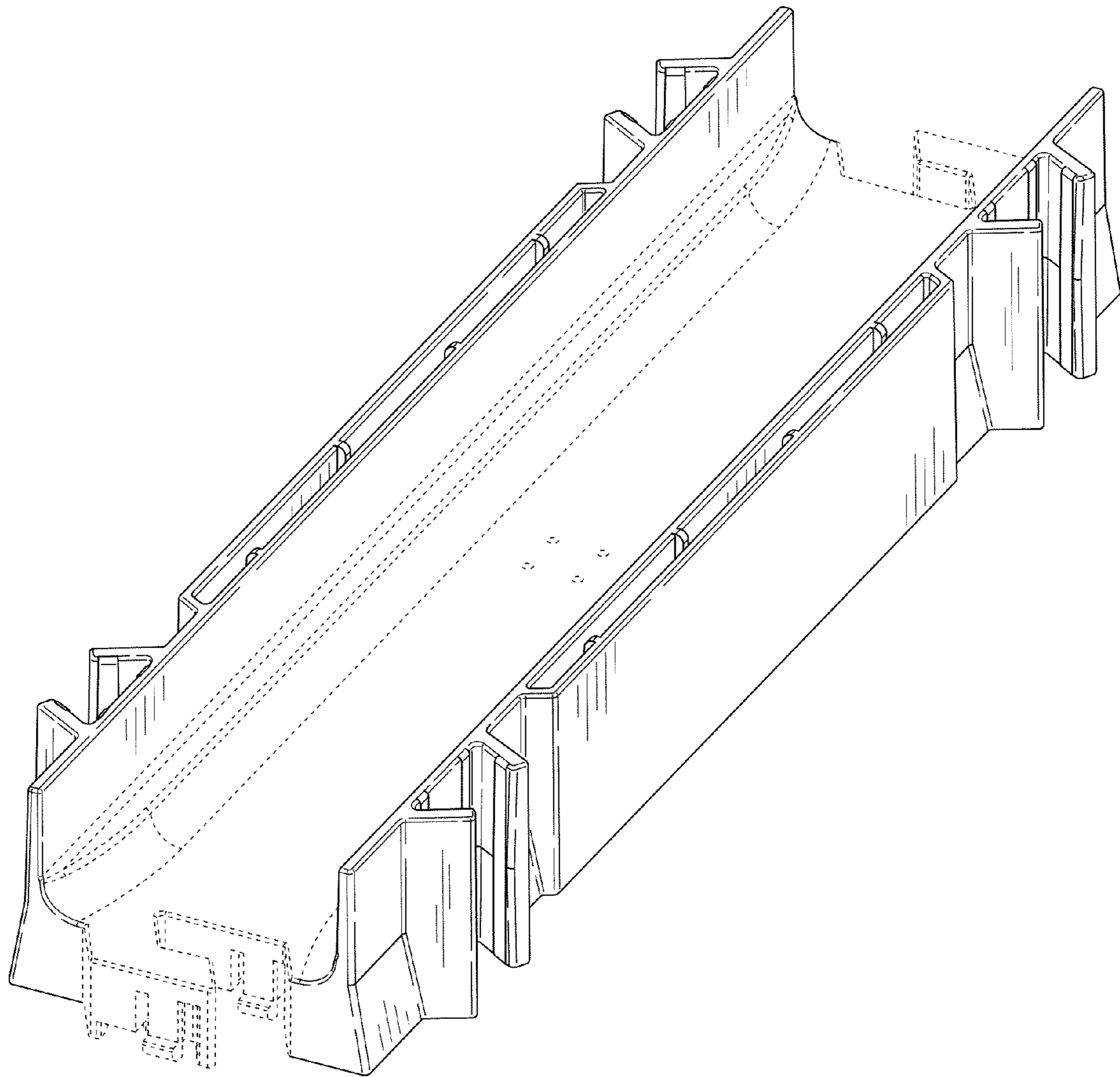


FIG. 2

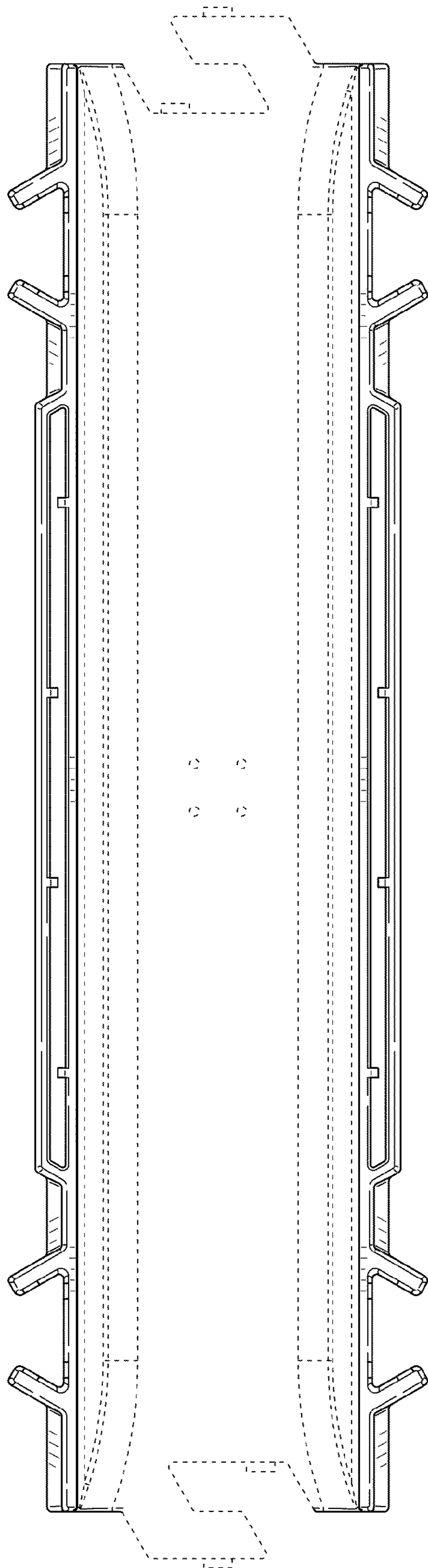


FIG. 3

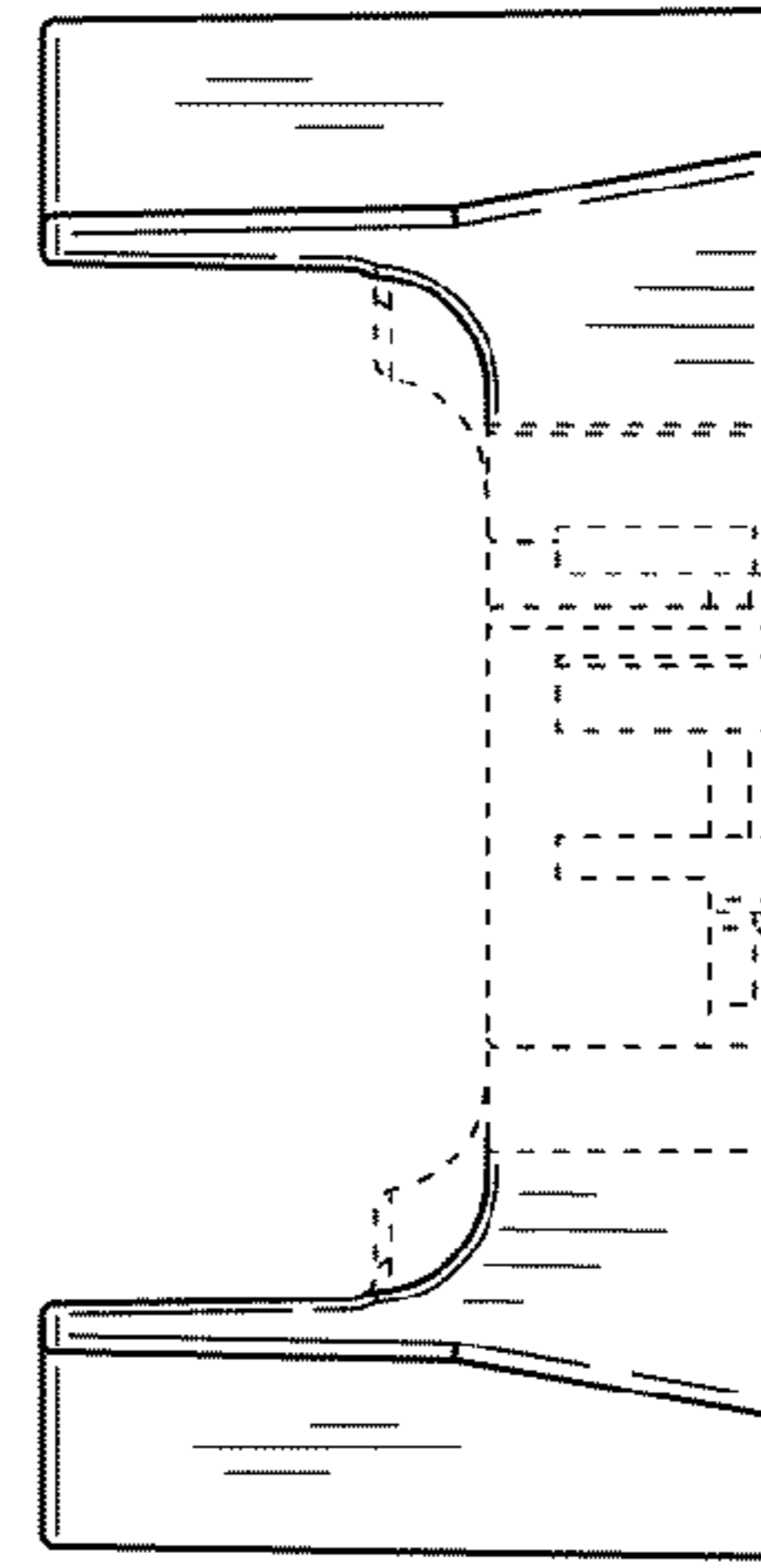


FIG. 5

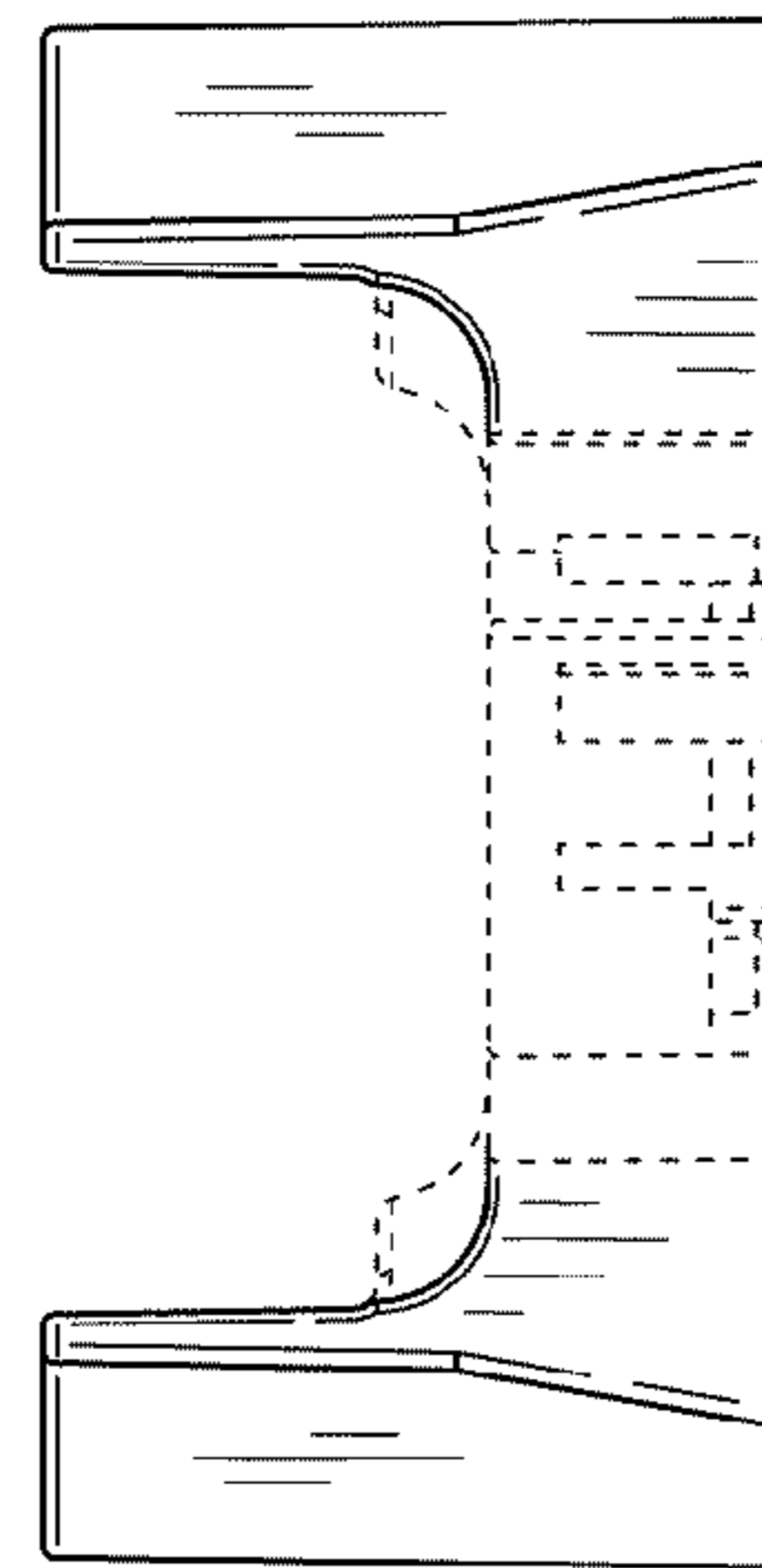


FIG. 4

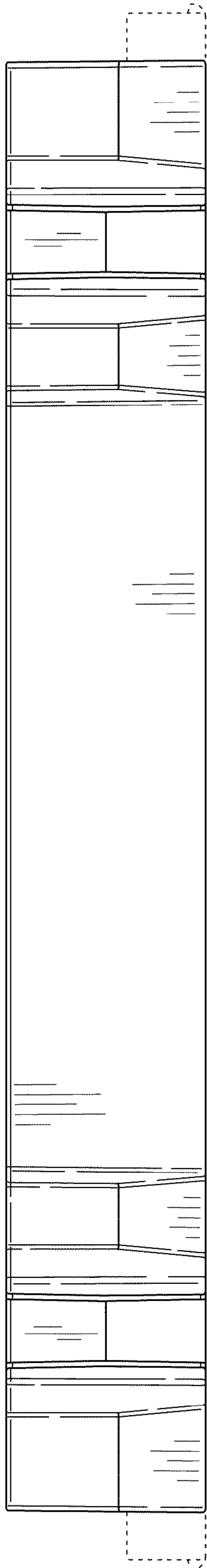


FIG. 6

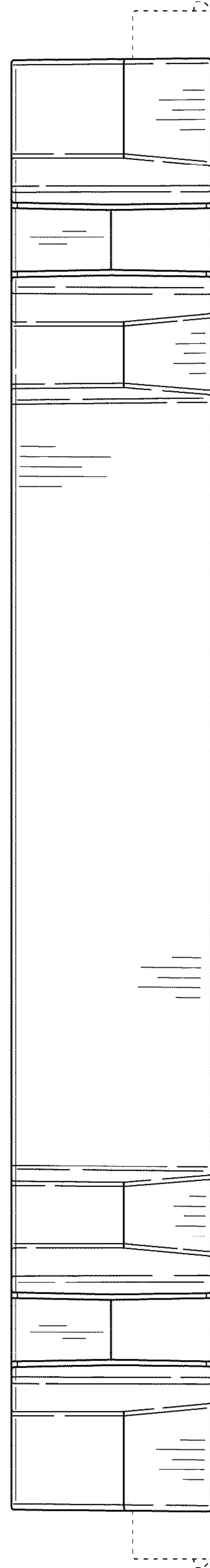


FIG. 7

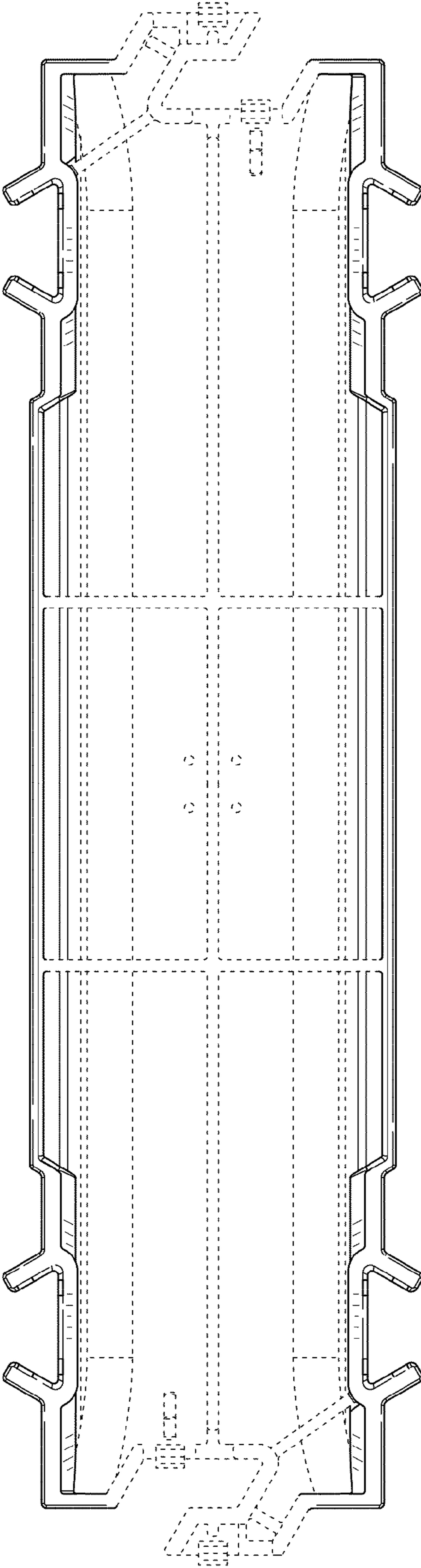


FIG. 8