



US00D644696S

(12) **United States Design Patent**
Mimlitch, III et al.

(10) **Patent No.:** **US D644,696 S**
(45) **Date of Patent:** **** Sep. 6, 2011**

(54) **TOY TRACK**

(75) Inventors: **Robert H. Mimlitch, III**, Rowlett, TX (US); **David Anthony Norman**, Greenville, TX (US); **Douglas Michael Galletti**, Allen, TX (US); **Joel Reagan Carter**, Argyle, TX (US); **Paul David Copioli**, Greenville, TX (US)

(73) Assignee: **Innovation First, Inc.**, Greenville, TX (US)

(**) Term: **14 Years**

(21) Appl. No.: **29/375,629**

(22) Filed: **Sep. 24, 2010**

(51) **LOC (9) Cl.** **21-01**

(52) **U.S. Cl.** **D21/565**

(58) **Field of Classification Search** D21/484,
D21/490, 493, 564, 565, 802, 818, 821;
446/168-174, 84, 89, 108, 112, 114, 116,
446/124-128, 429, 444-447; 463/58-69;
238/10 R, 10 A-10 C, 10 E, 10 F; 104/60,
104/69

See application file for complete search history.

(56) **References Cited**

U.S. PATENT DOCUMENTS

3,343,793 A * 9/1967 Waser 238/10 R
3,379,440 A * 4/1968 Herbert 463/69
3,597,876 A * 8/1971 Haji 446/468

D296,804 S * 7/1988 Bach et al. D21/565
D305,046 S * 12/1989 Klitsner D21/565
D330,231 S * 10/1992 Tachikawa D21/565
D345,997 S * 4/1994 Vadnal D21/565
D355,692 S * 2/1995 Houry et al. D21/818
5,564,962 A * 10/1996 Navarrete Espinosa 446/128
5,657,695 A * 8/1997 Lanoix et al. 238/10 F
D392,363 S * 3/1998 Jonas D21/821
2010/0081356 A1 * 4/2010 Lutchen et al. 446/444
2010/0248586 A1 * 9/2010 Cochella 446/444

* cited by examiner

Primary Examiner — Cynthia M Chin

(74) *Attorney, Agent, or Firm* — Fish & Richardson P.C.

(57) **CLAIM**

The ornamental design for a toy track, as shown and described.

DESCRIPTION

FIG. 1 is a top, front perspective view of a toy track of our new design;

FIG. 2 is a front view thereof;

FIG. 3 is a right side view thereof;

FIG. 4 is a rear view thereof;

FIG. 5 is a left side view thereof;

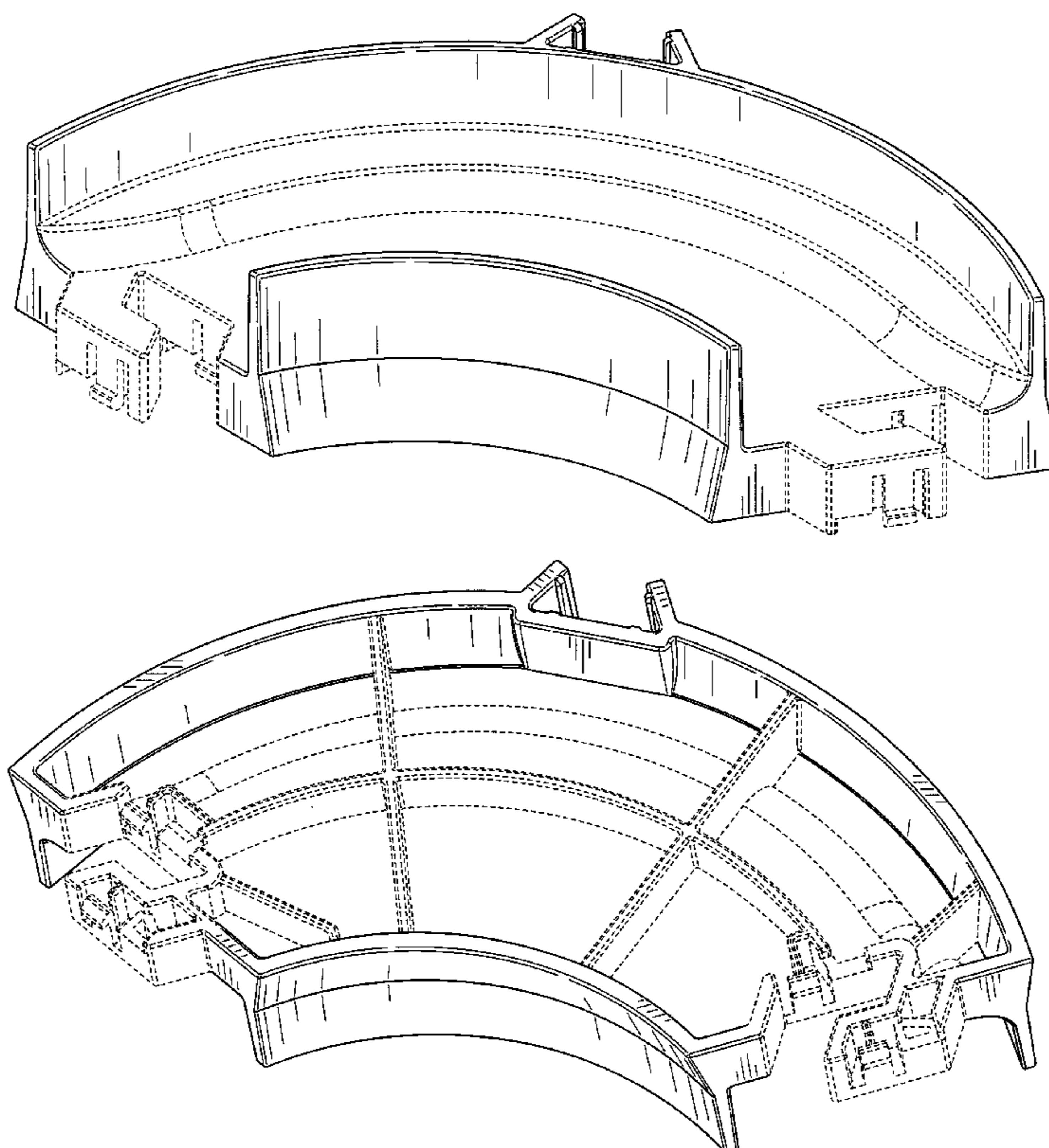
FIG. 6 is a top plan view thereof;

FIG. 7 is a bottom, front perspective view thereof; and,

FIG. 8 is a bottom plan view thereof.

The broken lines are for environmental purposes only and form no part of the claimed design.

1 Claim, 6 Drawing Sheets



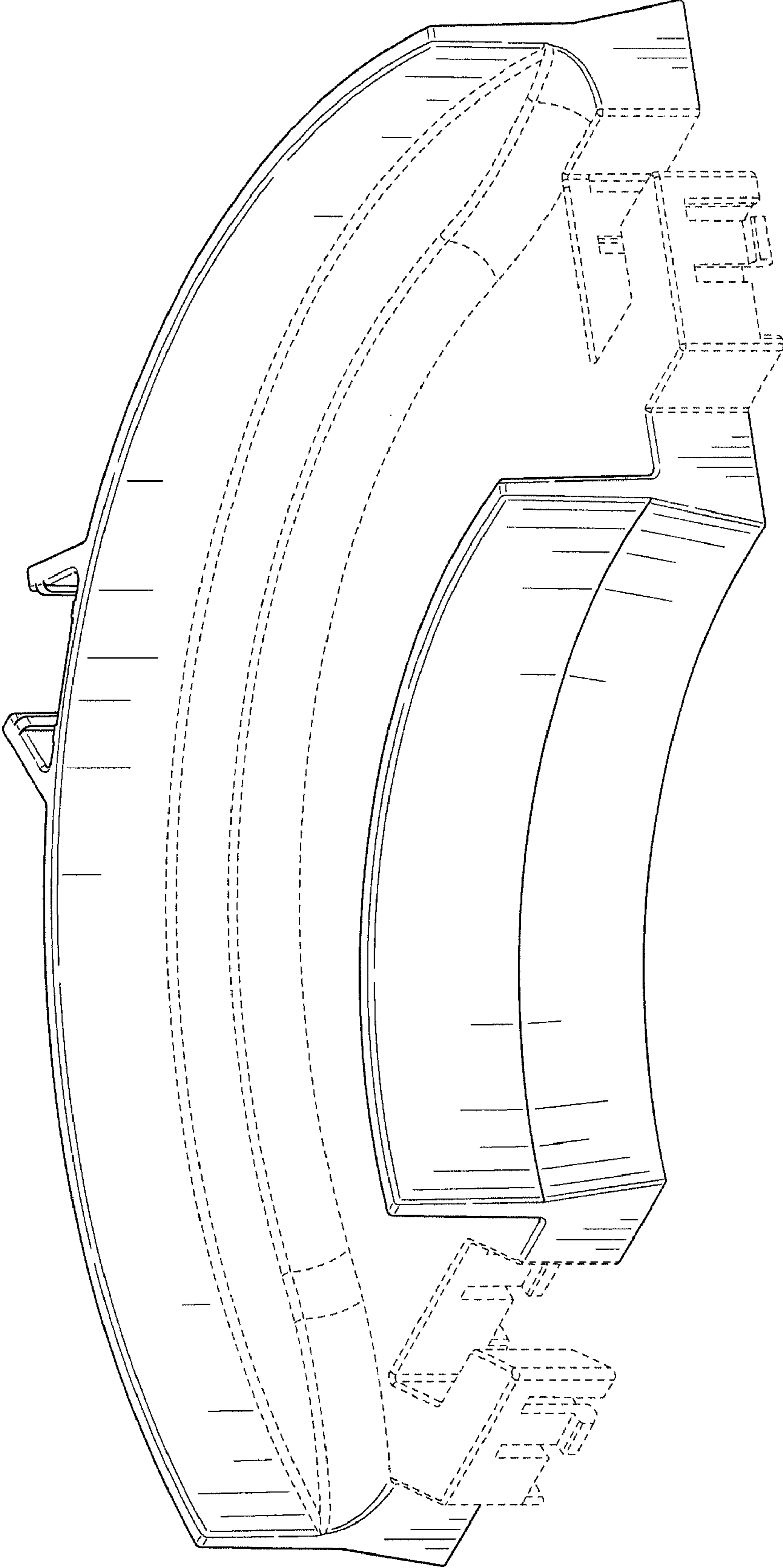


FIG. 1

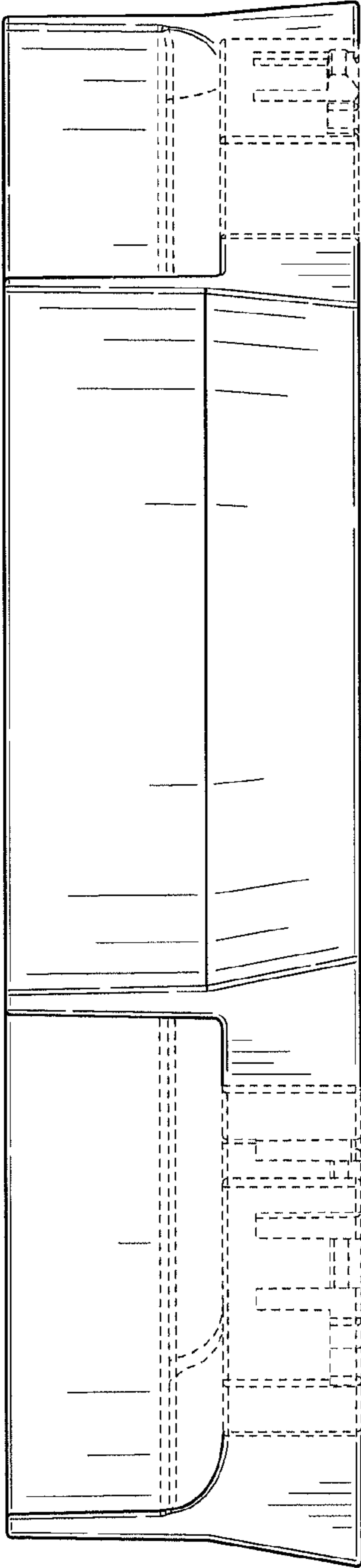


FIG. 2

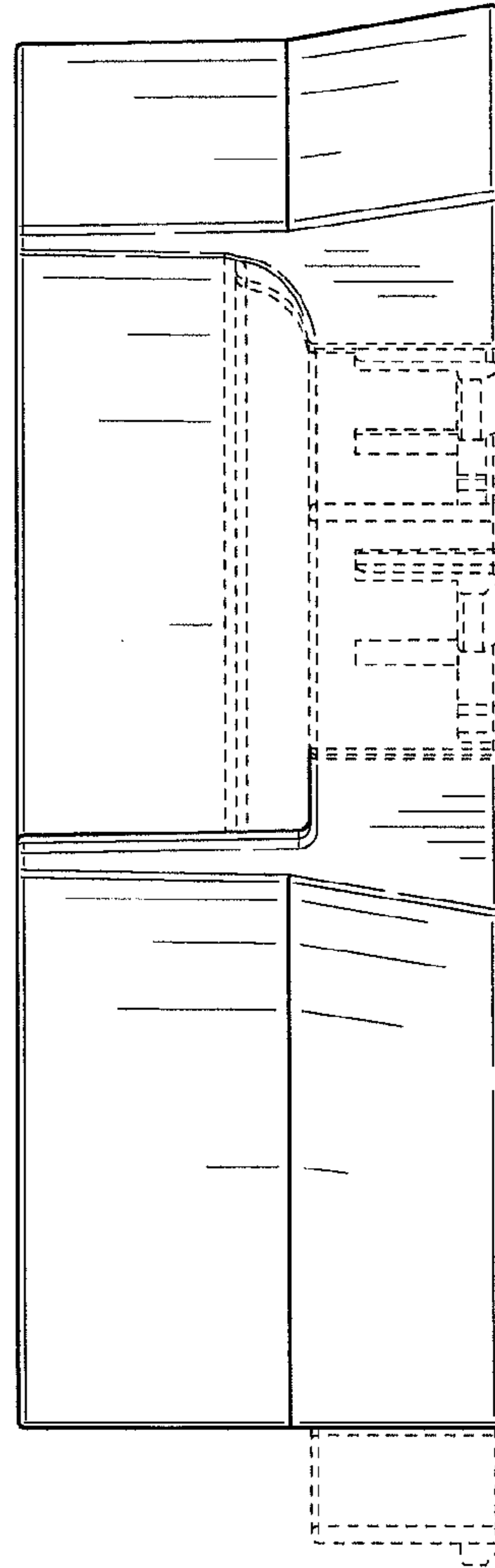


FIG. 3

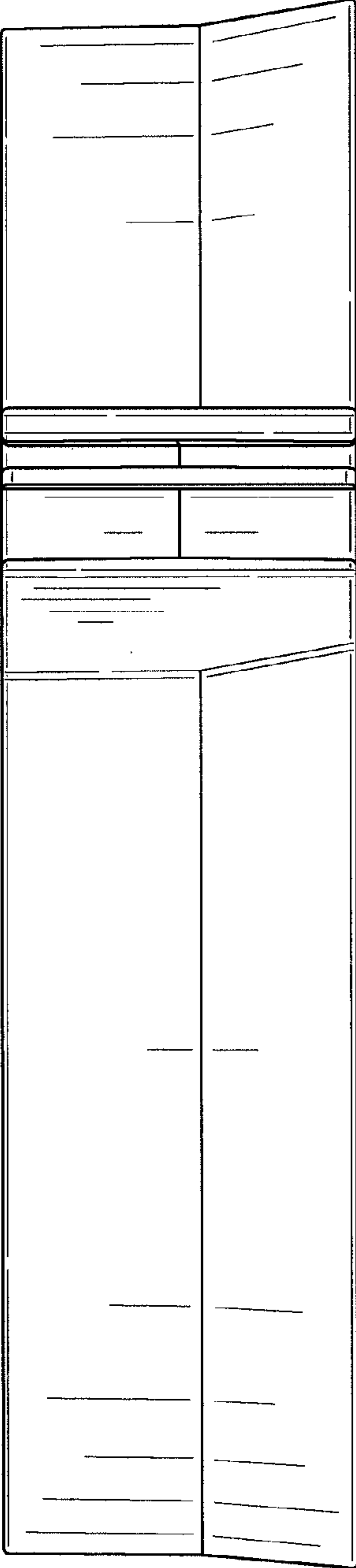


FIG. 4

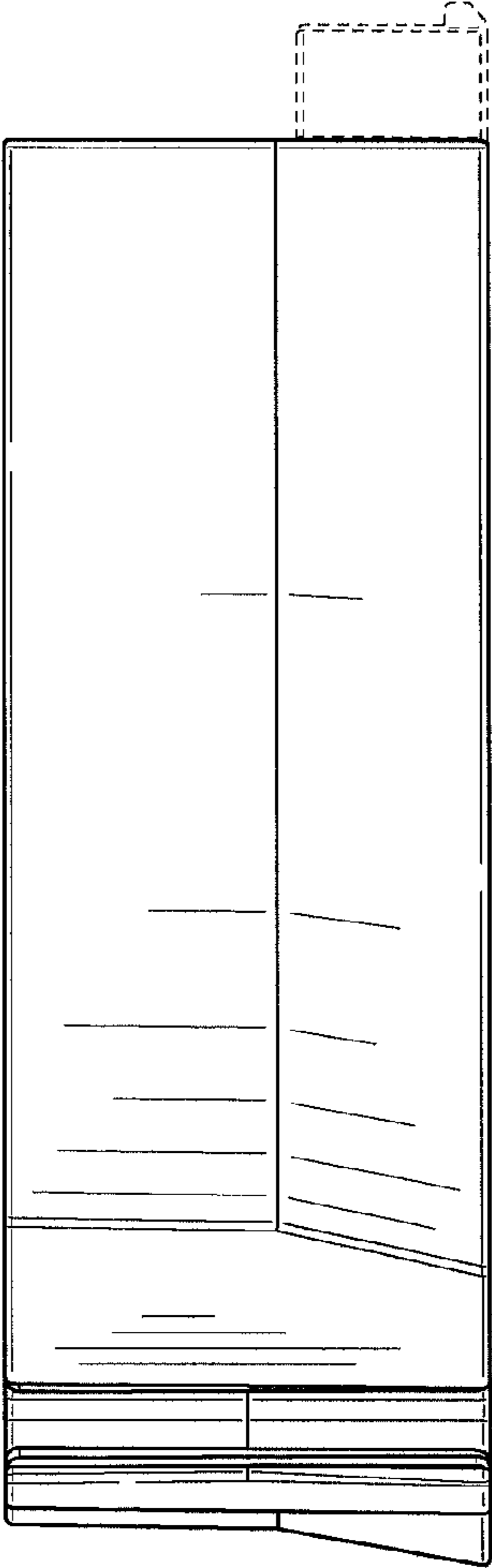


FIG. 5

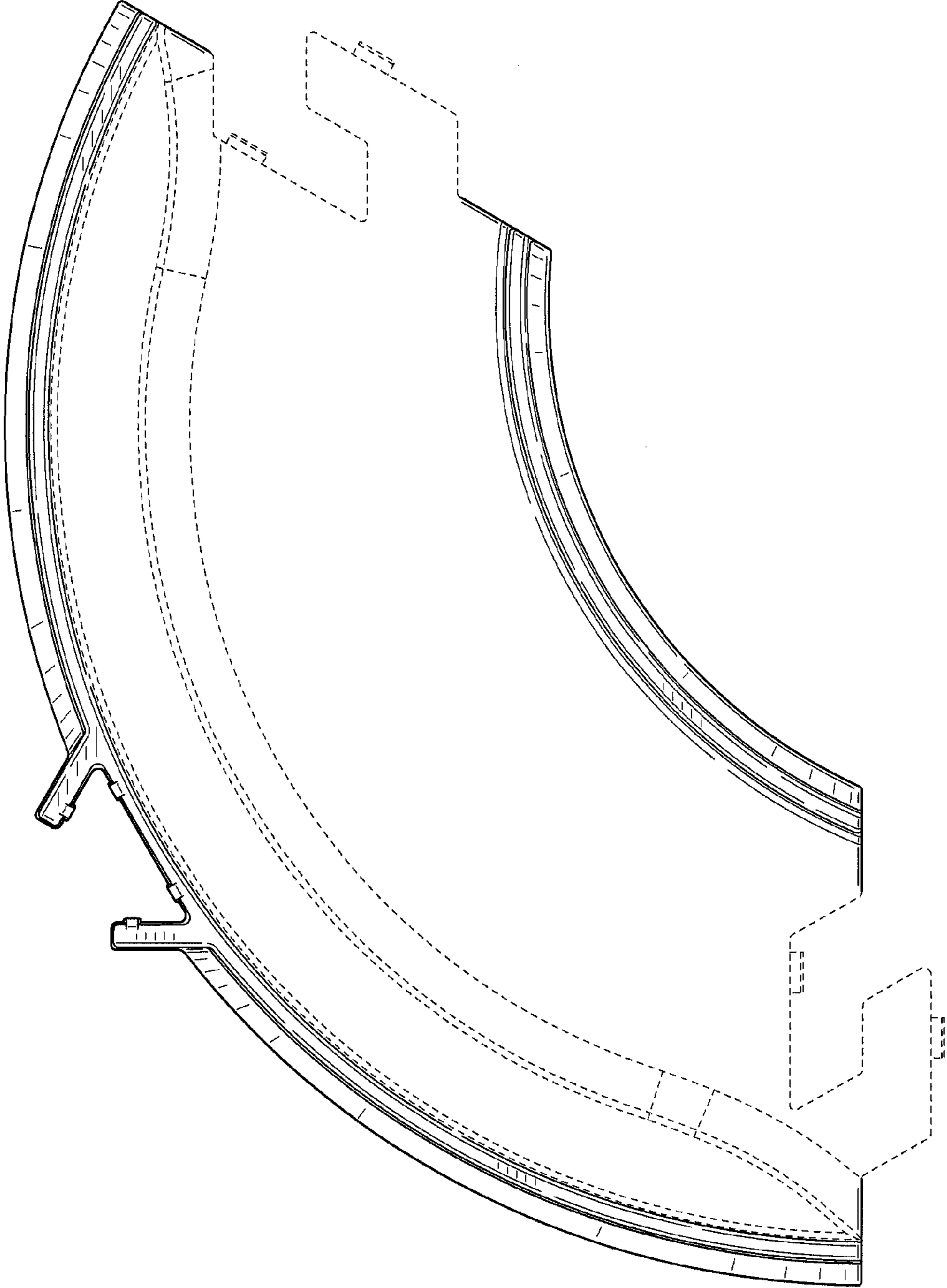


FIG. 6

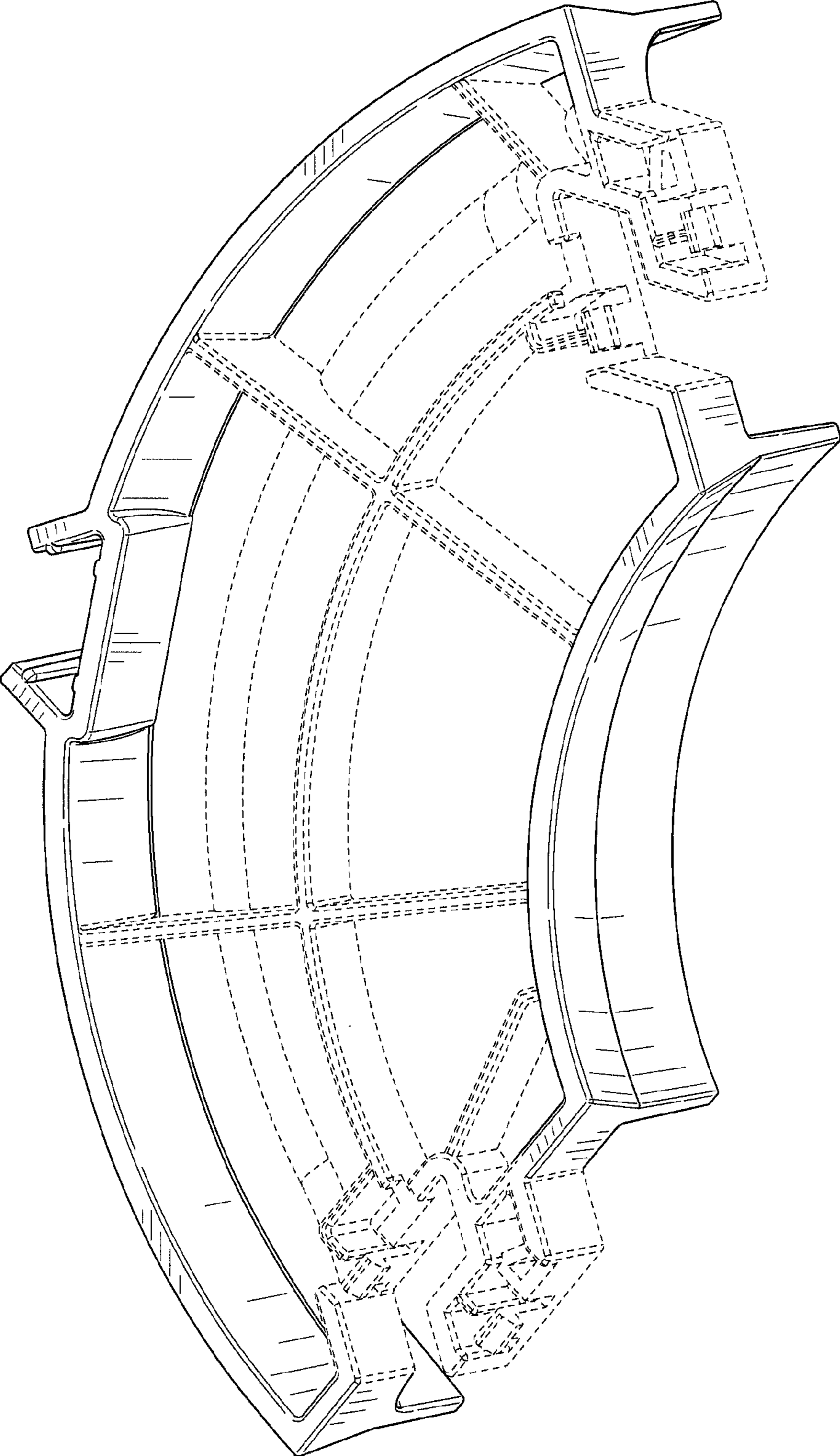


FIG. 7

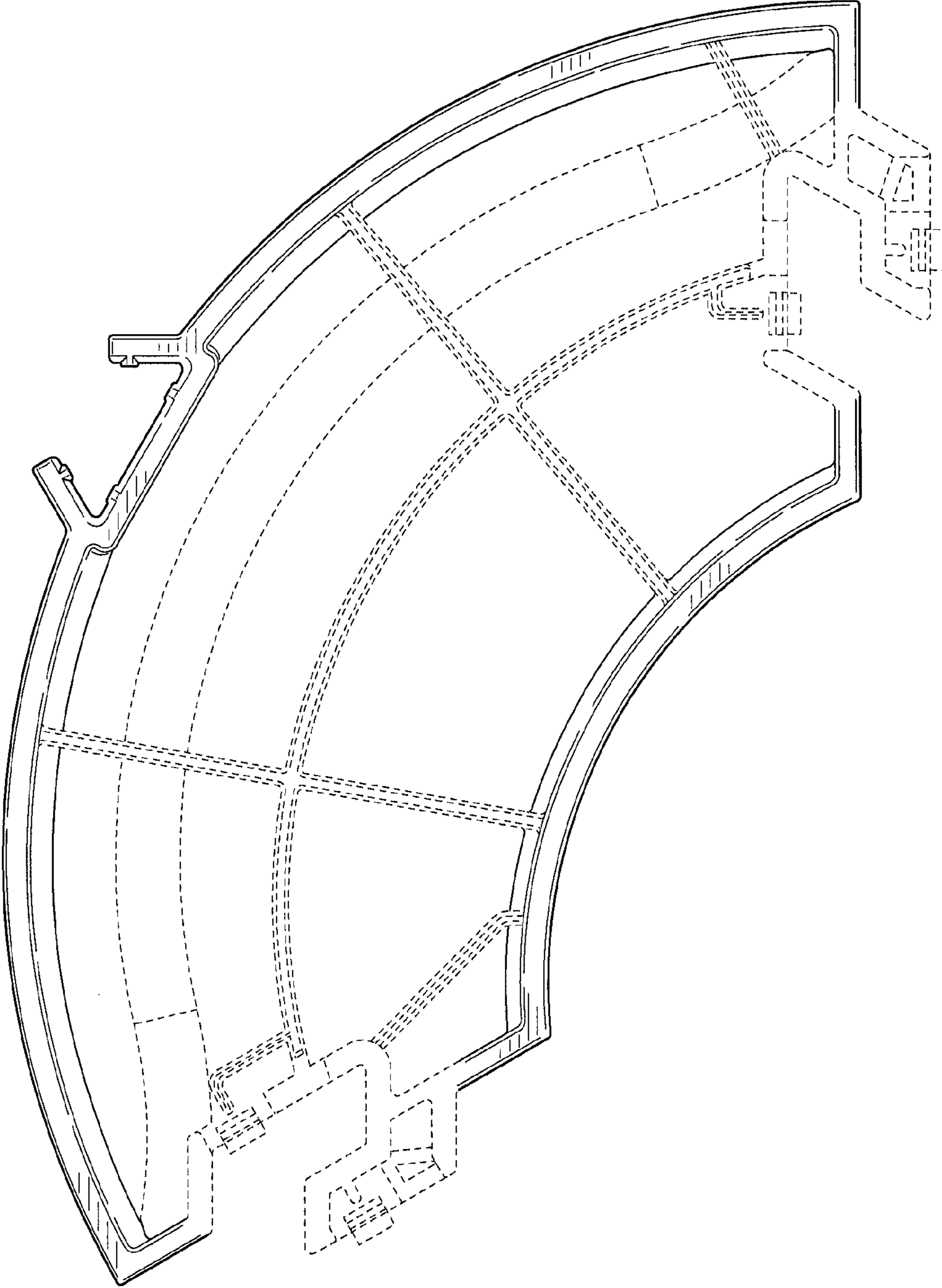


FIG. 8