



US00D644695S

(12) **United States Design Patent**
Falc et al.

(10) **Patent No.:** **US D644,695 S**
(45) **Date of Patent:** **** Sep. 6, 2011**

(54) **CONTROL DEVICE FOR ELECTRONIC GAMES**

(75) Inventors: **Alain Falc**, Lesquin (FR); **Yannick Allaert**, Lesquin (FR); **Mark Liddle**, London (GB)

(73) Assignee: **Bigben Interactive S.A.**, Lesquin (FR)

(**) Term: **14 Years**

(21) Appl. No.: **29/377,327**

(22) Filed: **Oct. 20, 2010**

(30) **Foreign Application Priority Data**

May 6, 2010 (EM) 001705021-0001

(51) **LOC (9) Cl.** **21-01**

(52) **U.S. Cl.** **D21/333; D14/218**

(58) **Field of Classification Search** D14/218, D14/432, 356, 358, 440, 400, 401; D21/332, D21/333, 324, 328; 273/148 B; 463/1, 29-47; D3/218, 301; 361/807-810; 248/689, 690, 248/309.1, 314, 346.01, 346.03, 346.06, 248/346.04; 206/320, 305
See application file for complete search history.

(56) **References Cited**

U.S. PATENT DOCUMENTS

4,969,647 A * 11/1990 Mical et al. 463/31
5,259,676 A * 11/1993 Marti 384/474

5,643,087 A * 7/1997 Marcus et al. 463/38
5,724,106 A * 3/1998 Autry et al. 348/734
5,769,719 A * 6/1998 Hsu 463/37
D559,254 S * 1/2008 Ashida et al. D14/400
D563,409 S * 3/2008 Liu D14/400
D575,285 S * 8/2008 Ashida et al. D14/400
D576,624 S * 9/2008 Ashida et al. D14/400
D577,025 S * 9/2008 Ashida et al. D14/400
D594,066 S * 6/2009 Oikawa et al. D21/333
D616,037 S * 5/2010 Navid et al. D21/333
D619,178 S * 7/2010 Ashida et al. D21/333

* cited by examiner

Primary Examiner — Prabhakar Deshmukh

(74) *Attorney, Agent, or Firm* — Woodard Emhardt Moriarty McNett & Henry LLP

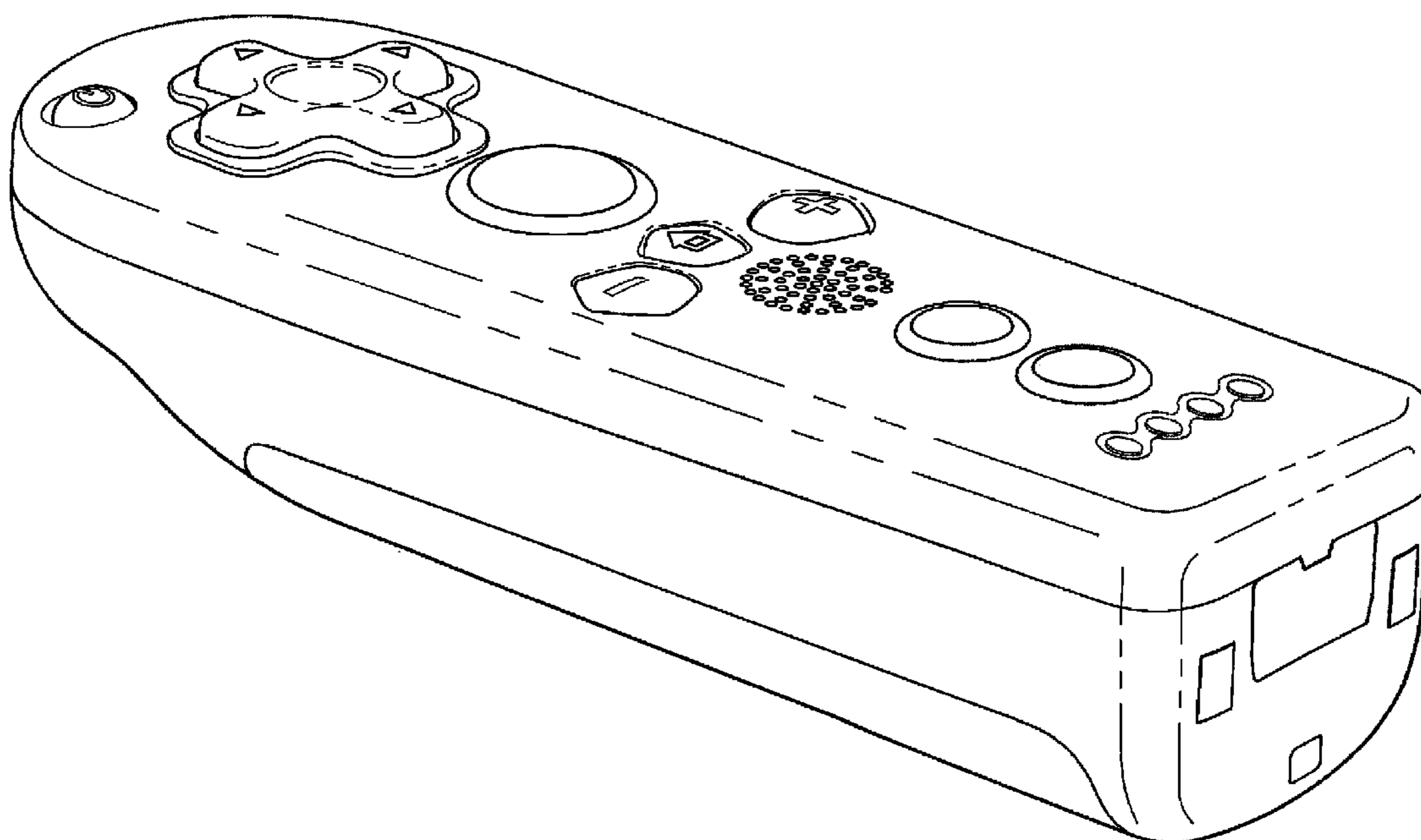
(57) **CLAIM**

The ornamental design for a control device for electronic games, as shown and described.

DESCRIPTION

FIG. 1 is a front elevational view of a control device for electronic games showing our new design; FIG. 2 is a perspective view thereof; FIG. 3 is a left side elevational view thereof; FIG. 4 is a right side elevational view thereof; FIG. 5 is a rear elevational view thereof; FIG. 6 is a bottom plan view thereof; and, FIG. 7 is a top plan view thereof.

1 Claim, 6 Drawing Sheets



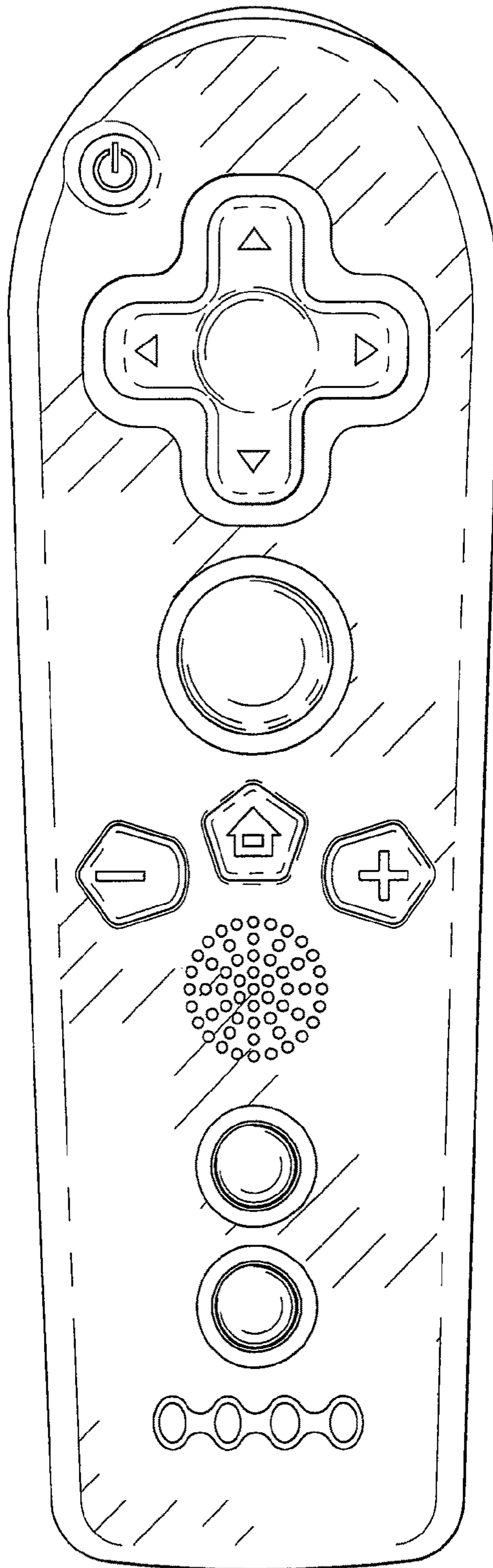


Fig. 1

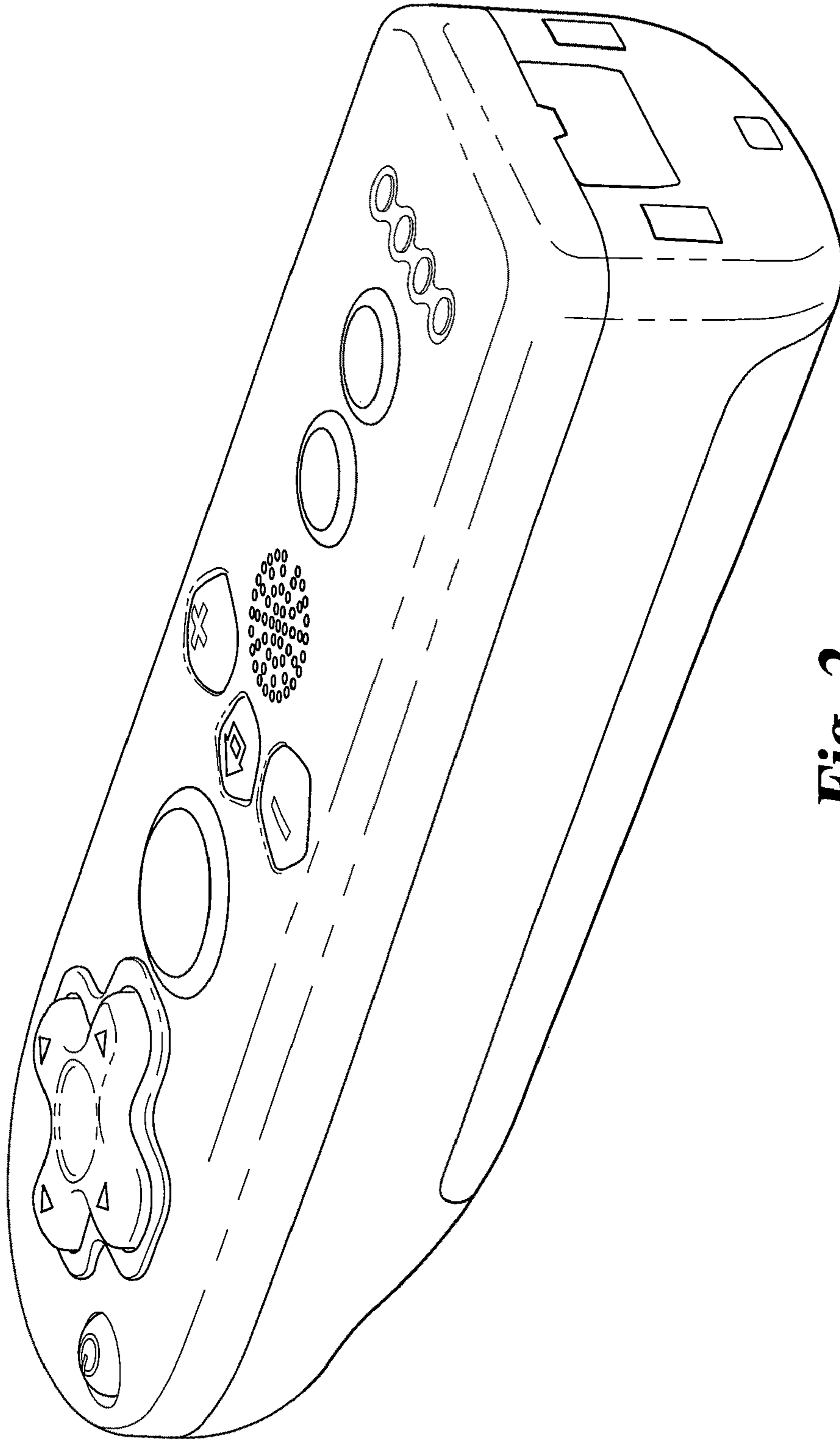


Fig. 2

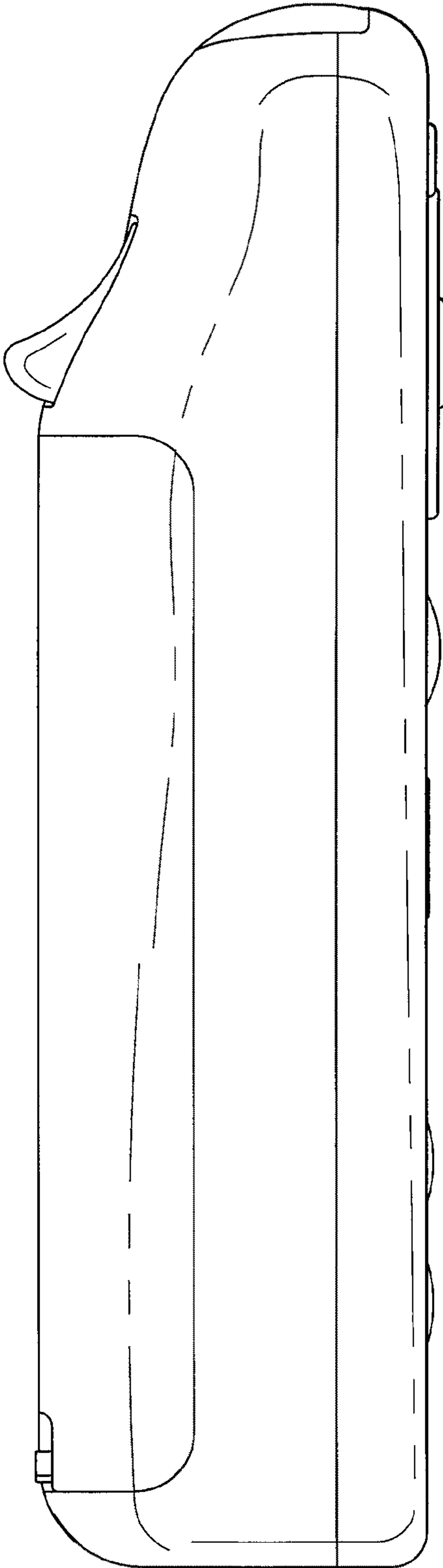


Fig. 3

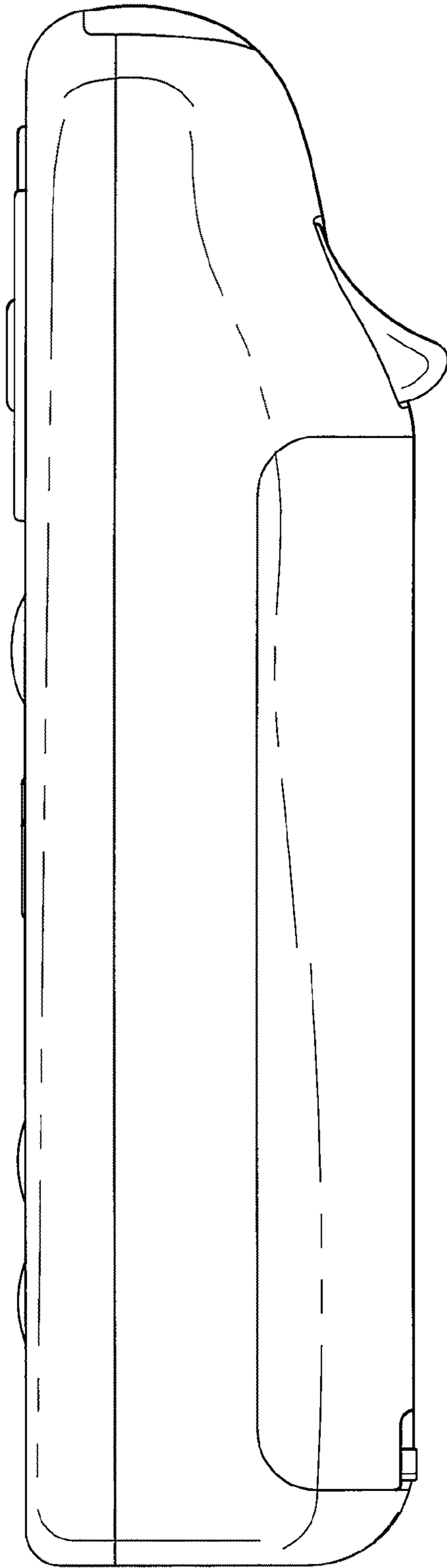


Fig. 4

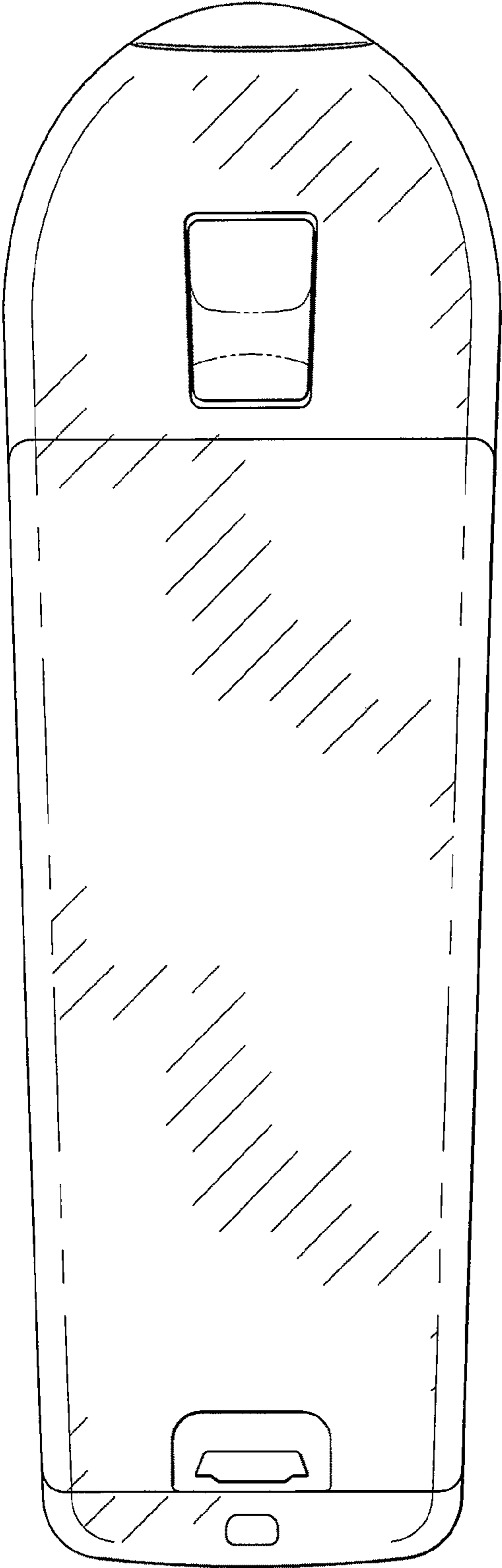


Fig. 5

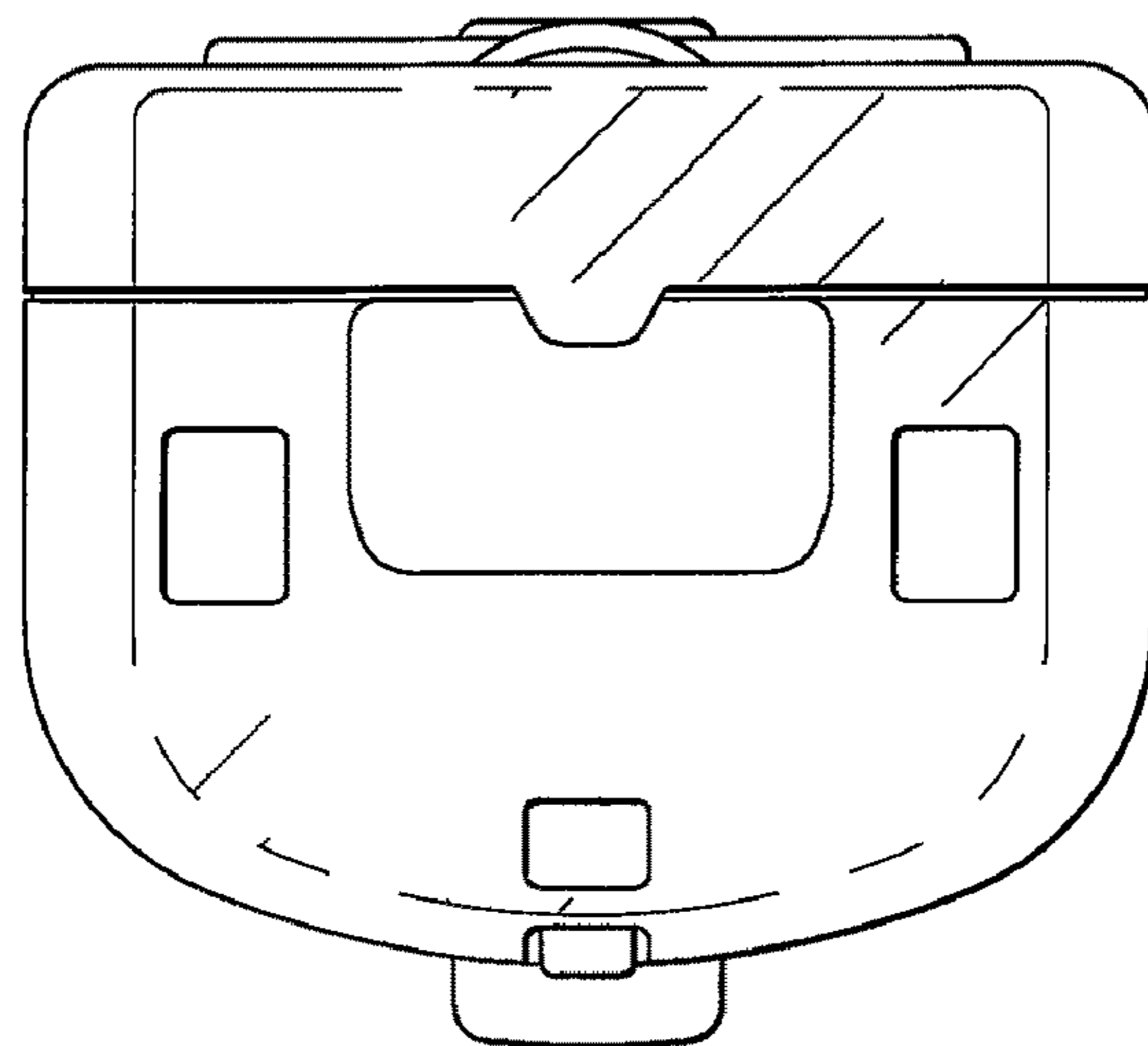


Fig. 6

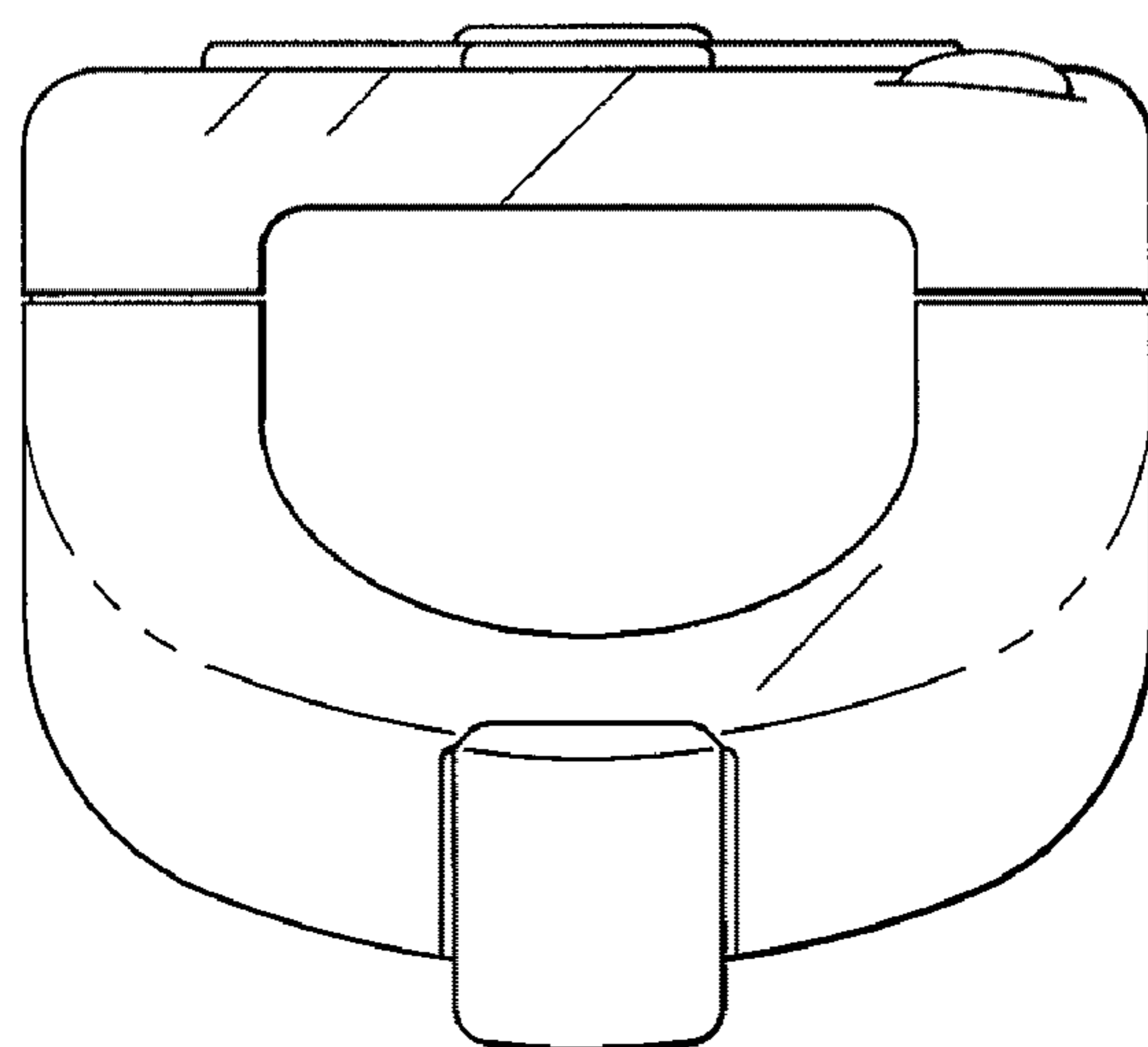


Fig. 7