



US00D644694S

(12) **United States Design Patent**
Liang et al.

(10) **Patent No.:** **US D644,694 S**

(45) **Date of Patent:** **** Sep. 6, 2011**

(54) **VERTICAL/HORIZONTAL DESKTOP SIGN HOLDER**

(75) Inventors: **James Liang**, Foshan (CN); **Luckie Gao**, Foshan (CN); **Danielle Rodgers**, Indianapolis, IN (US)

(73) Assignee: **Deflecto, LLC**, Indianapolis, IN (US)

(**) Term: **14 Years**

(21) Appl. No.: **29/384,009**

(22) Filed: **Jan. 25, 2011**

(51) **LOC (9) Cl.** **20-02**

(52) **U.S. Cl.** **D20/43**

(58) **Field of Classification Search** D20/10, D20/13, 15, 19, 40, 42-44, 99; 40/124.01, 40/299.01, 341, 611.12, 642.02, 646-653, 40/654.01, 655, 658, 661, 661.01-661.04, 40/661.06-661.09, 661.11, 661.12, 700, 40/745, 747, 750, 763, 765; D6/300, 310, D6/314; D19/52, 91

See application file for complete search history.

(56) **References Cited**

U.S. PATENT DOCUMENTS

896,753	A *	8/1908	Peterson	40/747
1,837,348	A *	12/1931	Ware	40/763
D213,625	S *	3/1969	Jensen	D19/52
D272,547	S *	2/1984	Gordon	D19/91
4,442,617	A *	4/1984	Frye et al.	40/750
5,331,757	A *	7/1994	Ernest et al.	40/611.12
D375,980	S *	11/1996	Current	D20/40
D395,678	S *	6/1998	Treille	D20/41

D396,562	S *	8/1998	Kenney	D6/314
D462,181	S *	9/2002	Vandenbussche	D6/310
D495,370	S *	8/2004	Loerop et al.	D20/10
D548,796	S *	8/2007	Sachnoff	D20/43
D577,075	S	9/2008	Bode		
D616,501	S *	5/2010	Maier-Hunke	D20/10

* cited by examiner

Primary Examiner — Mary Ann Calabrese

(74) *Attorney, Agent, or Firm* — SNR Denton US LLP; Brian R. McGinley; Anne K. W. Sutton

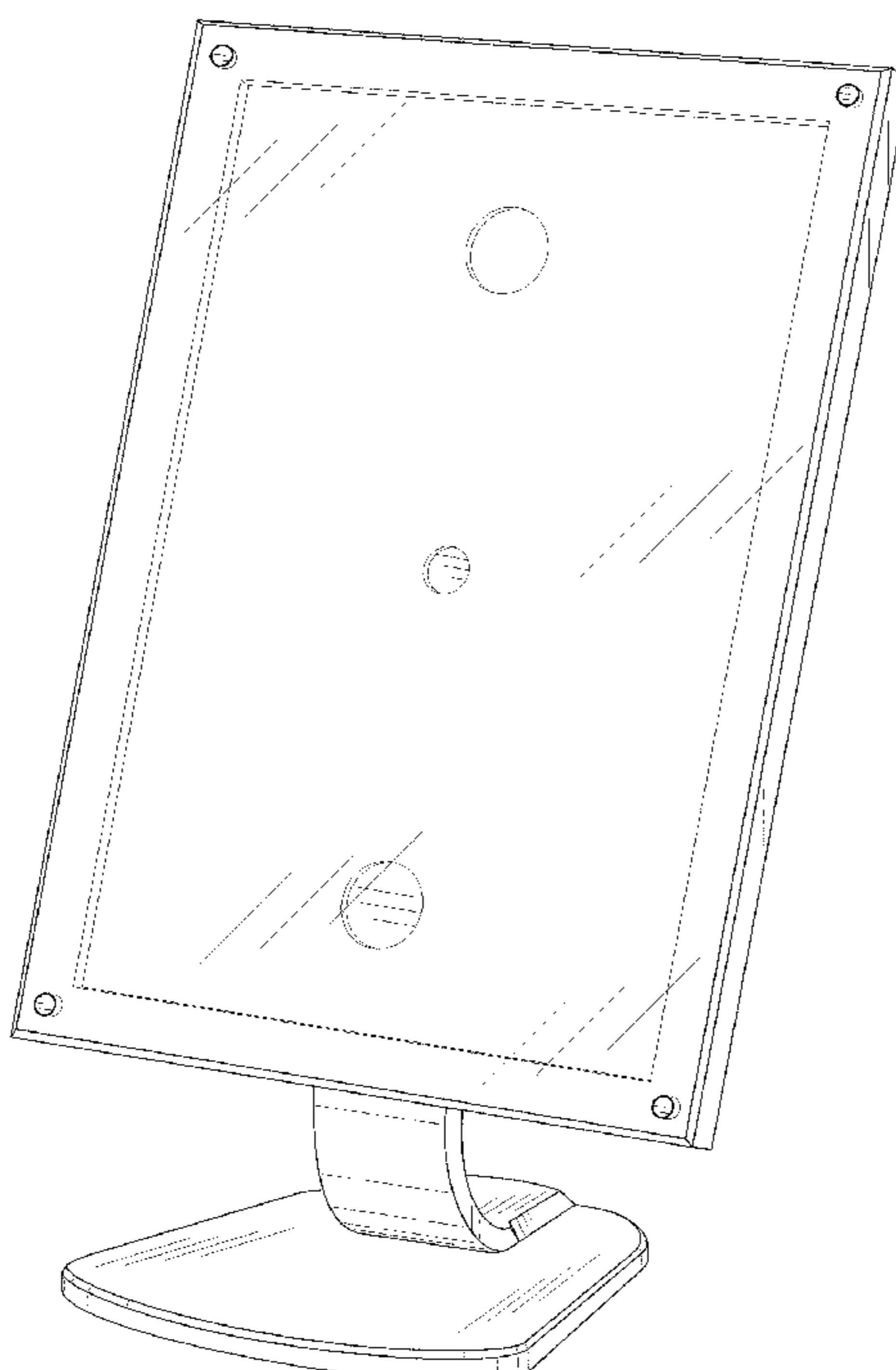
(57) **CLAIM**

The ornamental design for a vertical/horizontal desktop sign holder, as shown and described.

DESCRIPTION

FIG. 1 is a front elevational view of the vertical/horizontal desktop sign holder illustrating the new design; FIG. 2 is a right side view of the vertical/horizontal desktop sign holder illustrated in FIG. 1 (the left side view is a mirror image of FIG. 2); FIG. 3 is a rear view of the vertical/horizontal desktop sign holder illustrated in FIG. 1; FIG. 4 is a top view of the vertical/horizontal desktop sign holder illustrated in FIG. 1; FIG. 5 is a bottom view of the vertical/horizontal desktop sign holder shown in FIG. 1; FIG. 6 is a front perspective view of the vertical/horizontal desktop sign holder illustrated in FIG. 1; and, FIG. 7 is a rear perspective view of the vertical/horizontal desktop sign holder illustrated in FIG. 1. In the drawings, the broken lines represent features that form no part of the claimed design.

1 Claim, 5 Drawing Sheets



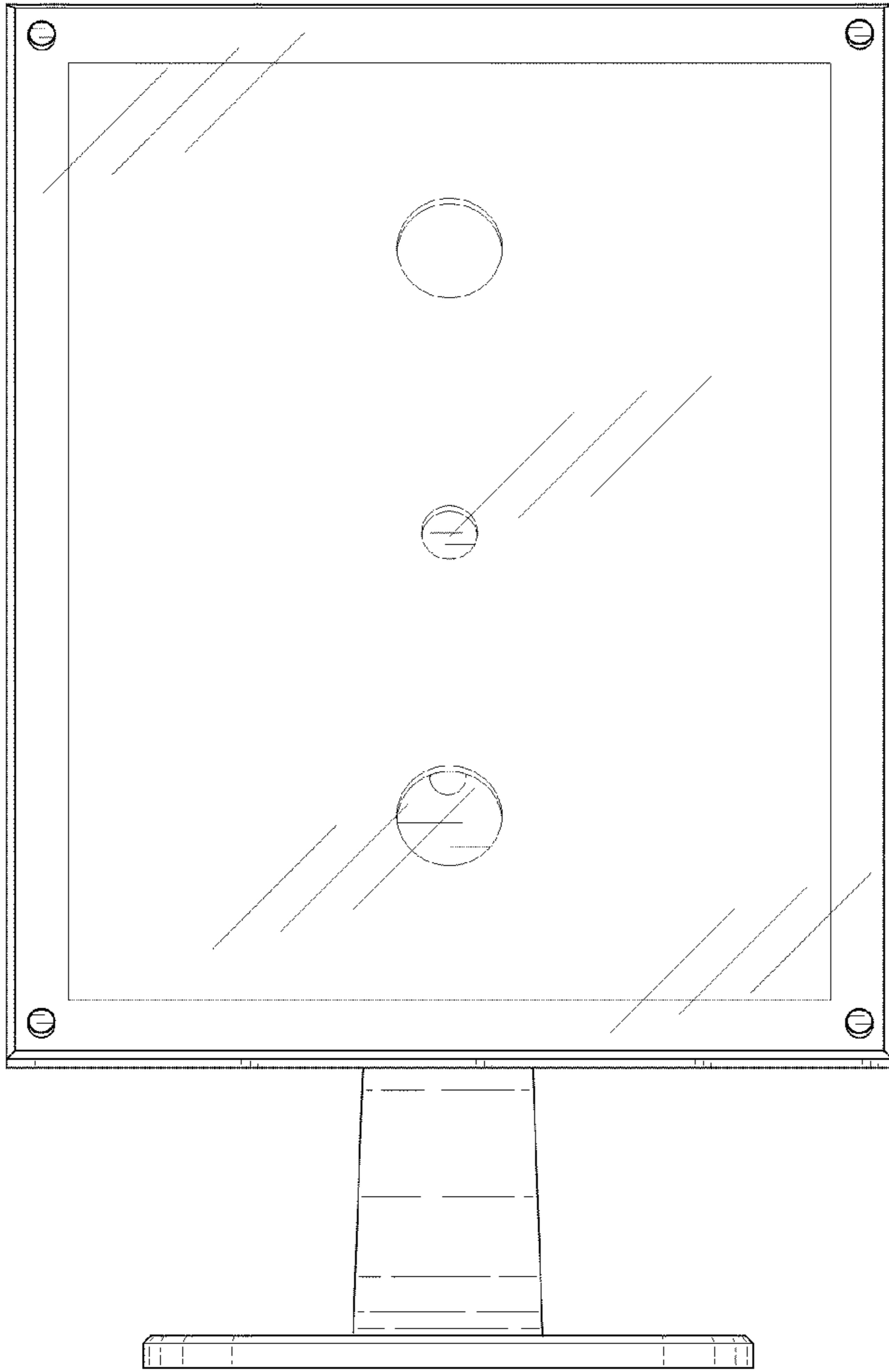


Fig. 1

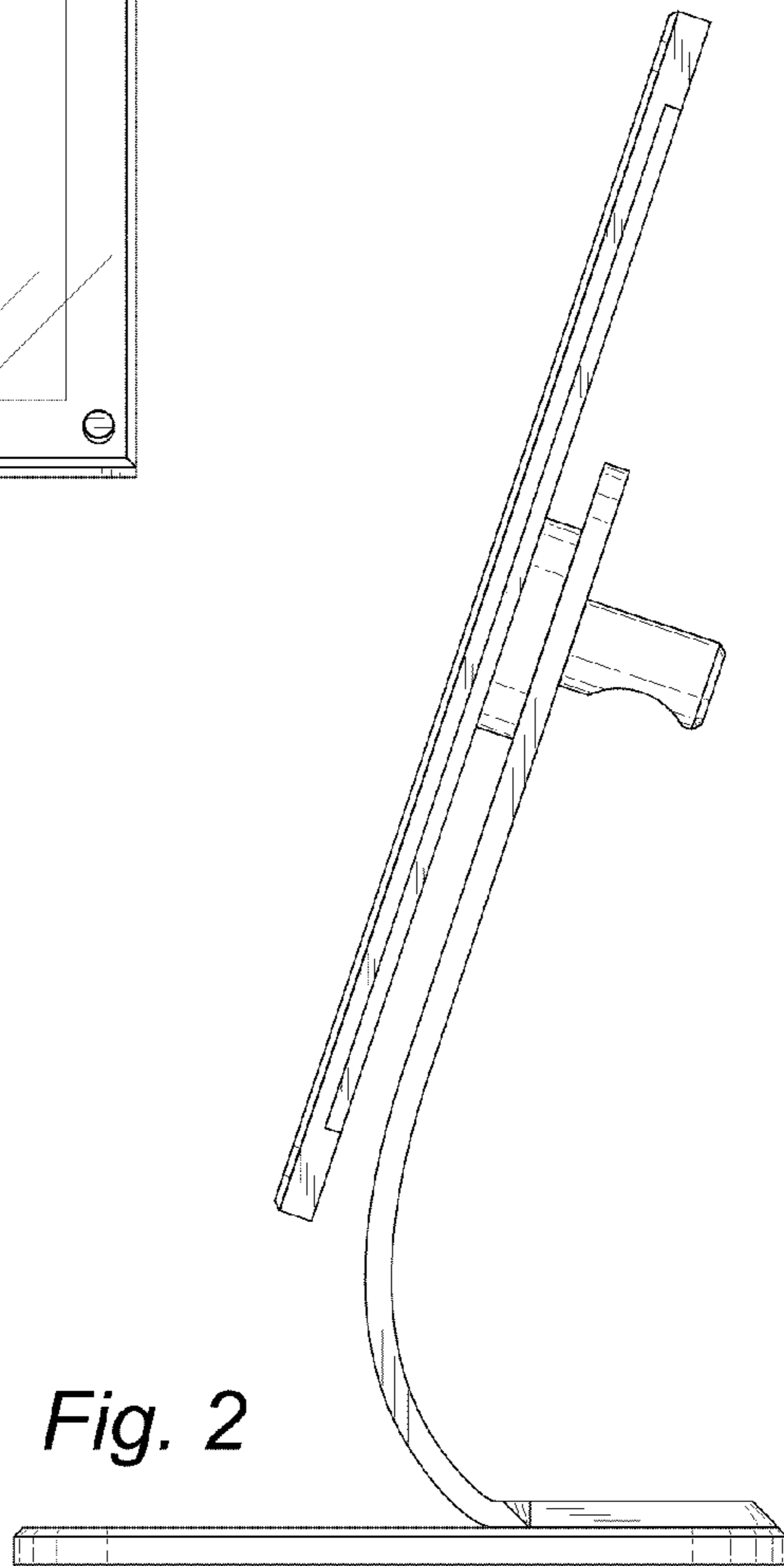


Fig. 2

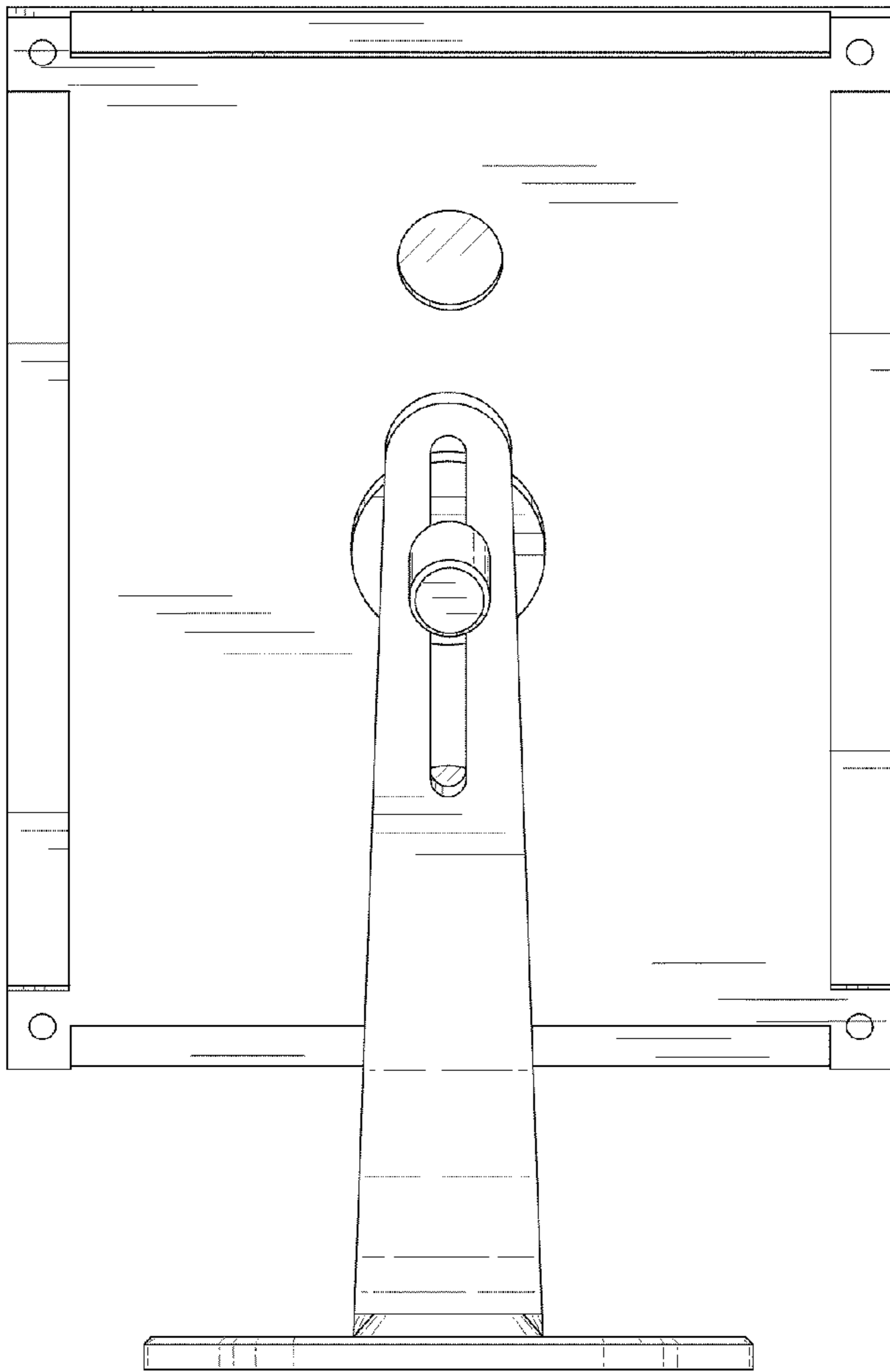


Fig. 3

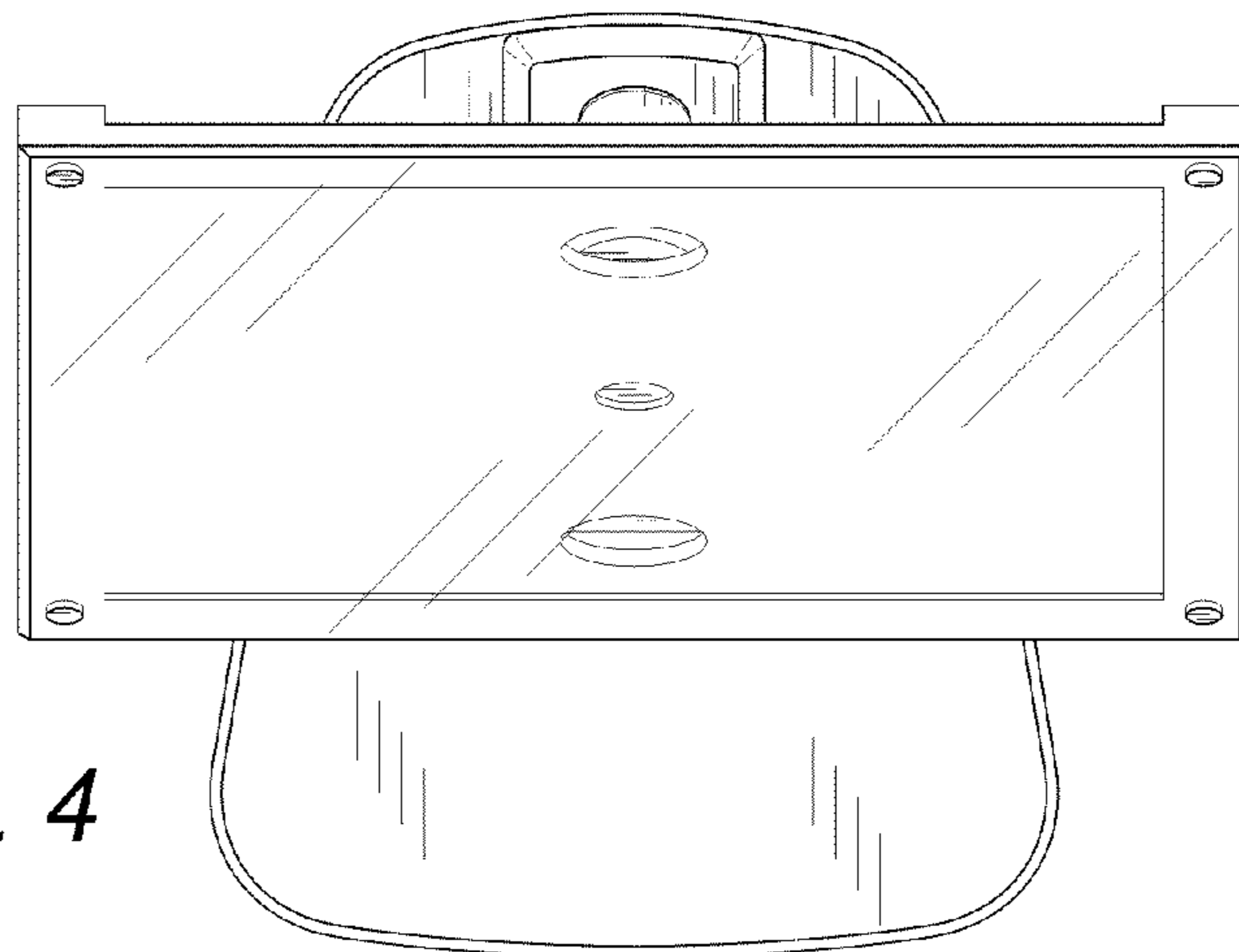


Fig. 4

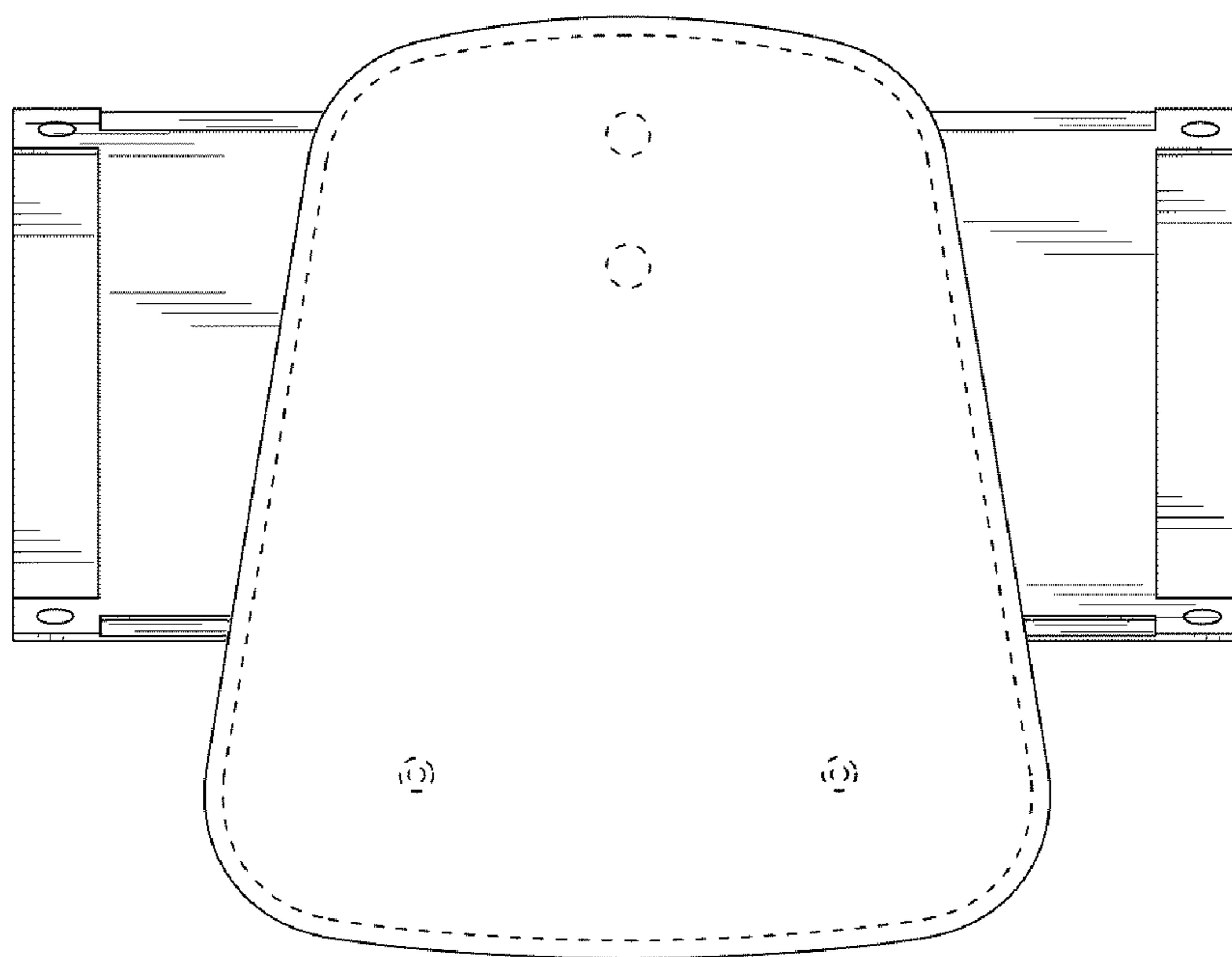


Fig. 5

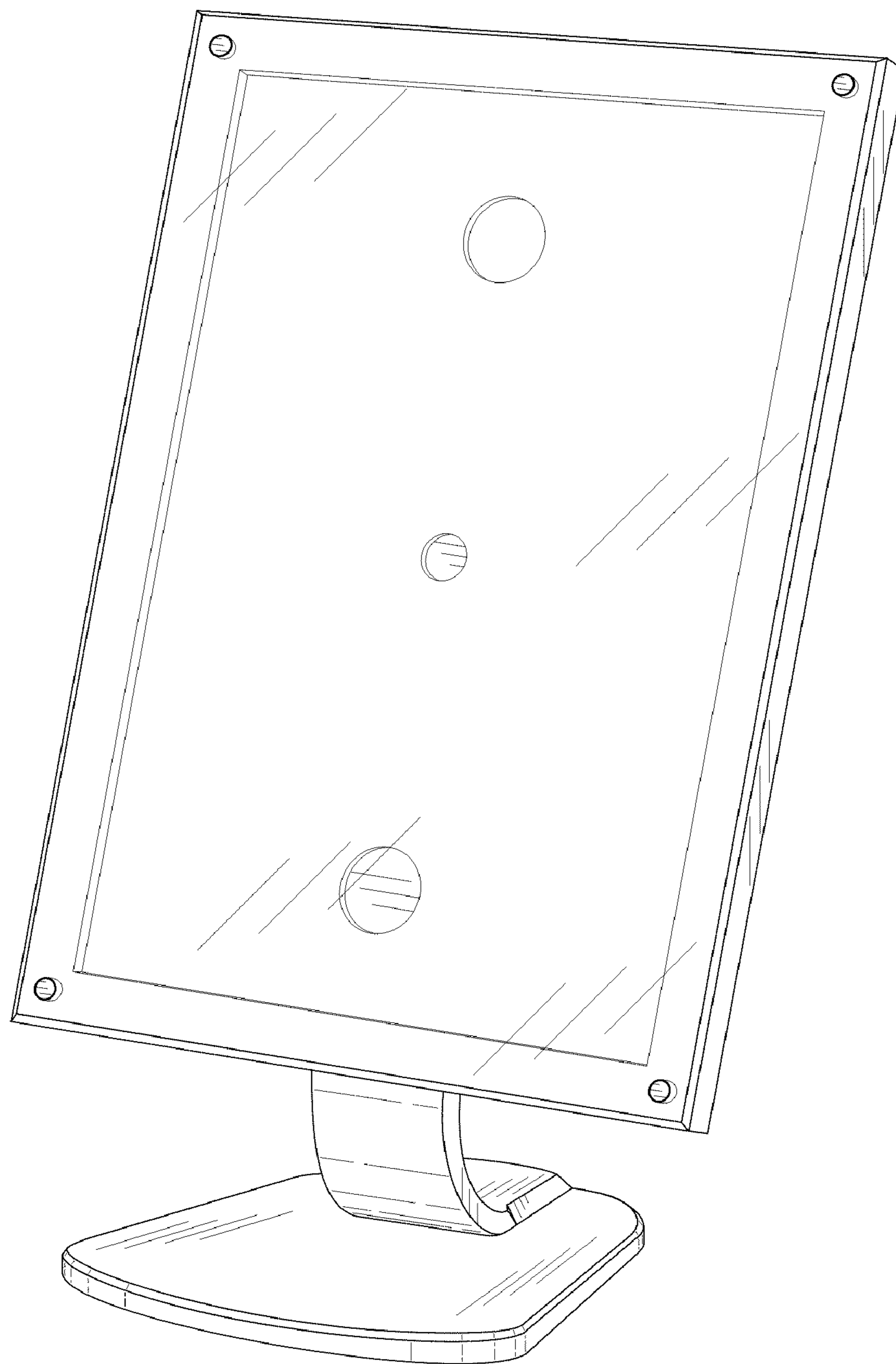


Fig. 6

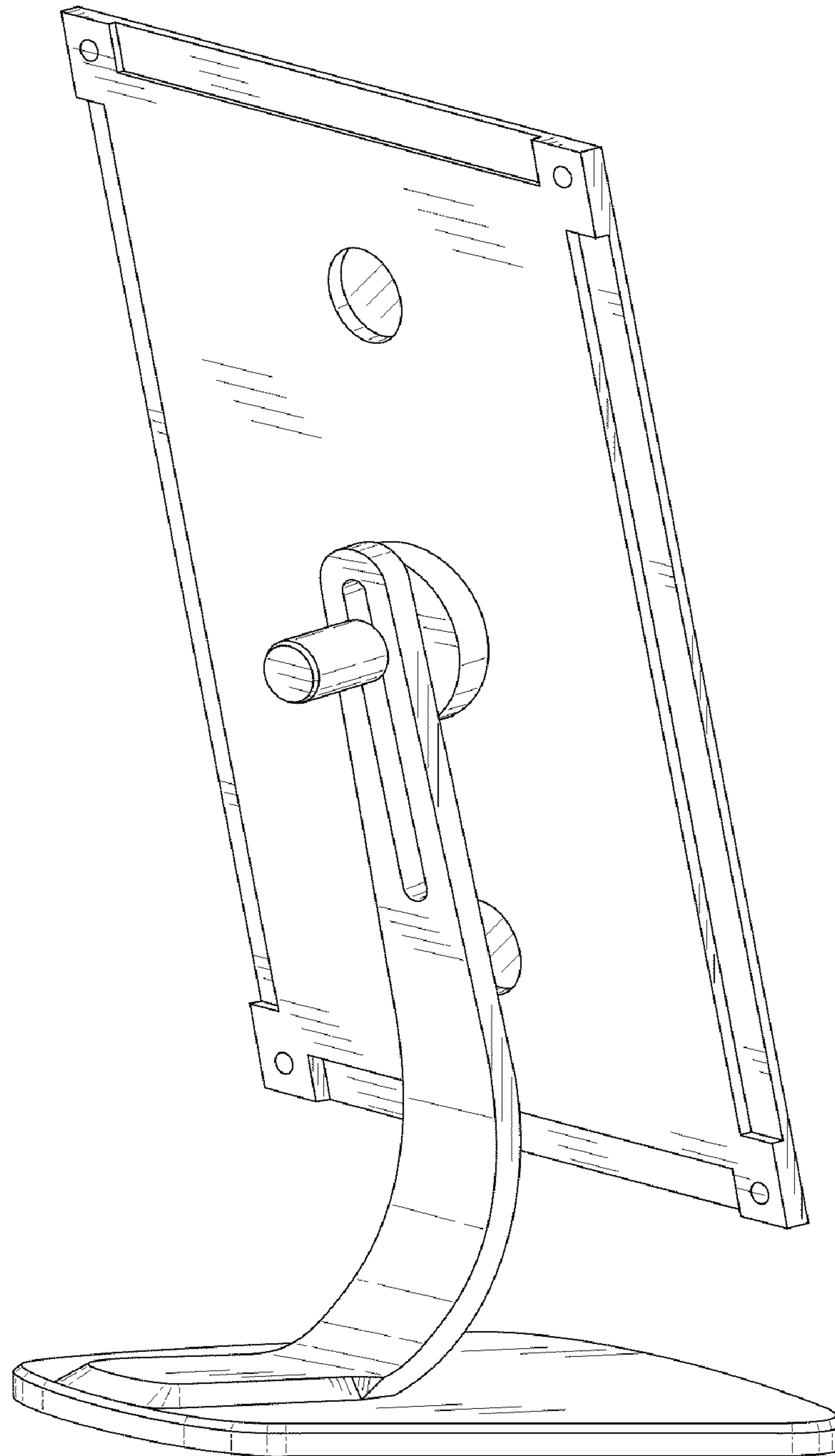


Fig. 7