



US00D644693S

(12) **United States Design Patent**
Braat et al.

(10) **Patent No.:** **US D644,693 S**

(45) **Date of Patent:** **** Sep. 6, 2011**

(54) **SWING SIGN**

(75) Inventors: **Sebastian Braat**, Leura (AU); **Stewart Norman Healley**, Giralang (AU)

(73) Assignee: **Stewart Norman Healley**, Giralang (AU)

(**) Term: **14 Years**

(21) Appl. No.: **29/359,427**

(22) Filed: **Apr. 9, 2010**

(30) **Foreign Application Priority Data**

Oct. 9, 2009 (AU) 13916/2009

(51) **LOC (9) Cl.** **20-03**

(52) **U.S. Cl.** **D20/10; D20/21**

(58) **Field of Classification Search** D20/10,
D20/18, 19, 21, 29, 39-43, 99; 40/124.01,
40/446, 508, 538, 541-544, 548, 563, 564,
40/572, 582, 584, 601, 617, 618, 624, 642.02,
40/700; D10/104, 109; 362/812; D6/300

See application file for complete search history.

(56) **References Cited**

U.S. PATENT DOCUMENTS

5,615,503	A	*	4/1997	Current	40/601
D407,119	S	*	3/1999	Kwan	D20/21
D450,775	S	*	11/2001	Albrecht	D20/10
D450,776	S	*	11/2001	Albrecht	D20/10
D463,499	S	*	9/2002	Marcos	D20/10

OTHER PUBLICATIONS

Swinger H2000 Assembly Instructions, McArthurMedia International, published at least as early as Oct. 8, 2008, 1 page.

* cited by examiner

Primary Examiner — Mary Ann Calabrese

(74) *Attorney, Agent, or Firm* — Seed Intellectual Property Law Group PLLC

(57) **CLAIM**

The ornamental design for a swing sign, as shown and described.

DESCRIPTION

FIG. 1 is an upper, front perspective view of a swing sign showing our new design.

FIG. 2 is a front elevational view of the swing sign.

FIG. 3 is a lower, front perspective view of the swing sign.

FIG. 4 is a top plan view of the swing sign.

FIG. 5 is a bottom plan view of the swing sign.

FIG. 6 is an upper, front perspective view of the sign, in which a display board of the sign has been swung outwardly.

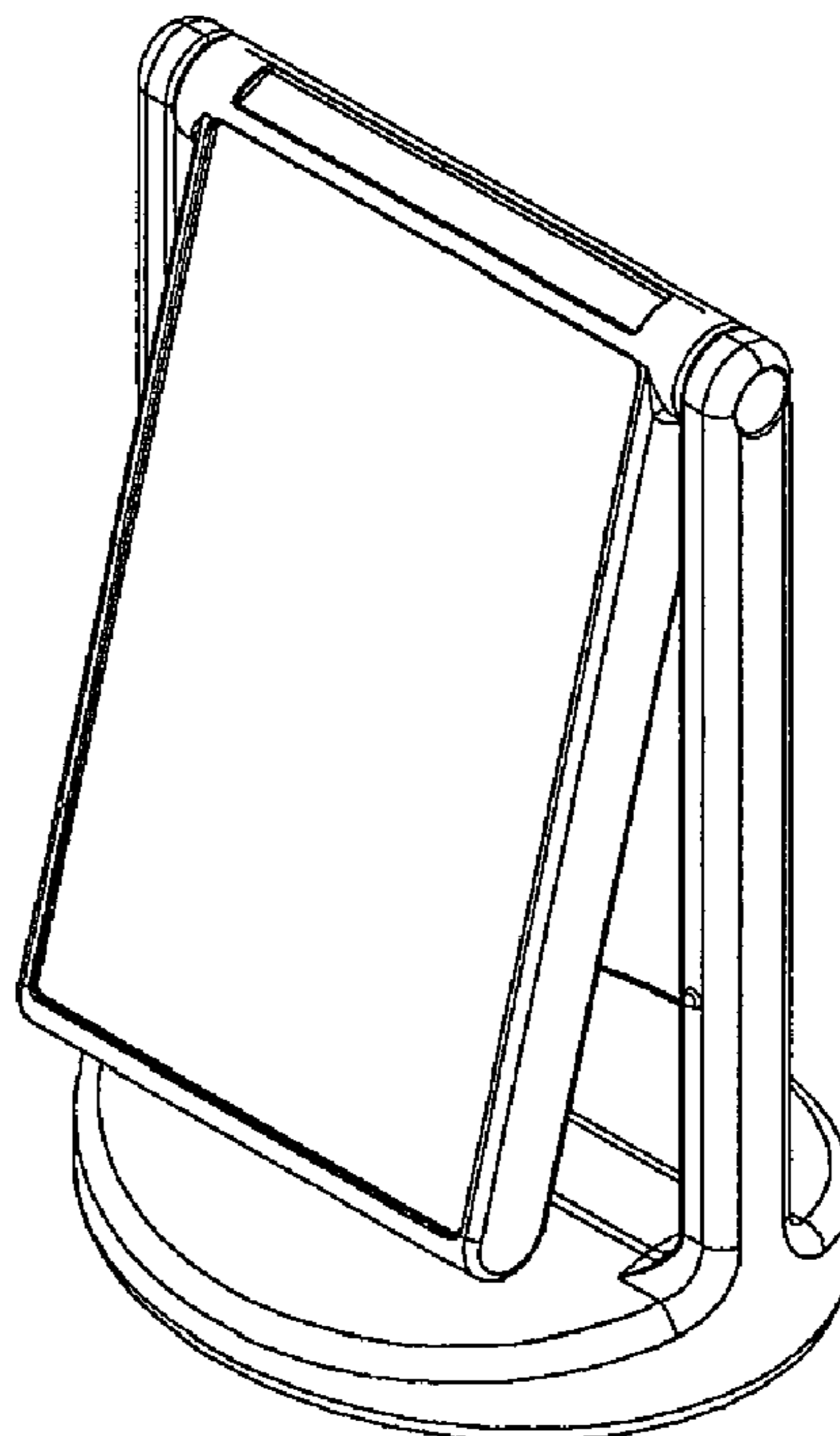
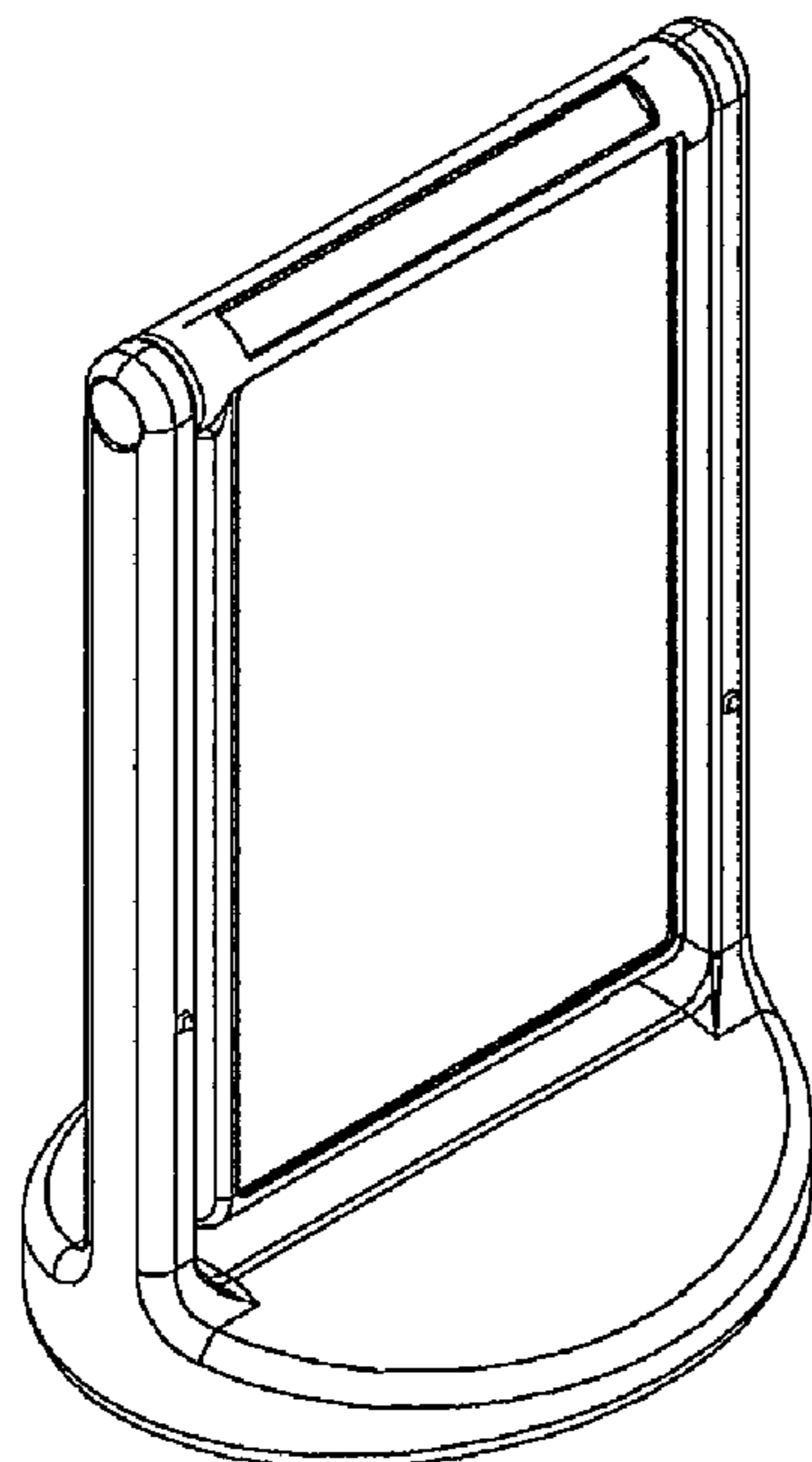
FIG. 7 is an upper, rear perspective view of the swing sign.

FIG. 8 is a rear elevational view of the swing sign.

FIG. 9 is a lower, rear perspective view of the swing sign; and,

FIG. 10 is a side elevational view of the sign, the other side elevational view being identical.

1 Claim, 5 Drawing Sheets



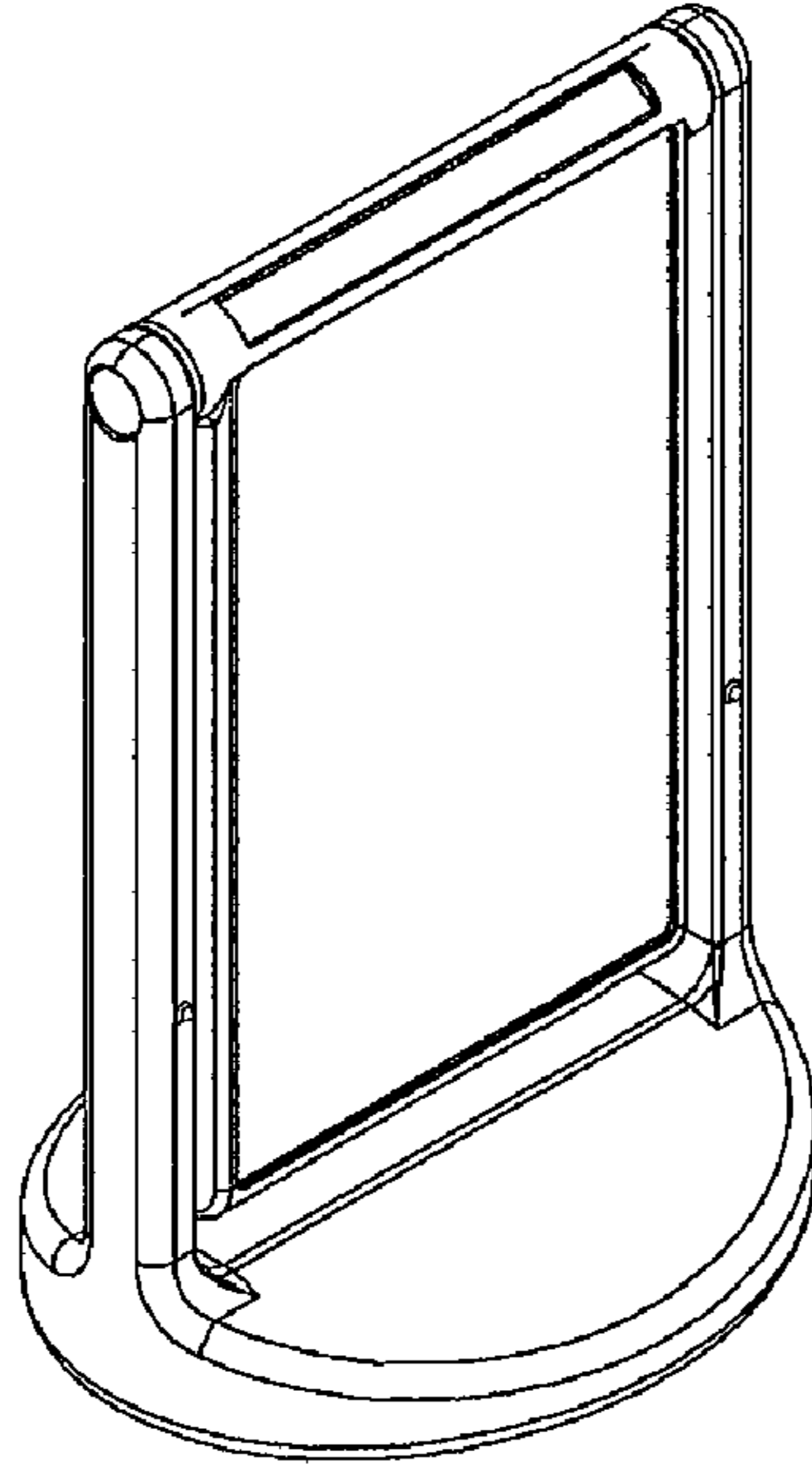


Figure 1

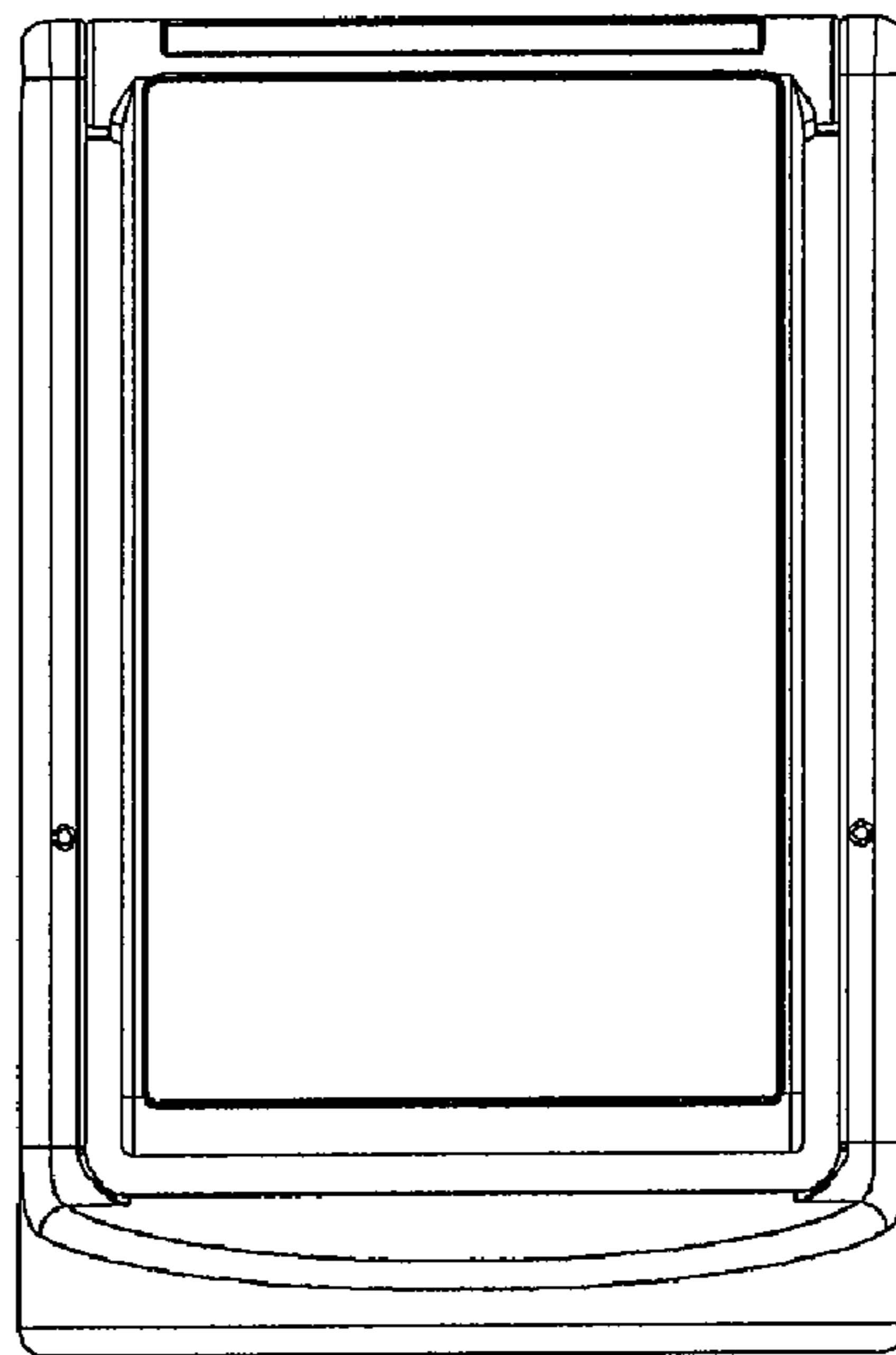


Figure 2

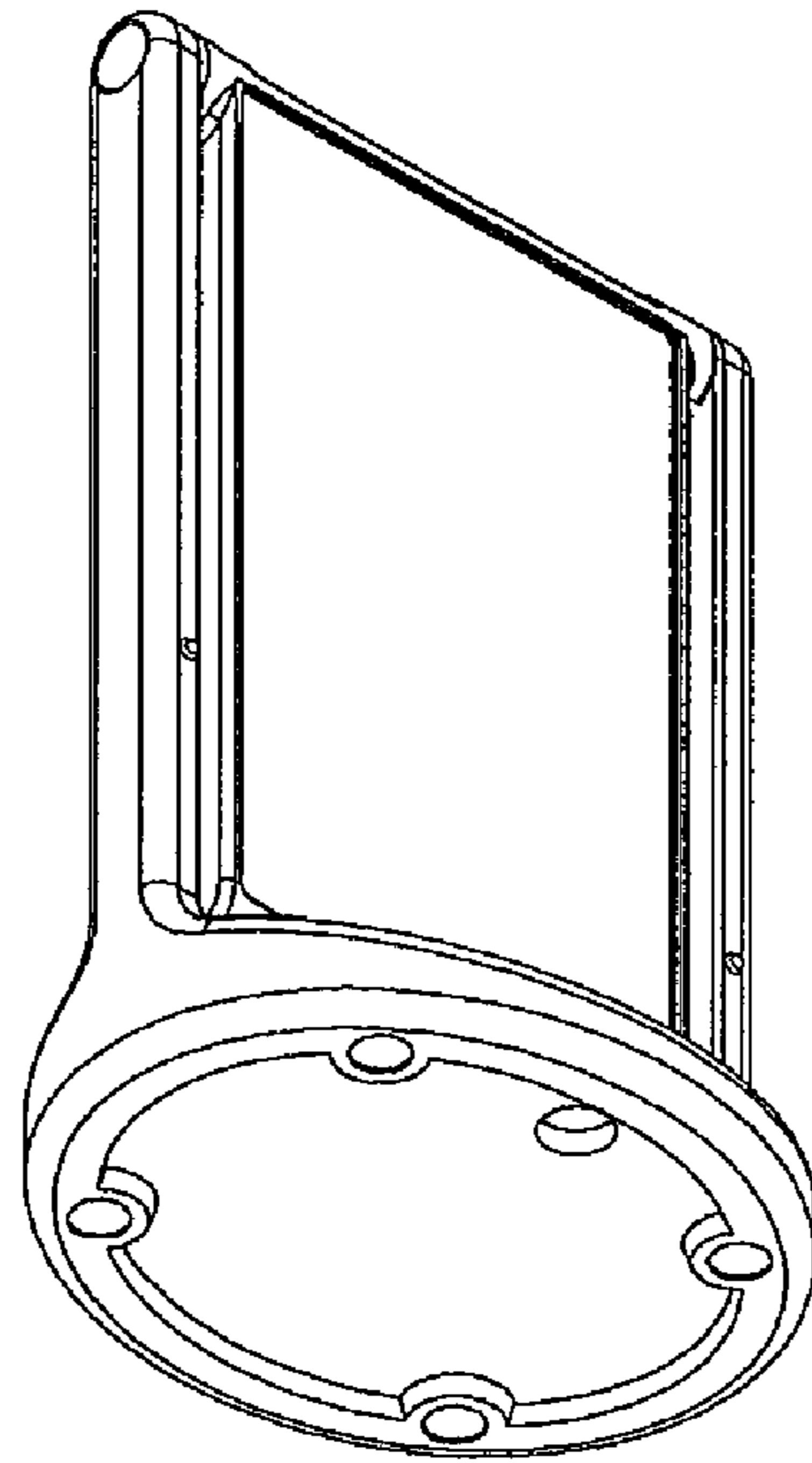


Figure 3

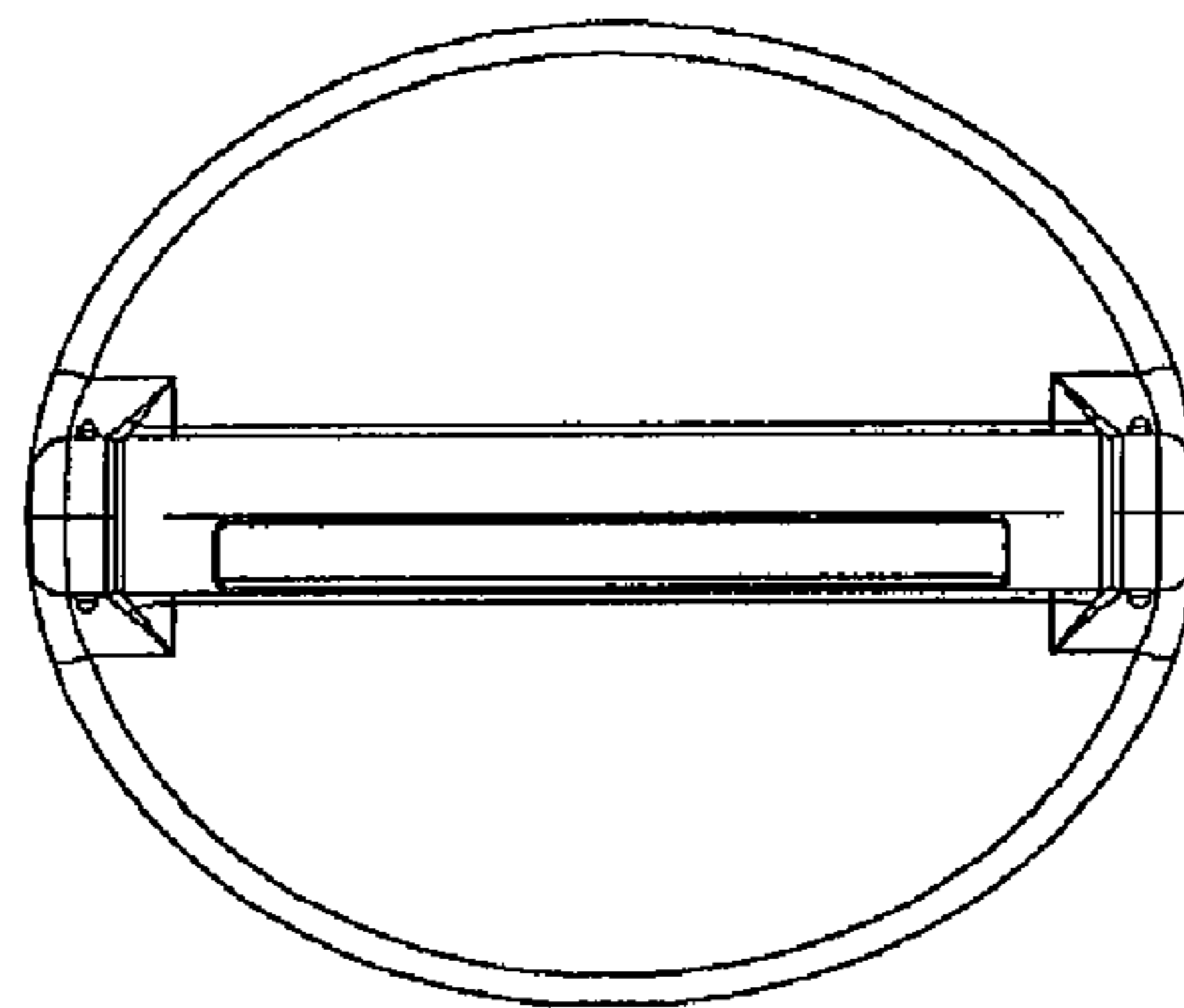


Figure 4

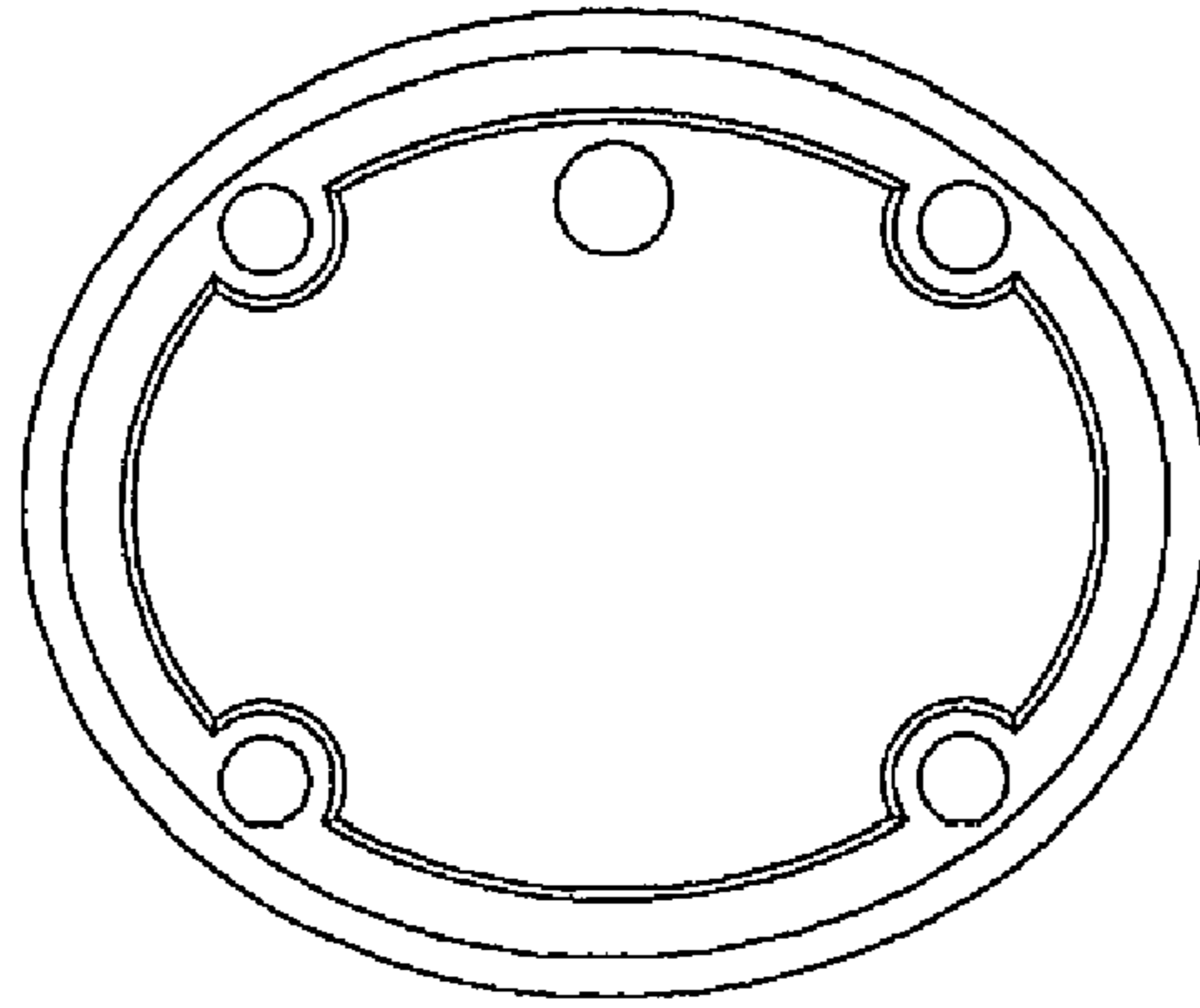


Figure 5

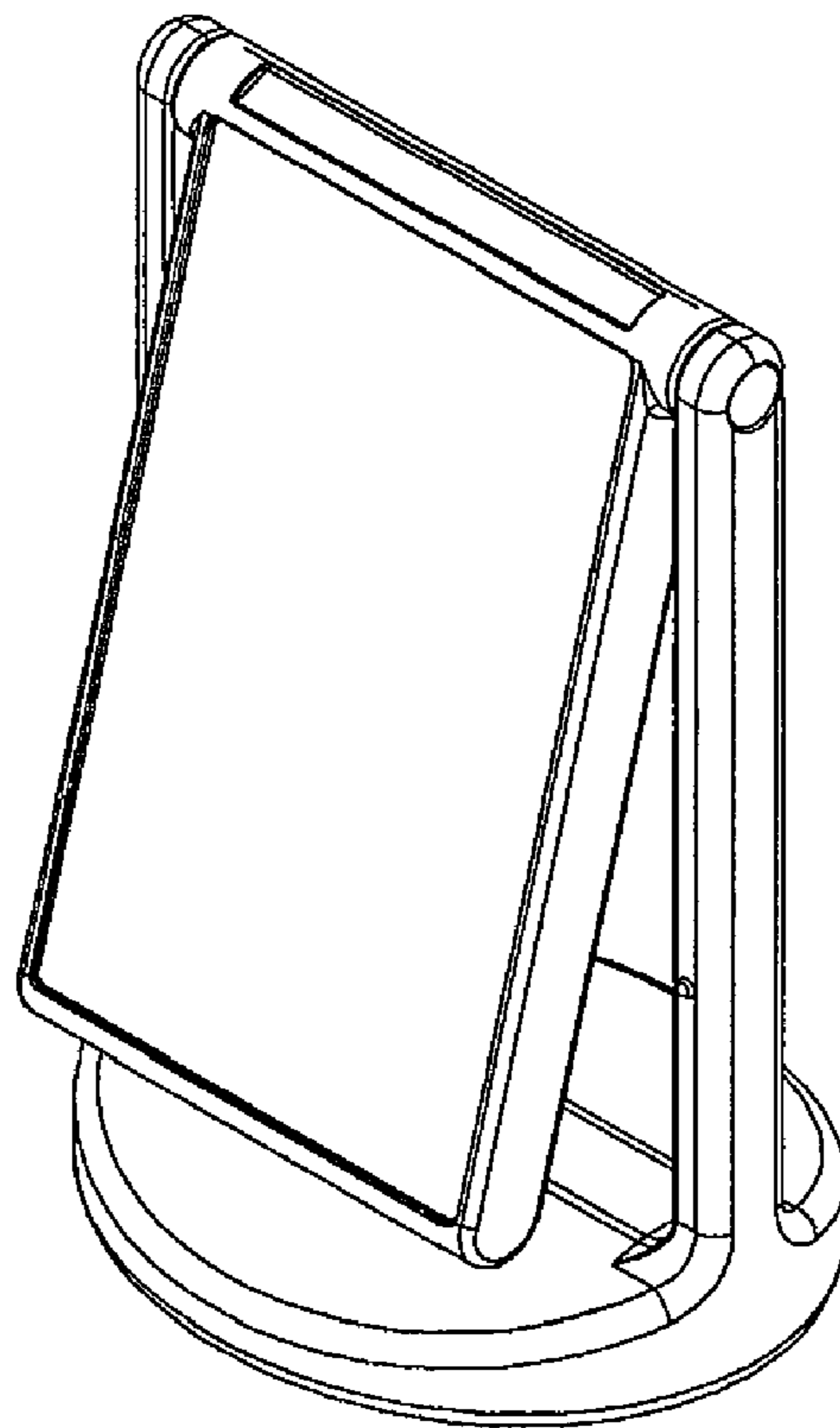


Figure 6

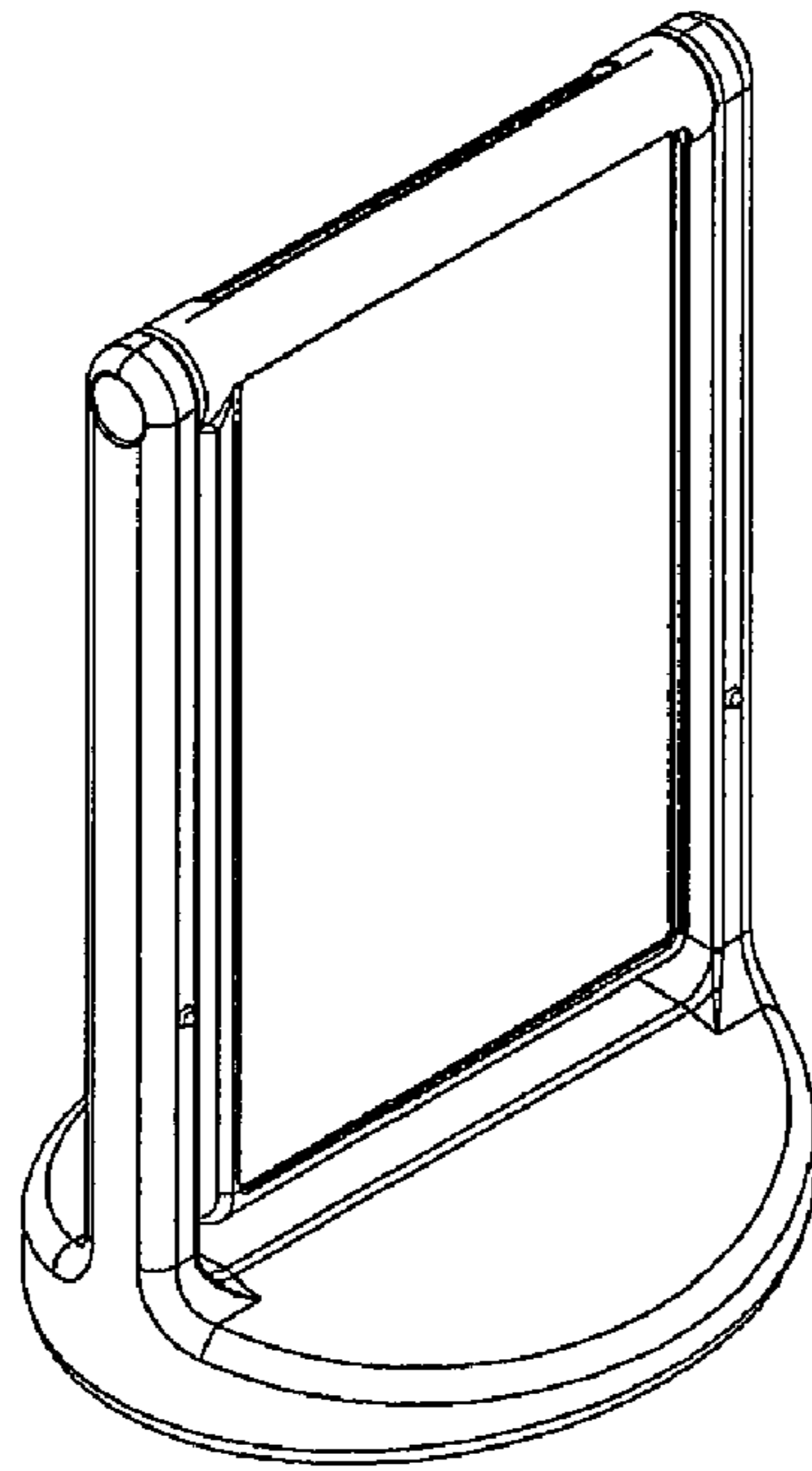


Figure 7

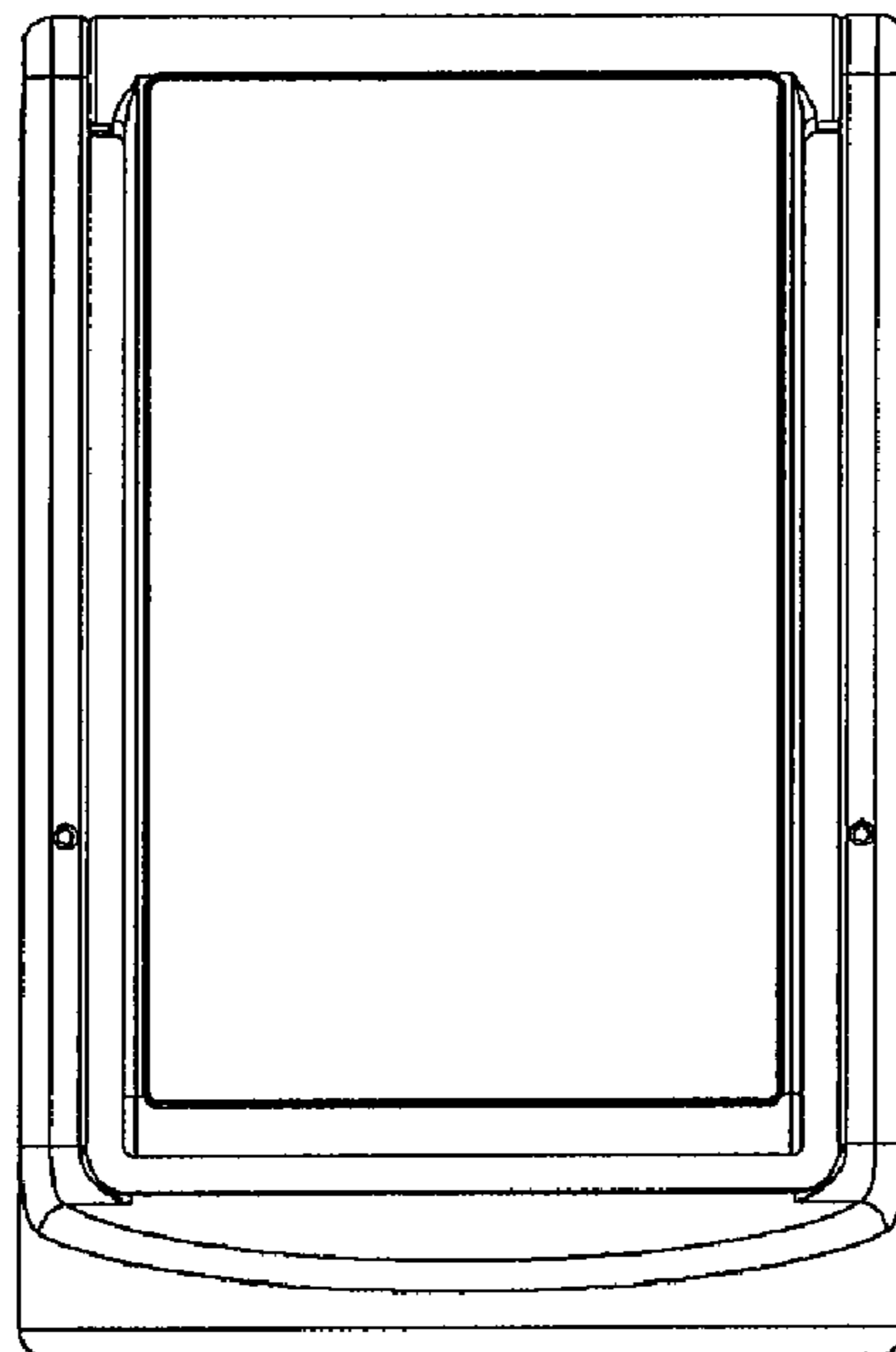


Figure 8

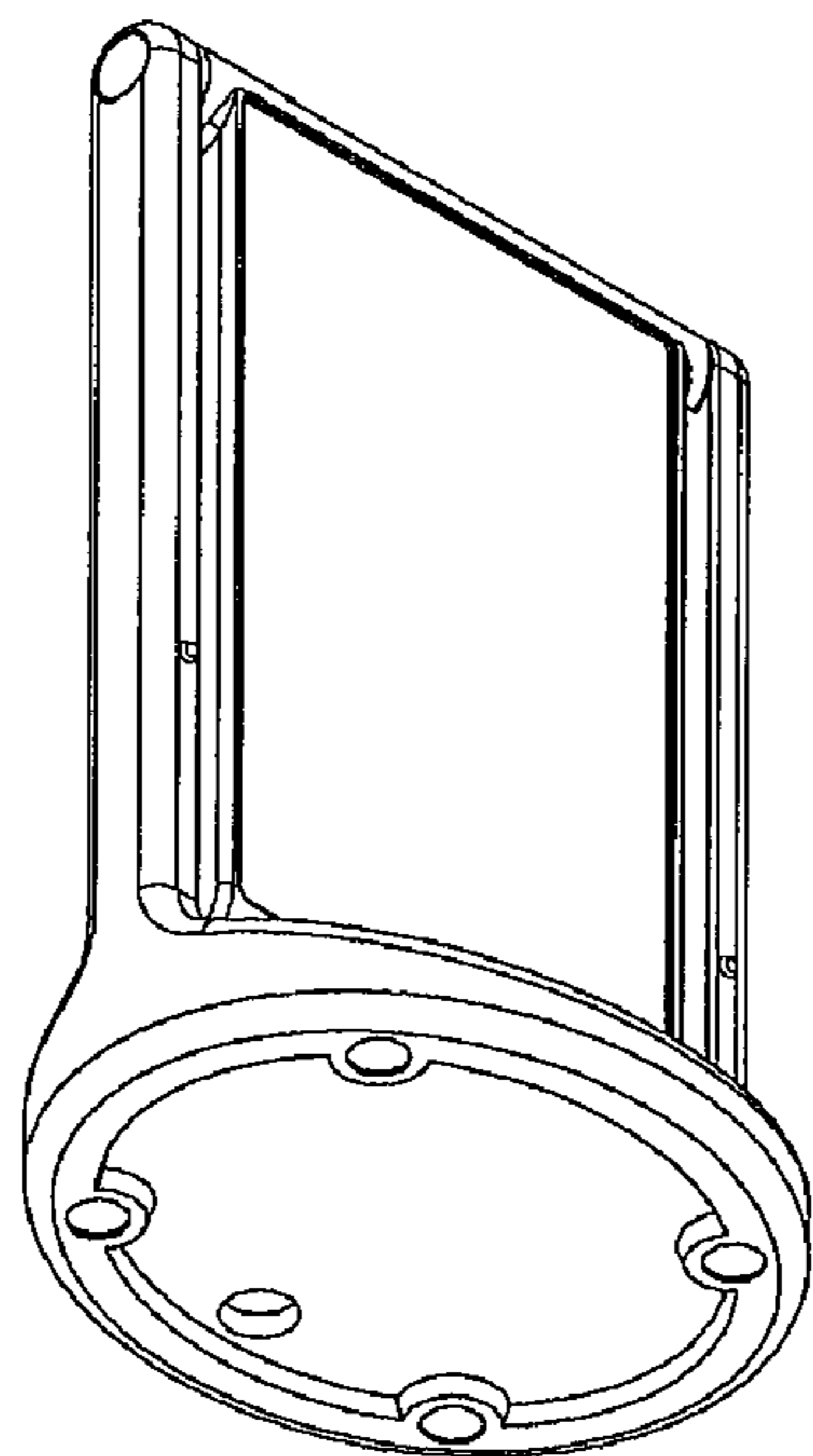


Figure 9

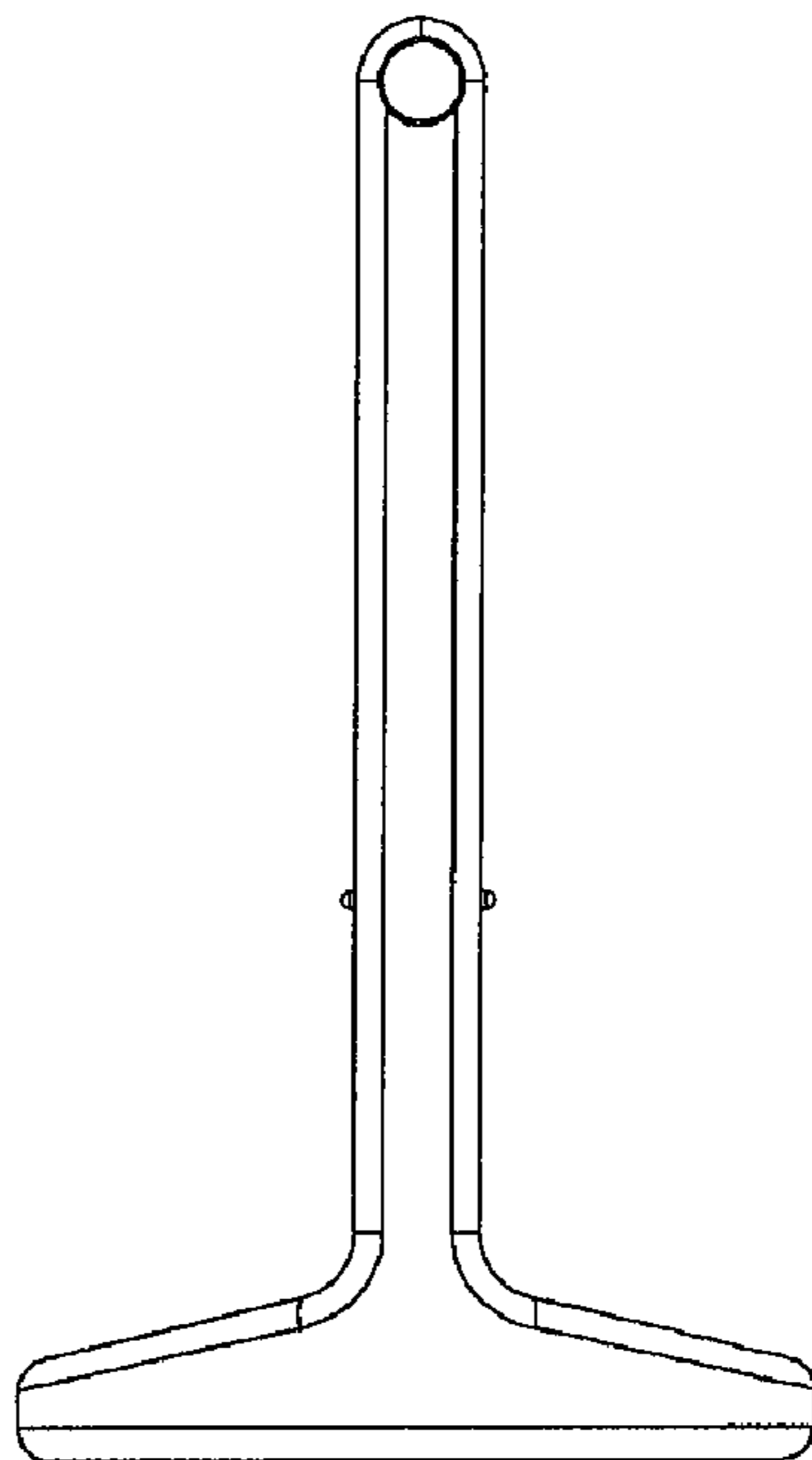


Figure 10