



US00D644685S

(12) **United States Design Patent**
Asano et al.

(10) **Patent No.:** **US D644,685 S**

(45) **Date of Patent:** **** Sep. 6, 2011**

(54) **PRINTER**

(75) Inventors: **Masahide Asano**, Nagoya (JP);
Tomoyuki Nanno, Nagoya (JP);
Nobuyuki Iwai, Chita-gun (JP)

(73) Assignee: **Brother Industries, Ltd.**, Nagoya (JP)

(**) Term: **14 Years**

(21) Appl. No.: **29/368,794**

(22) Filed: **Aug. 30, 2010**

(30) **Foreign Application Priority Data**

Mar. 1, 2010 (JP) 2010-004792

(51) **LOC (9) Cl.** **14-02**

(52) **U.S. Cl.** **D18/50**

(58) **Field of Classification Search** D18/19,
D18/34.1, 36-37, 50, 54.1, 55; D14/420-425,
D14/434, 463-470; 400/613, 613.1-613.4,
400/690, 690.1-690.4, 691-694

See application file for complete search history.

(56) **References Cited**

U.S. PATENT DOCUMENTS

D458,262	S	*	6/2002	Huang et al.	D14/424
D481,754	S	*	11/2003	Hattori et al.	D18/50
D536,729	S	*	2/2007	Hattori	D18/50
D553,185	S	*	10/2007	Hattori	D18/50
D553,186	S	*	10/2007	Hoshiya et al.	D18/55
D556,257	S	*	11/2007	Yamaguchi	D18/55
D605,691	S	*	12/2009	Sato	D18/55

* cited by examiner

Primary Examiner — Cathy A MacCormac

(74) *Attorney, Agent, or Firm* — Oliff & Berridge, PLC

(57) **CLAIM**

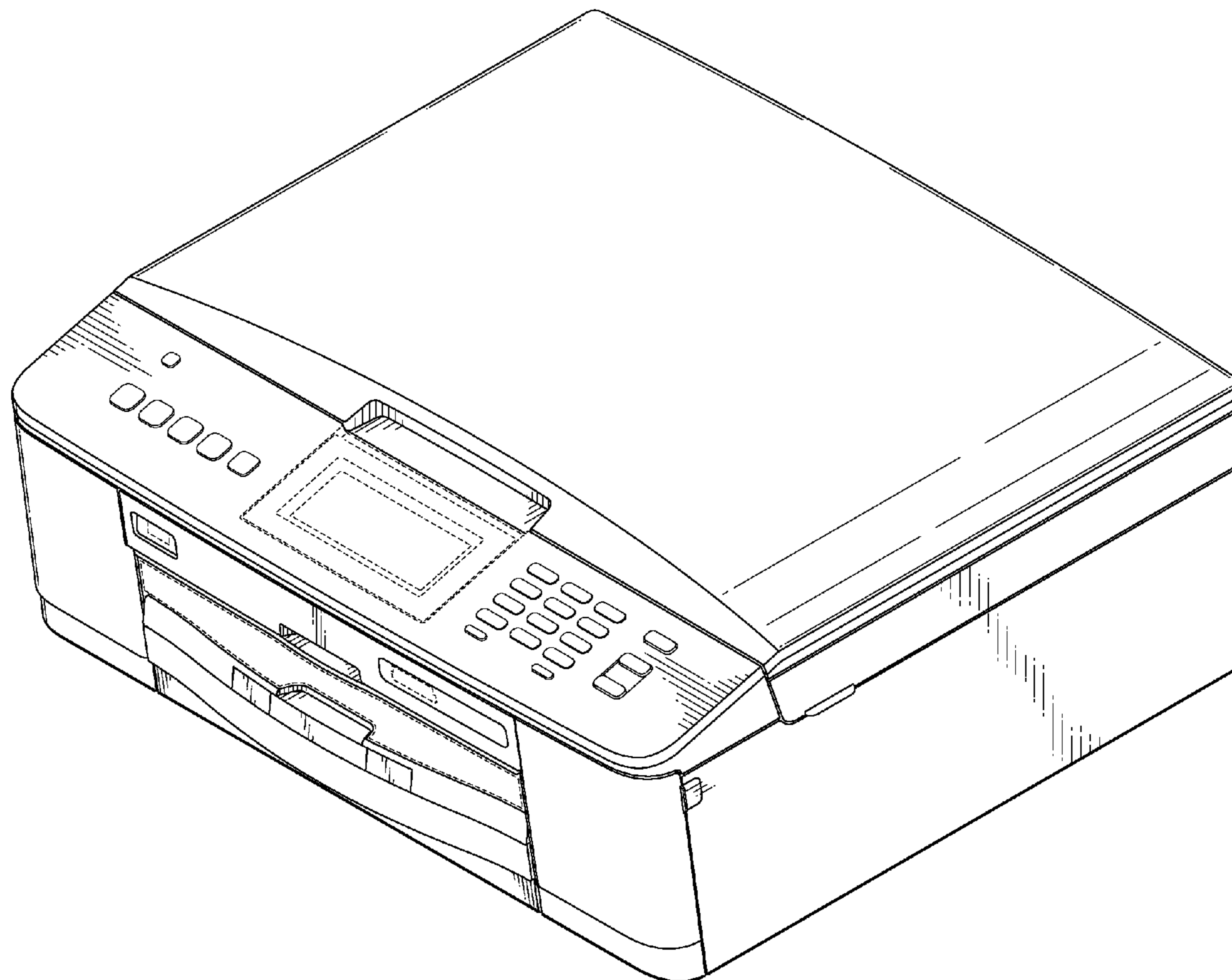
The ornamental design for a printer, as shown and described.

DESCRIPTION

FIG. 1 is a perspective view of a printer;
FIG. 2 is a front view thereof;
FIG. 3 is a top view thereof;
FIG. 4 is a right-side view thereof;
FIG. 5 is a left-side view thereof;
FIG. 6 is a rear view thereof; and,
FIG. 7 is a bottom view thereof.

The broken lines depict environmental subject matter only and form no part of the claimed design.

1 Claim, 6 Drawing Sheets



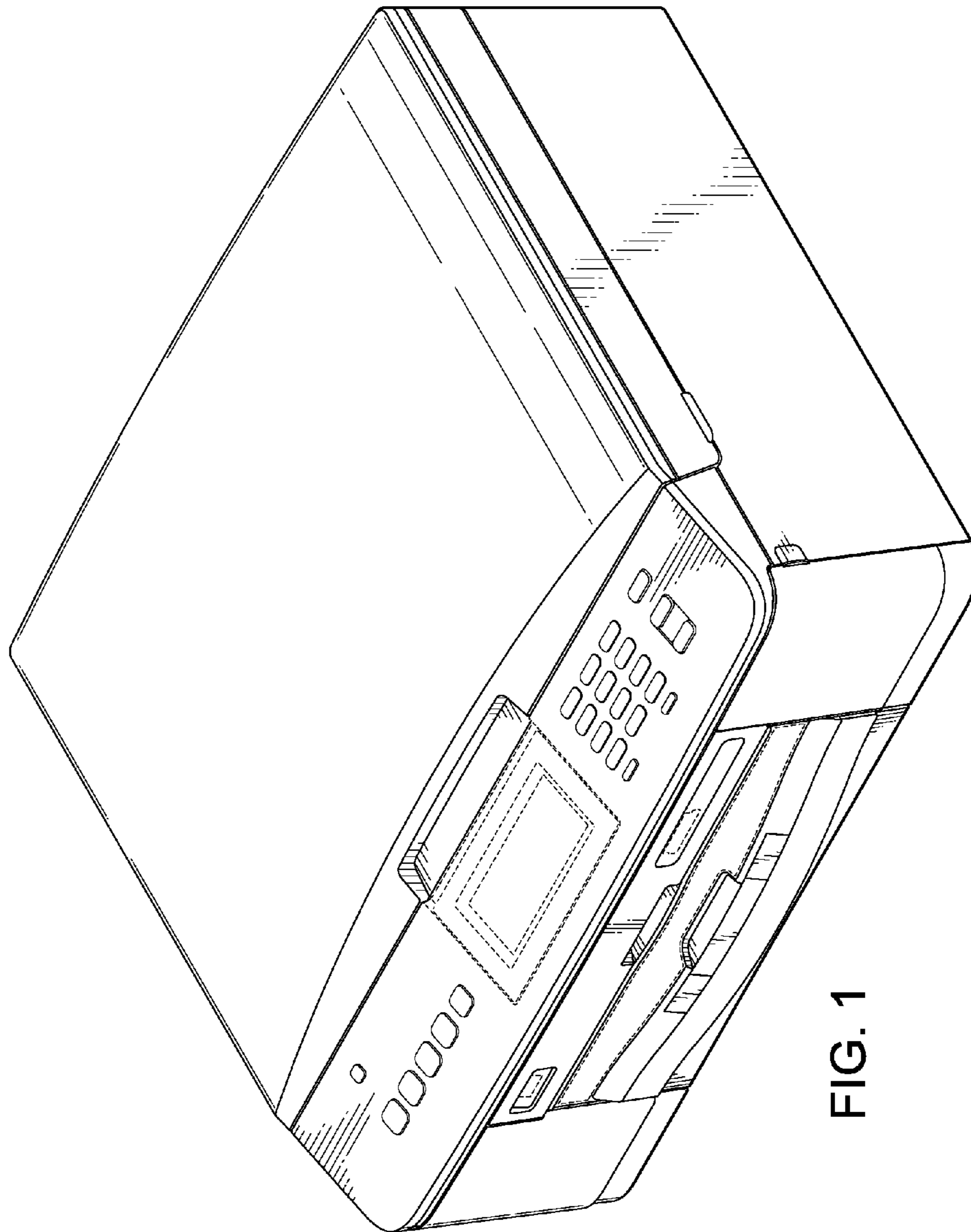


FIG. 1

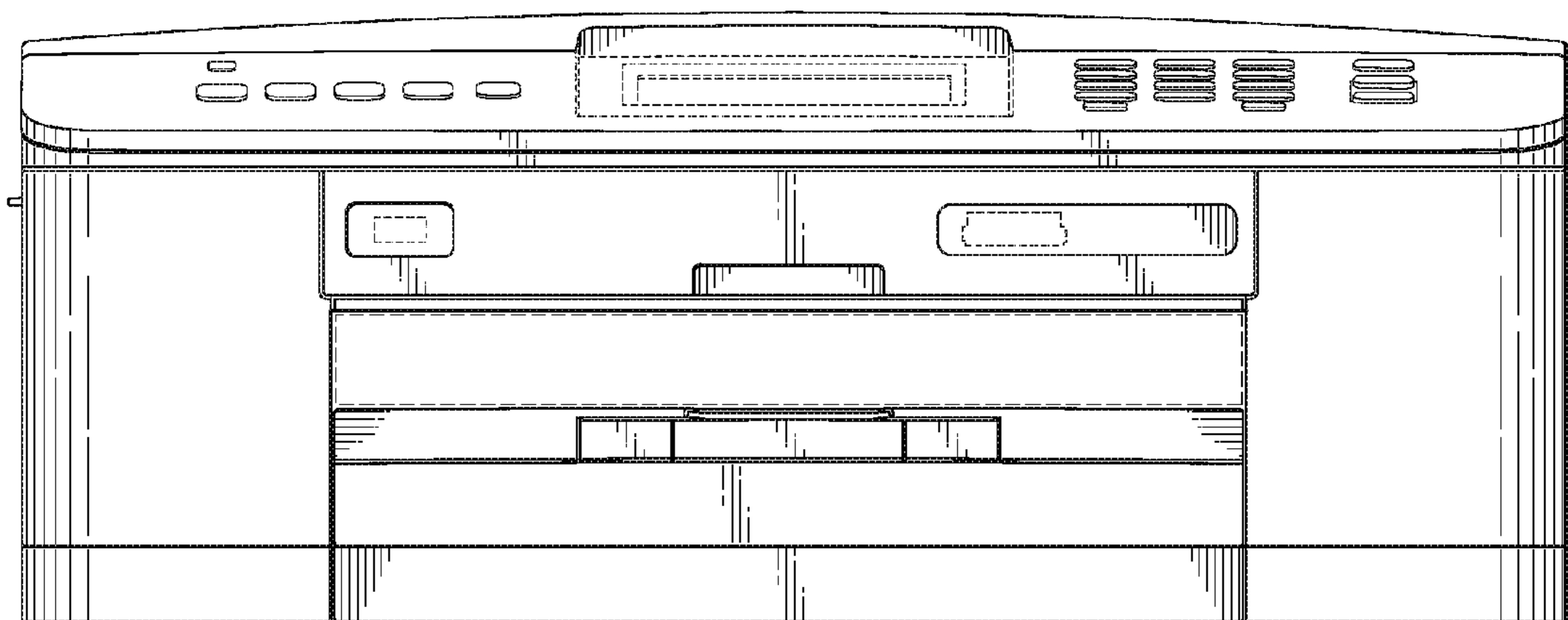


FIG. 2

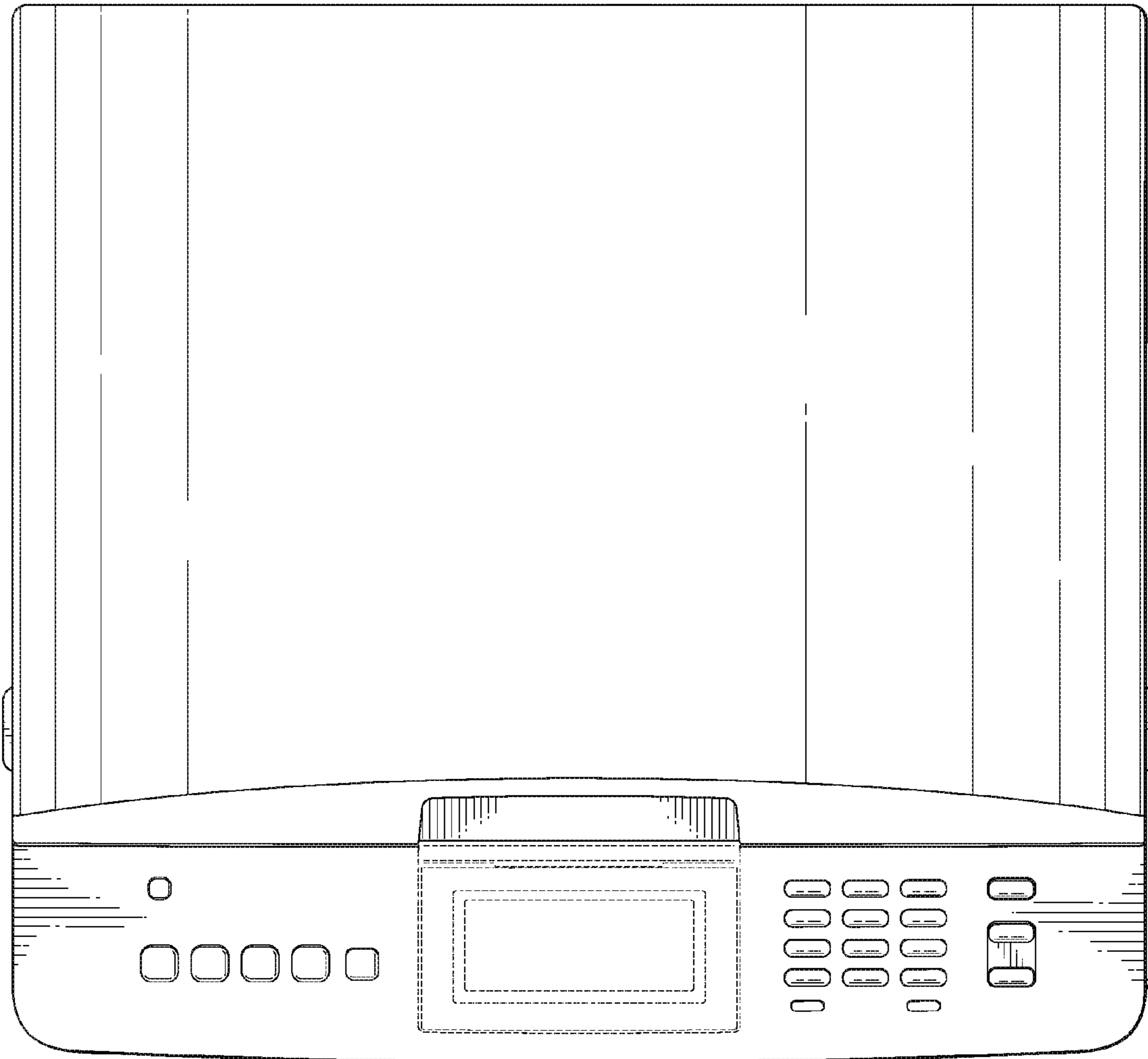


FIG. 3

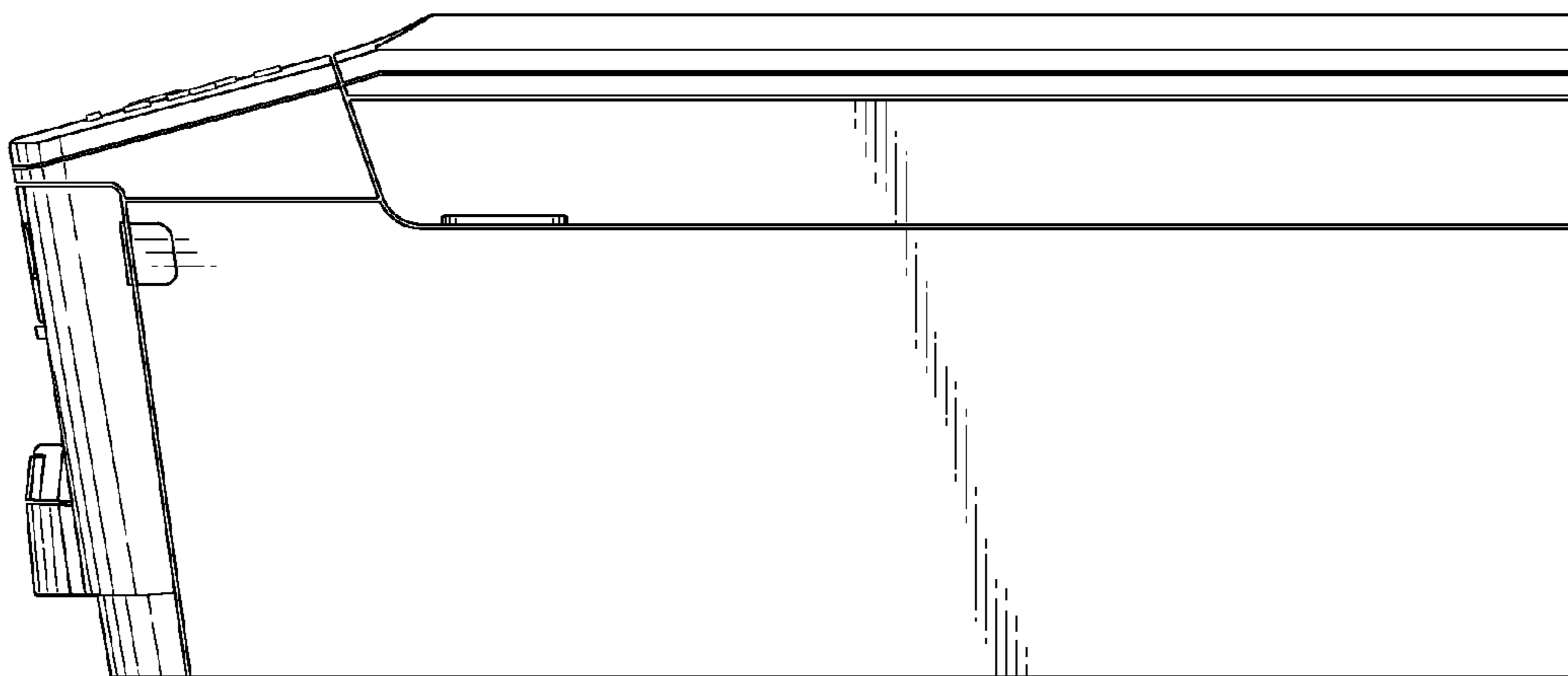


FIG. 4

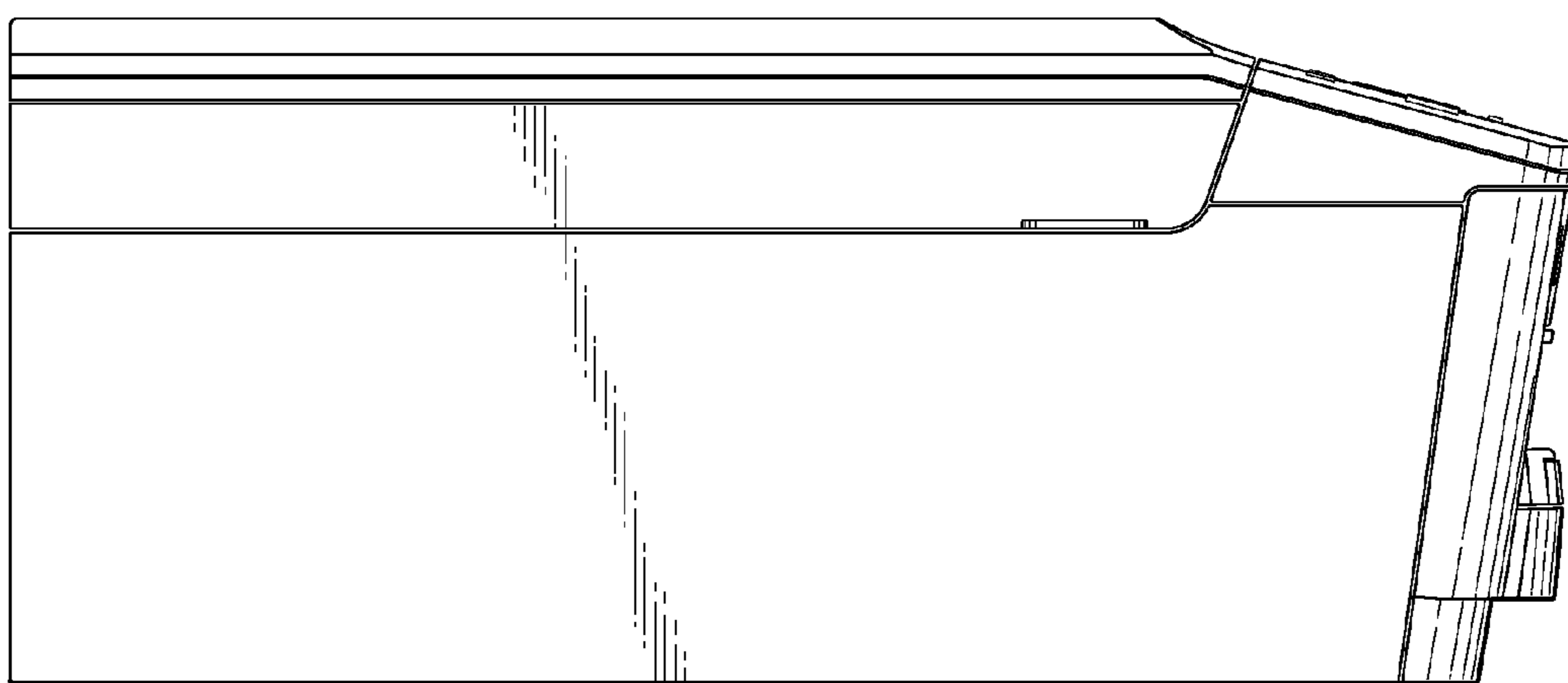


FIG. 5

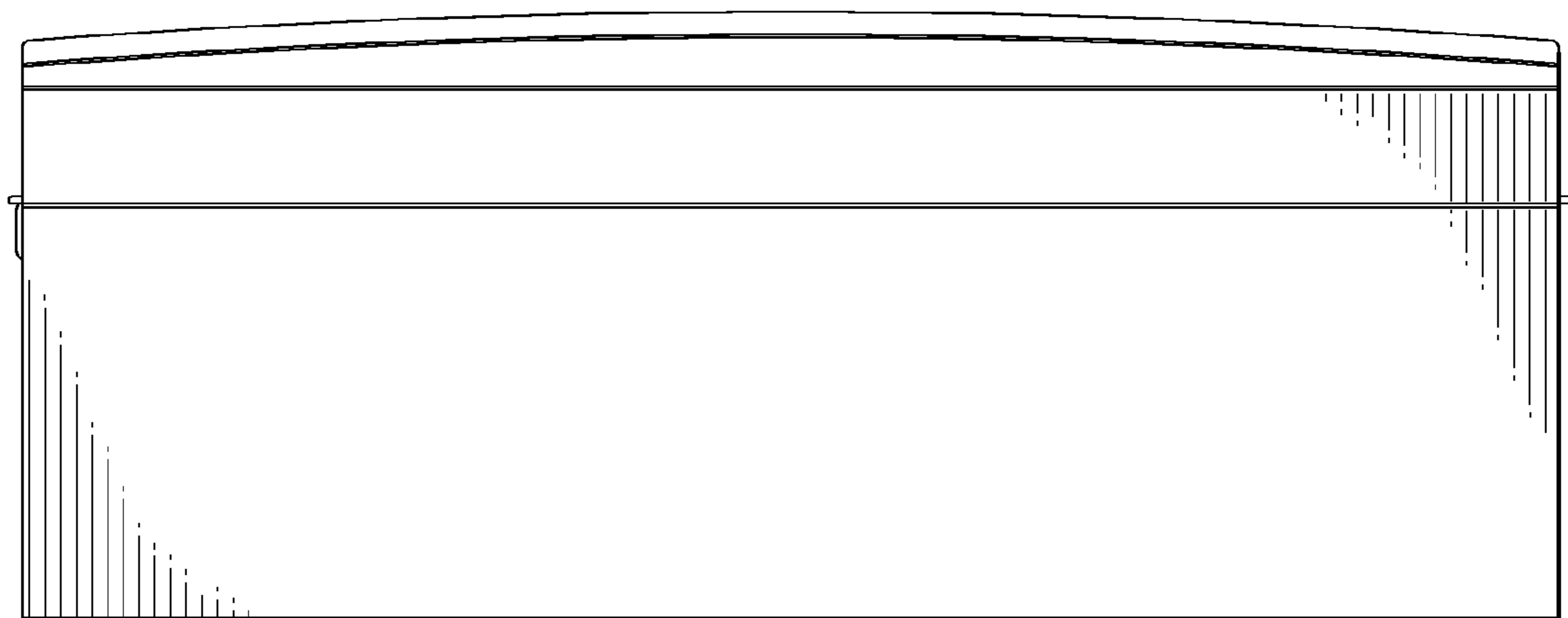


FIG. 6

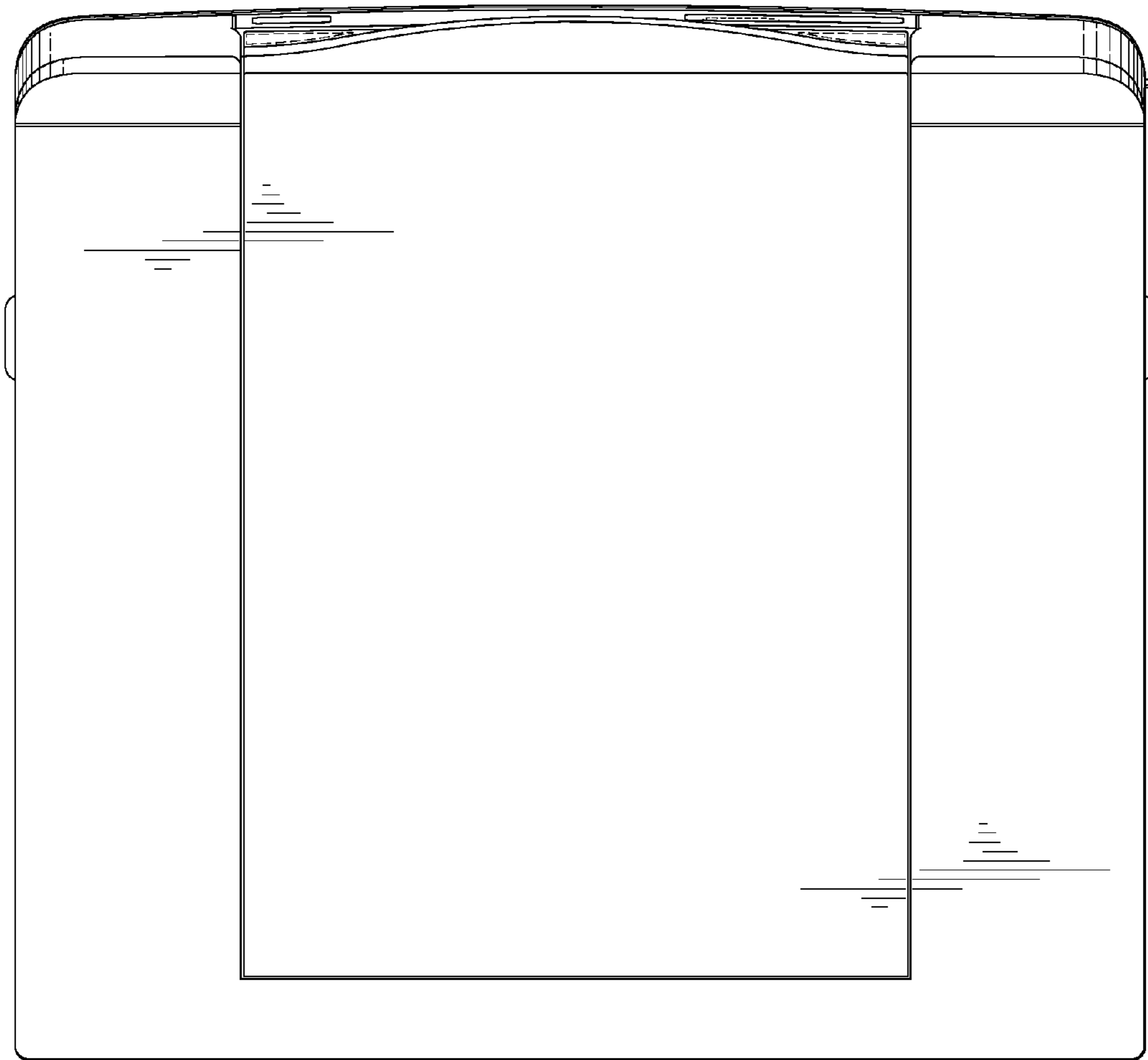


FIG. 7