



US00D644683S

(12) **United States Design Patent**
Kawai et al.

(10) **Patent No.:** **US D644,683 S**

(45) **Date of Patent:** **** Sep. 6, 2011**

(54) **TONER CARTRIDGE**

(75) Inventors: **Masashi Kawai**, Toyohashi (JP);
Takeshi Hashimoto, Okazaki (JP);
Yasuaki Tomoda, Toyohashi (JP)

(73) Assignee: **Konica Minolta Business Technologies, Inc.**, Chidoya-ku, Tokyo (JP)

(**) Term: **14 Years**

(21) Appl. No.: **29/365,437**

(22) Filed: **Jul. 9, 2010**

(30) **Foreign Application Priority Data**

Jan. 20, 2010 (JP) 2010-001222

(51) **LOC (9) Cl.** **16-03**

(52) **U.S. Cl.** **D18/43**

(58) **Field of Classification Search** D14/471;
D18/12, 36, 40, 43, 44, 56; 222/DIG. 1;
347/197, 222; 399/24-28, 107-112, 119,
399/121, 122, 222-224

See application file for complete search history.

(56) **References Cited**

U.S. PATENT DOCUMENTS

D400,915 S * 11/1998 Nomura et al. D18/40
D410,247 S * 5/1999 Nomura D18/43
D471,582 S * 3/2003 Mori D18/40
D529,947 S * 10/2006 Nakajima et al. D18/43

D529,948 S * 10/2006 Jimba et al. D18/43
D530,359 S * 10/2006 Isomura et al. D18/43
D530,360 S * 10/2006 Isomura et al. D18/43
D553,183 S 10/2007 Hashimoto et al.
7,593,653 B2 * 9/2009 Richey et al. 399/27
2009/0074465 A1 * 3/2009 Tanaka 399/223

OTHER PUBLICATIONS

Color Photographs of Existing Toner Cartridge Model No. 4053.

* cited by examiner

Primary Examiner — Garth Rademaker

(74) *Attorney, Agent, or Firm* — Buchanan Ingersoll & Rooney PC

(57) **CLAIM**

The ornamental design for a toner cartridge, as shown.

DESCRIPTION

FIG. 1 is a front view of a toner cartridge showing our new design;

FIG. 2 is a rear view thereof;

FIG. 3 is a top plan view thereof;

FIG. 4 is a bottom plan view thereof;

FIG. 5 is a right side view thereof;

FIG. 6 is a left side view thereof;

FIG. 7 is a front, top, left side perspective view thereof;

FIG. 8 is a rear, top, right side perspective view thereof;

FIG. 9 is a front, bottom, right side perspective view thereof;

and,

FIG. 10 is a rear, bottom, left side perspective view thereof.

1 Claim, 5 Drawing Sheets

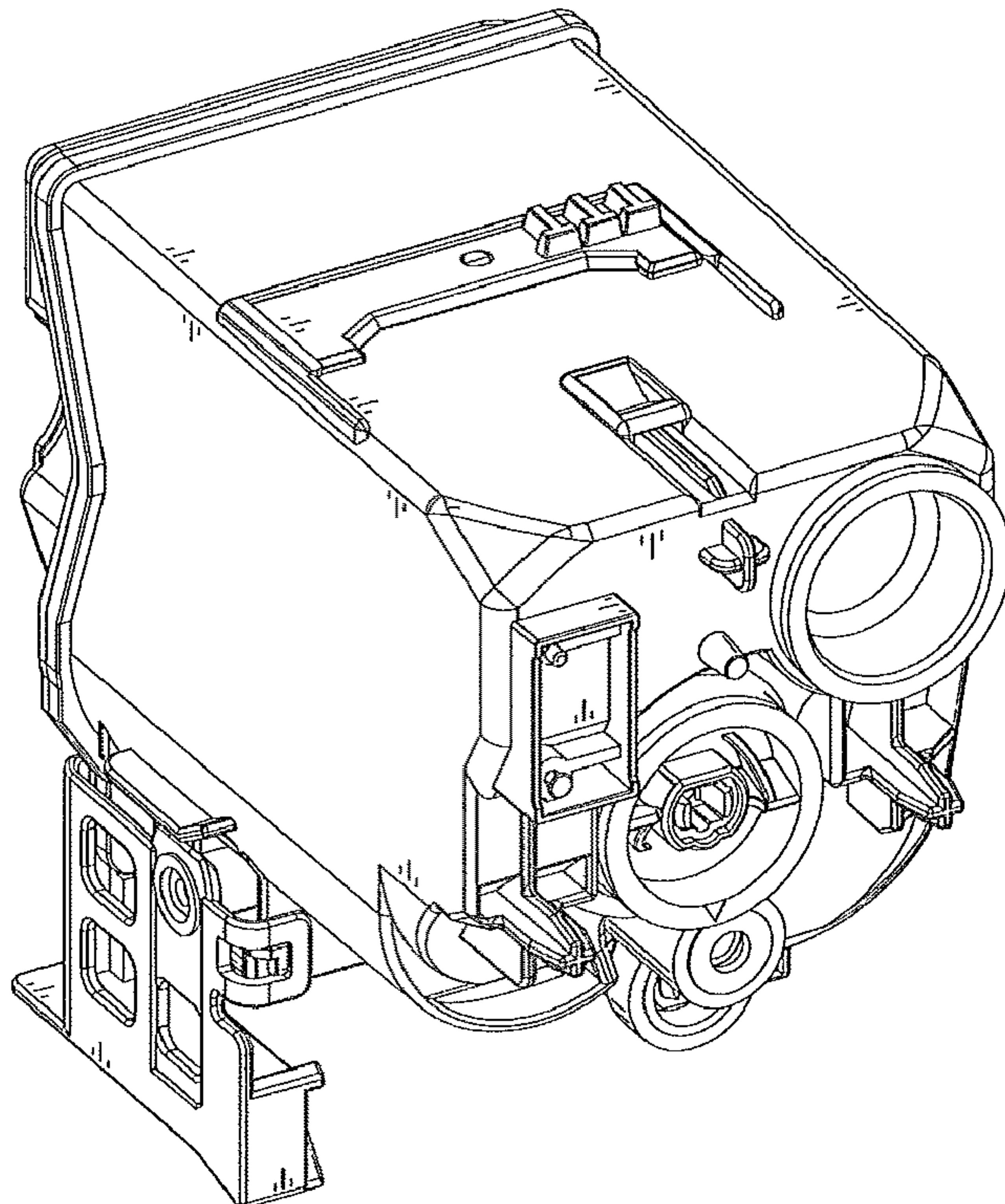


FIG.1

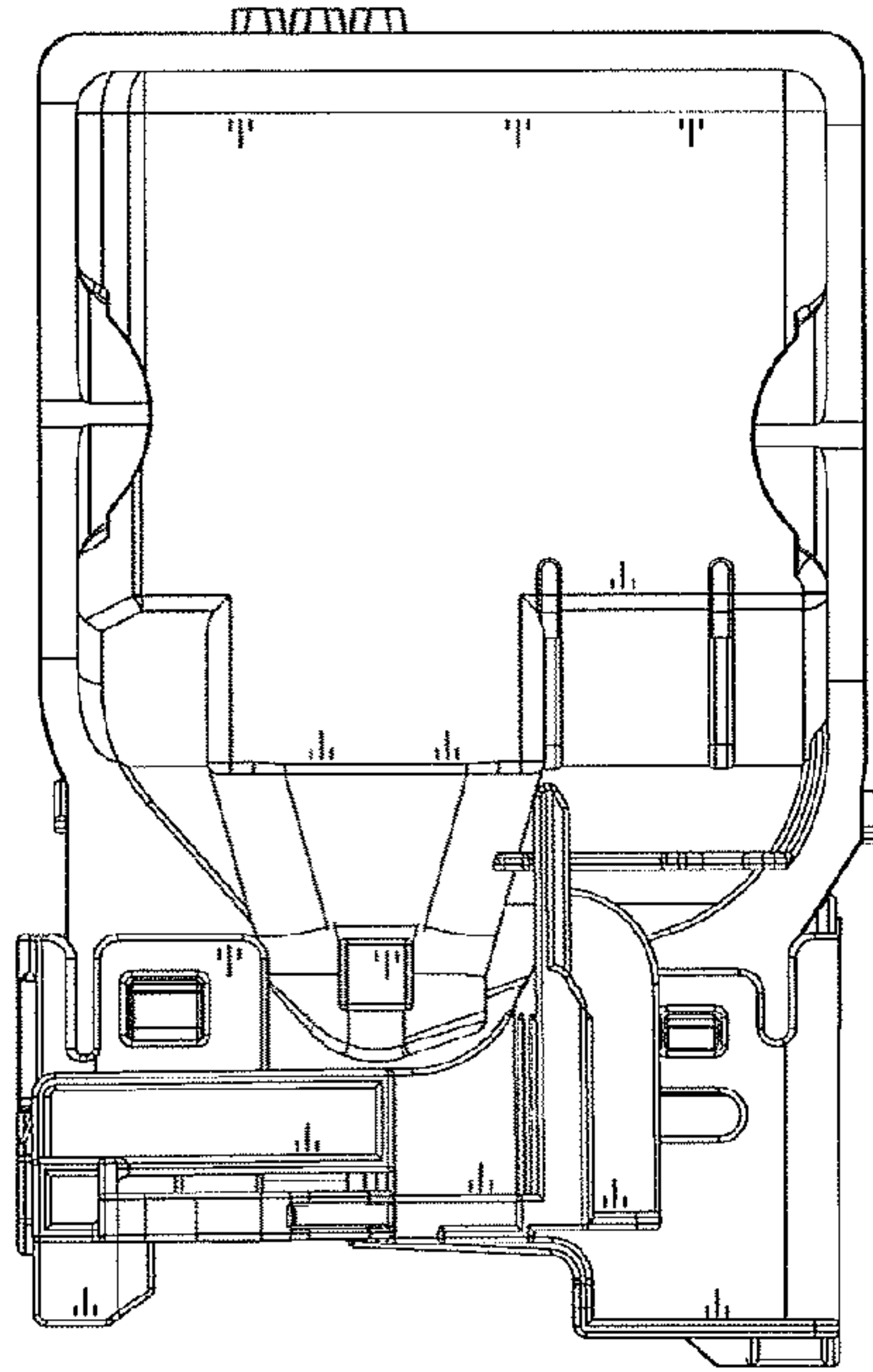


FIG.2

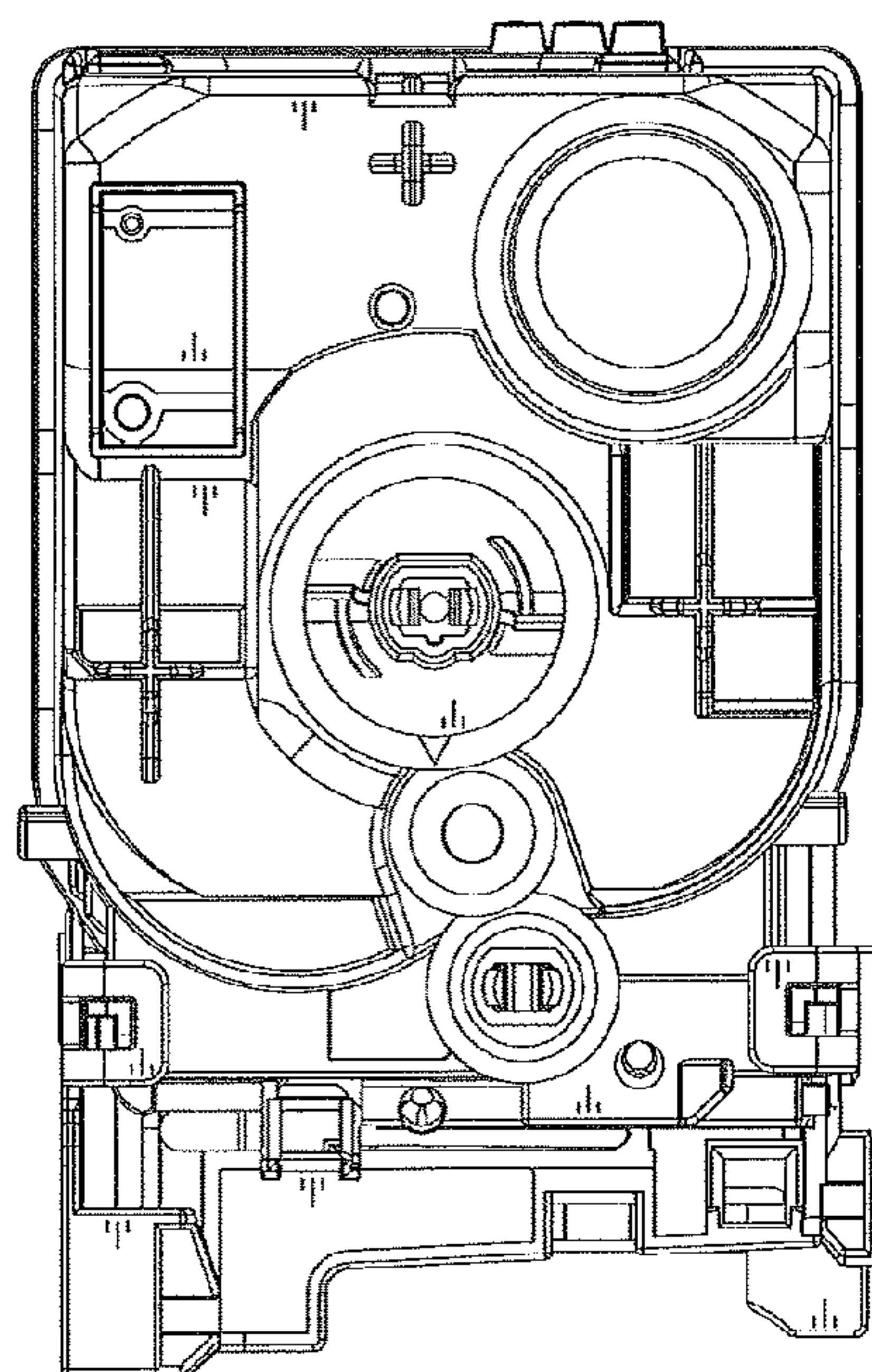


FIG.3

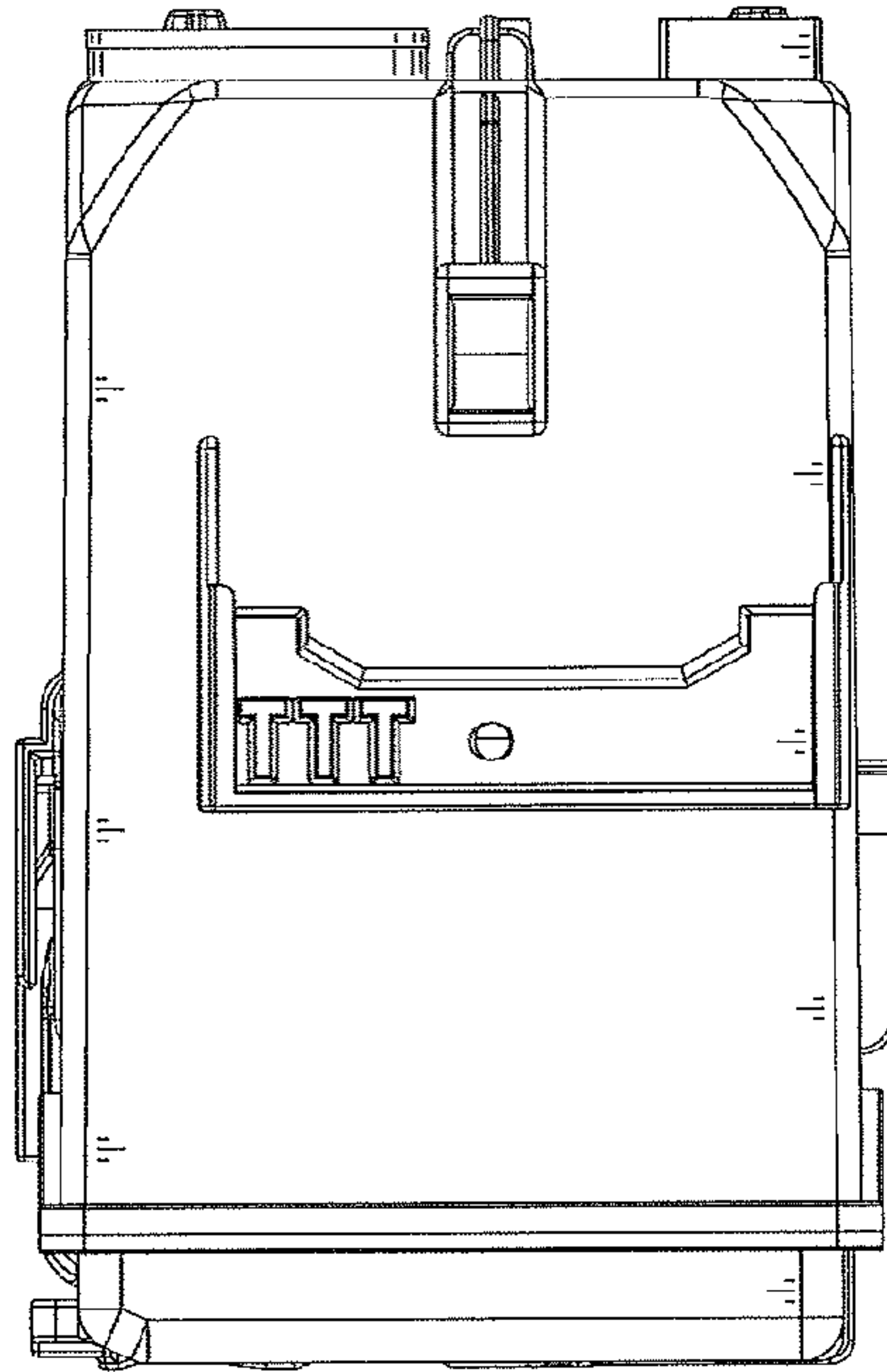


FIG.4

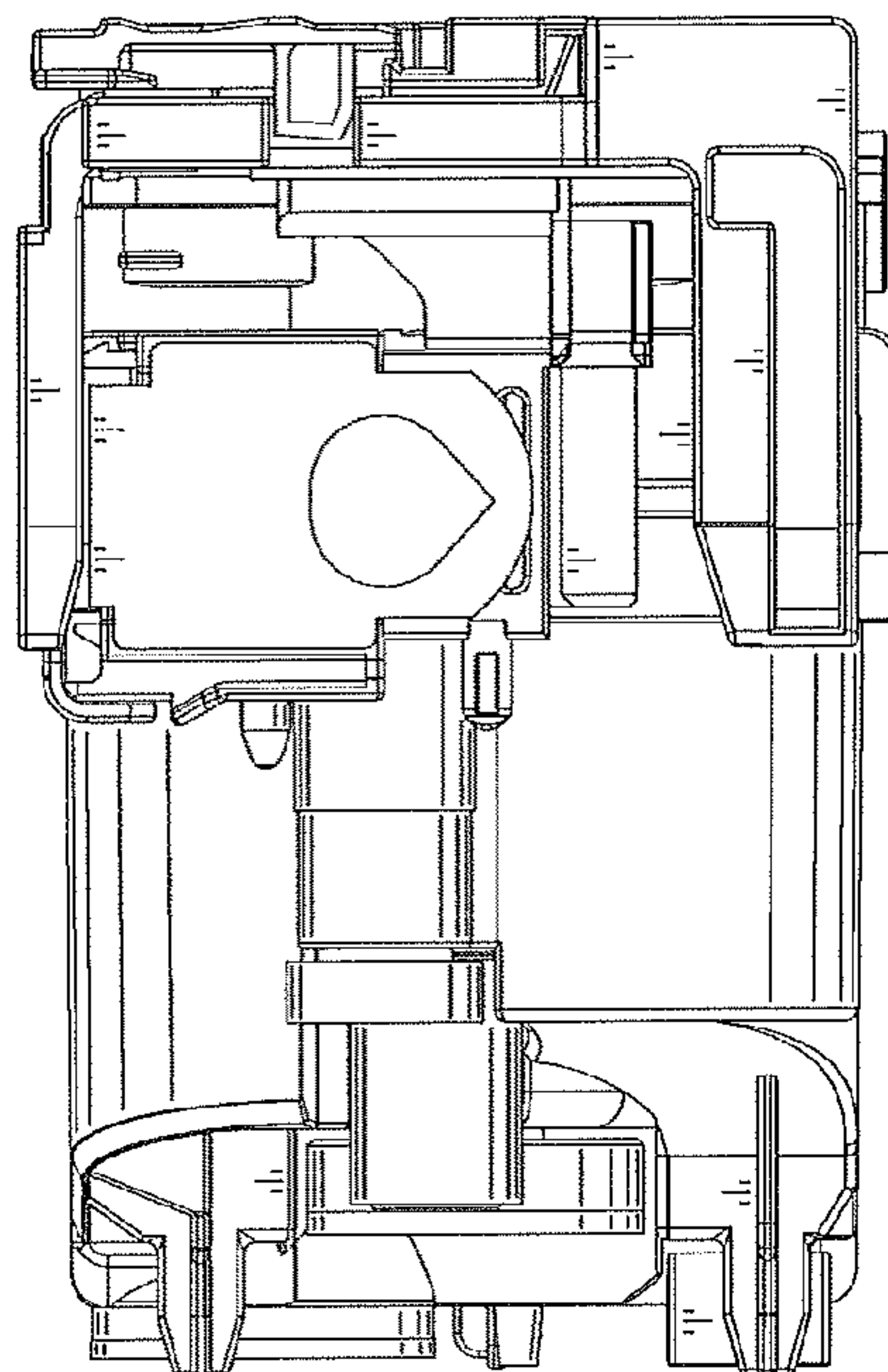


FIG.5

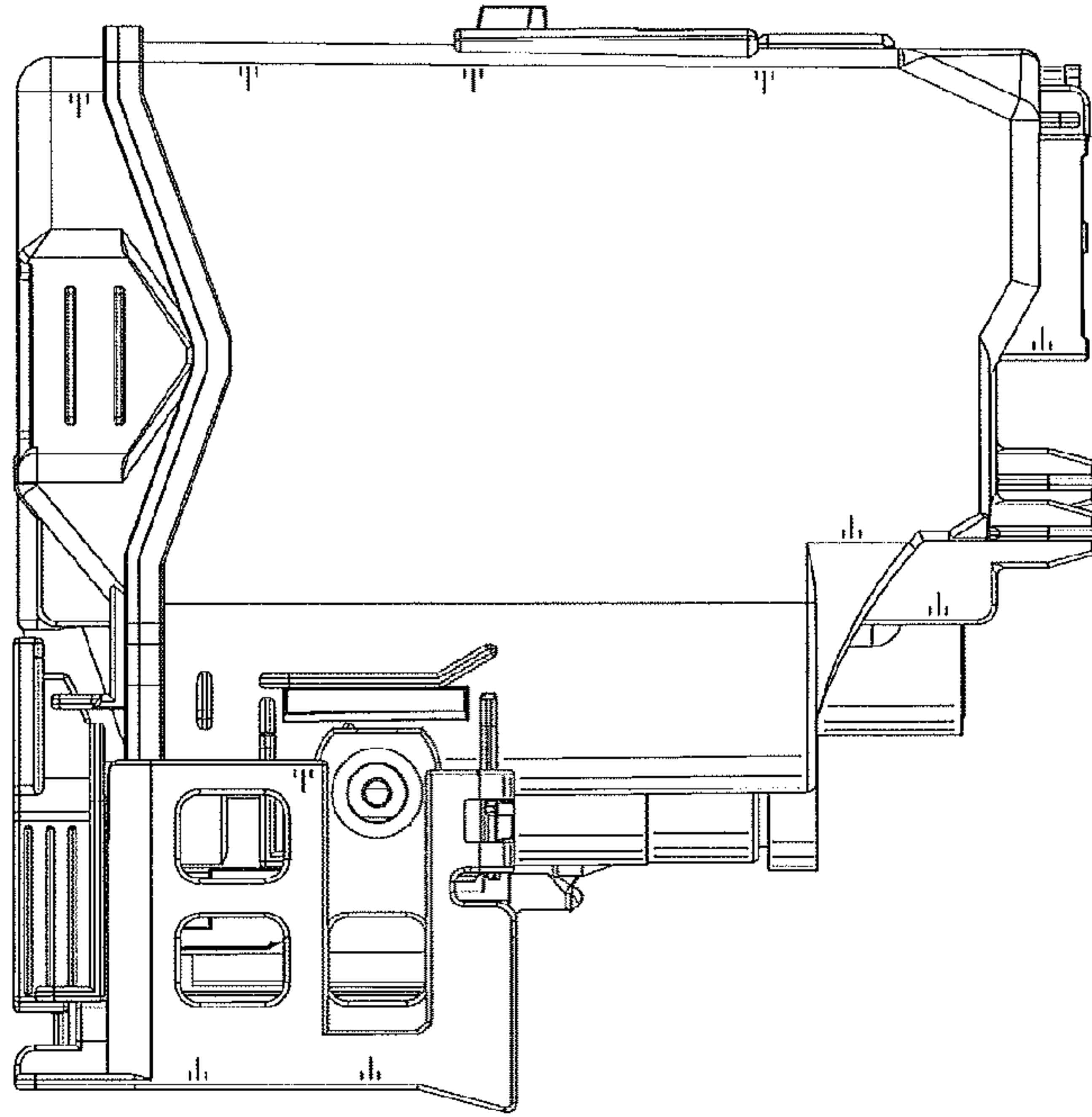


FIG.6

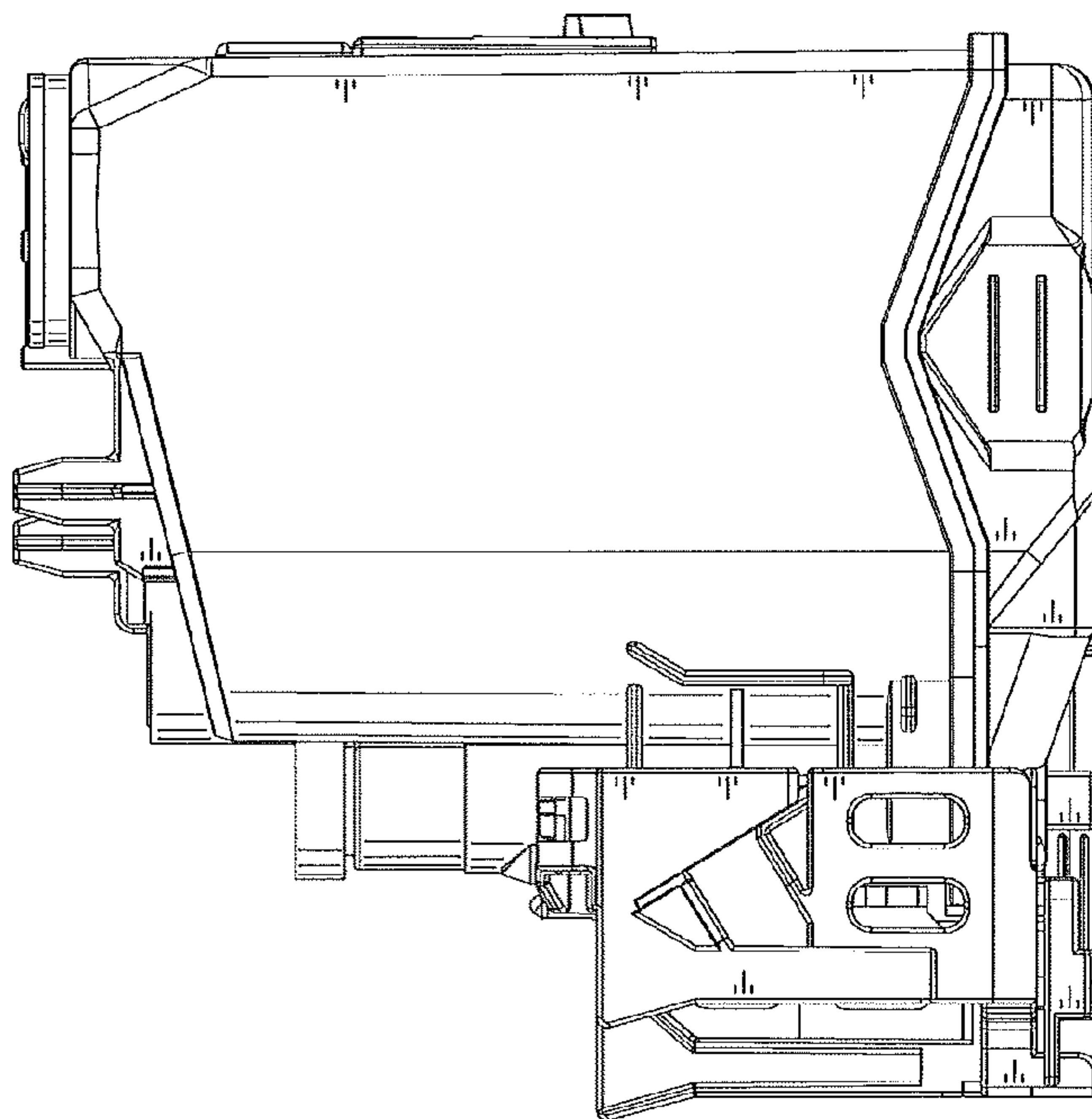


FIG.7

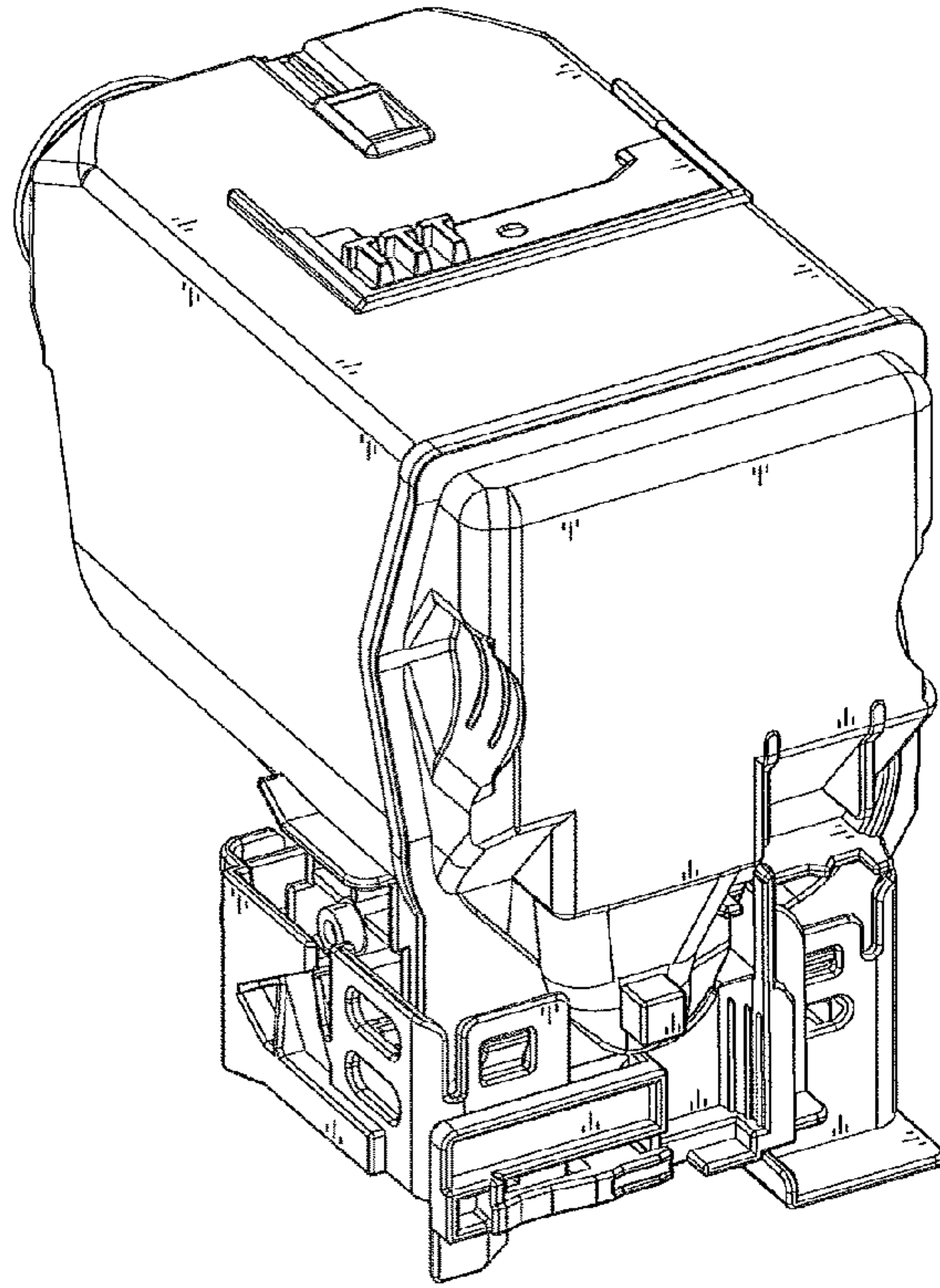


FIG.8

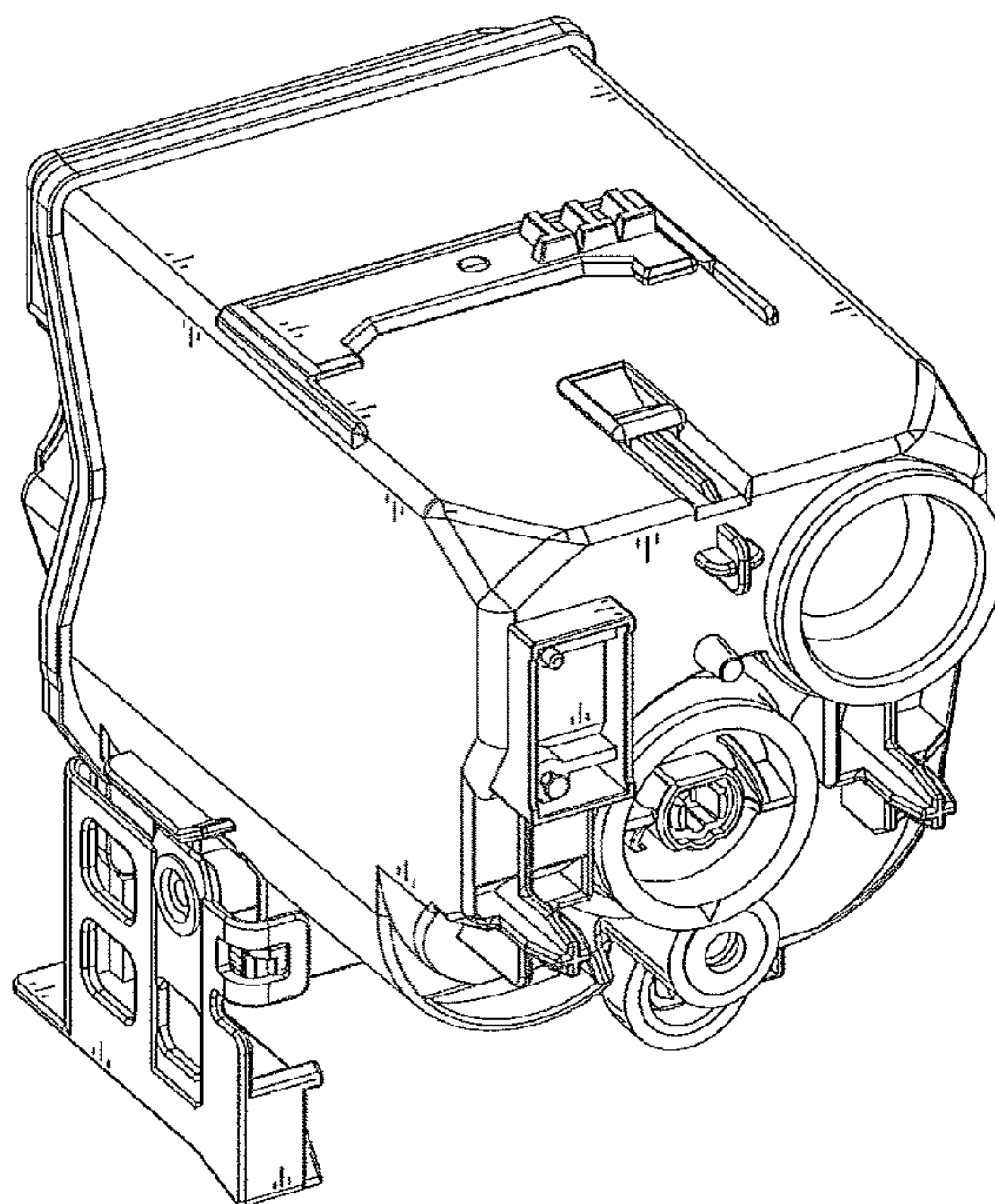


FIG.9

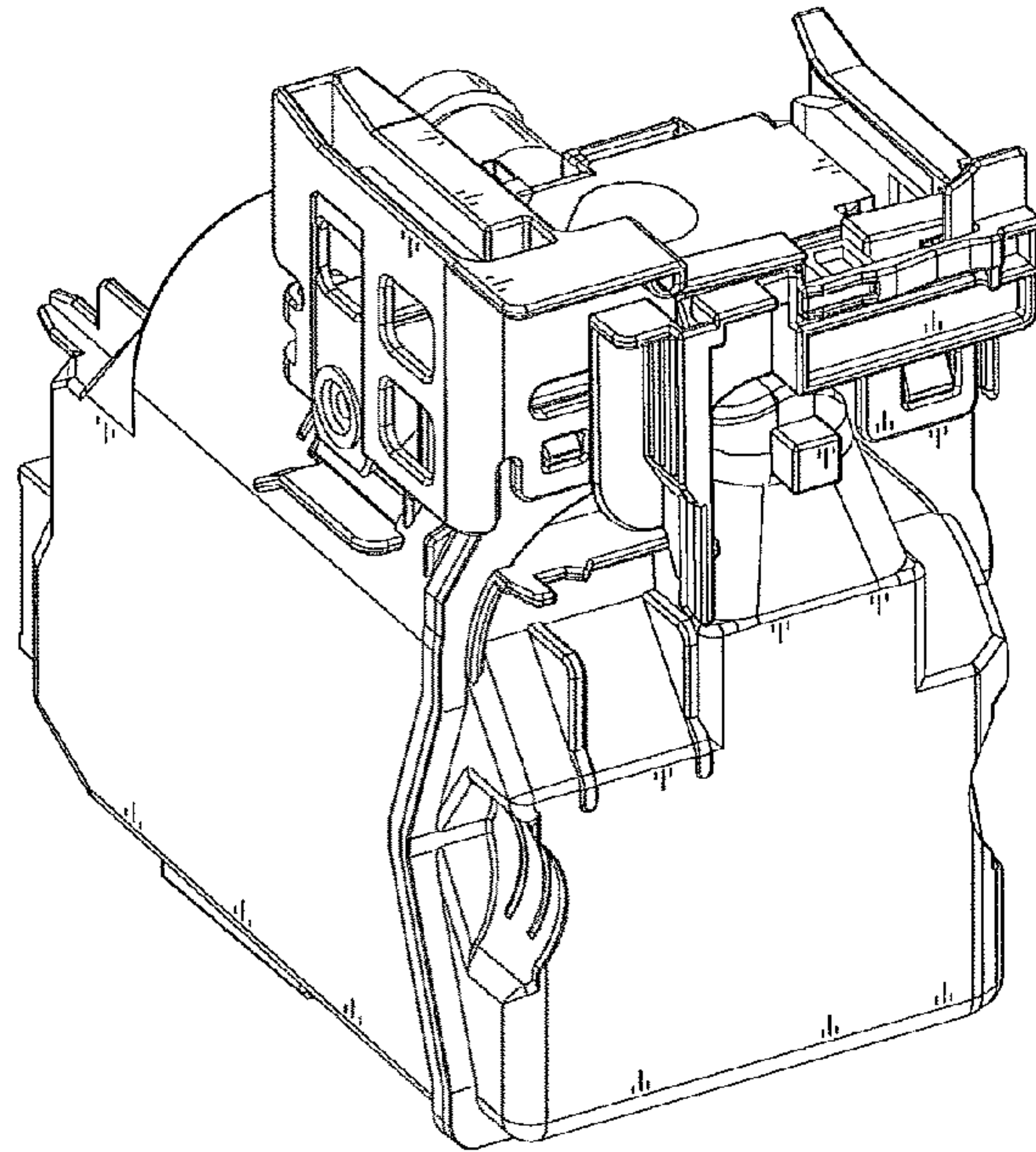


FIG.10

