



US00D644682S

(12) **United States Design Patent**
Gerlier et al.

(10) **Patent No.:** **US D644,682 S**

(45) **Date of Patent:** **** Sep. 6, 2011**

(54) **FRONT PANEL OF A BANKNOTE HANDLER**

(56)

References Cited

(75) Inventors: **André Gerlier**, Sceiz (FR); **Michael D. Nunn**, West Chester, PA (US); **Juan-José Moreno**, Le Mont-sur-Lausanne (CH); **Roberto Polidoro**, Coligny (CH); **Christian Voser**, Geneva (CH)

U.S. PATENT DOCUMENTS

D115,074 S	5/1939	Boetticher	
2,868,115 A	1/1959	Gollwitzer	
3,254,596 A	6/1966	Shoup et al.	
D225,764 S	1/1973	Dusckar	
D233,694 S	11/1974	Tamura	
D258,036 S	1/1981	Sabin	
4,387,949 A	6/1983	Haitmanek	
4,428,501 A *	1/1984	Osako	221/13
D274,520 S *	7/1984	Bressler	D18/49
D279,479 S *	7/1985	Hilton	D18/3.3
D294,597 S	3/1988	Lanagan	
D294,834 S *	3/1988	McDonald	D18/3.3
4,756,695 A	7/1988	Lane et al.	
D299,354 S *	1/1989	Panini	D18/3.3
5,163,672 A *	11/1992	Mennie	271/187
D334,921 S	4/1993	Basara et al.	
D338,905 S *	8/1993	Helgeson	D18/3.3
D339,507 S	9/1993	Ancona et al.	
5,326,931 A	7/1994	Cain et al.	

(Continued)

(73) Assignee: **MEI, Inc.**, West Chester, PA (US)

(**) Term: **14 Years**

(21) Appl. No.: **29/361,172**

(22) Filed: **May 6, 2010**

Related U.S. Application Data

(62) Division of application No. 29/252,290, filed on Jan. 20, 2006, now Pat. No. Des. 617,370.

(30) **Foreign Application Priority Data**

Jul. 26, 2005	(EM)	0003794090001
Jul. 26, 2005	(EM)	0003794090002
Jul. 26, 2005	(EM)	0003794090003
Jul. 26, 2005	(EM)	0003794090004
Jul. 26, 2005	(EM)	0003794090005
Jul. 26, 2005	(EM)	0003794090006
Jul. 26, 2005	(EM)	0003794090007
Jul. 26, 2005	(EM)	0003794090008

(51) **LOC (9) Cl.** **18-01**

(52) **U.S. Cl.** **D18/3.3**

(58) **Field of Classification Search** D18/3.1, D18/3.2, 3.3, 12, 12.1, 12.3, 46, 47, 48, 49, D18/50, 54, 56, 57, 58, 59, 99; 209/534; 235/2, 3, 4, 379; 382/135; 101/2, 3.1, 4, 101/5

See application file for complete search history.

Primary Examiner — Stella Reid

Assistant Examiner — Elizabeth J Oswecki

(74) *Attorney, Agent, or Firm* — Fish & Richardson P.C.

(57)

CLAIM

The ornamental design for a front panel of a banknote handler, as shown and described.

DESCRIPTION

FIG. 1 is a top plan of a front panel of a banknote handler showing our new design;

FIG. 2 is a bottom plan view thereof;

FIG. 3 is a front view thereof;

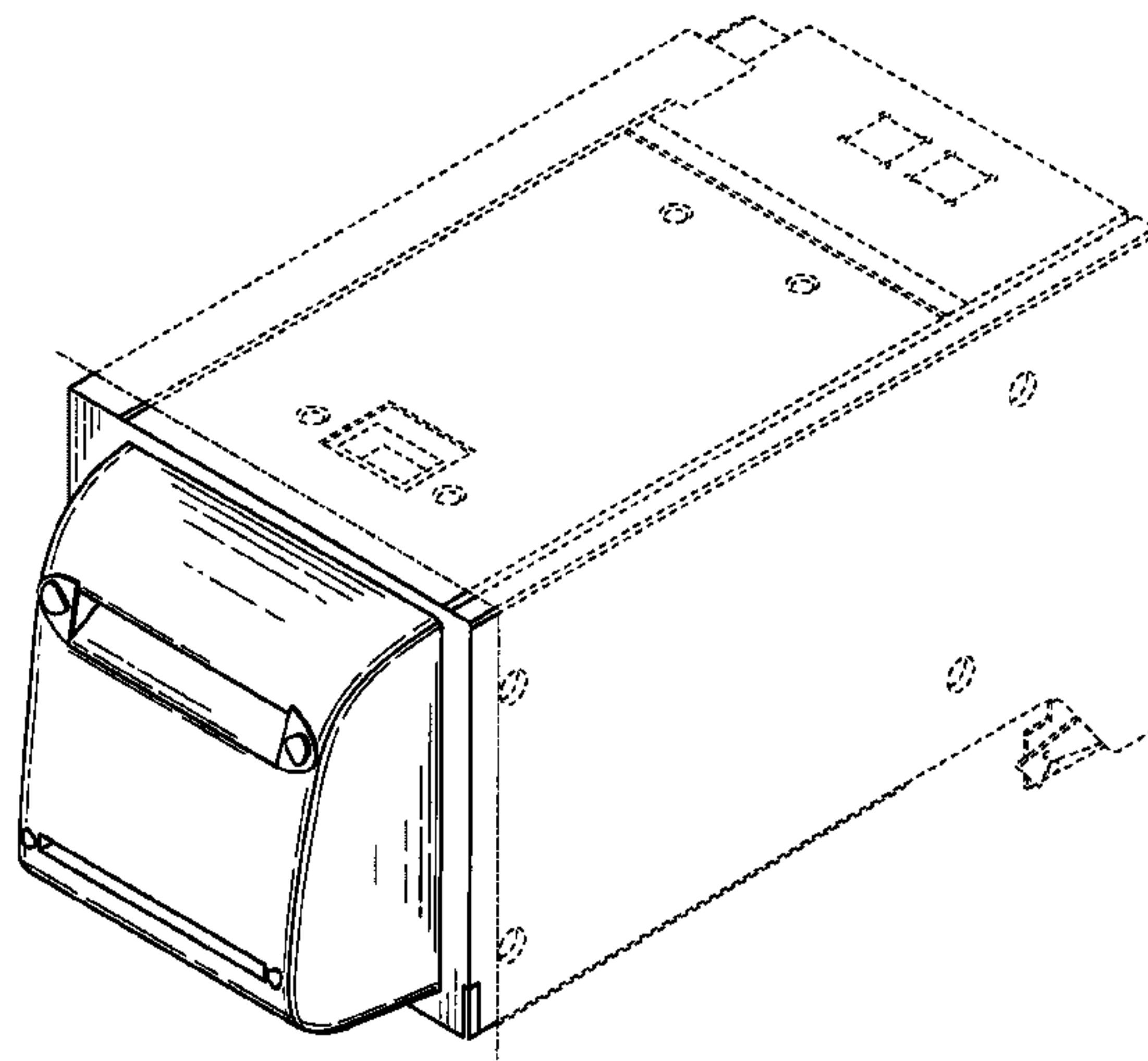
FIG. 4 is an isometric view thereof;

FIG. 5 is a left side view thereof; and,

FIG. 6 is a right side view thereof.

The broken lines in the drawings are included for the purpose of illustration only and form no part of the claimed design.

1 Claim, 4 Drawing Sheets



US D644,682 S

Page 2

U.S. PATENT DOCUMENTS

D369,984	S *	5/1996	Larsen	D10/97	6,772,886	B2 *	8/2004	Werner et al.	209/534
D375,298	S	11/1996	Calfee			6,980,684	B1 *	12/2005	Munro et al.	382/135
D377,766	S *	2/1997	Hidaka et al.	D18/3.3	D517,115	S *	3/2006	Kuwada	D18/3.3
6,028,951	A *	2/2000	Rateman et al.	382/135	D519,016	S	4/2006	Nudo		
D427,623	S *	7/2000	Kuwada et al.	D18/3.1	D539,332	S *	3/2007	Gonzalez	D18/3.3
D438,556	S *	3/2001	Kato et al.	D18/3.3	7,192,023	B2 *	3/2007	Amari et al.	271/9.11
D439,604	S *	3/2001	Takagi et al.	D18/3.3	D562,377	S *	2/2008	Kuroda	D18/3.3
6,216,406	B1	4/2001	Hauser			D590,870	S *	4/2009	Kuwada	D18/3.3
6,328,166	B1	12/2001	Sakai			D592,239	S *	5/2009	Gerlier	D18/3.3
D452,973	S *	1/2002	Kuwada	D18/3.3	D593,148	S *	5/2009	Polidoro	D18/12.1
D457,554	S *	5/2002	Takagi et al.	D18/3.3	D609,739	S *	2/2010	Nunn	D18/3.3
6,459,806	B1 *	10/2002	Rateman et al.	382/135	D614,237	S *	4/2010	Hagiwara et al.	D20/8
D477,349	S *	7/2003	Osada	D18/3.1	D617,370	S *	6/2010	Gerlier et al.	D18/3.3
D482,056	S *	11/2003	Bergeron et al.	D18/3.3	2001/0015211	A1 *	8/2001	Schuler et al.	134/1.3
6,674,000	B2	1/2004	Lambiaso			2003/0118228	A1 *	6/2003	Mennie et al.	382/135
6,768,055	B1	7/2004	Gorin			2005/0035034	A1 *	2/2005	Long et al.	209/534

* cited by examiner

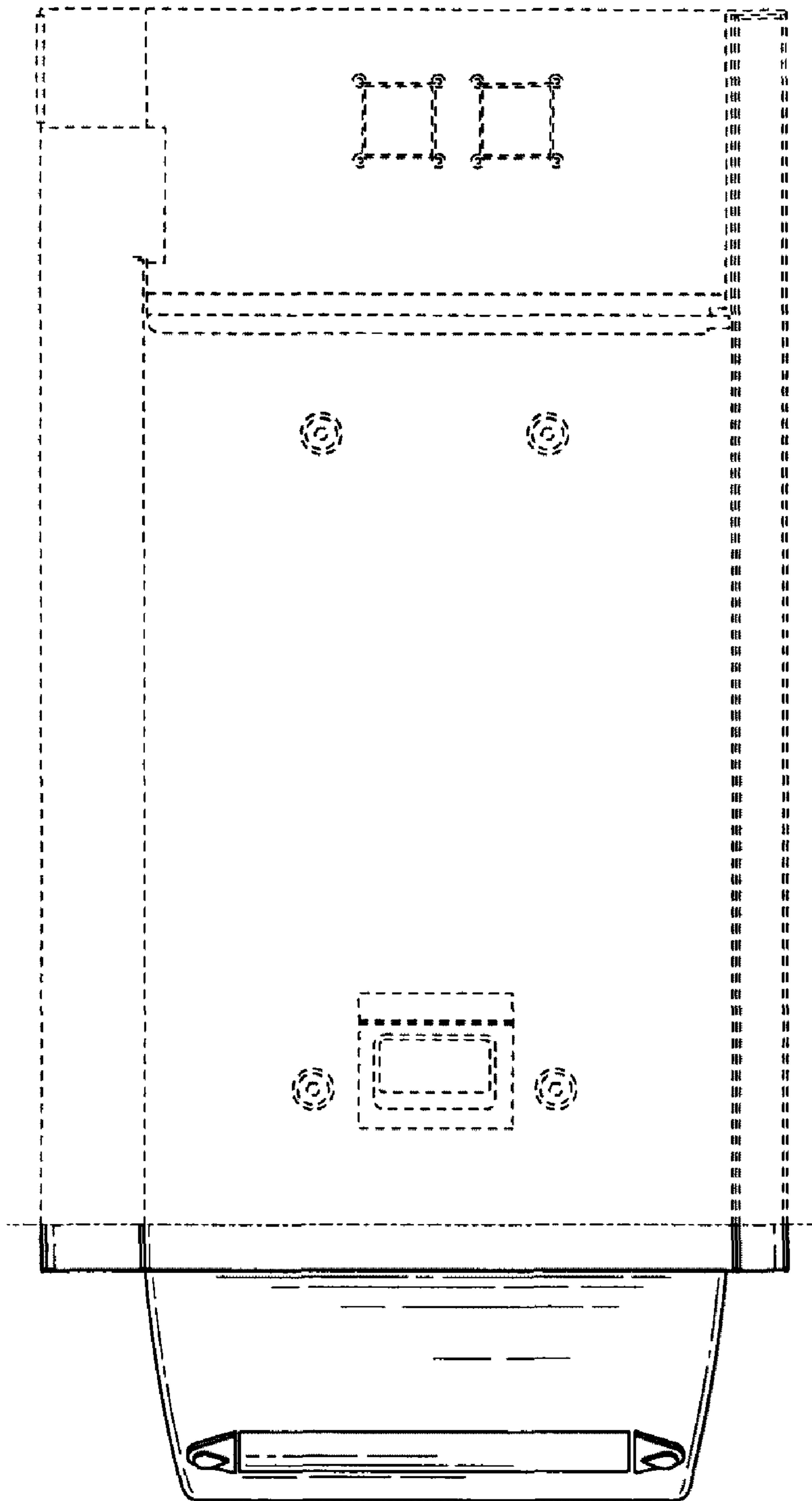


FIG. 1

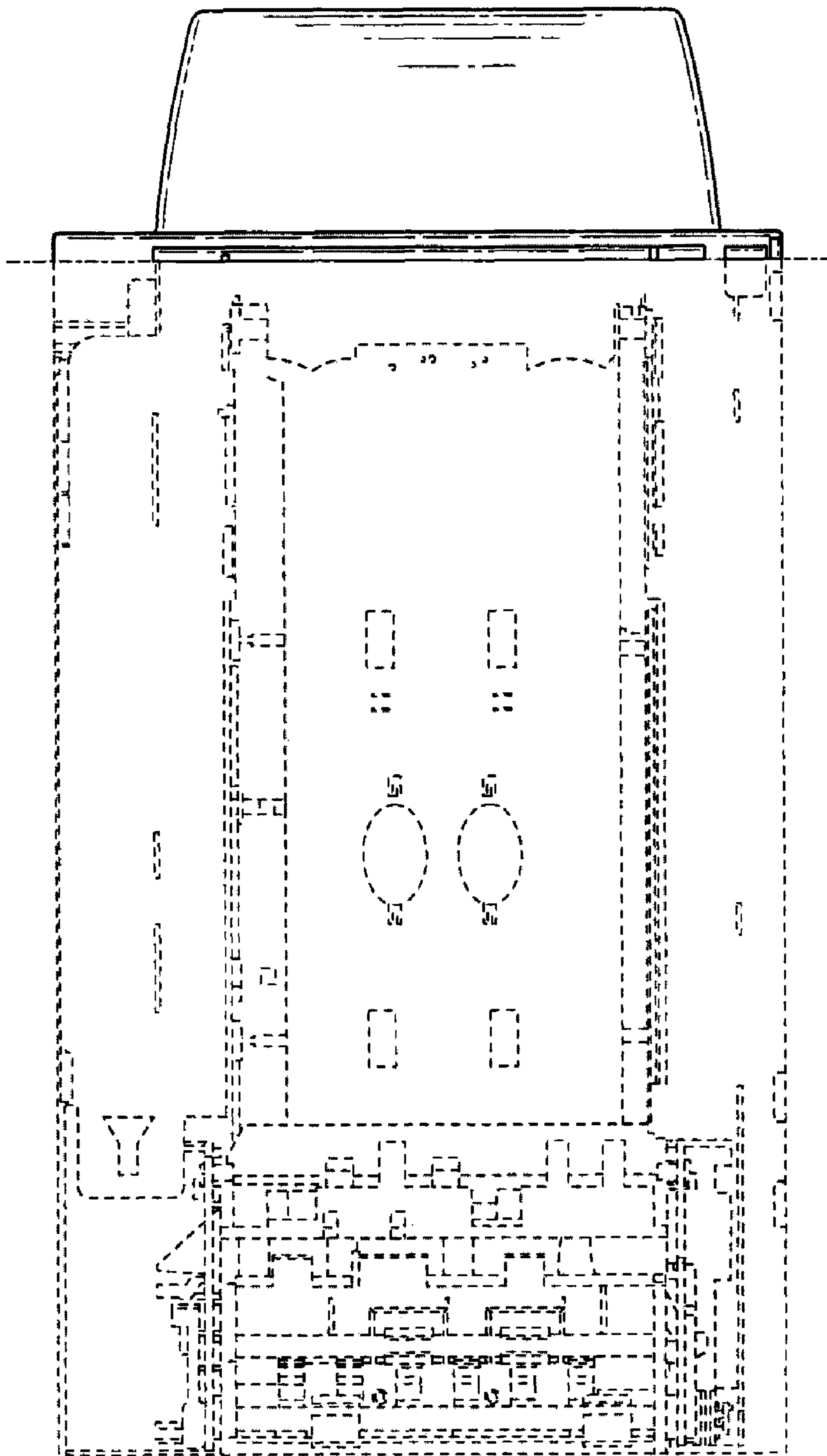


FIG. 2

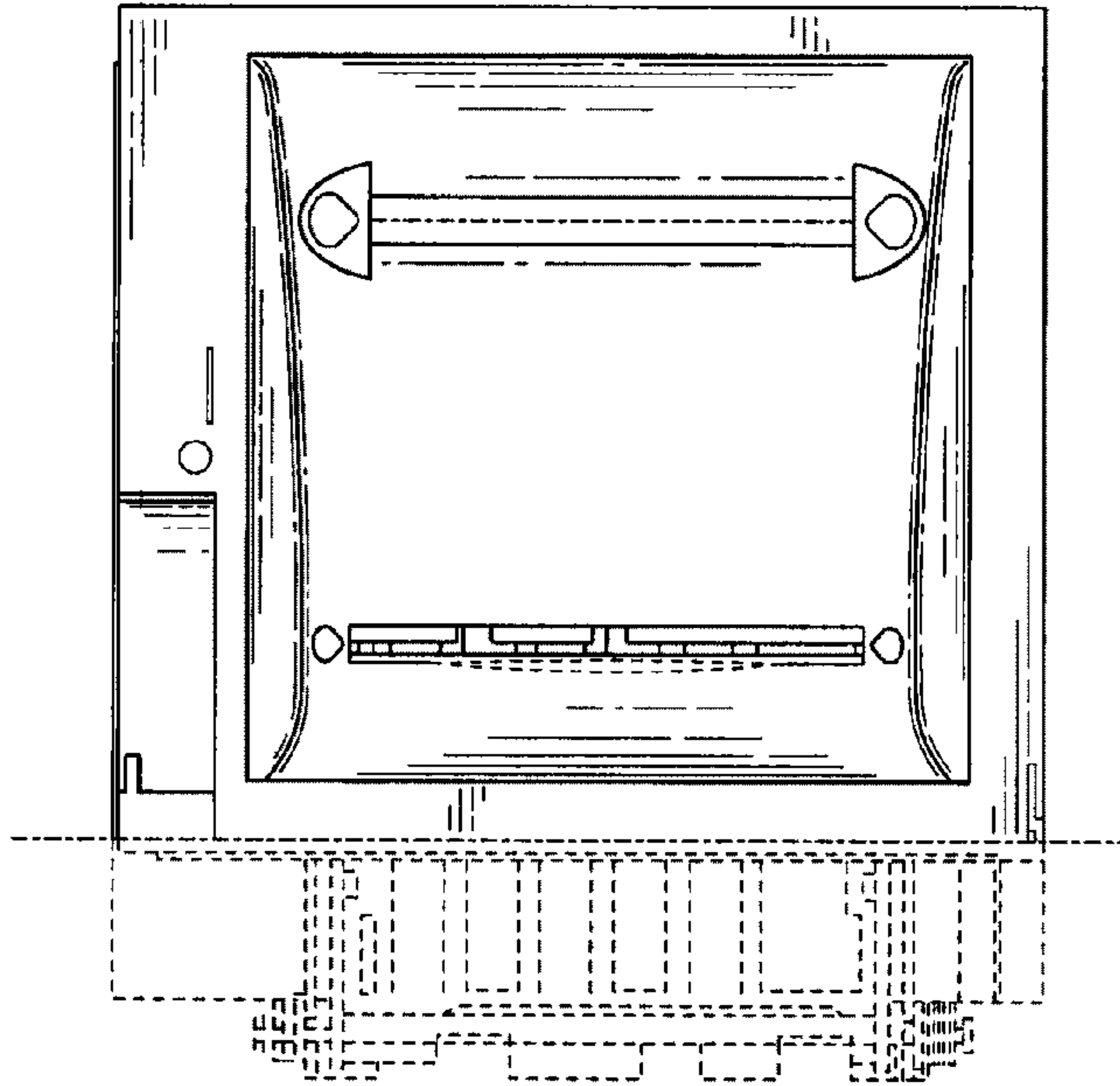


FIG. 3

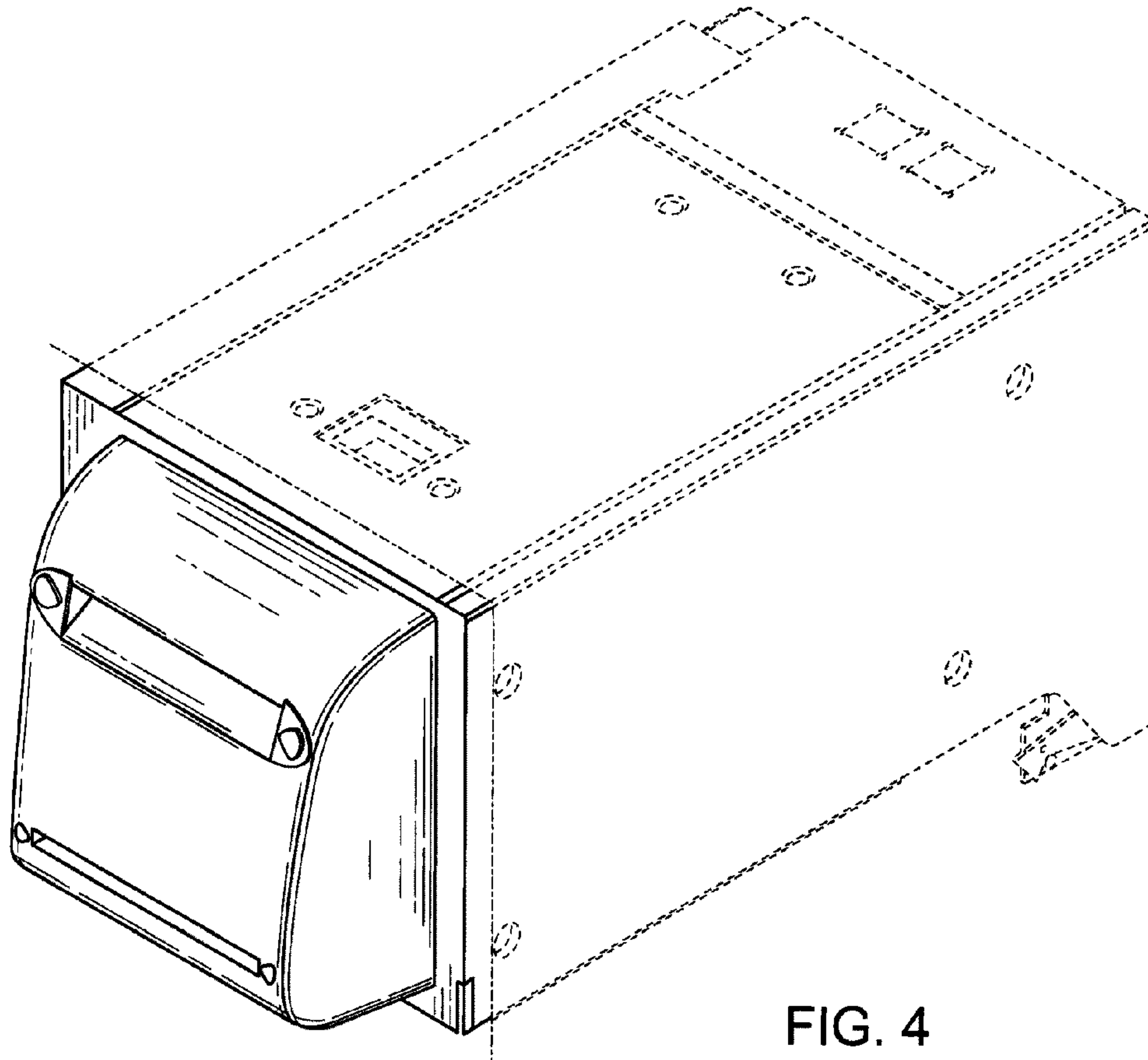


FIG. 4

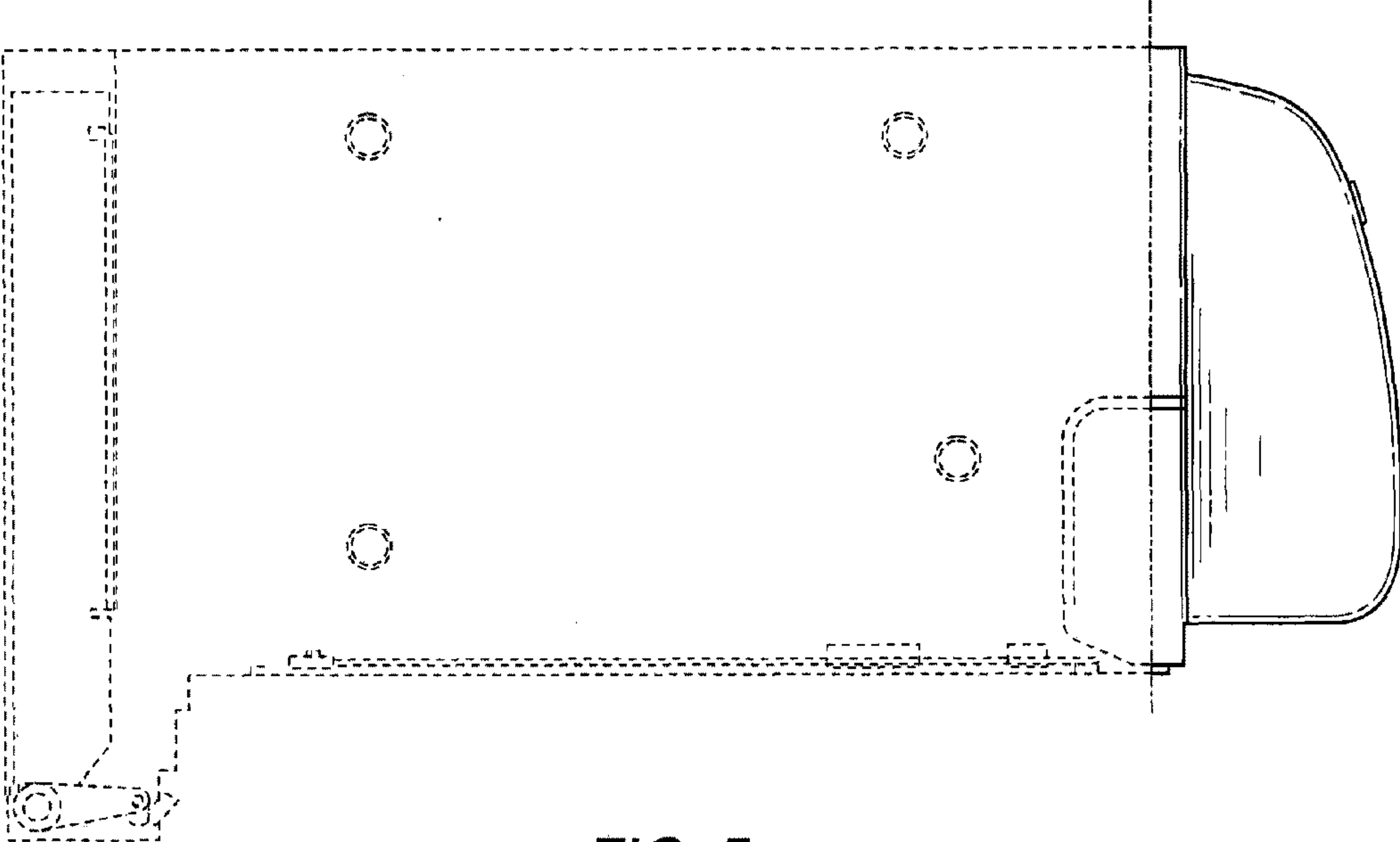


FIG. 5

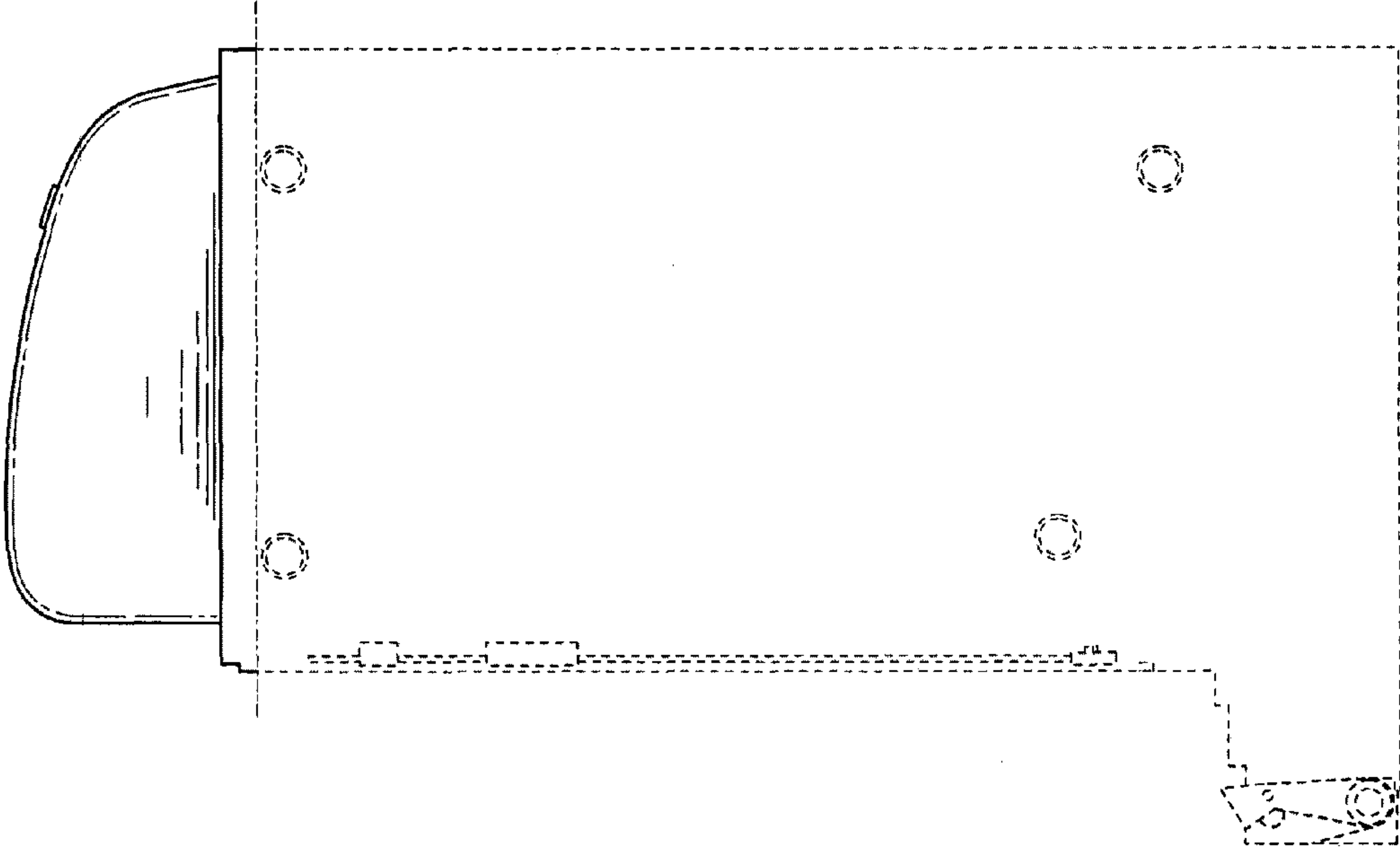


FIG. 6