



US00D644680S

(12) **United States Design Patent**
Suzuki

(10) **Patent No.:** **US D644,680 S**

(45) **Date of Patent:** **** Sep. 6, 2011**

(54) **LIQUID CRYSTAL PROJECTOR**

(75) Inventor: **So Suzuki**, Osaka (JP)

(73) Assignee: **Sanyo Electric Co., Ltd.**, Osaka (JP)

(**) Term: **14 Years**

(21) Appl. No.: **29/347,827**

(22) Filed: **Jun. 17, 2010**

(30) **Foreign Application Priority Data**

Dec. 17, 2009 (JP) 2009-029300
Dec. 17, 2009 (JP) 2009-029301

(51) **LOC (9) Cl.** **16-02**

(52) **U.S. Cl.** **D16/230; D16/225**

(58) **Field of Classification Search** D16/205,
D16/208, 221, 225, 230, 231, 234; D21/514;
353/115, 119, 122; 349/5, 7-8, 58
See application file for complete search history.

(56) **References Cited**

U.S. PATENT DOCUMENTS

D436,979 S * 1/2001 Yokoyama et al. D16/231
D438,884 S * 3/2001 Shiota et al. D16/231
D450,077 S * 11/2001 Isono D16/230
D457,179 S * 5/2002 Saeki et al. D16/230
D460,777 S * 7/2002 Oka D16/230
D466,143 S * 11/2002 Torikai D16/230
6,854,848 B2 * 2/2005 Fujimori et al. 349/5

6,866,389 B2 * 3/2005 Ito et al. 353/119
D574,406 S * 8/2008 Sakamaki et al. D16/230
D597,581 S * 8/2009 Sakamaki et al. D16/230
D623,678 S * 9/2010 Nakayama et al. D16/225

FOREIGN PATENT DOCUMENTS

JP 1289231 12/2006
JP 1371212 10/2009
JP 1371213 10/2009

* cited by examiner

Primary Examiner — Stella Reid

Assistant Examiner — Wan Laymon

(74) *Attorney, Agent, or Firm* — Rabin & Berdo, PC

(57) **CLAIM**

The ornamental design for a liquid crystal projector, as shown and described.

DESCRIPTION

FIG. 1 is a perspective view of a liquid crystal projector showing my new design;

FIG. 2 is a front elevation view thereof;

FIG. 3 is a rear perspective view thereof;

FIG. 4 is a top plan view thereof;

FIG. 5 a bottom plan view thereof;

FIG. 6 is a left side view thereof;

FIG. 7 is a right side view thereof; and,

FIG. 8 is a rear perspective view thereof.

The broken lines shown in the figures are for illustrative purposes only and form no part of the claimed design.

1 Claim, 6 Drawing Sheets

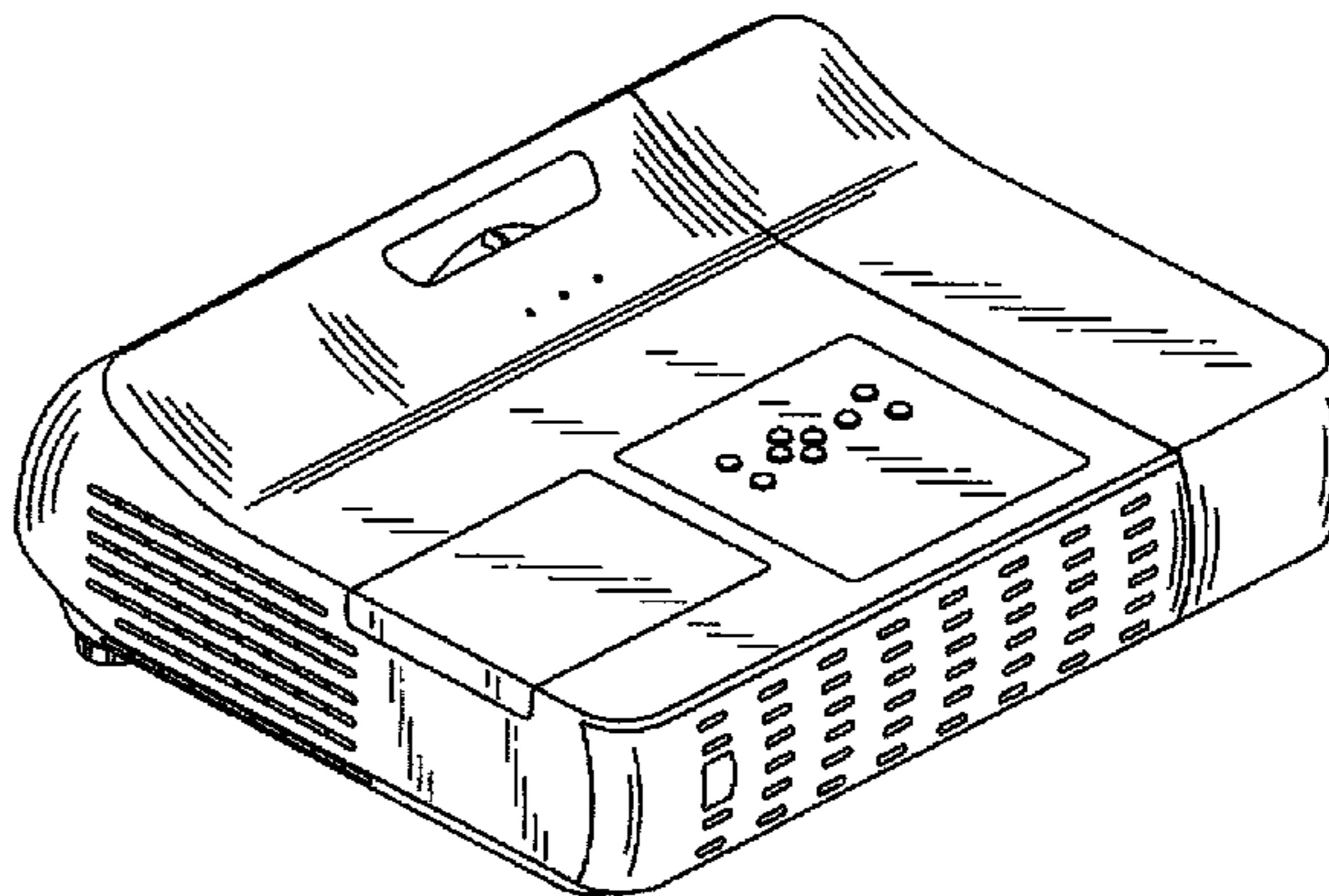
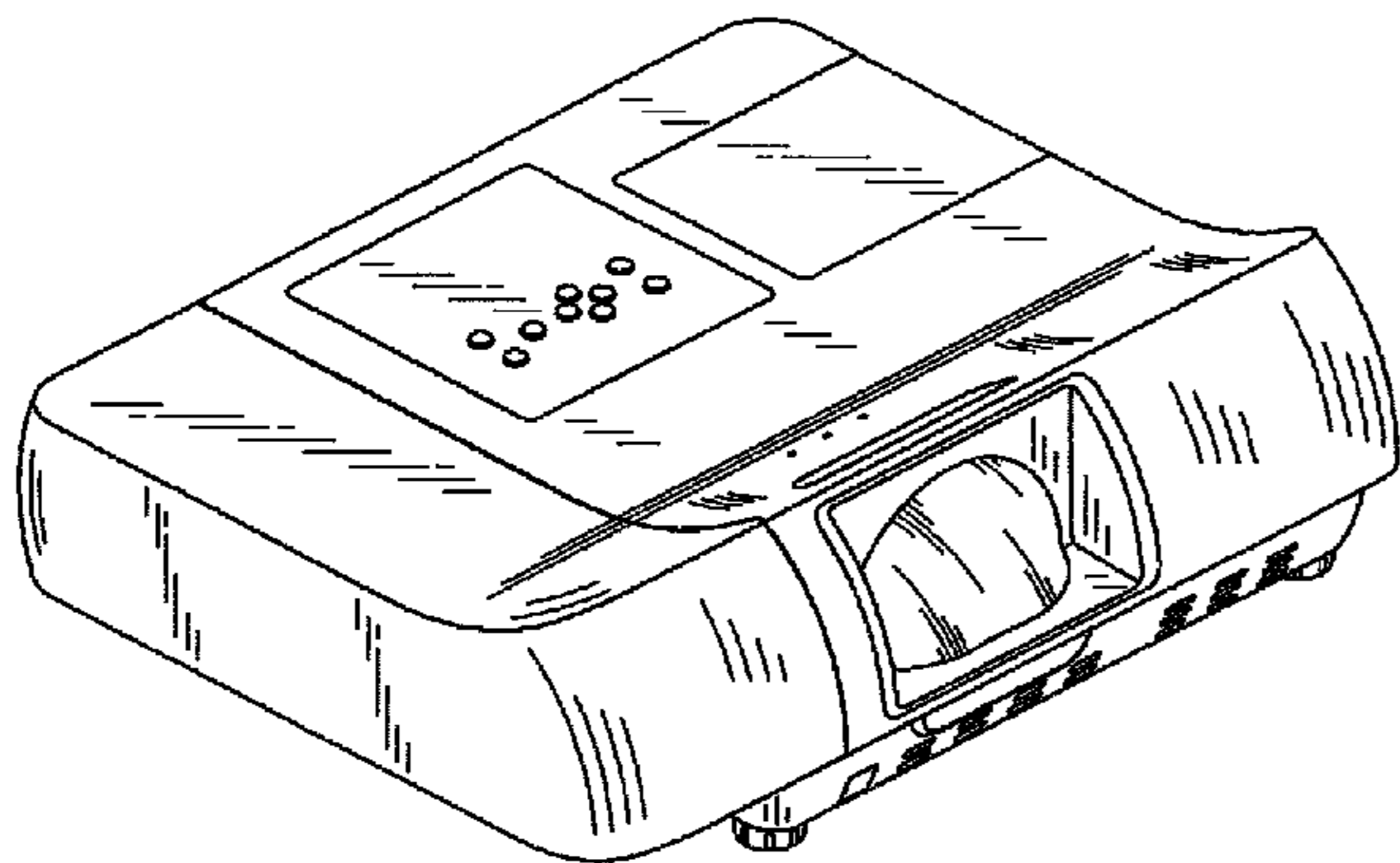


FIG. 1

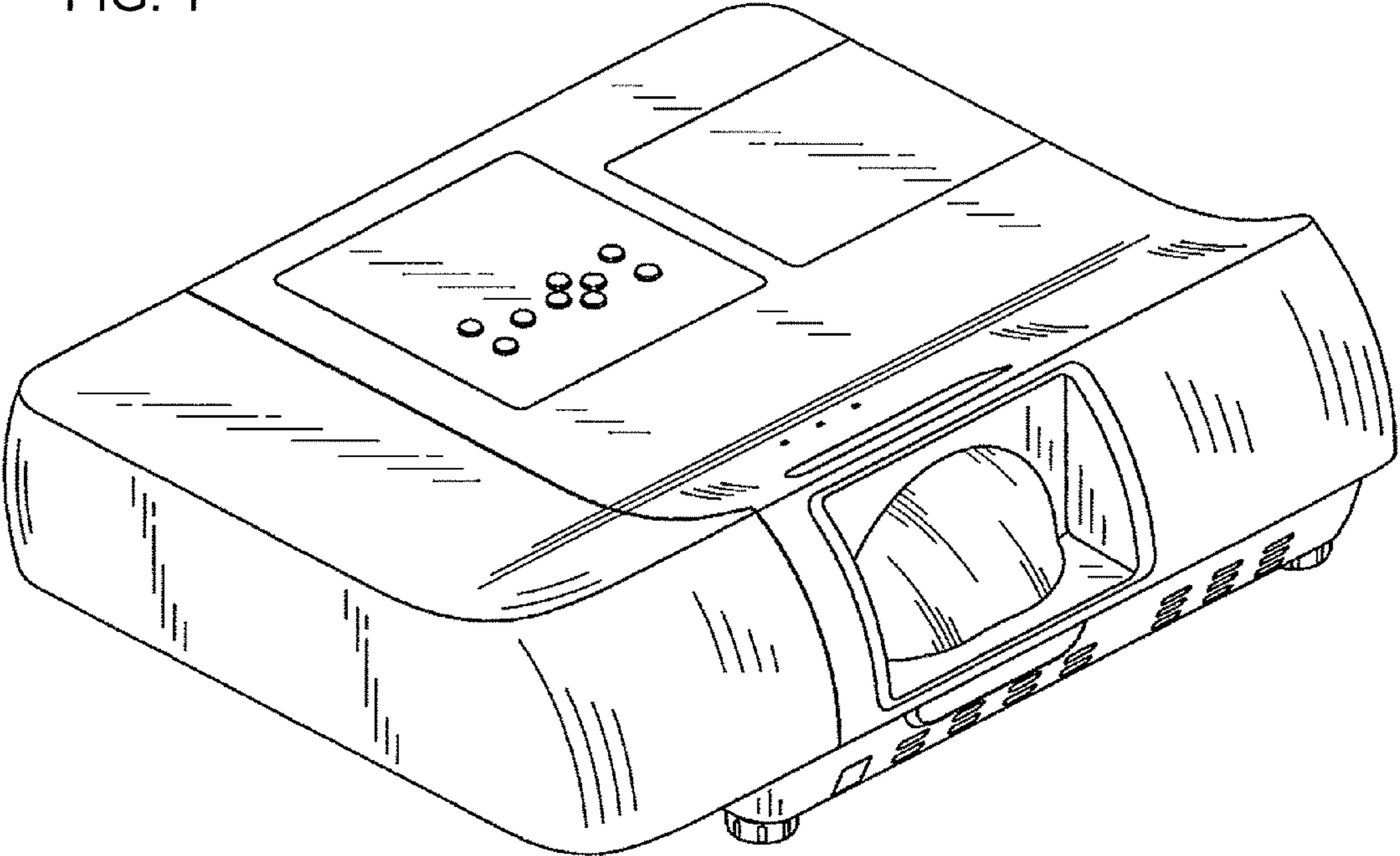


FIG. 2

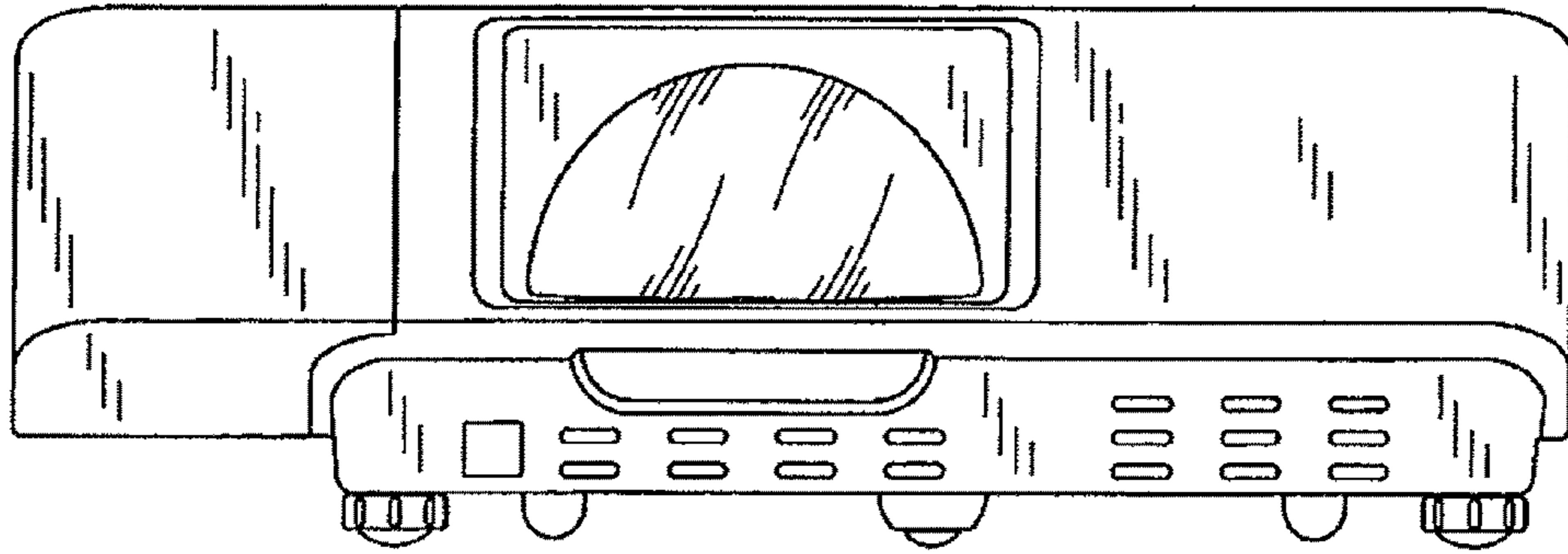


FIG. 3

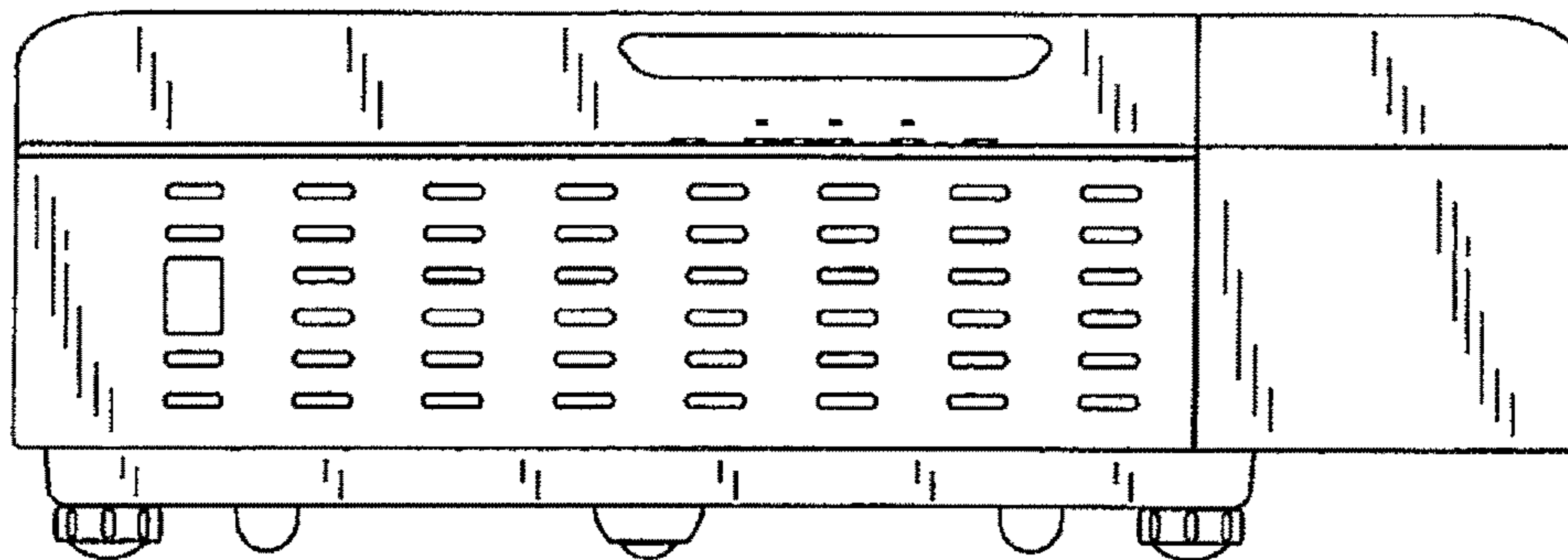


FIG. 4

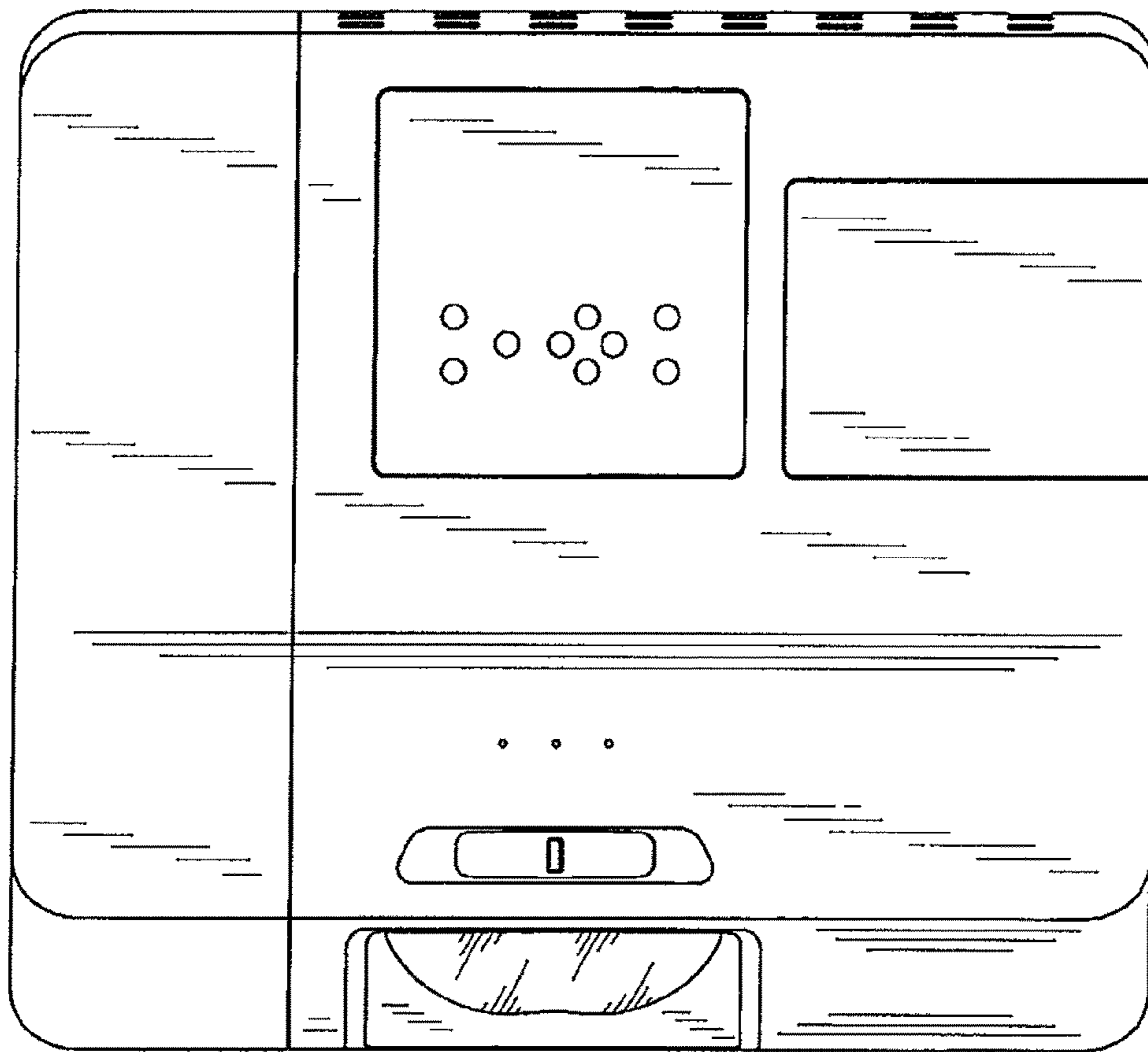


FIG. 5

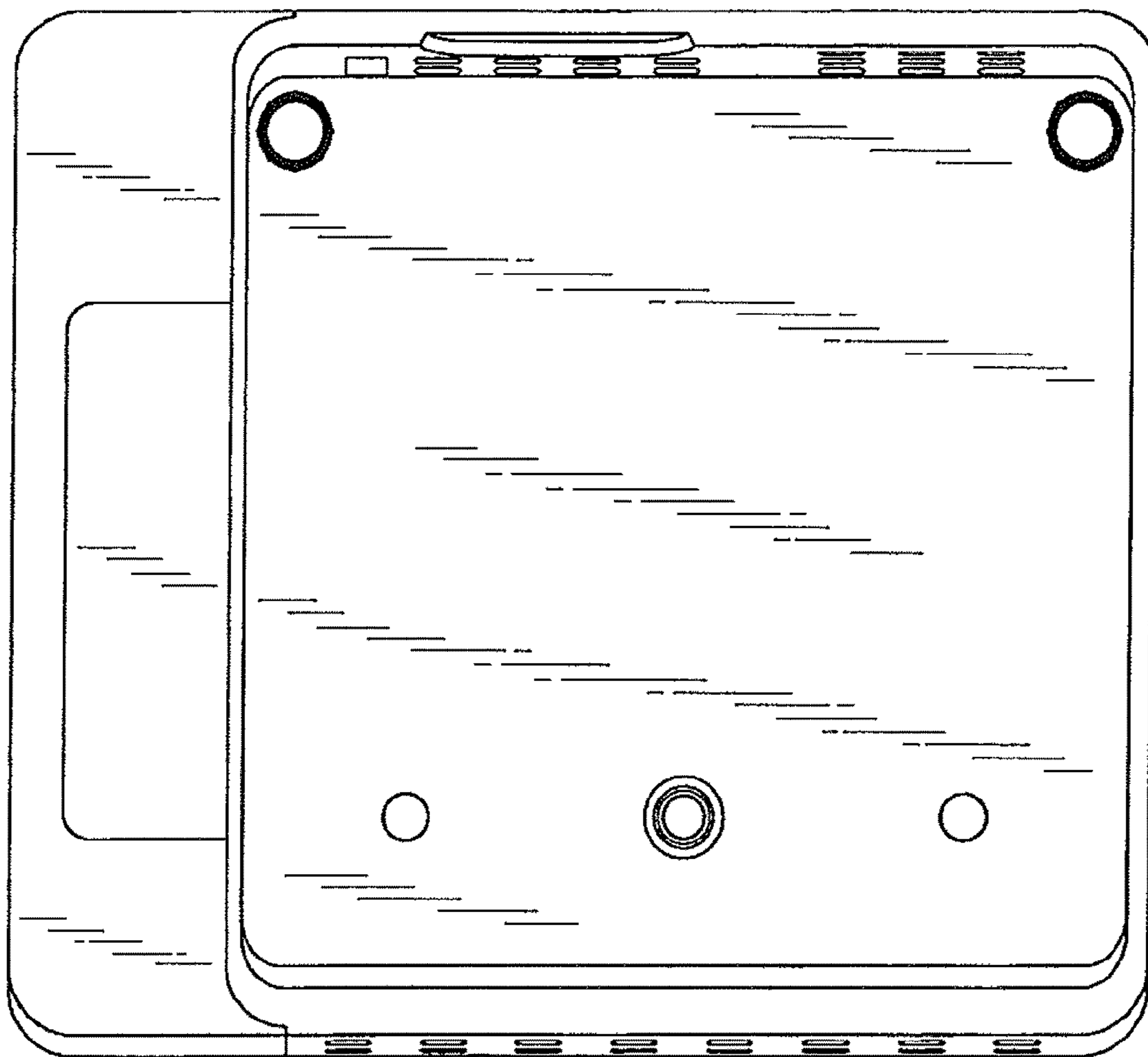


FIG. 6

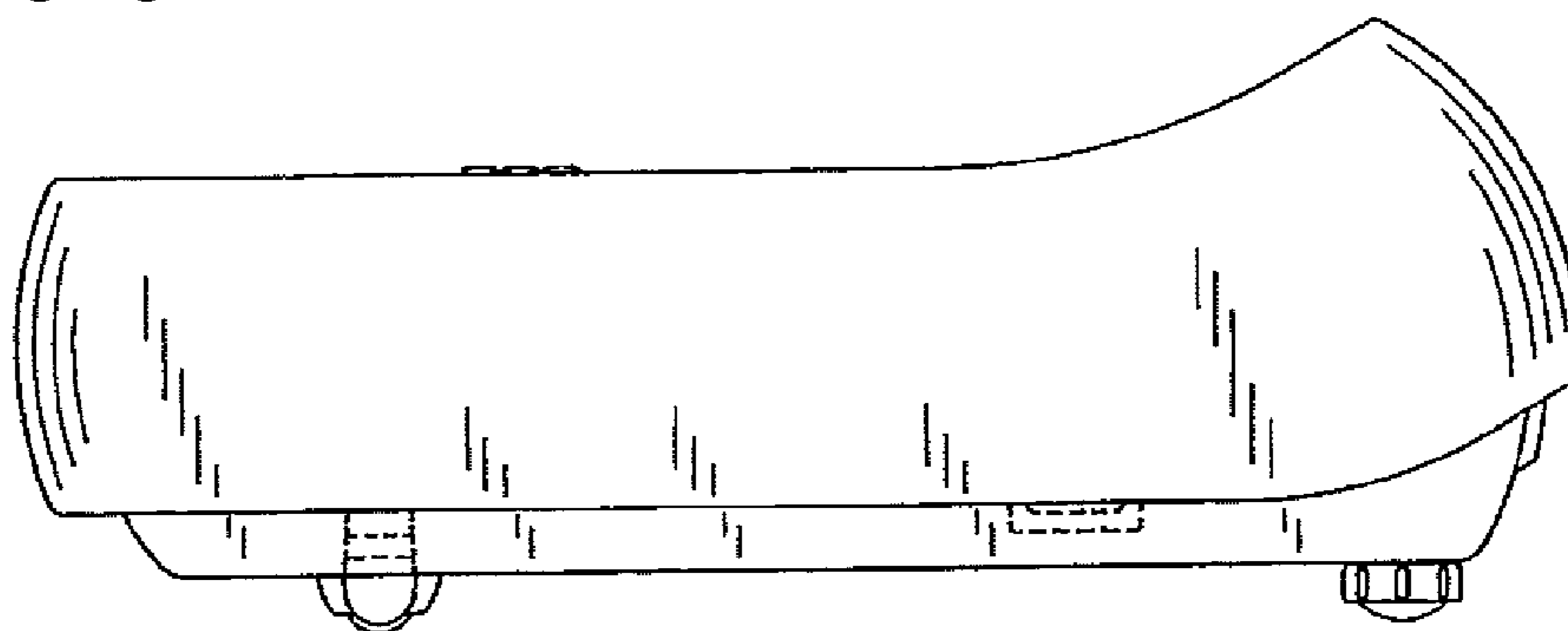


FIG. 7

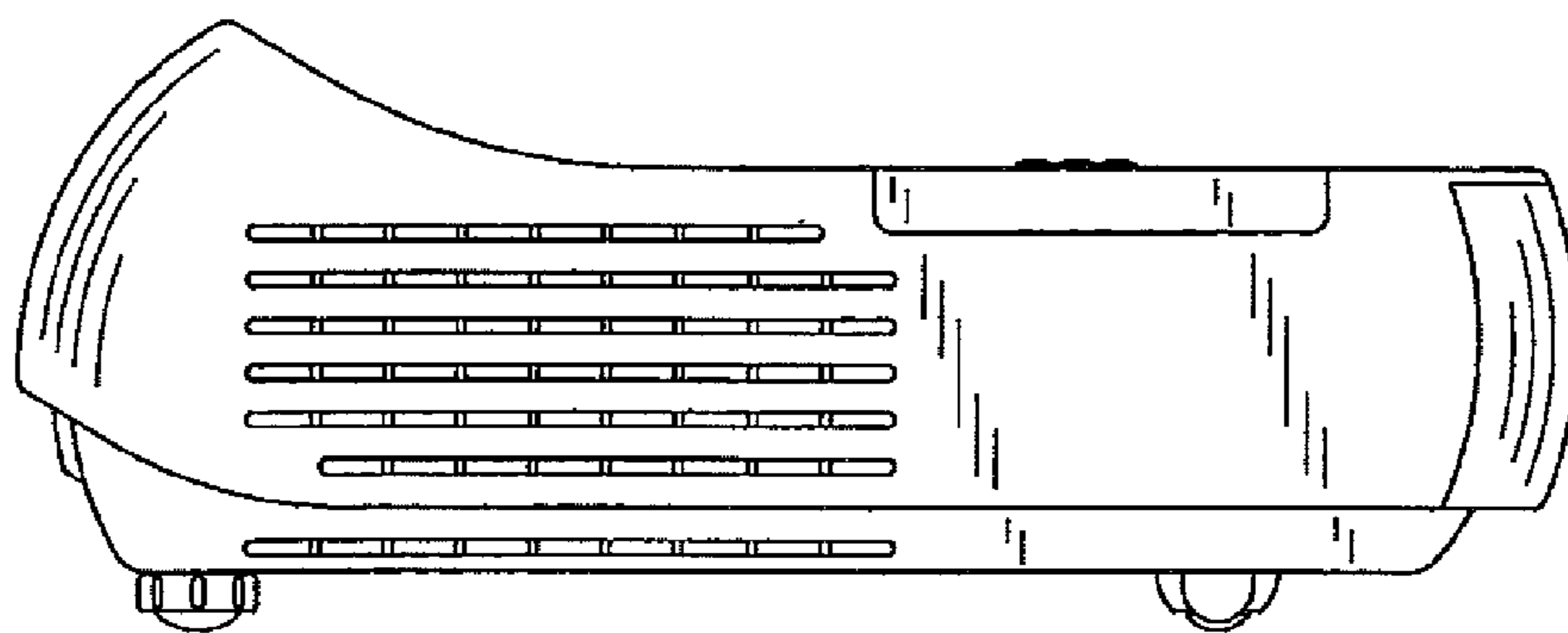


FIG. 8

