



US00D644679S

(12) **United States Design Patent**
Woodman

(10) **Patent No.:** **US D644,679 S**

(45) **Date of Patent:** **** *Sep. 6, 2011**

(54) **LENS WINDOW FOR CAMERA HOUSING**

D582,955 S 12/2008 Sekine et al.
D600,265 S * 9/2009 Miyashita D16/219
7,690,852 B2 * 4/2010 Kato et al. 396/529

(75) Inventor: **Nicholas D. Woodman**, Sausalito, CA
(US)

(73) Assignee: **Woodman Labs**, Half Moon Bay, CA
(US)

(**) Term: **14 Years**

(21) Appl. No.: **29/342,526**

(22) Filed: **Aug. 26, 2009**

(51) **LOC (9) Cl.** **16-05**

(52) **U.S. Cl.** **D16/219; D16/134**

(58) **Field of Classification Search** D16/134,
D16/136, 200, 204, 217, 218, 219; 348/373–374;
359/814, 815, 819, 826–828; 396/25, 529,
396/535

See application file for complete search history.

(56) **References Cited**

U.S. PATENT DOCUMENTS

D96,348 S	7/1935	Teaque	
D150,289 S	7/1948	Crapsey	
4,646,141 A	2/1987	Timmermans et al.	
D388,109 S	* 12/1997	Kimura et al. D16/217
D441,386 S	5/2001	Yamazaki	
D460,474 S	7/2002	Gotham et al.	
D474,221 S	5/2003	Cheng	
D491,968 S	6/2004	Isshiki	
D528,580 S	* 9/2006	Sumita D16/202
D540,841 S	* 4/2007	Yamagishi D16/219
7,295,388 B2	* 11/2007	Shyu et al. 359/814
D562,374 S	* 2/2008	Miyashita D16/217

OTHER PUBLICATIONS

“GoPro Hero 3 Sports Wrist Camera Review,” PaddleDogNation, 2006, [Online] [Retrieved on Aug. 8, 2007] Retrieved from the Internet<URL:http://paddledognation.com/Reviews/PaddlingGear-Reviews/Hero3Ca...>.

Huang, J., “Part 19—Oct. 21: Interbike Bits and Baubles,” Interbike Show, Las Vegas, Nevada, USA, Sep. 22-26, 2008, Cyclingnews.com, [Online] [Retrieved on Oct. 21, 2008] Retrieved from the Internet<URL:http://www.cyclingnews.com/tech/2008/shows/interbike08/?id=result...>.

“Tekkno Trading Project—Brandnews,” NSP, Jan. 2008, p. 59.
Volk, W., “Go Pro’s Digital Hero Camera,” Divester, Posted Dec. 5, 2008, [Online] [Retrieved on Sep. 16, 2009] Retrieved from the Internet<URL:http://www.divester.com/2006/12/05/go-pro-digital-hero-camera/>.

* cited by examiner

Primary Examiner — Adir Aronovich

(74) *Attorney, Agent, or Firm* — Fenwick & West LLP

(57) **CLAIM**

The ornamental design for a lens window for a camera housing, as shown and described.

DESCRIPTION

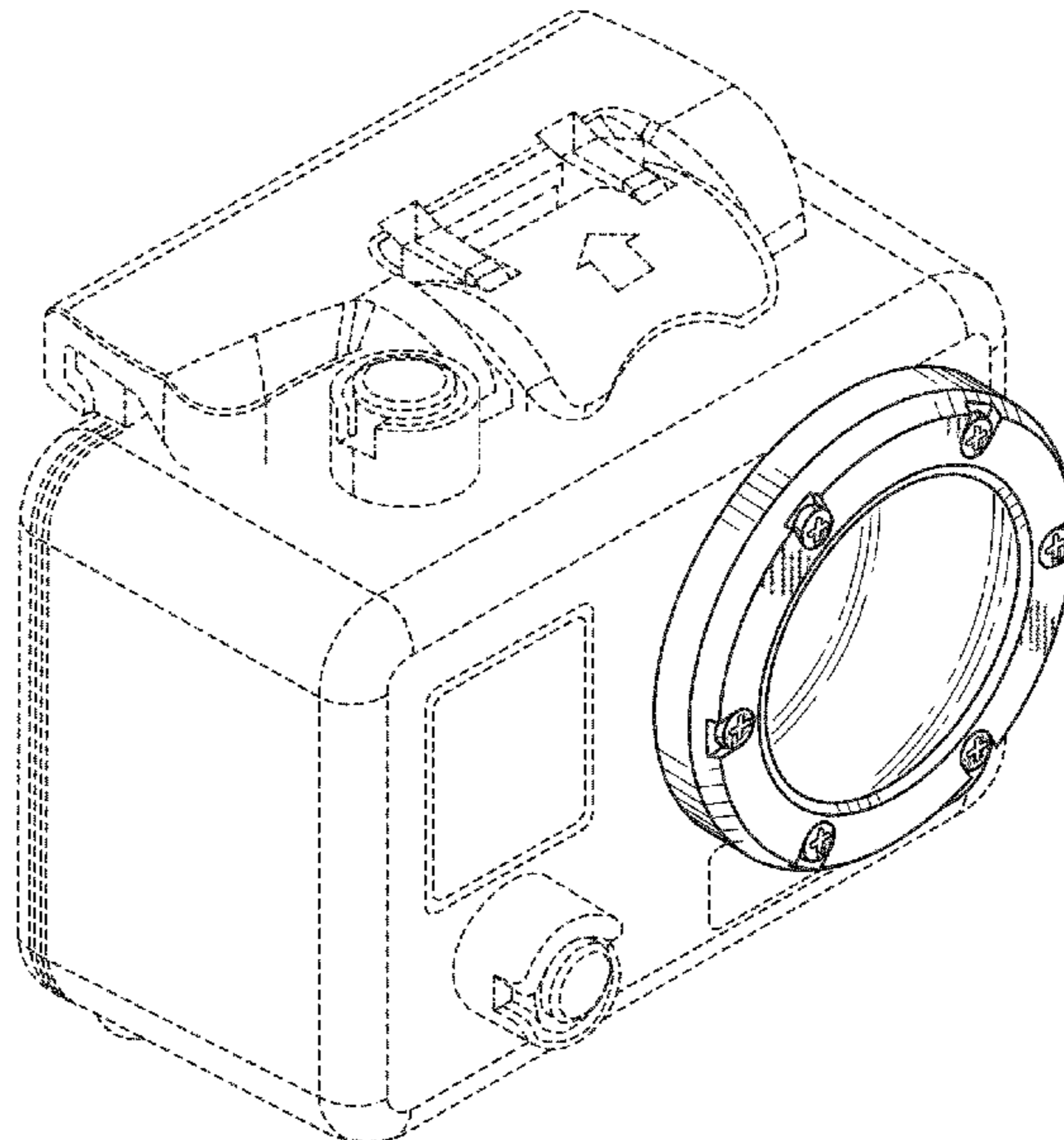
FIG. 1 is a front perspective view of a lens window for a camera housing;

FIG. 2 is a front elevational view thereof; and,

FIG. 3 is a right side elevational view thereof.

The broken lines in the drawings showing portions of the camera housing are included for the purpose of illustrating environmental structure and form no part of the claimed design.

1 Claim, 3 Drawing Sheets



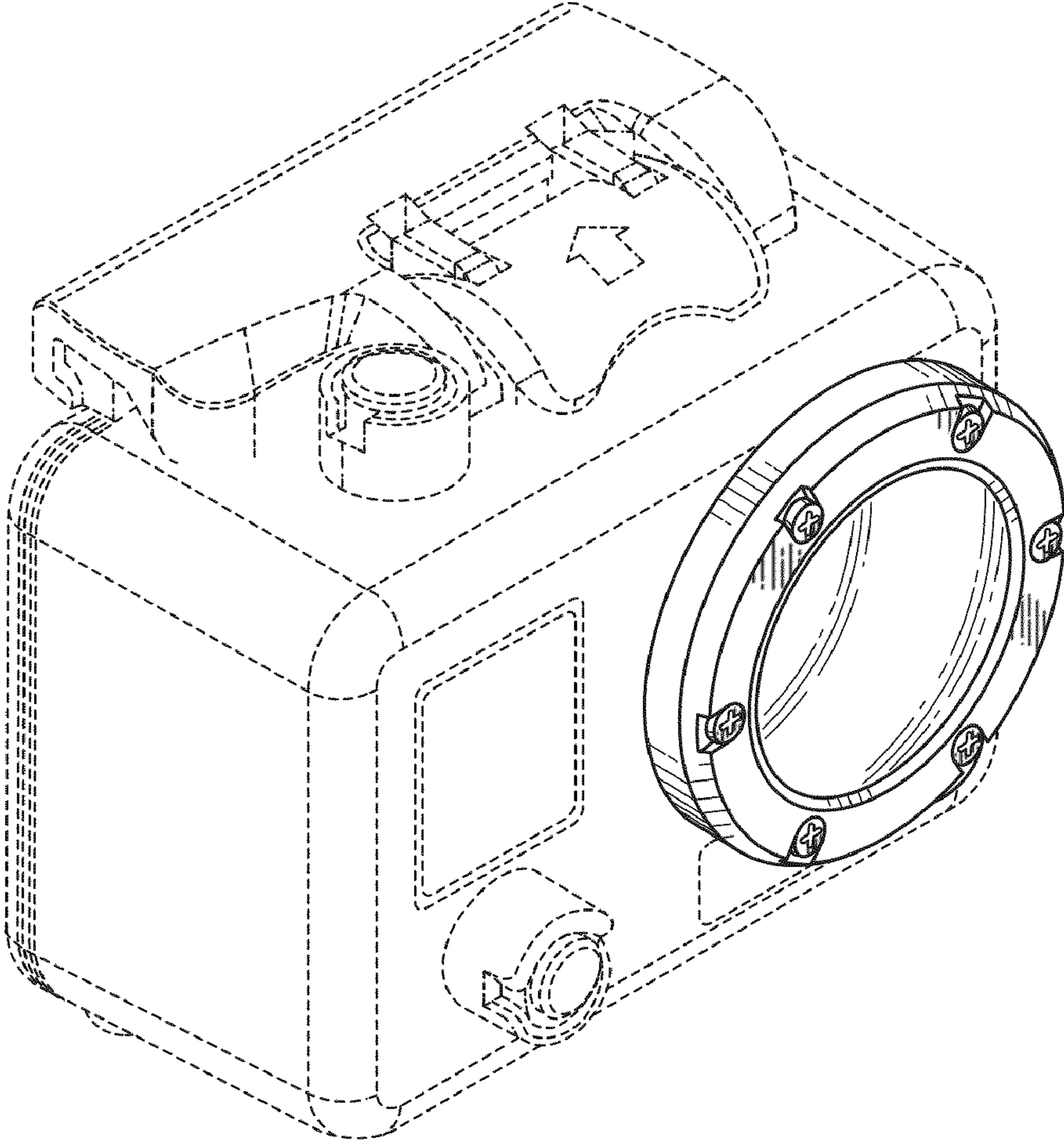


FIG. 1

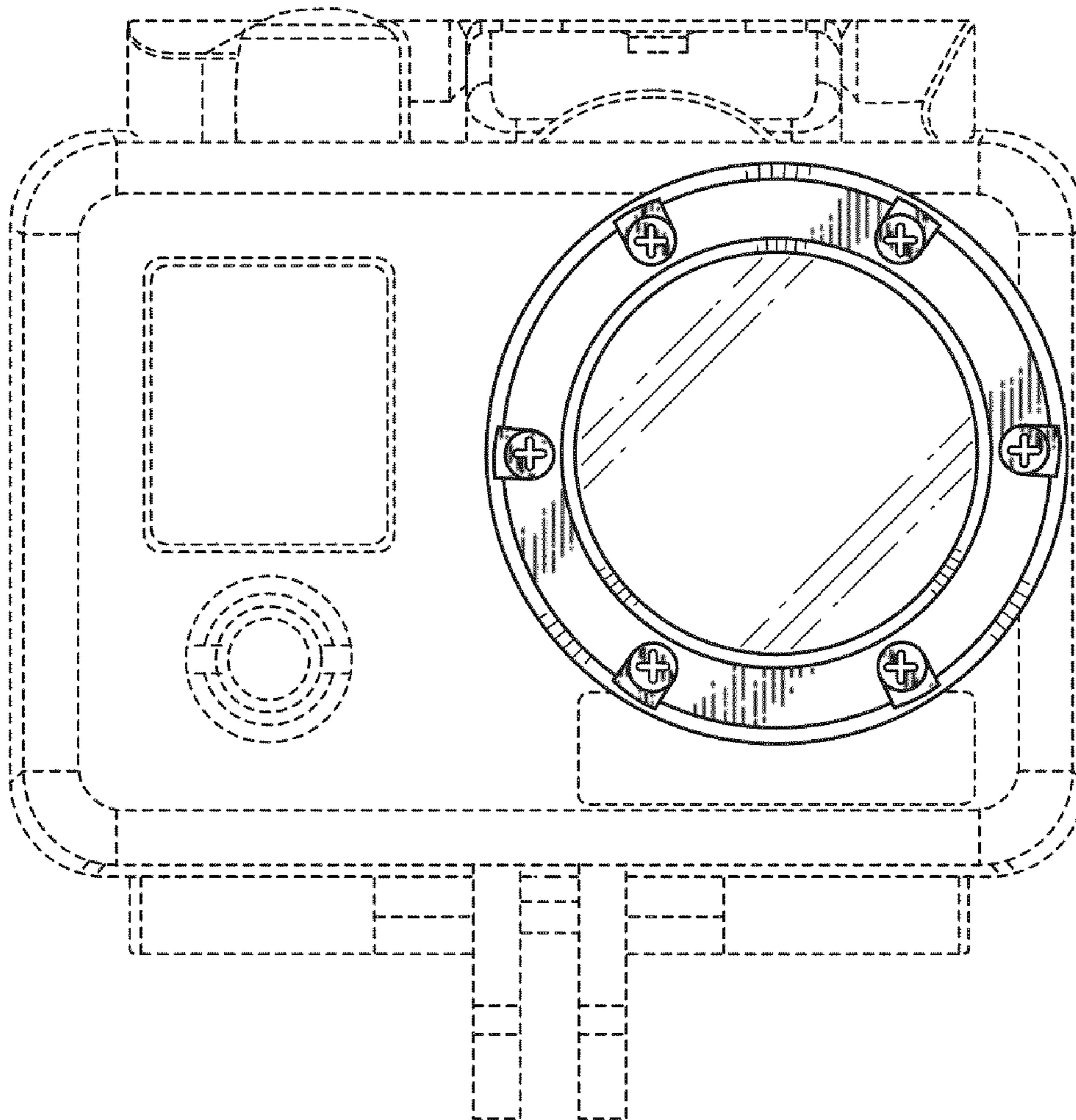


FIG. 2

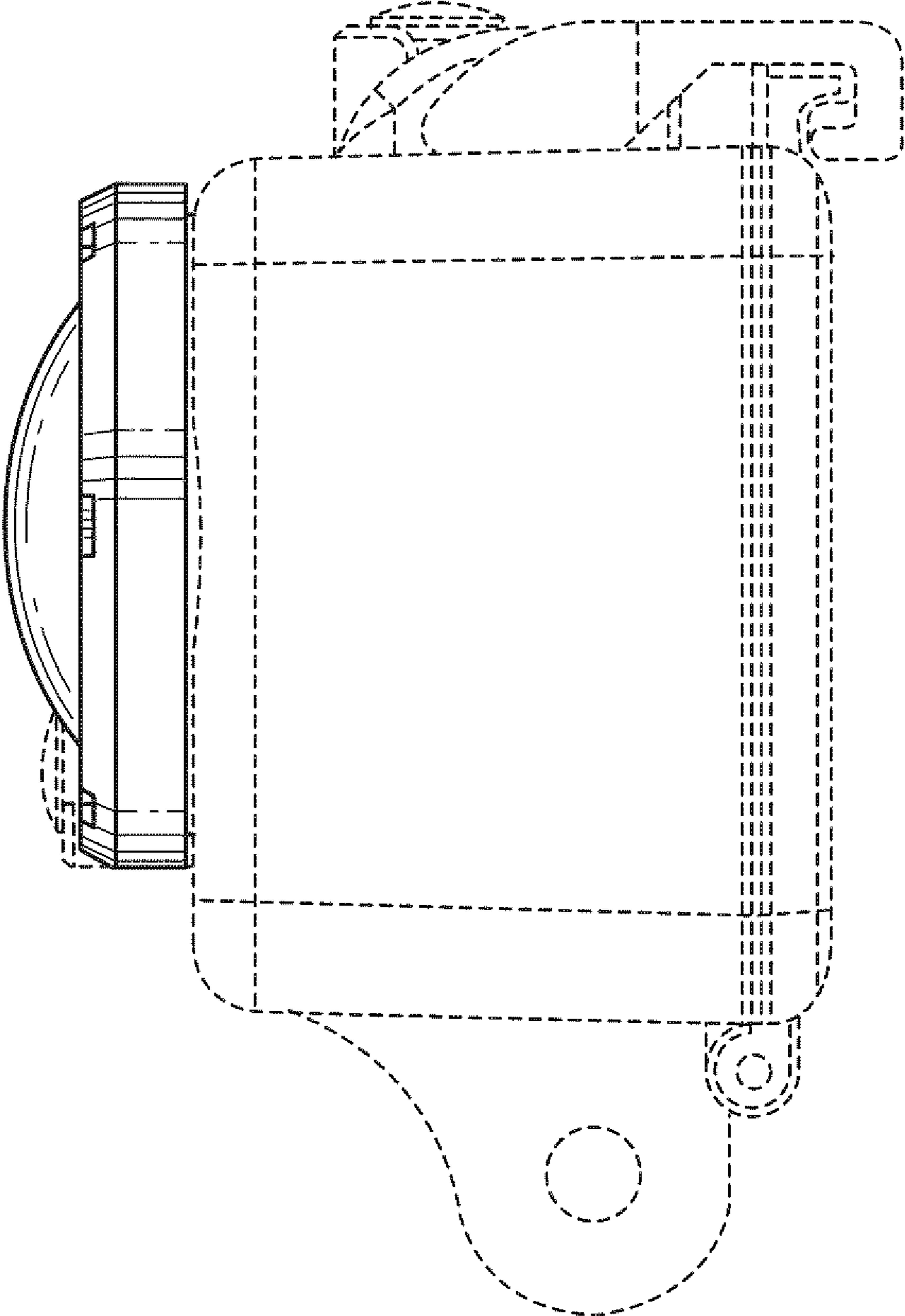


FIG. 3