



US00D644678S

(12) **United States Design Patent**
Takagi

(10) **Patent No.:** **US D644,678 S**
(45) **Date of Patent:** **** Sep. 6, 2011**

(54) **CAMERA**

(75) Inventor: **Noriaki Takagi**, Tokyo (JP)

(73) Assignee: **Sony Corporation**, Tokyo (JP)

(**) Term: **14 Years**

(21) Appl. No.: **29/311,817**

(22) Filed: **Jun. 30, 2009**

(30) **Foreign Application Priority Data**

Jan. 5, 2009 (JP) D2009-000060
Jan. 5, 2009 (JP) D2009-000061
Jan. 5, 2009 (JP) D2009-000062

(51) **LOC (9) Cl.** **16-05**

(52) **U.S. Cl.** **D16/219**

(58) **Field of Classification Search** D16/200,
D16/202, 204, 218, 219; 348/373-376;
396/176-177, 535-541

See application file for complete search history.

(56) **References Cited**

U.S. PATENT DOCUMENTS

D496,678 S * 9/2004 Kawase
D528,578 S * 9/2006 Yasutomi
D528,579 S * 9/2006 Yasutomi
D532,029 S 11/2006 Kim
D536,720 S * 2/2007 Miyashita
D542,322 S * 5/2007 Miyashita
D546,859 S * 7/2007 Ishii
D552,146 S * 10/2007 Masamitsu et al.
D562,871 S * 2/2008 Ishii
D566,149 S * 4/2008 Sumita
D566,153 S * 4/2008 Katsuraku
D566,155 S * 4/2008 Takagi
D572,285 S * 7/2008 Kuroda D16/202
D574,871 S * 8/2008 Ishii

D588,179 S * 3/2009 Hamamura D16/202
7,507,041 B2 * 3/2009 Ueda et al. 348/375
D605,675 S * 12/2009 Sakaguchi et al. D16/202
D607,478 S * 1/2010 Tainaka D16/202
7,643,085 B2 * 1/2010 Saiki et al. 348/373
D611,974 S * 3/2010 Kwon et al. D16/202

FOREIGN PATENT DOCUMENTS

JP D1285102 S 10/2006
JP D1285508 S 11/2006
JP D1293249 S 2/2007
JP D1314375 S 11/2007
KR 30-0429527 S 11/2006
KR 30-0529899 S 6/2009

* cited by examiner

Primary Examiner — Adir Aronovich

(74) *Attorney, Agent, or Firm* — Rader, Fishman & Grauer
PLLC

(57) **CLAIM**

The ornamental design for a camera, as shown and described.

DESCRIPTION

FIG. 1 is a perspective view of a camera showing my new design;

FIG. 2 is a front elevational view thereof;

FIG. 3 is a front elevational view thereof, wherein the lens cover is in an open position;

FIG. 4 is a perspective view thereof, wherein the lens cover is in an open position; and,

FIG. 5 is a front elevational view thereof, wherein the lens cover is in an operational position.

The broken line showings in FIGS. 1-5 are for illustrative purpose only and form no part of the claimed design.

The claim is directed to the camera with a lens cover in an operational position as illustrated in FIG. 5. The rest of the views FIGS. 1-2 and FIGS. 3-4 show the lens cover in a closed and open position respectively.

1 Claim, 5 Drawing Sheets

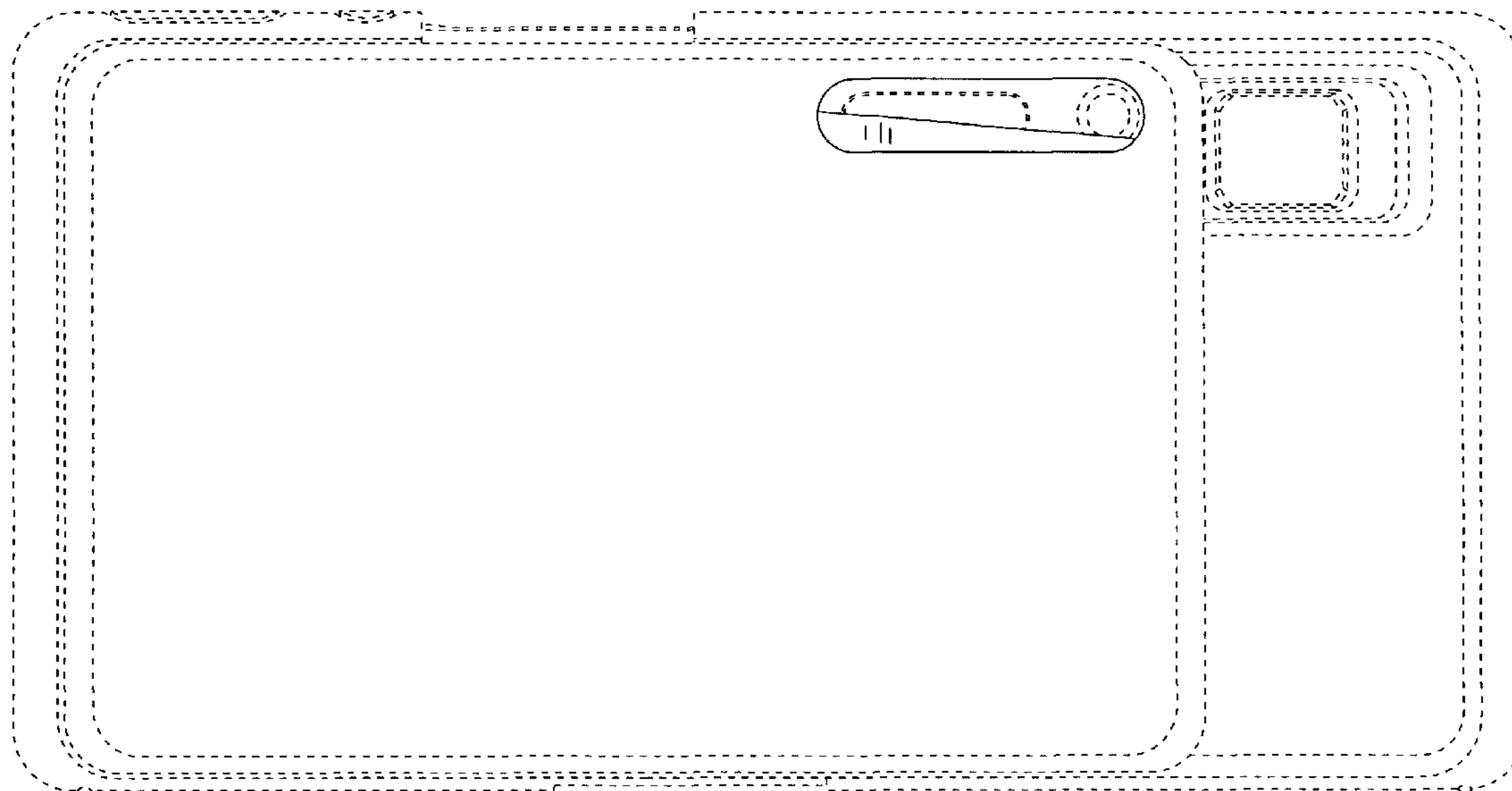


FIG.1

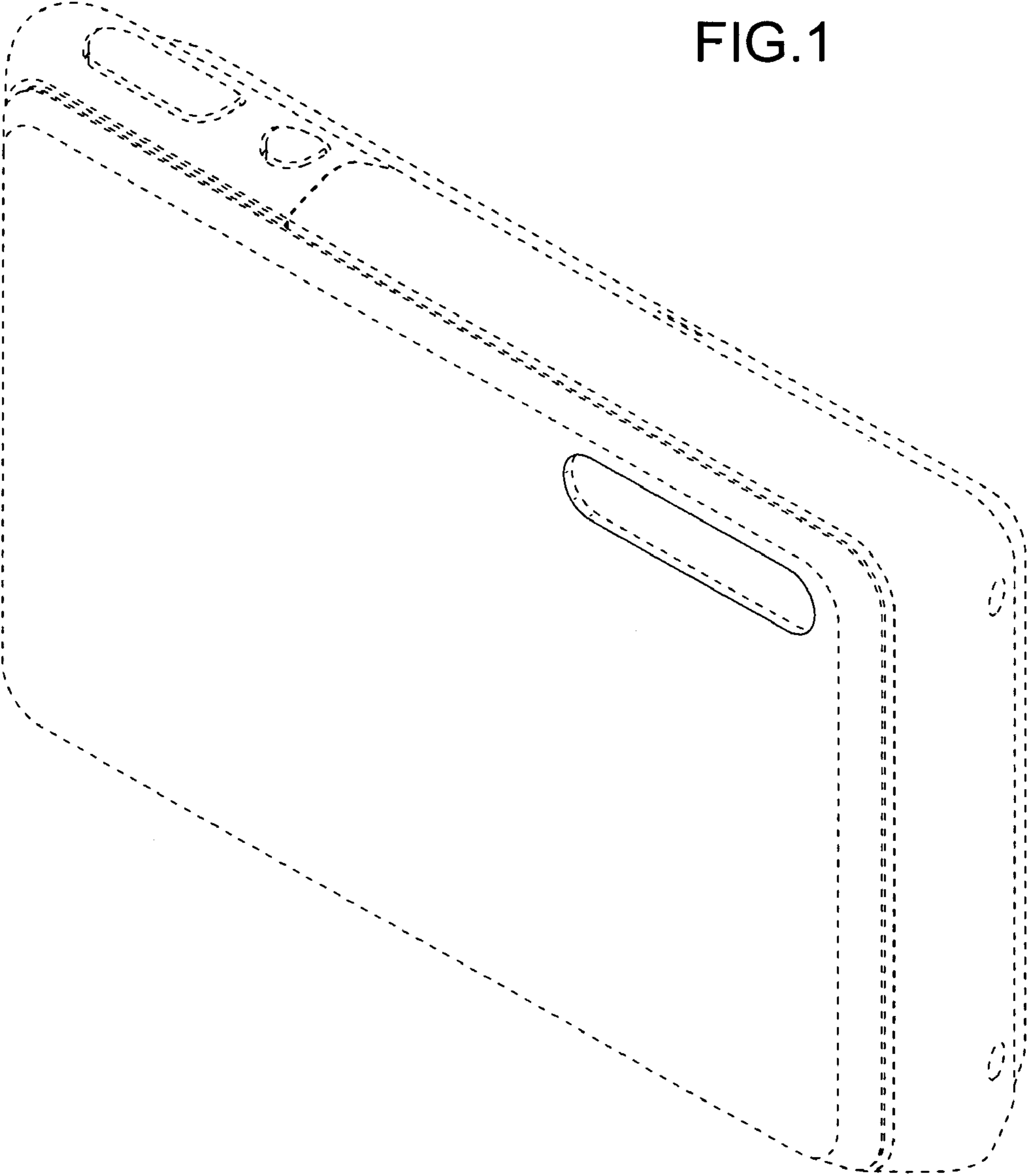


FIG.2

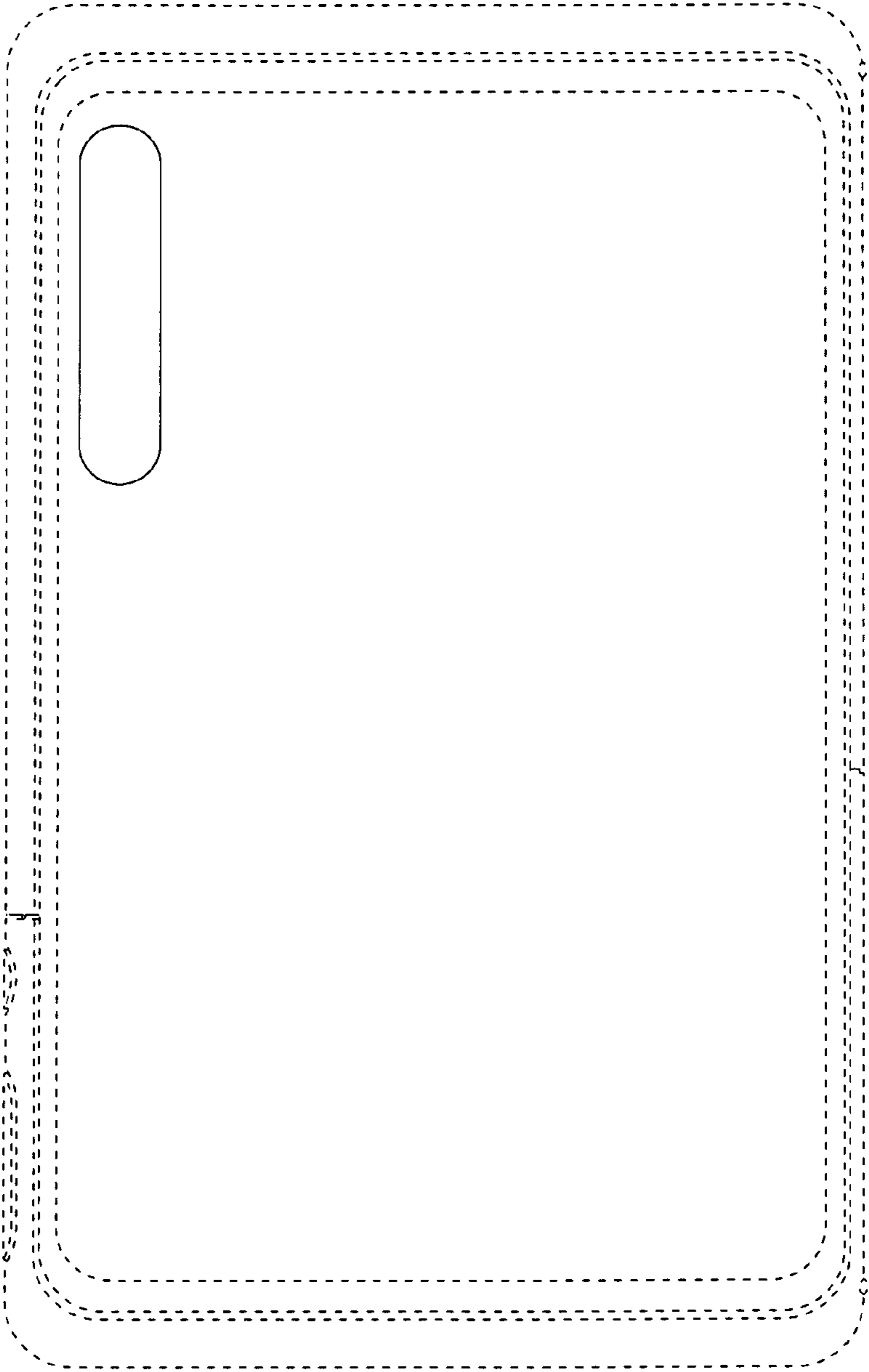
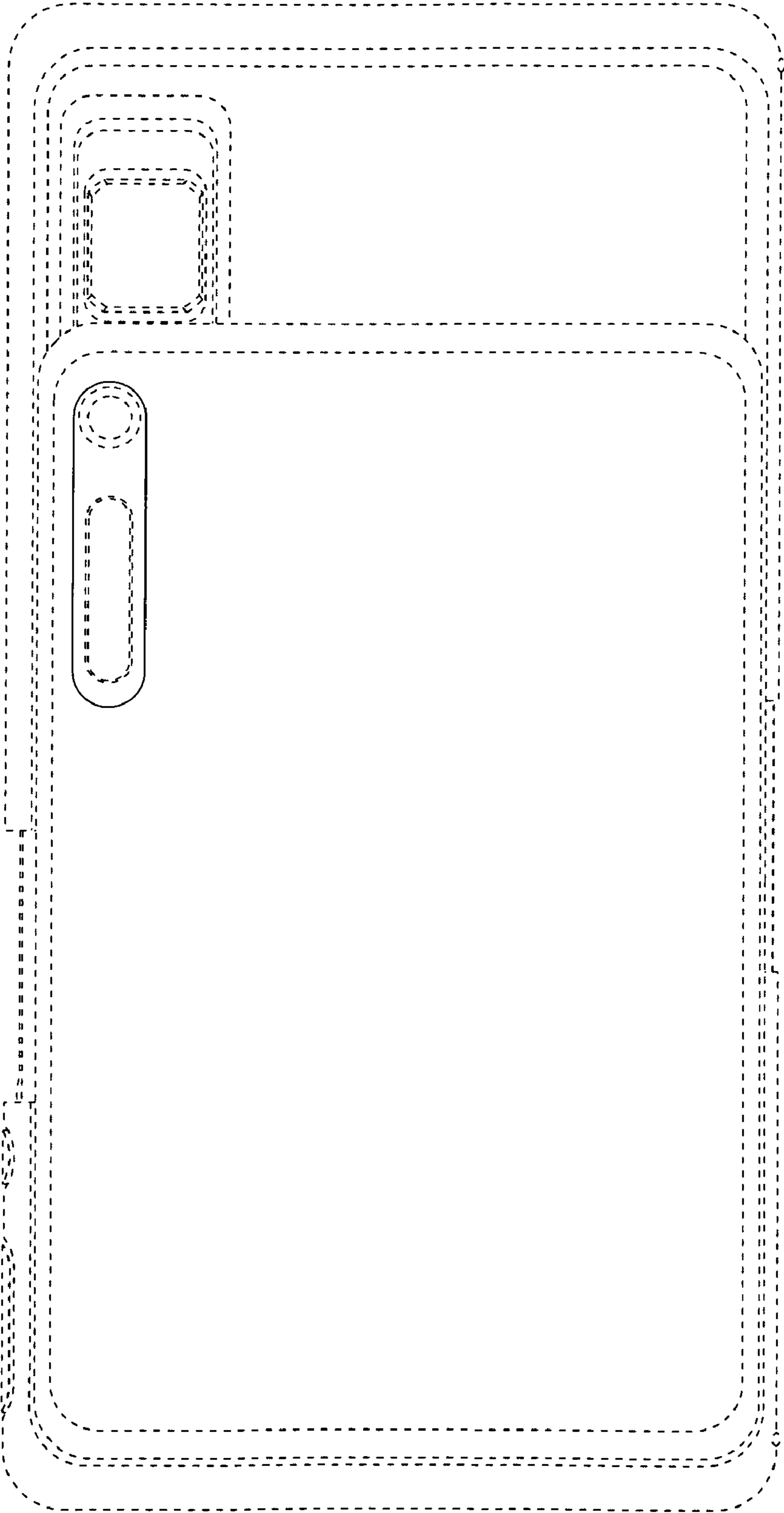


FIG. 3



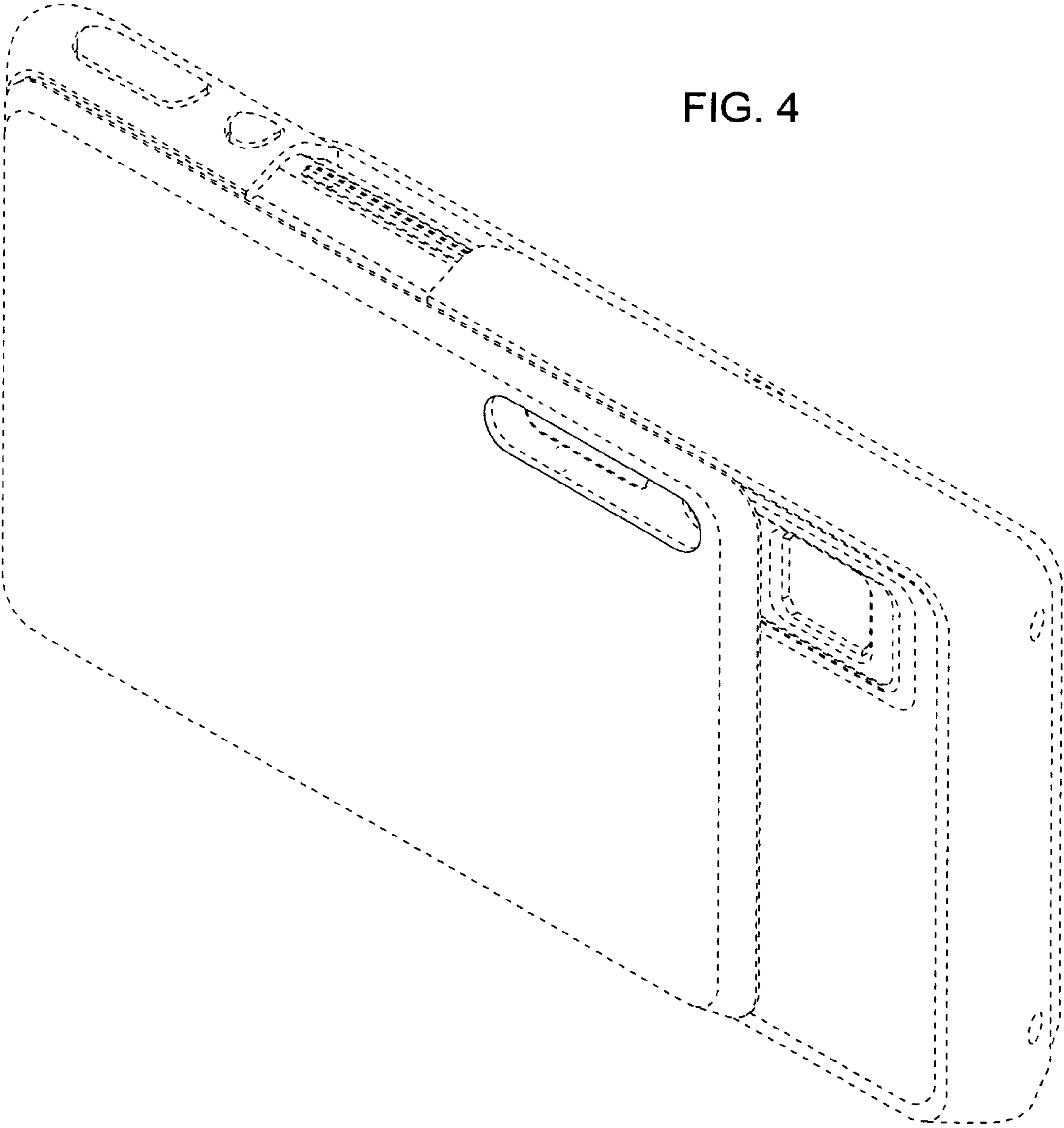


FIG. 4

FIG. 5

