



US00D644675S

(12) **United States Design Patent**  
**Abed**

(10) **Patent No.:** **US D644,675 S**

(45) **Date of Patent:** **\*\* Sep. 6, 2011**

(54) **HOUSING FOR A ROBOTIC END EFFECTOR**

(75) Inventor: **Tark Abed**, Palo Alto, CA (US)

(73) Assignee: **Restoration Robotics, Inc.**, Mountain View, CA (US)

(\*\*) Term: **14 Years**

(21) Appl. No.: **29/390,741**

(22) Filed: **Apr. 28, 2011**

(51) **LOC (9) Cl.** ..... **15-99**

(52) **U.S. Cl.** ..... **D15/199**

(58) **Field of Classification Search** ..... D15/199;  
74/490.01, 490.02, 490.03, 490.05; 128/853;  
219/60, 86.25, 86.33, 86.61, 119, 120, 121.48,  
219/639; 294/30, 99.1, 902; 310/80; 318/560,  
318/568.13; 414/752.1, 806; 606/1, 130,  
606/180; 700/150

See application file for complete search history.

(56) **References Cited**

**U.S. PATENT DOCUMENTS**

D424,588	S	*	5/2000	Abed et al.	.....	D15/199
D493,477	S	*	7/2004	Reedy et al.	.....	D15/199
2006/0048787	A1	*	3/2006	Manzo	.....	128/898
2007/0137371	A1	*	6/2007	Devengenzo et al.	.....	74/490.01
2008/0107239	A1	*	5/2008	Sayeh et al.	.....	378/148
2008/0154246	A1	*	6/2008	Nowlin et al.	.....	606/1

2009/0326557	A1	*	12/2009	Niemeyer	.....	606/130
2010/0040450	A1	*	2/2010	Parnell	.....	414/752.1
2010/0168723	A1	*	7/2010	Suarez et al.	.....	606/1
2010/0198231	A1	*	8/2010	Scott	.....	606/130
2010/0286669	A1	*	11/2010	Greer et al.	.....	606/1
2010/0313679	A1	*	12/2010	Larkin et al.	.....	73/862.045
2011/0082462	A1	*	4/2011	Suarez et al.	.....	606/99

\* cited by examiner

*Primary Examiner* — Patricia Palasik

(74) *Attorney, Agent, or Firm* — Lena I. Vinitzkaya; Sharon Upham

(57) **CLAIM**

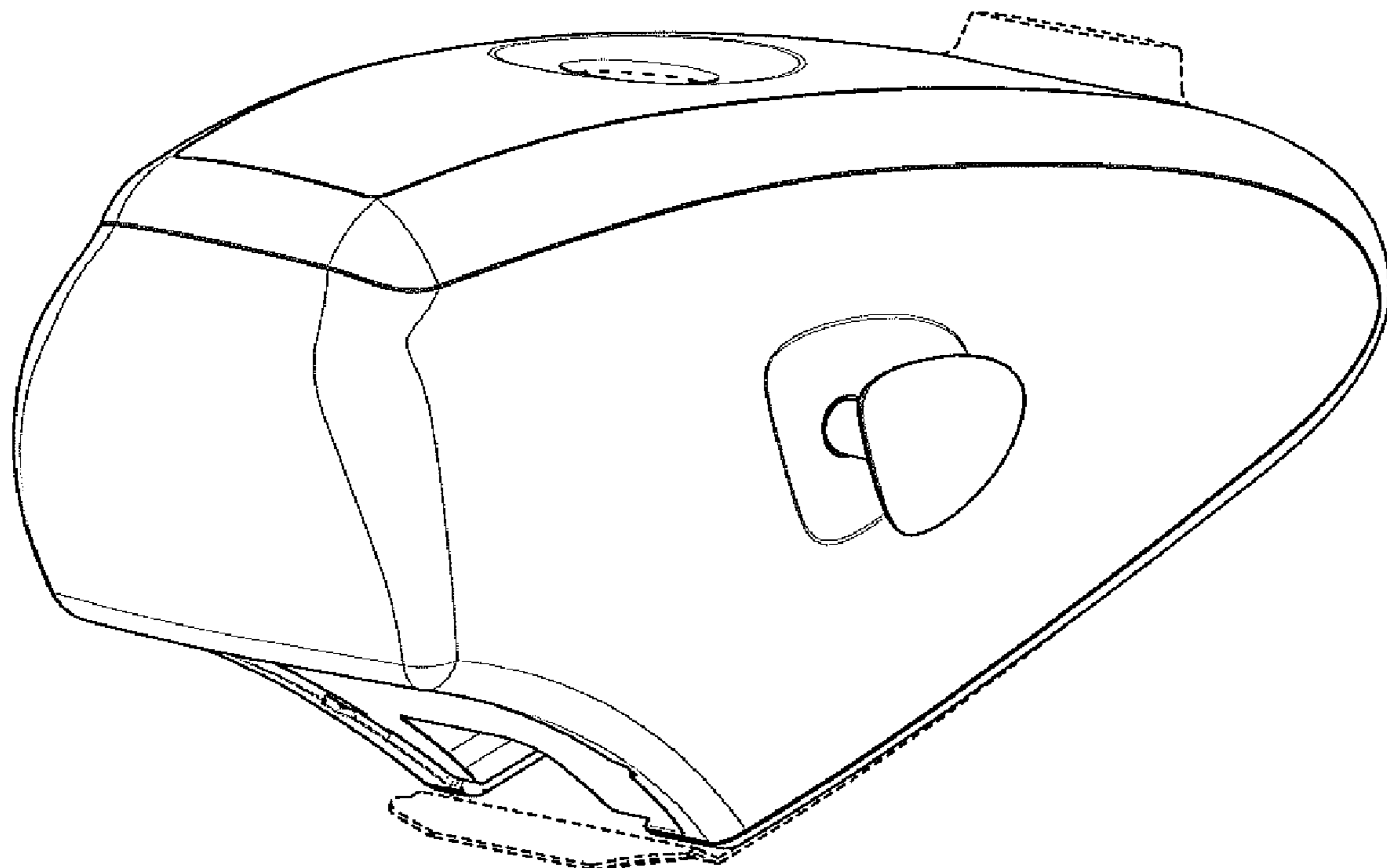
The ornamental design for a housing for a robotic end effector, as shown and described.

**DESCRIPTION**

FIG. 1 is a perspective view of a housing for a robotic end effector according to my new design;  
FIG. 2 is a first side view of the housing shown in FIG. 1;  
FIG. 3 is a second side view of the housing shown in FIG. 1;  
FIG. 4 is a front view of the housing shown in FIG. 1;  
FIG. 5 is a back view of the housing shown in FIG. 1;  
FIG. 6 is a top view of the housing shown in FIG. 1; and,  
FIG. 7 is a bottom view of the housing shown in FIG. 1.

The ornamental design which is claimed is shown in solid lines in the drawings. The broken lines in the drawings depict unclaimed environmental subject matter.

**1 Claim, 4 Drawing Sheets**



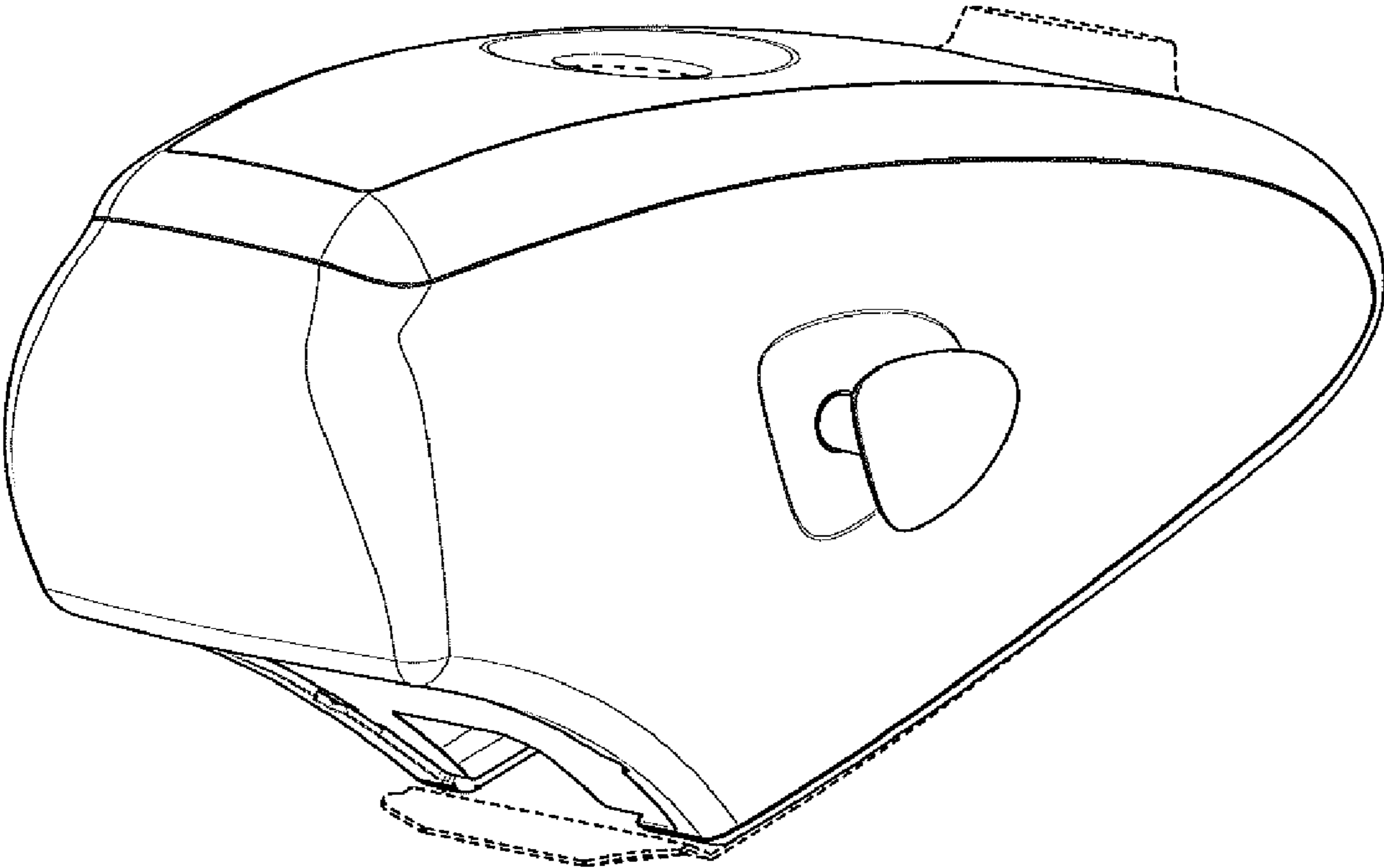


Figure 1

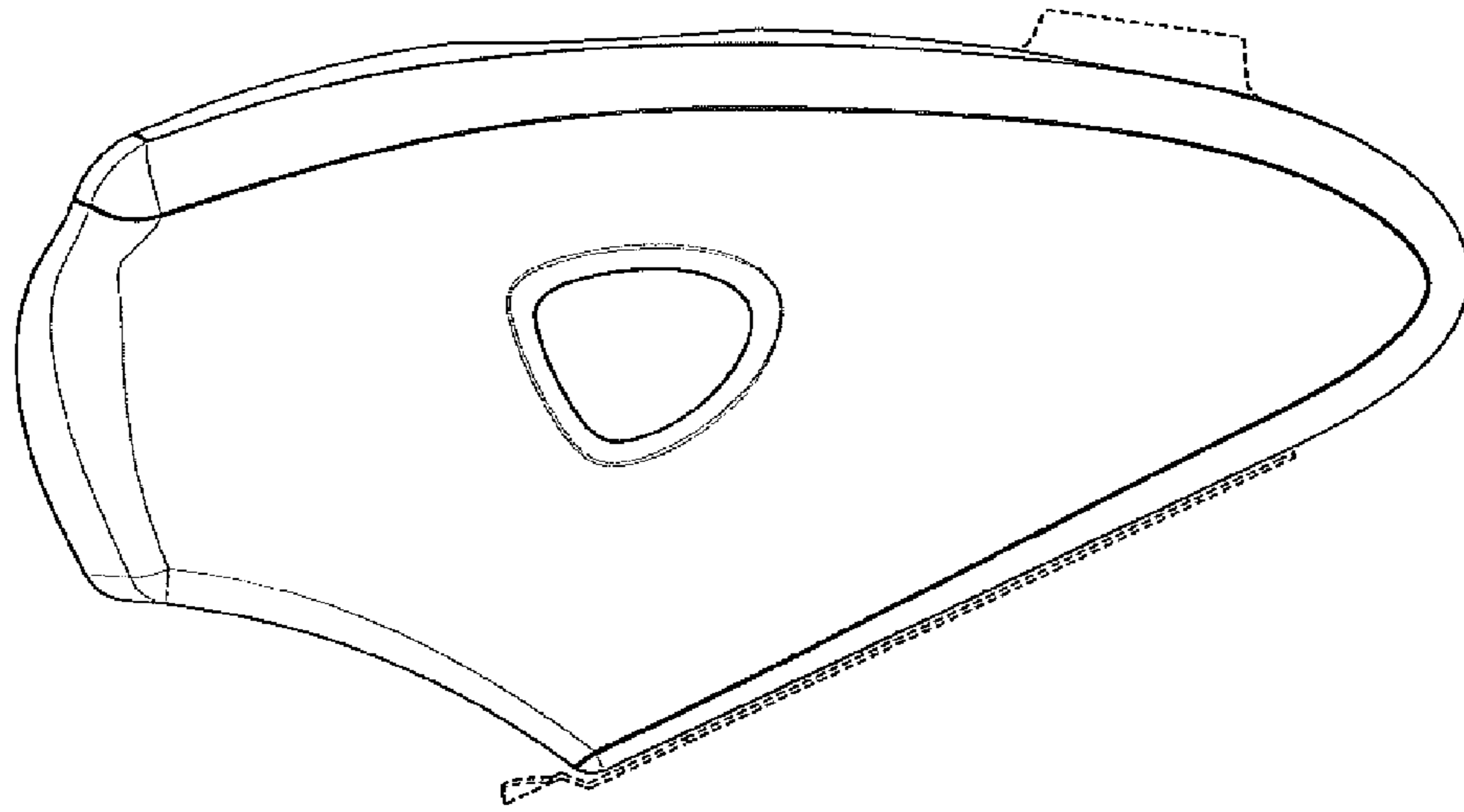


Figure 2

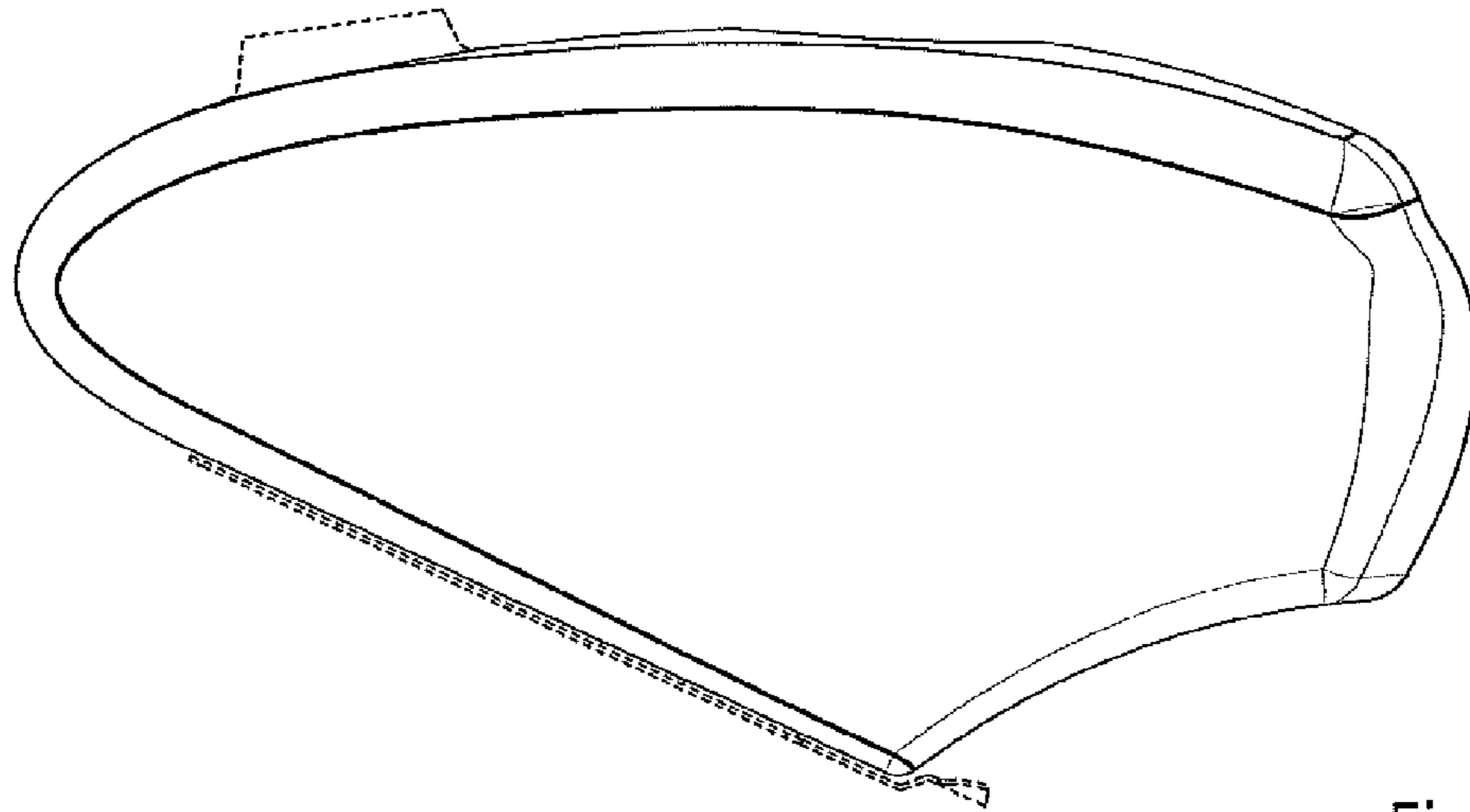


Figure 3

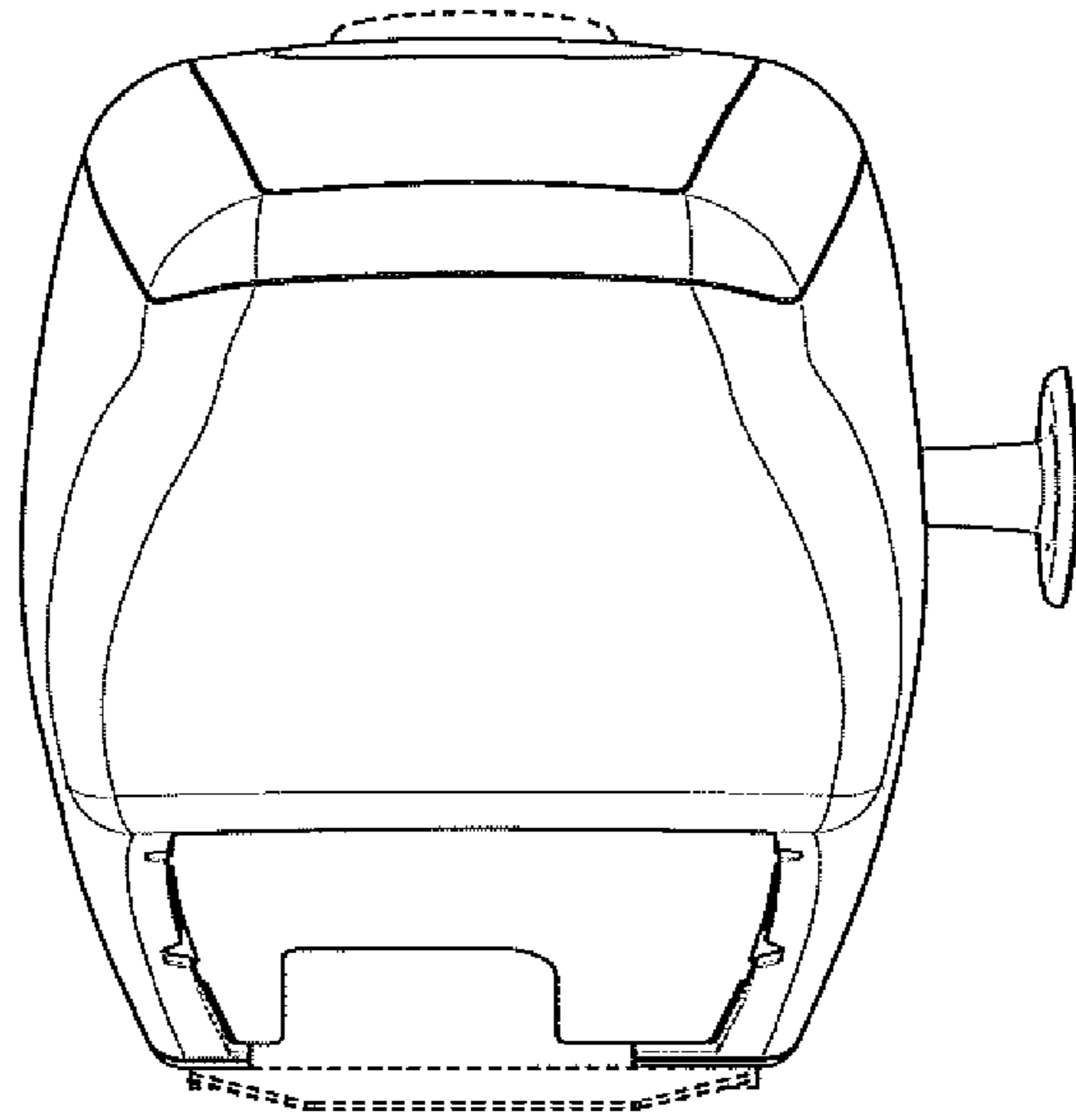


Figure 4

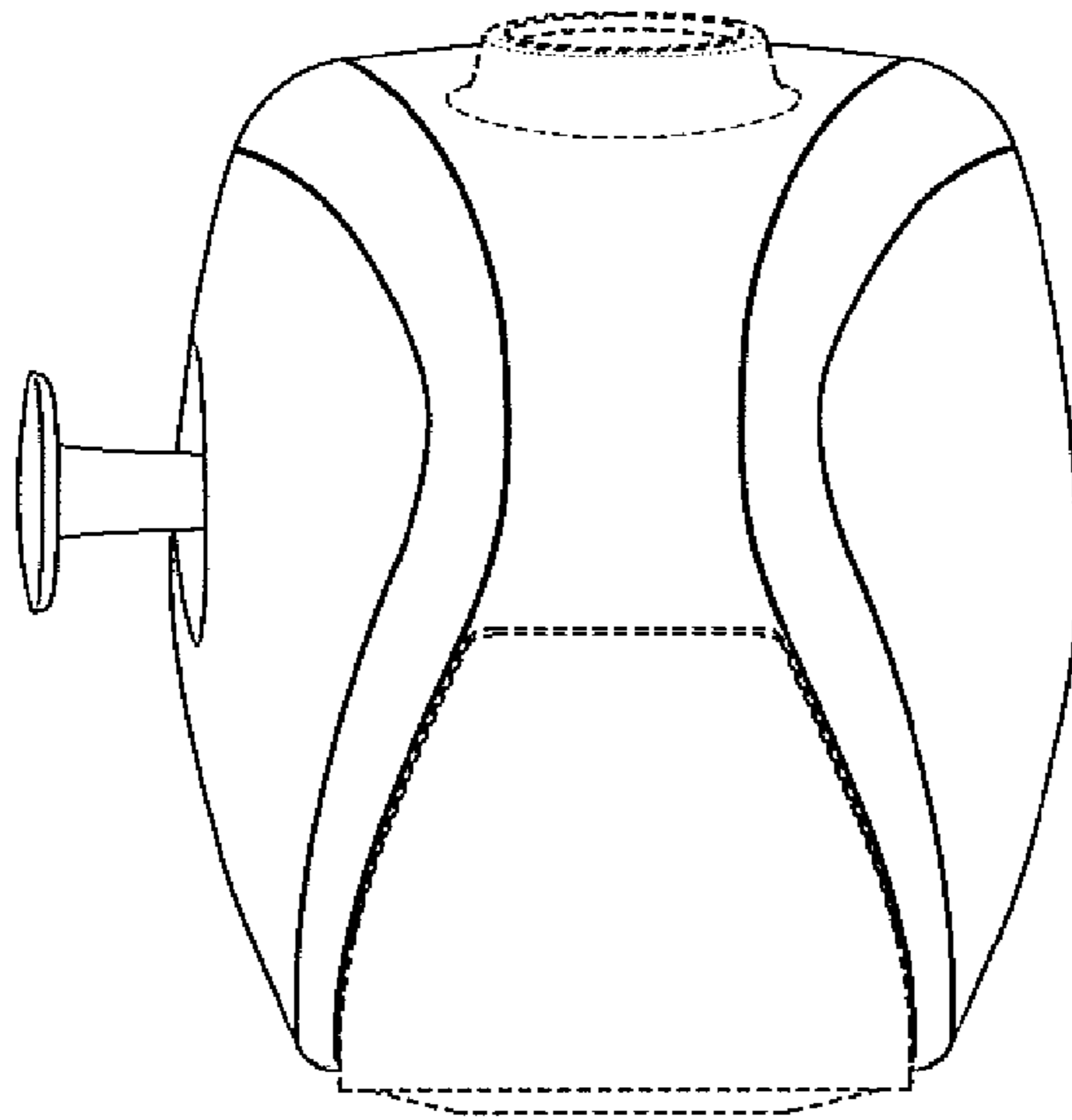


Figure 5

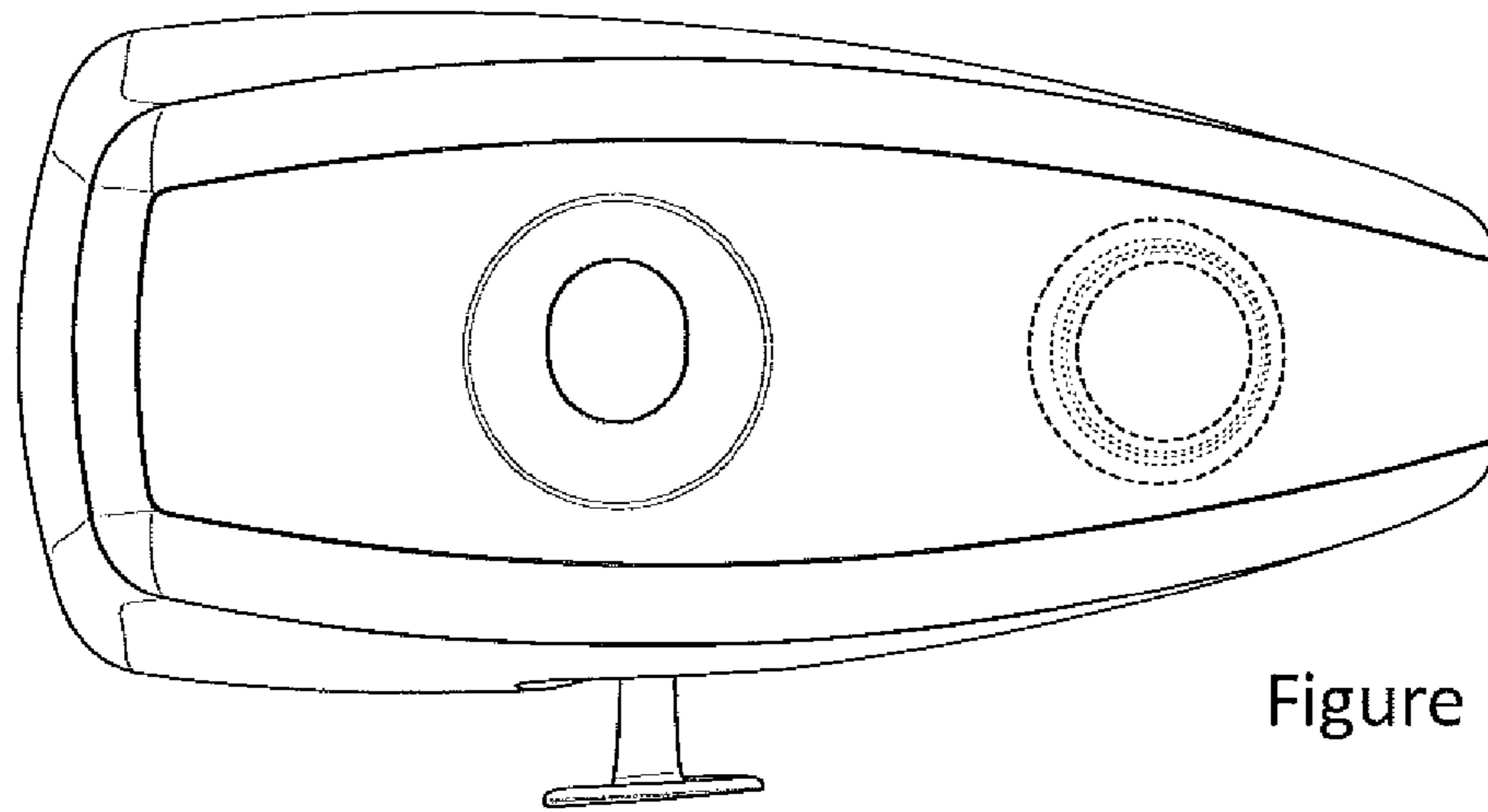


Figure 6

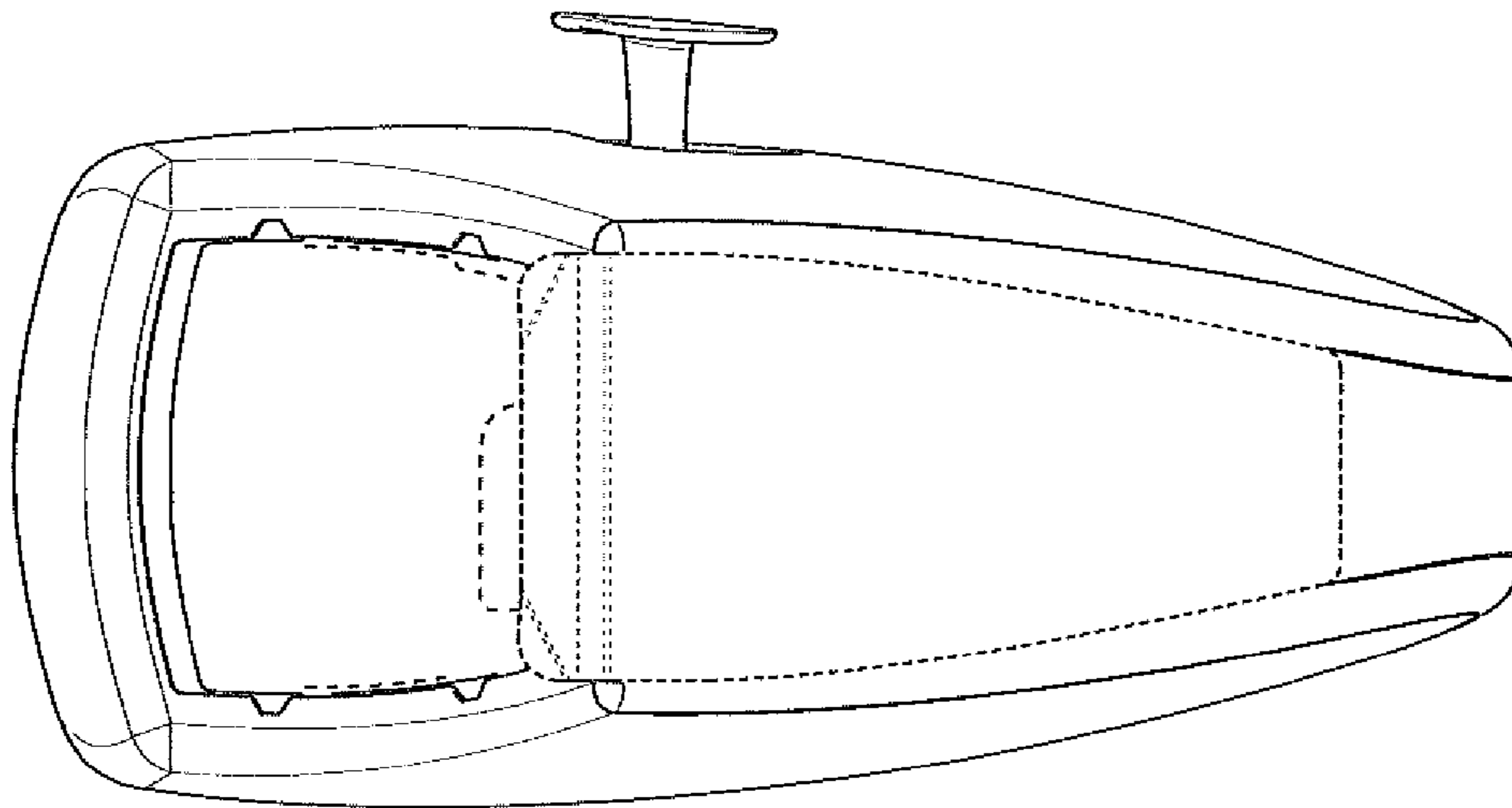


Figure 7