



US00D644674S

(12) **United States Design Patent**
Luukkonen et al.

(10) **Patent No.:** **US D644,674 S**

(45) **Date of Patent:** **** *Sep. 6, 2011**

(54) **BELT GUARD FOR A FLOTATION CELL**

(56) **References Cited**

(75) Inventors: **Matti Luukkonen**, Helsinki (FI); **Emmi Helanne**, Espoo (FI); **Jussi Peltokangas**, Helsinki (FI)

U.S. PATENT DOCUMENTS

| | | | | | | |
|----------|---|---|---------|--------------------|-------|---------|
| D258,213 | S | * | 2/1981 | Lydford | | D15/147 |
| D260,650 | S | * | 9/1981 | Alviti | | D15/147 |
| D271,879 | S | * | 12/1983 | Neilson | | D15/147 |
| D284,116 | S | * | 6/1986 | Linde | | D15/28 |
| D354,289 | S | * | 1/1995 | Fortenberry et al. | | D15/19 |
| D355,884 | S | * | 2/1995 | Schlangen et al. | | D12/317 |
| D360,888 | S | * | 8/1995 | Timm | | D15/147 |
| D364,836 | S | * | 12/1995 | Schlangen et al. | | D12/127 |
| D415,507 | S | * | 10/1999 | Rogers et al. | | D15/147 |
| D499,361 | S | * | 12/2004 | Armstrong et al. | | D12/126 |
| D554,026 | S | * | 10/2007 | Francis | | D12/126 |
| D626,894 | S | * | 11/2010 | Holcomb | | D12/126 |
| D637,215 | S | * | 5/2011 | Krohmer et al. | | D15/147 |

(73) Assignee: **Outotec Oyj**, Espoo (FI)

(*) Notice: This patent is subject to a terminal disclaimer.

(**) Term: **14 Years**

(21) Appl. No.: **29/314,710**

* cited by examiner

(22) Filed: **Apr. 20, 2009**

Primary Examiner — Zenia Bennett

(30) **Foreign Application Priority Data**

Oct. 24, 2008 (EM) 001027189

(74) *Attorney, Agent, or Firm* — Klauber & Jackson LLC

(51) **LOC (9) Cl.** **15-09**

(57) **CLAIM**

The ornamental design for a belt guard for a flotation cell, as shown and described.

(52) **U.S. Cl.** **D15/147**

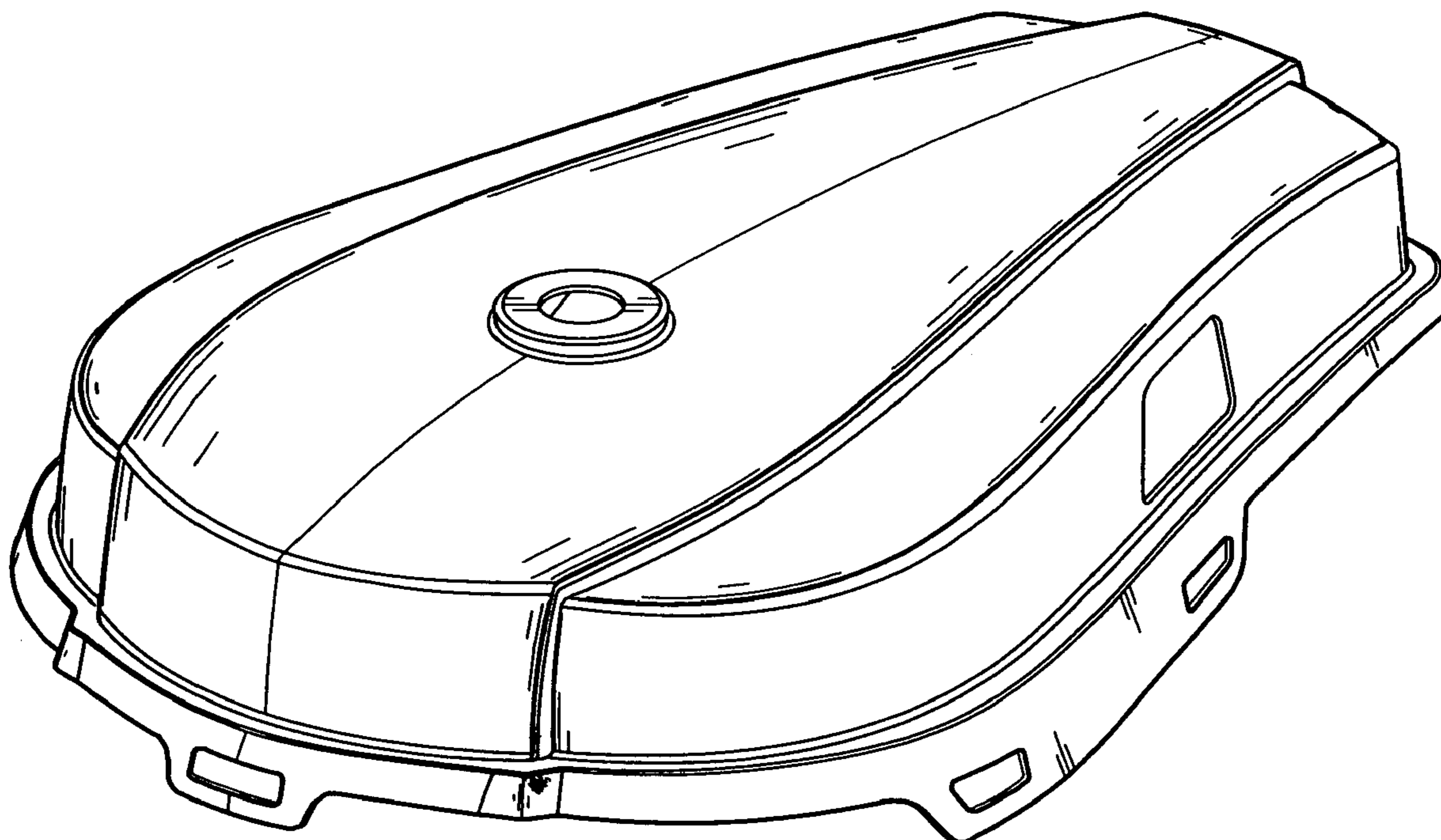
DESCRIPTION

(58) **Field of Classification Search** D21/769-770, D21/801, 803, 809; 114/253, 345-346; 441/35, 441/66, 40-42, 129-132; 472/128-129; D12/5, 6, 316, 126, 127; D15/13, 19, 21, D15/147; D29/129, 130; D8/70; 202/124, 202/123, 424, 437, 438, 439, 458, 459, 460, 202/451, 452, 474, 501; 266/148, 177

FIG. 1 is an upper perspective view showing the front and left side of a belt guard for a flotation cell of our new design; FIG. 2 is a top view thereof; FIG. 3 is a bottom view thereof; FIG. 4 is a front view thereof; FIG. 5 is a rear view thereof; FIG. 6 is a left side view thereof; and, FIG. 7 is a right side view thereof.

See application file for complete search history.

1 Claim, 4 Drawing Sheets



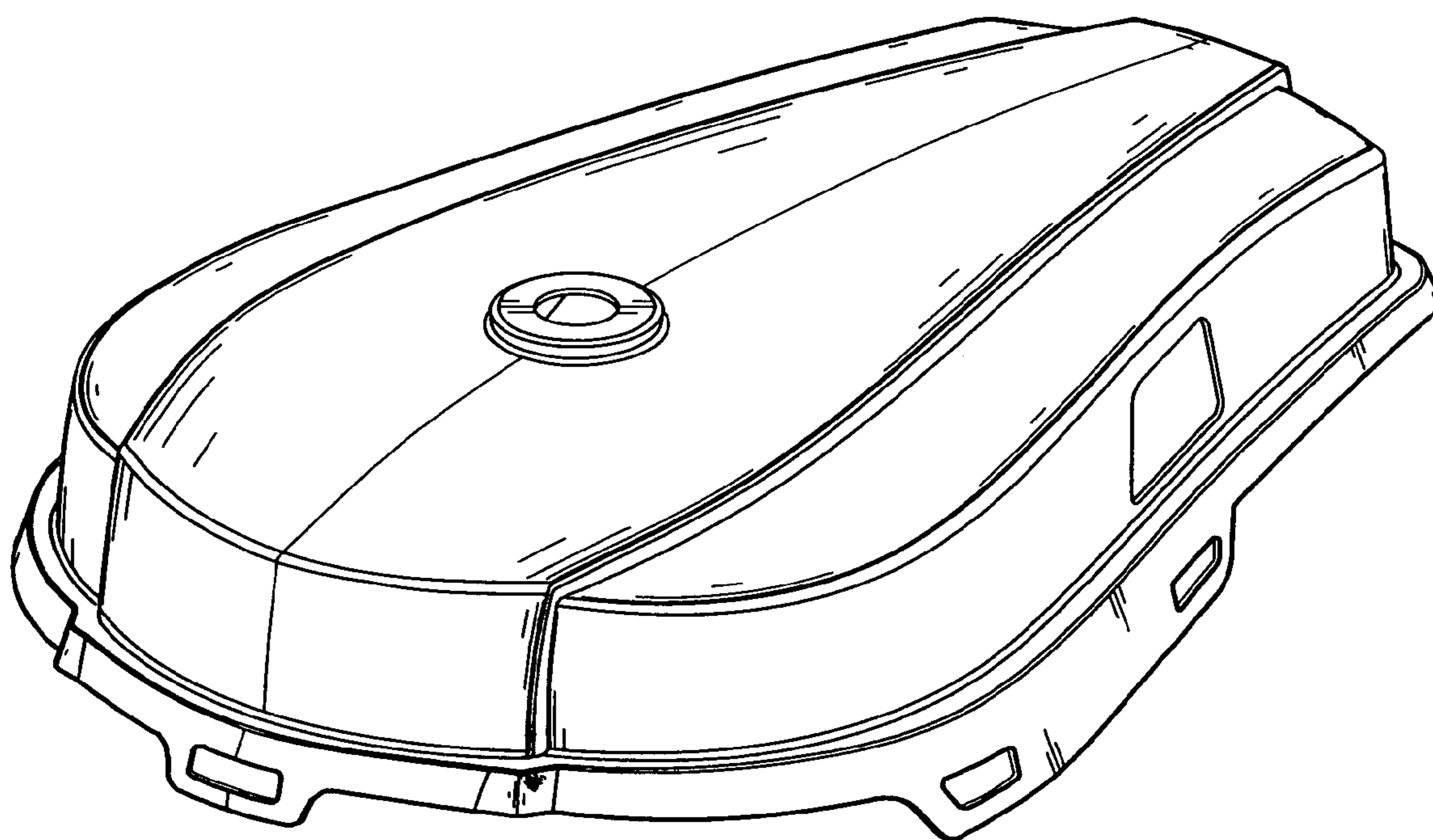


FIG. 1

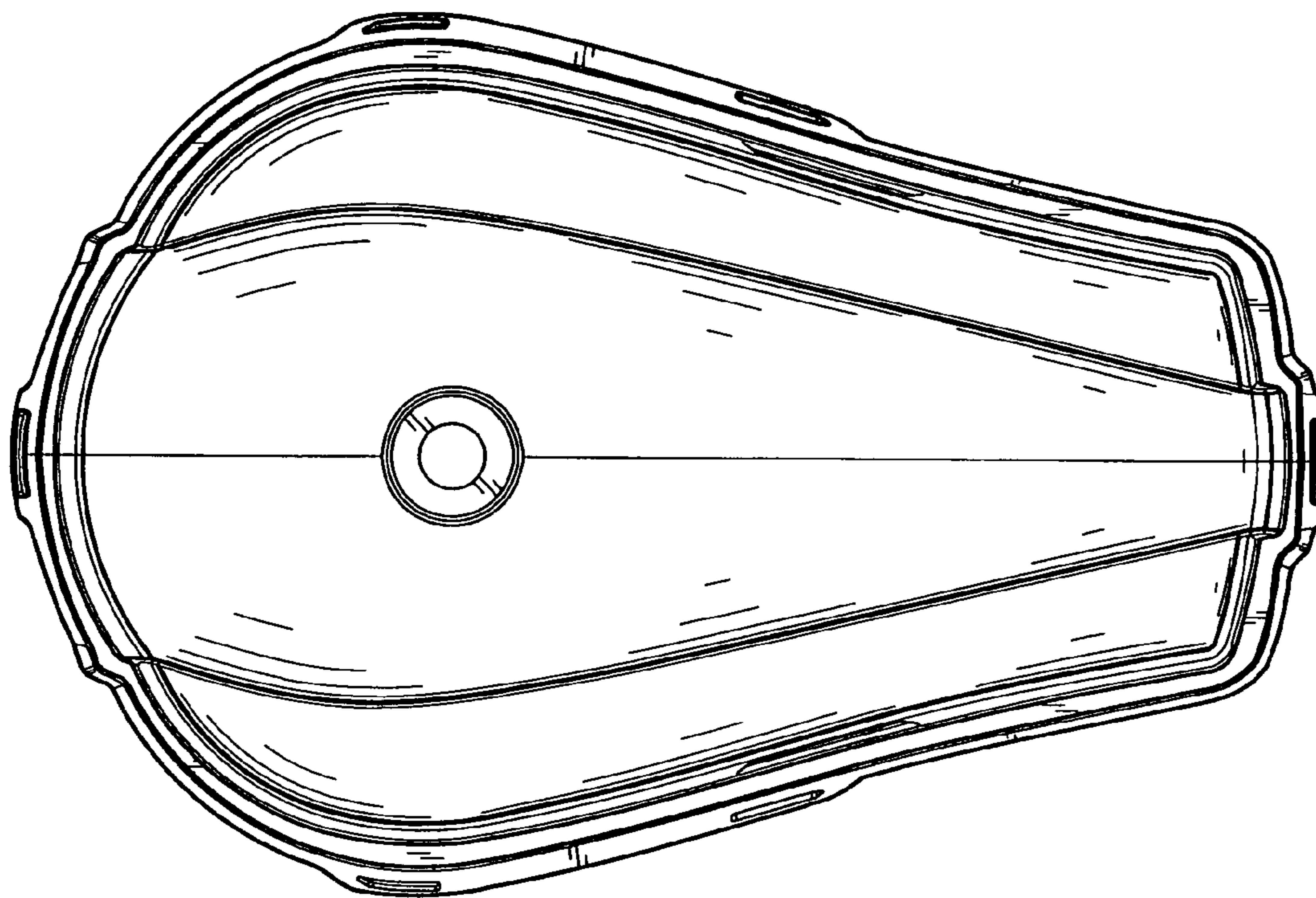


FIG. 2

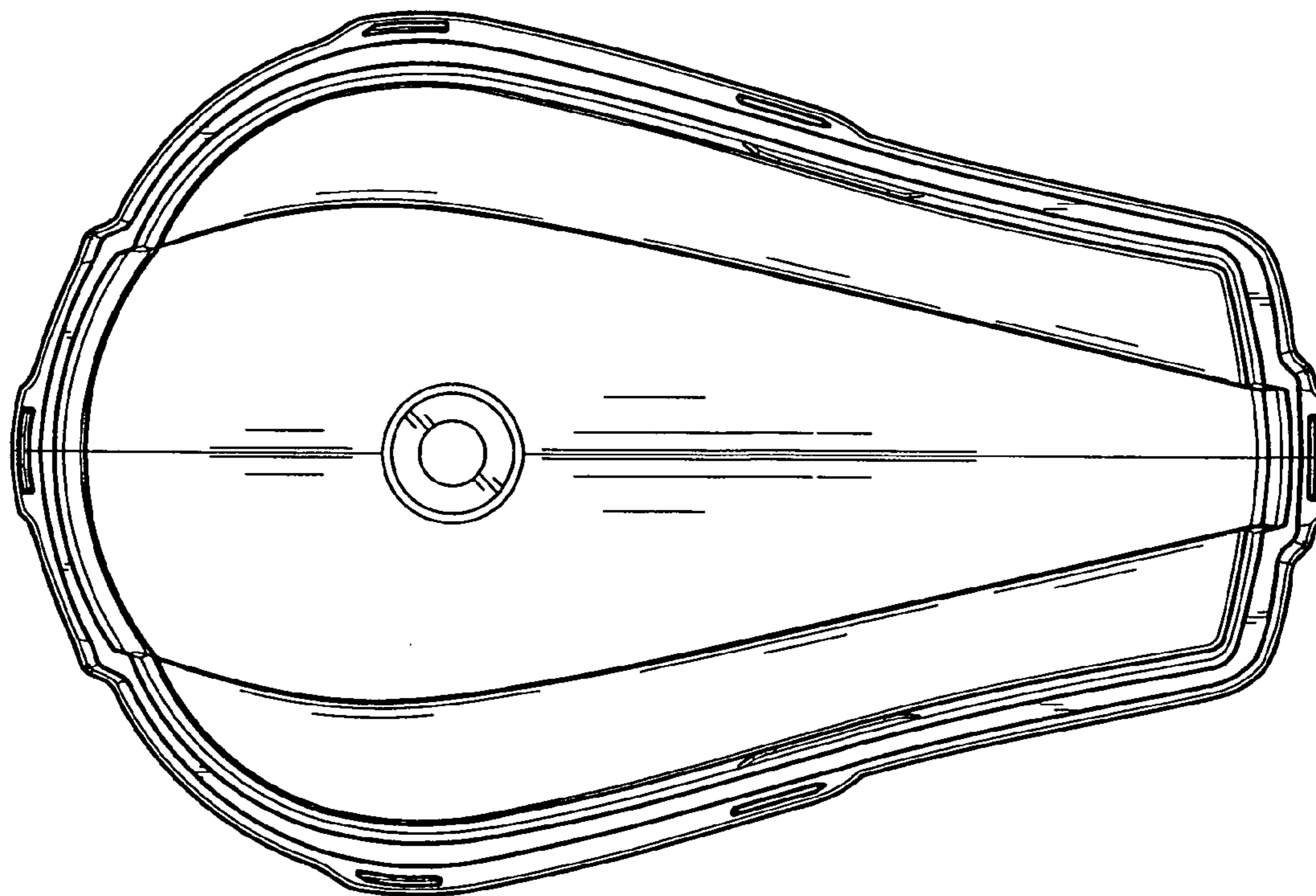


FIG. 3

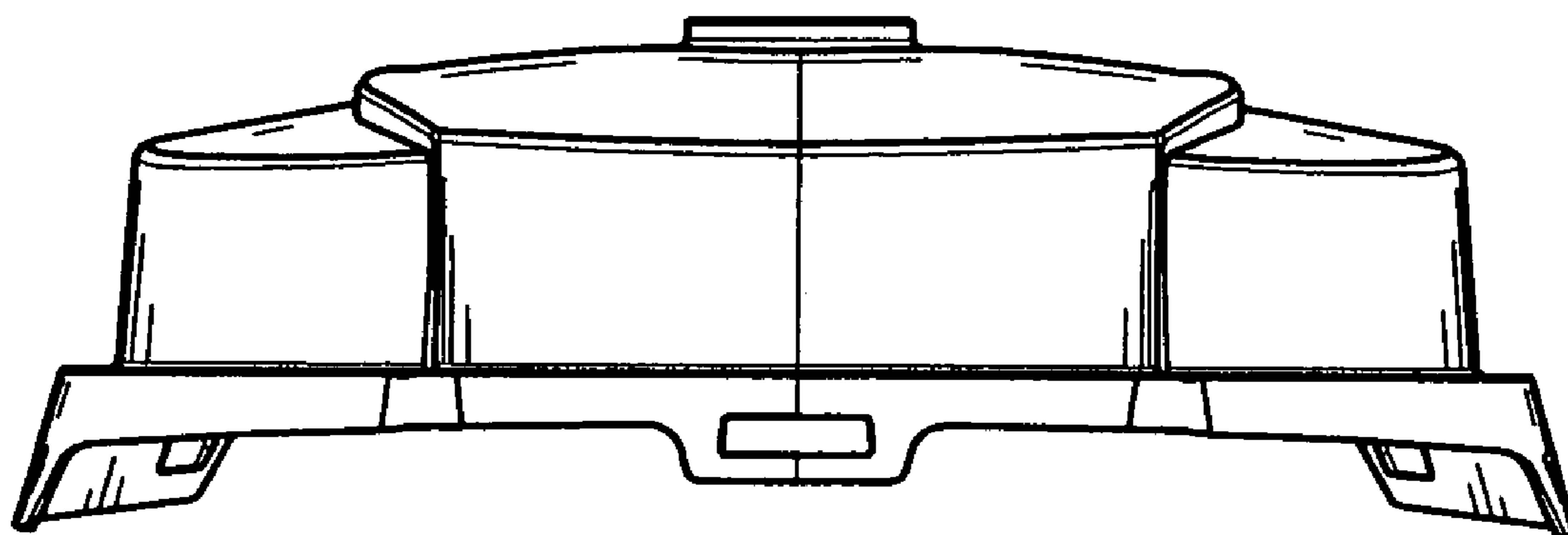


FIG. 4

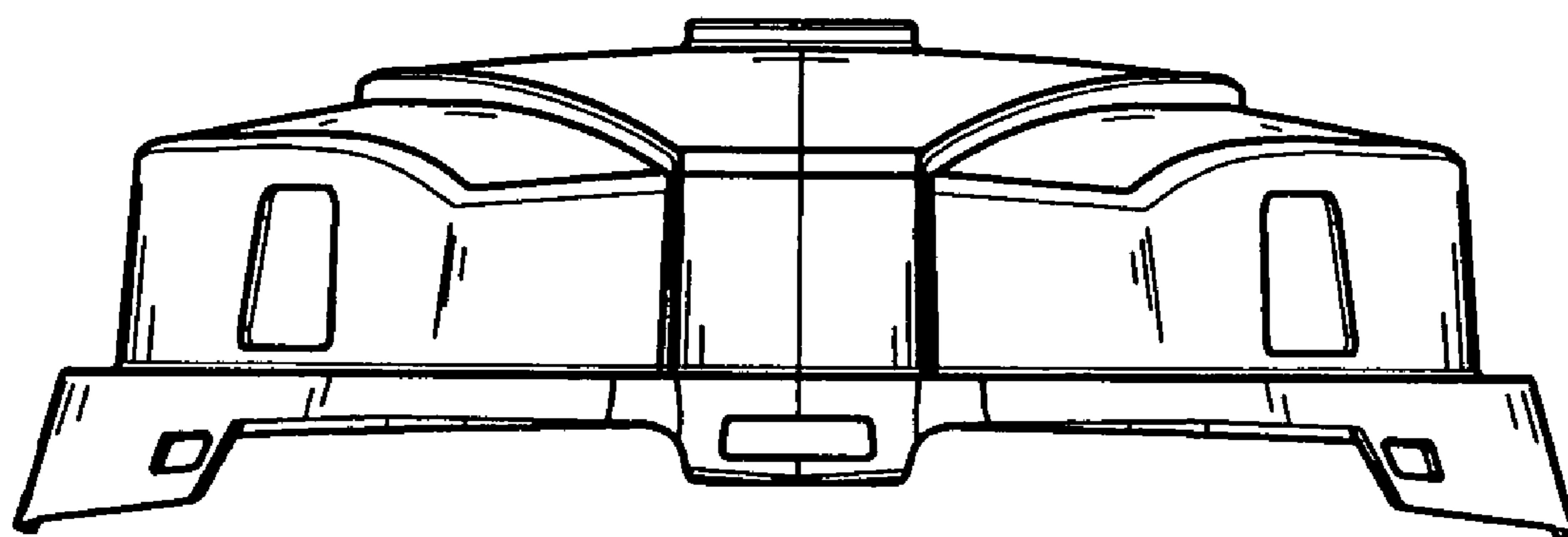


FIG. 5

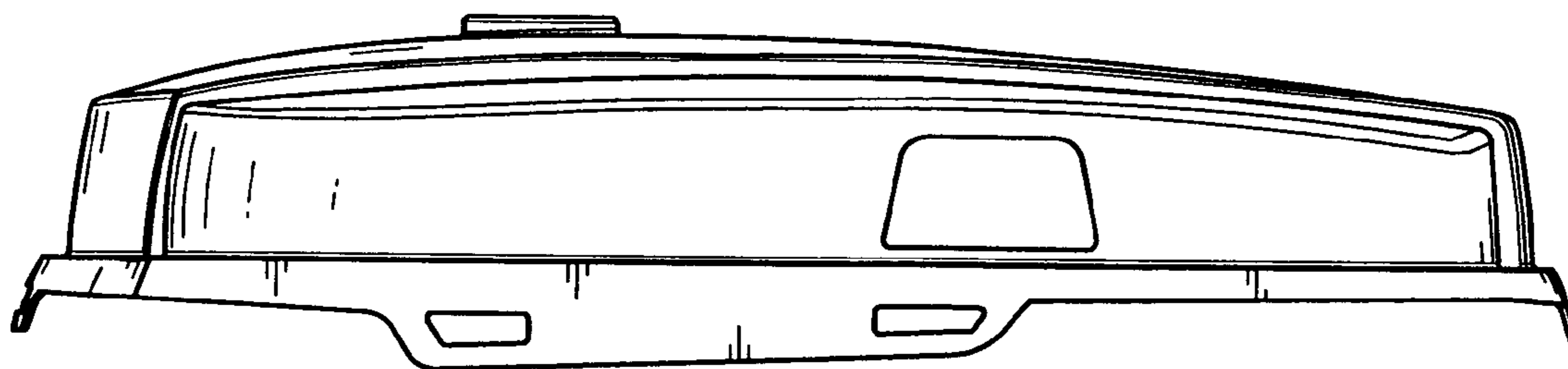


FIG. 6

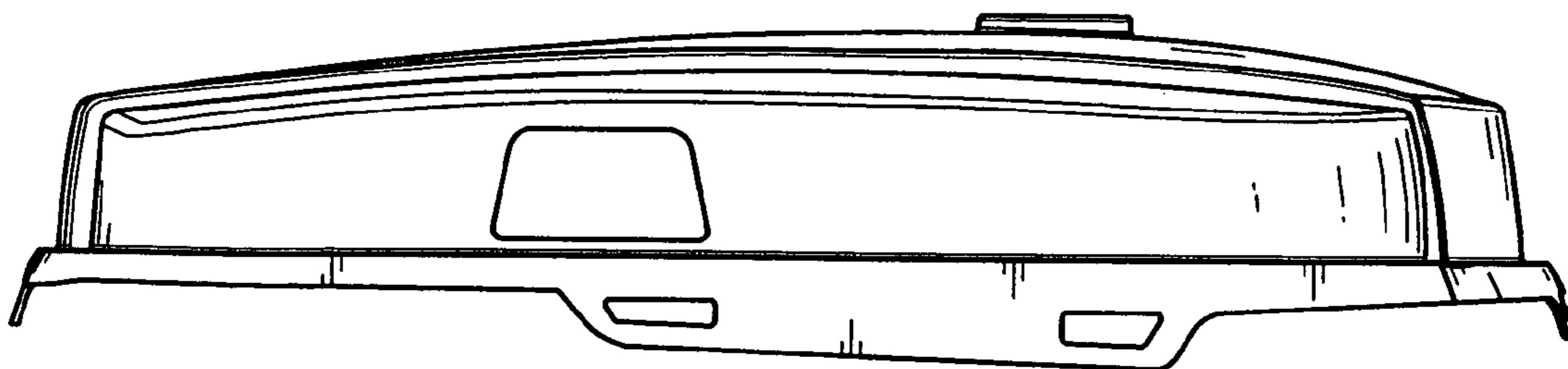


FIG. 7