



US00D644672S

(12) **United States Design Patent**  
**Kajihara et al.**

(10) **Patent No.:** **US D644,672 S**  
(45) **Date of Patent:** **\*\* Sep. 6, 2011**

(54) **VERTICAL-SHAFT-TYPE GRAIN MILLING MACHINE**

D547,336 S \* 7/2007 Kai ..... D15/122  
D606,568 S \* 12/2009 Jackson ..... D15/131  
D618,260 S \* 6/2010 Nakano ..... D15/131

(75) Inventors: **Kazunobu Kajihara**, Tokyo (JP);  
**Yasuyoshi Seto**, Tokyo (JP); **Kazuto Nonaka**, Tokyo (JP); **Yasunori Koike**, Tokyo (JP); **Koji Yamamoto**, Tokyo (JP)

\* cited by examiner

*Primary Examiner* — Patricia Palasik  
(74) *Attorney, Agent, or Firm* — Staas & Halsey LLP

(73) Assignee: **Satake Corporation**, Tokyo (JP)

(57) **CLAIM**

The ornamental design for a vertical-shaft-type grain milling machine; as shown and described.

(\*\*) Term: **14 Years**

(21) Appl. No.: **29/371,502**

**DESCRIPTION**

(22) Filed: **Mar. 28, 2011**

(51) **LOC (9) Cl.** ..... **15-09**

(52) **U.S. Cl.** ..... **D15/131**

(58) **Field of Classification Search** ..... D6/432,  
D6/436, 470-472; D15/122, 123, 124, 127,  
D15/131; 29/560, 568; 209/139.1; 241/37,  
241/65, 79.1, 80, 117, 119, 121, 130, 159,  
241/224, 227, 230, 232, 234, 235, 260; 408/38,  
408/64, 89, 160, 201, 210

See application file for complete search history.

FIG. 1 is a perspective view of the vertical-shaft-type grain milling machine;  
FIG. 2 is a front view of the vertical-shaft-type grain milling machine;  
FIG. 3 is rear view of the vertical-shaft-type grain milling machine;  
FIG. 4 is a plan view of the vertical-shaft-type grain milling machine;  
FIG. 5 is a bottom view of the vertical-shaft-type grain milling machine;  
FIG. 6 is a right side view of the vertical-shaft-type grain milling machine; and,  
FIG. 7 is a left side view of the vertical-shaft-type grain milling machine.

(56) **References Cited**

**U.S. PATENT DOCUMENTS**

D328,467 S \* 8/1992 Maleschew ..... D15/131  
D389,845 S \* 1/1998 Nakamura et al. .... D15/131

**1 Claim, 7 Drawing Sheets**

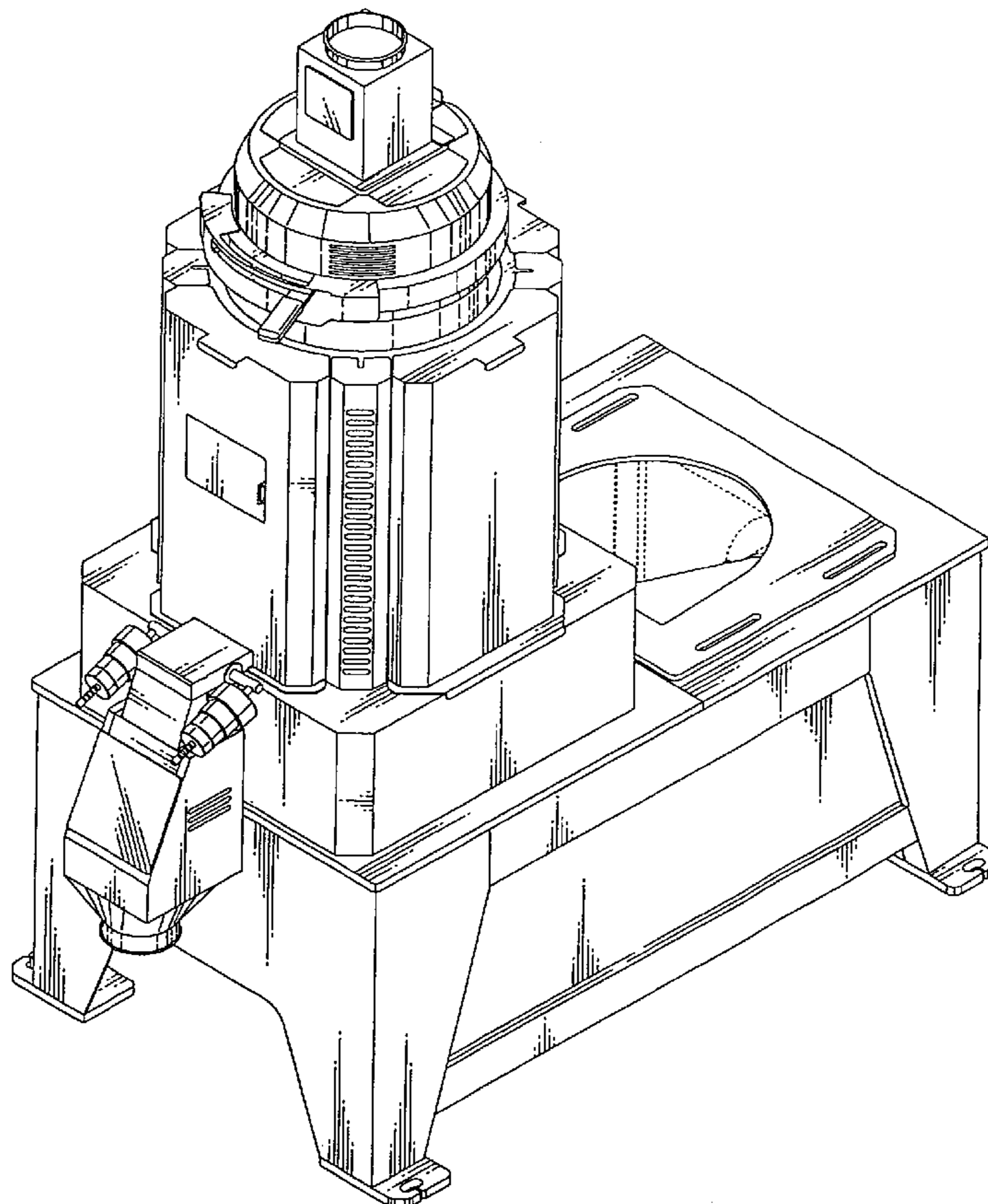


Fig. 1

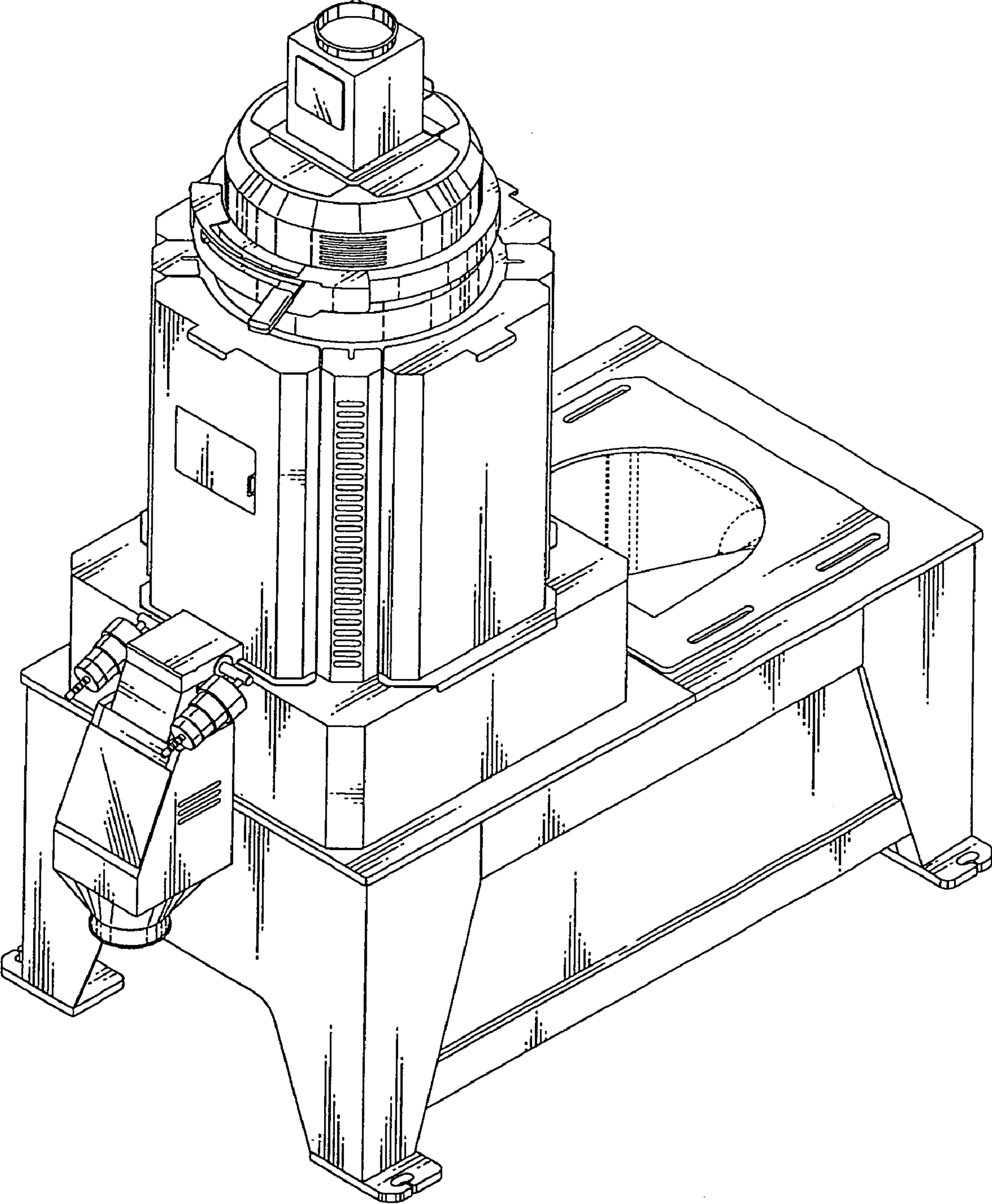


Fig. 2

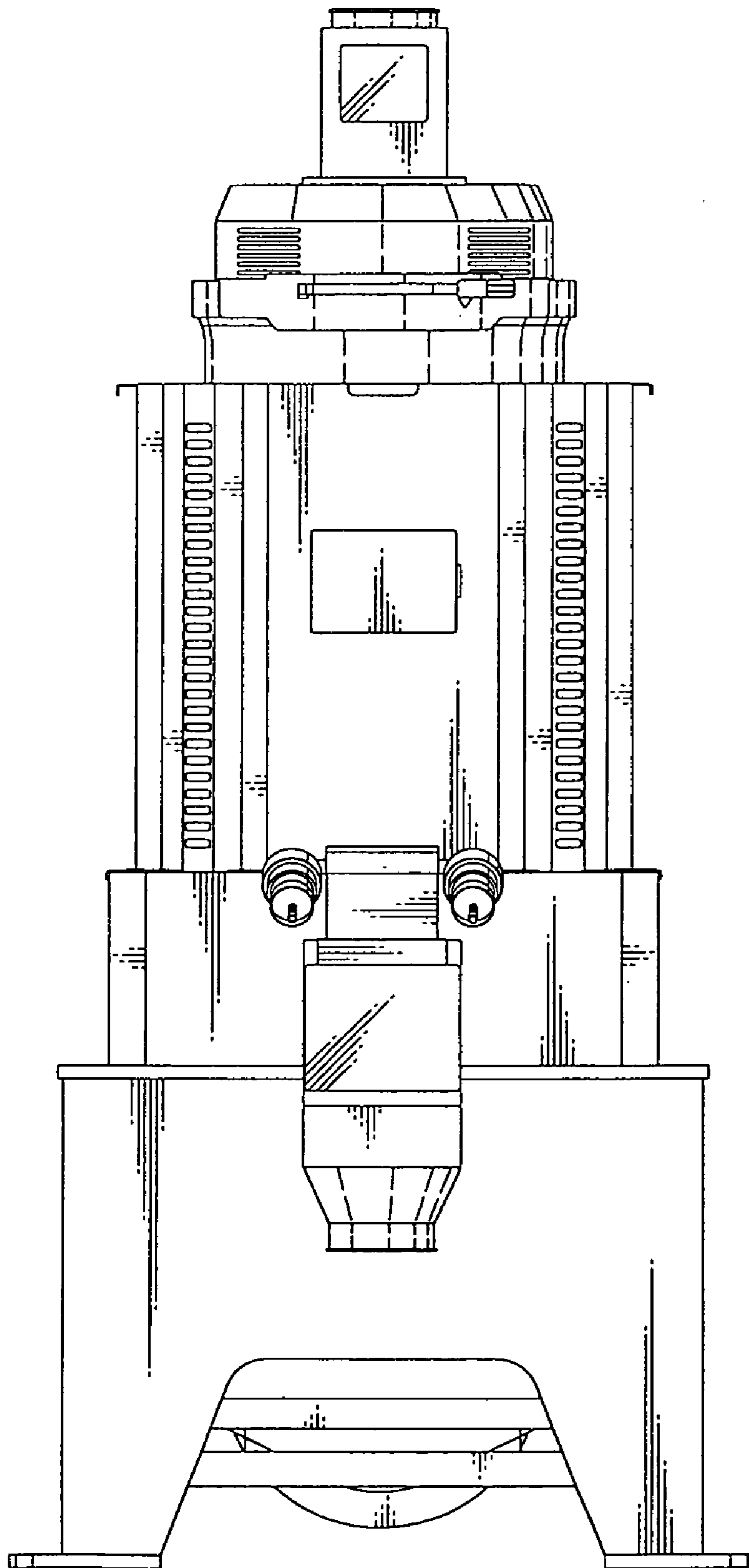


Fig. 3

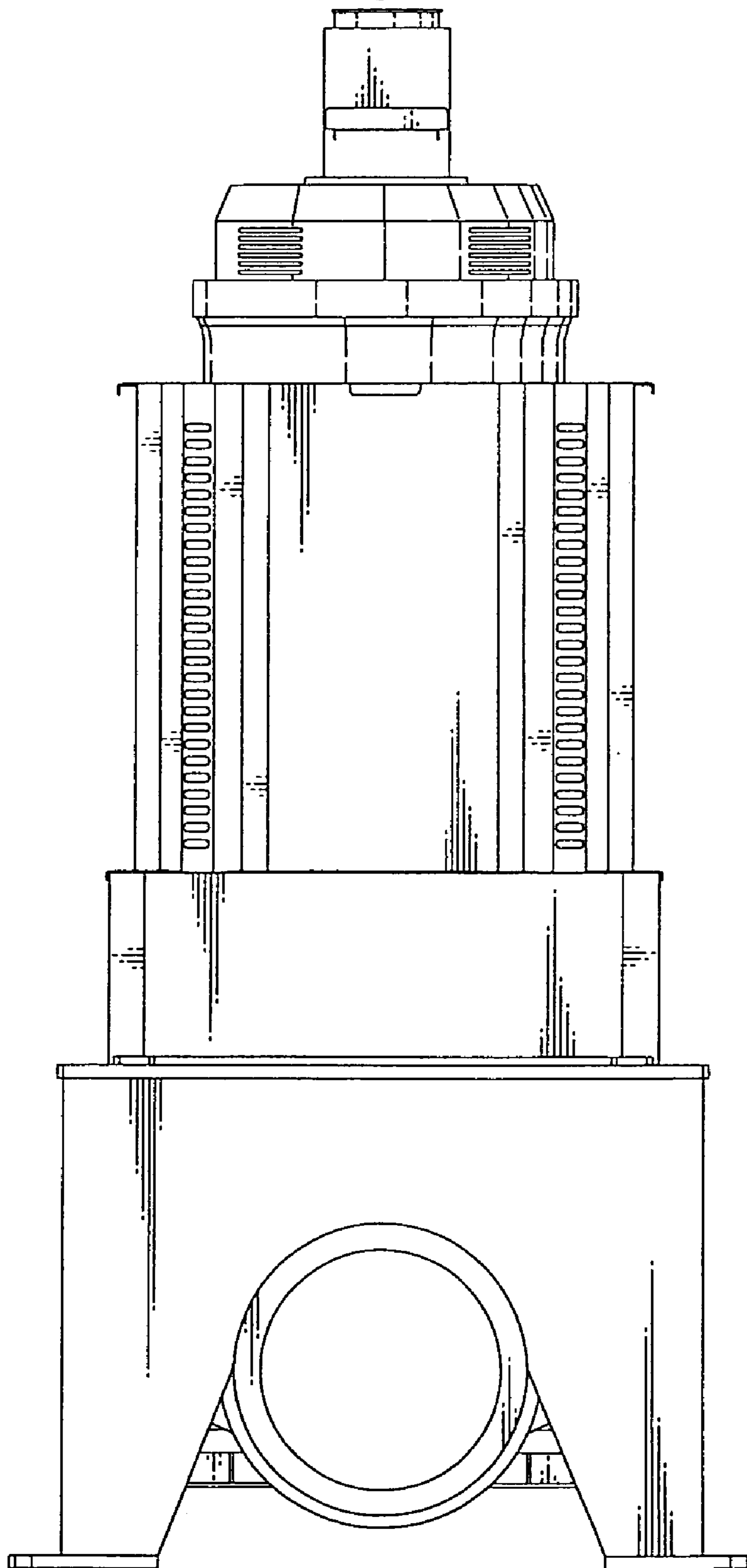


Fig. 4

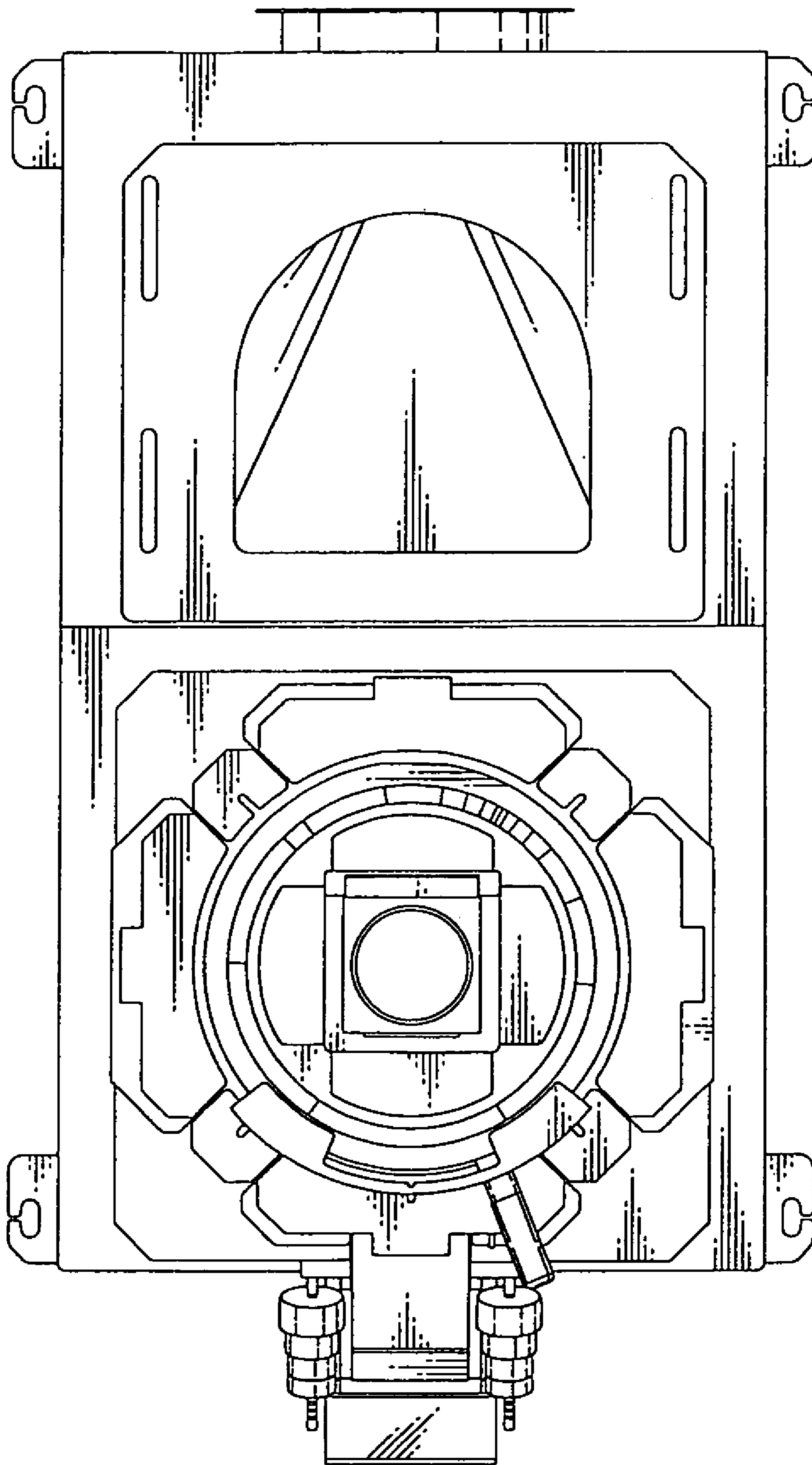


Fig. 5

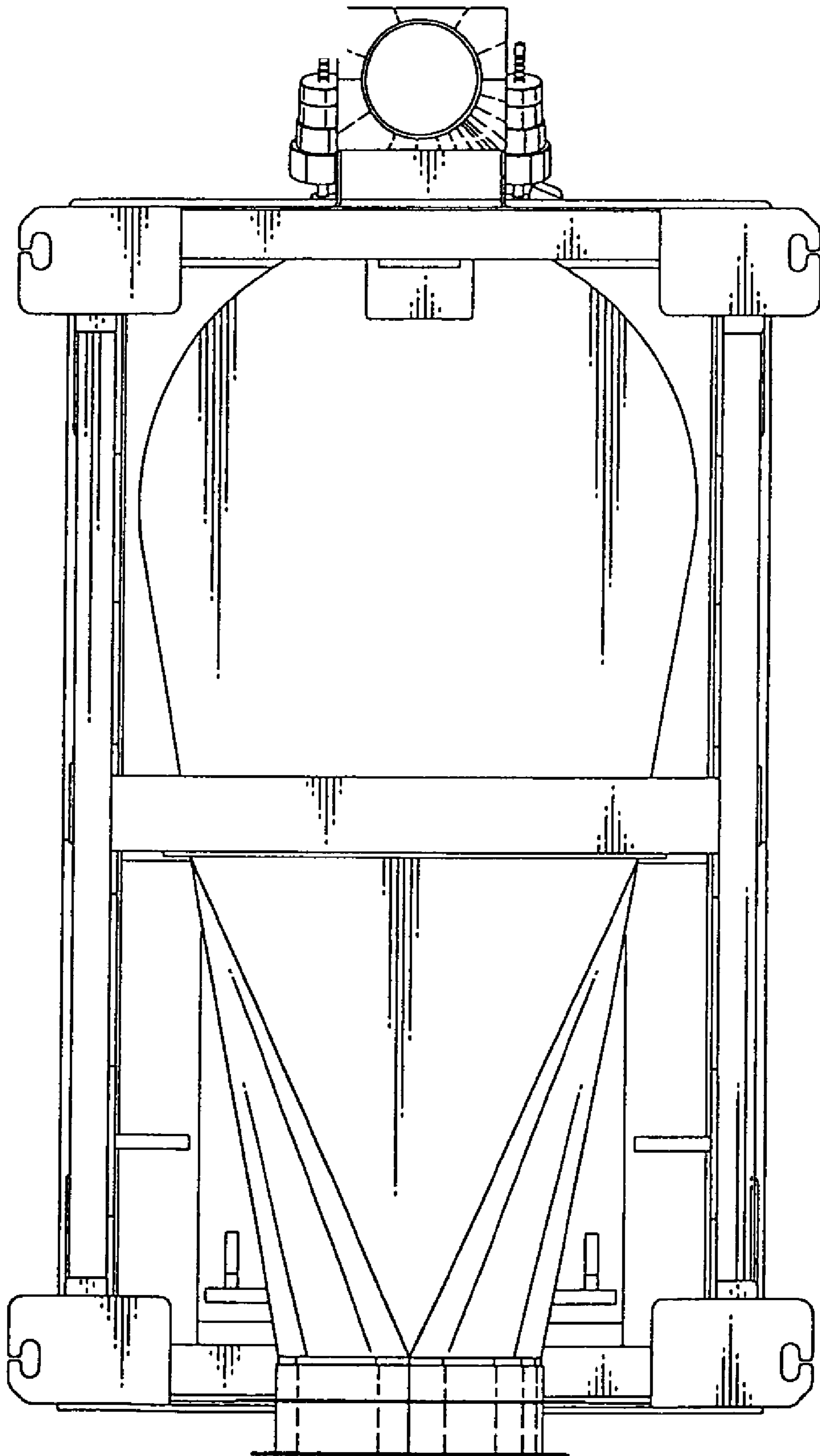


Fig. 6

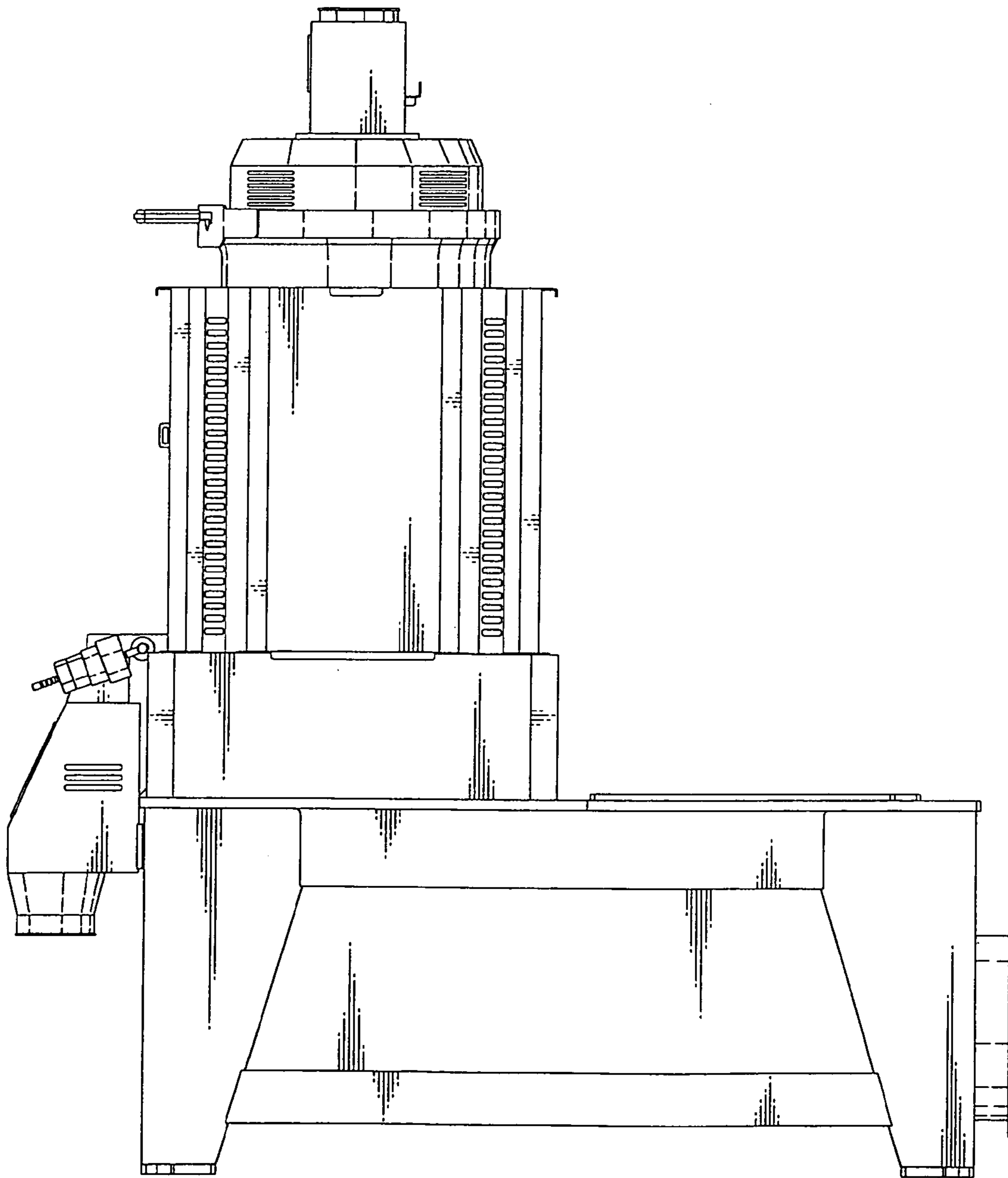


Fig. 7

