



US00D644671S

(12) **United States Design Patent**  
**Desberg**

(10) **Patent No.:** **US D644,671 S**

(45) **Date of Patent:** **\*\* Sep. 6, 2011**

(54) **POTTERY WHEEL**

(75) Inventor: **Ian Desberg**, Emeryville, CA (US)

(73) Assignee: **MarchSource, LLC**, Foothill Ranch, CA (US)

(\*\*) Term: **14 Years**

(21) Appl. No.: **29/378,865**

(22) Filed: **Nov. 10, 2010**

(51) **LOC (9) Cl.** ..... **15-09**

(52) **U.S. Cl.** ..... **D15/130**

(58) **Field of Classification Search** ..... D7/23;  
D9/219; D15/130, 138; D19/35; 425/135,  
425/263–268, 459, 463

See application file for complete search history.

(56) **References Cited**

**U.S. PATENT DOCUMENTS**

D228,091	S	*	8/1973	Soldner	.....	D15/130
D233,696	S	*	11/1974	Piepenburg	.....	D15/130
3,849,054	A	*	11/1974	Jordache	.....	425/459
D243,276	S	*	2/1977	Soldner	.....	D15/130
4,028,041	A	*	6/1977	Zambrano, Jr.	.....	425/459
D245,009	S	*	7/1977	Ebstein	.....	D15/130
D251,378	S	*	3/1979	Doyel	.....	D19/35
D253,828	S	*	1/1980	Soldner	.....	D15/130
D255,244	S	*	6/1980	Lampen	.....	D15/138
D493,474	S	*	7/2004	Oakes	.....	D15/130
2003/0215538	A1	*	11/2003	Oakes	.....	425/263

2004/0033284	A1	*	2/2004	Adachi et al.	.....	425/135
2004/0142061	A1	*	7/2004	Oakes	.....	425/263
2005/0025850	A1	*	2/2005	D'Estais	.....	425/263
2008/0020084	A1	*	1/2008	Piepenburg	.....	425/459
2008/0089973	A1	*	4/2008	Peart	.....	425/459

\* cited by examiner

*Primary Examiner* — Patricia Palasik

(74) *Attorney, Agent, or Firm* — The Eclipse Group LLP

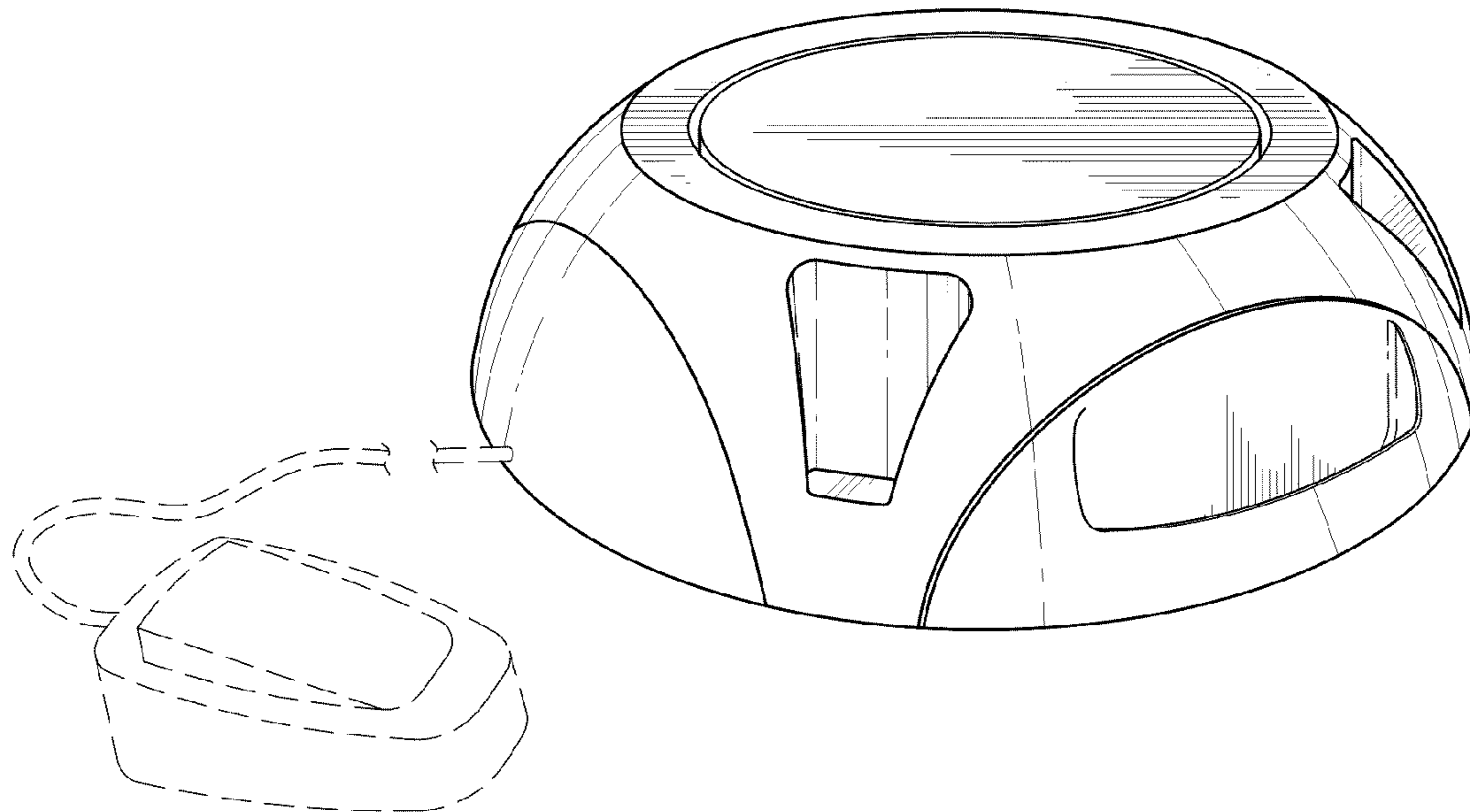
(57) **CLAIM**

I claim the ornamental design for a pottery wheel, as shown and described.

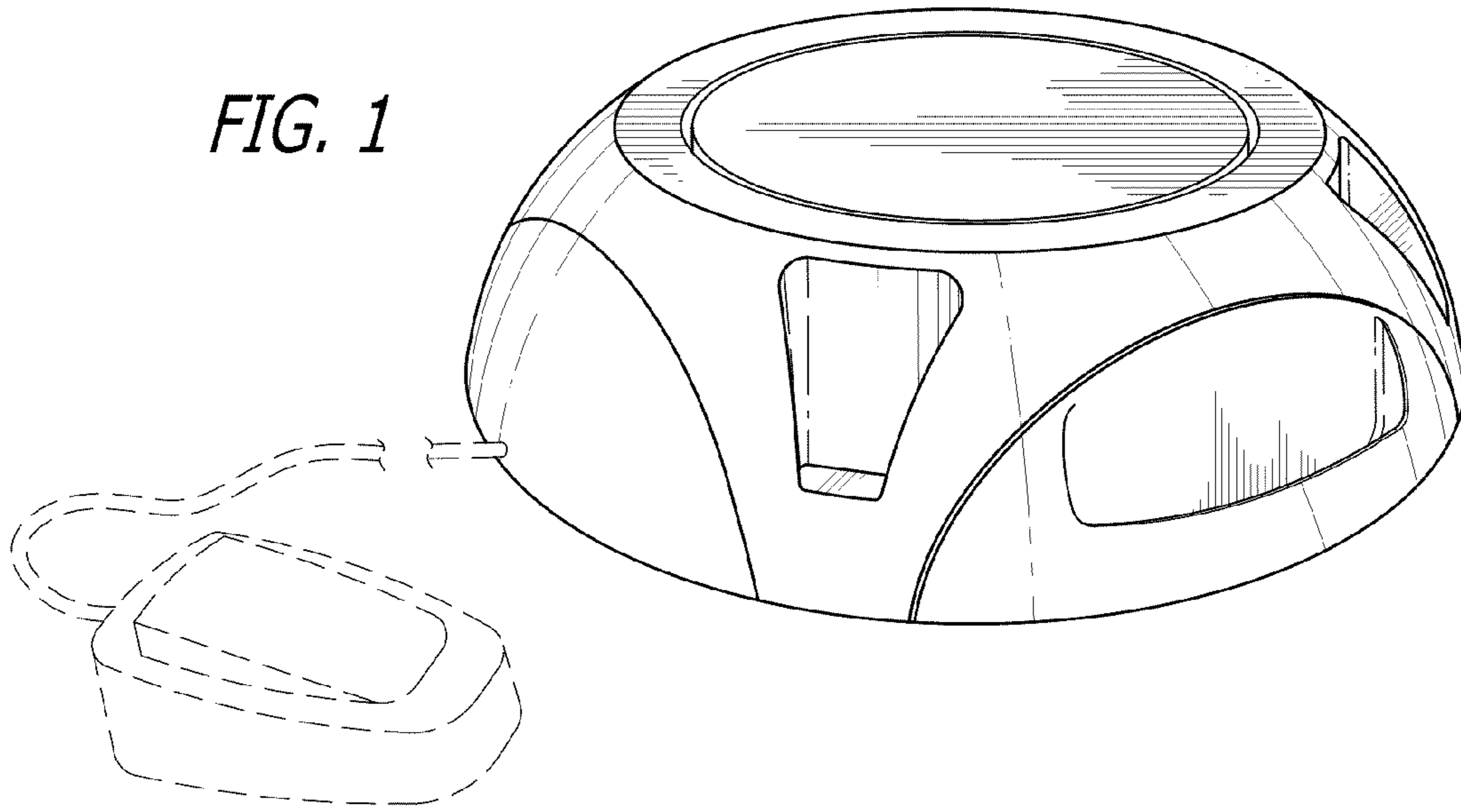
**DESCRIPTION**

FIG. 1 is a left perspective view of a pottery wheel.  
 FIG. 2 is a front elevation view of the pottery wheel illustrated in FIG. 1.  
 FIG. 3 is a rear elevation view of the pottery wheel illustrated in FIG. 1.  
 FIG. 4 is an elevation view of left side of the pottery wheel illustrated in FIG. 1.  
 FIG. 5 is an elevation view of the right side of the pottery wheel illustrated in FIG. 1.  
 FIG. 6 is a top view of the of the pottery wheel illustrated in FIG. 1; and,  
 FIG. 7 is a bottom view of the pottery wheel illustrated in FIG. 1.  
 The broken line cord is shown broken away to indicate no particular length.

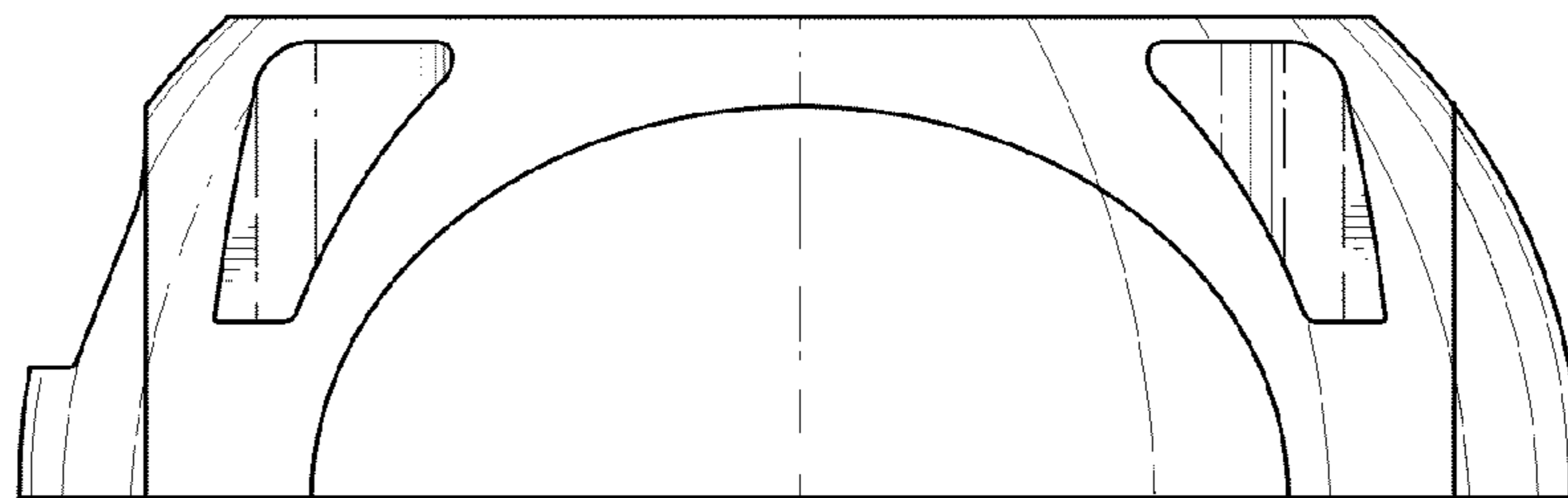
**1 Claim, 3 Drawing Sheets**



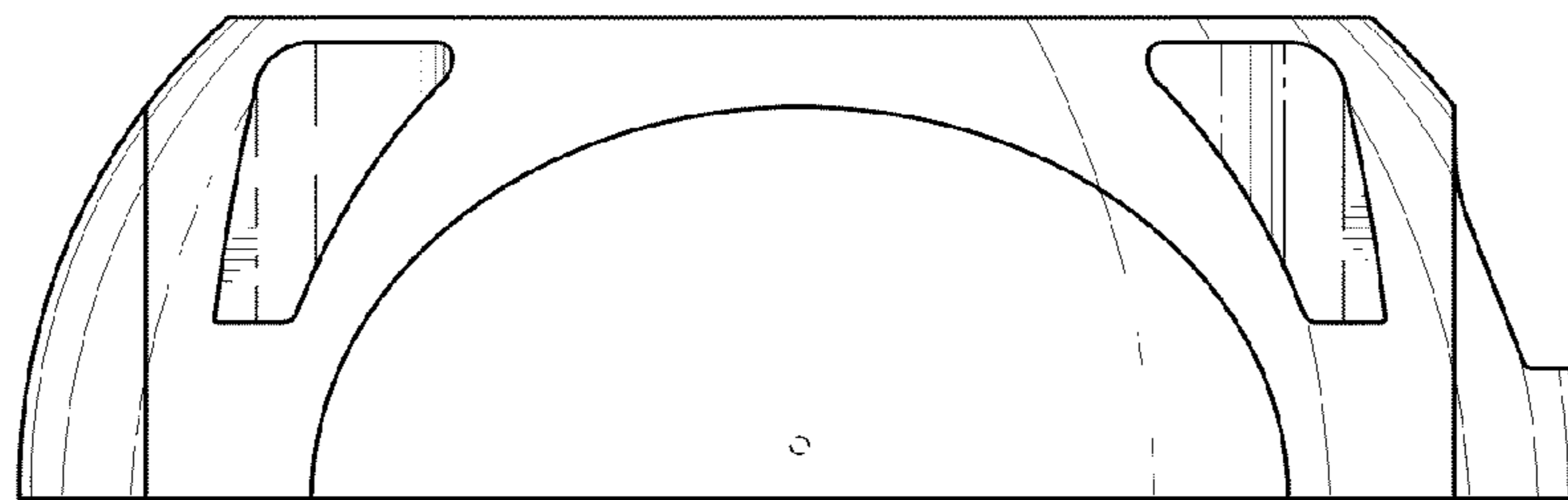
*FIG. 1*



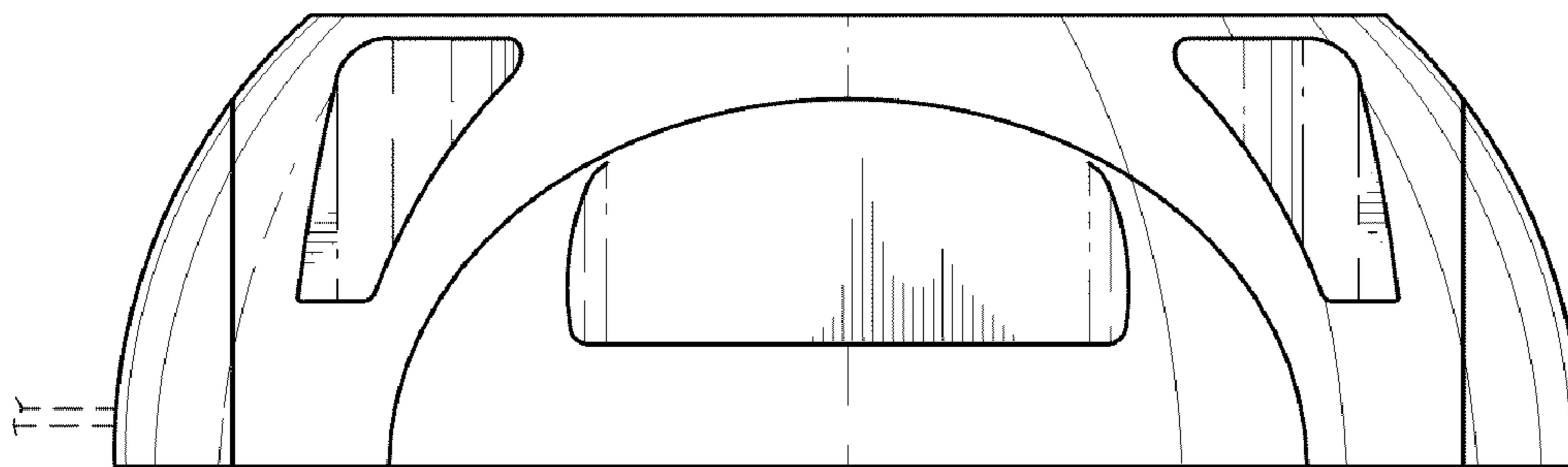
*FIG. 2*



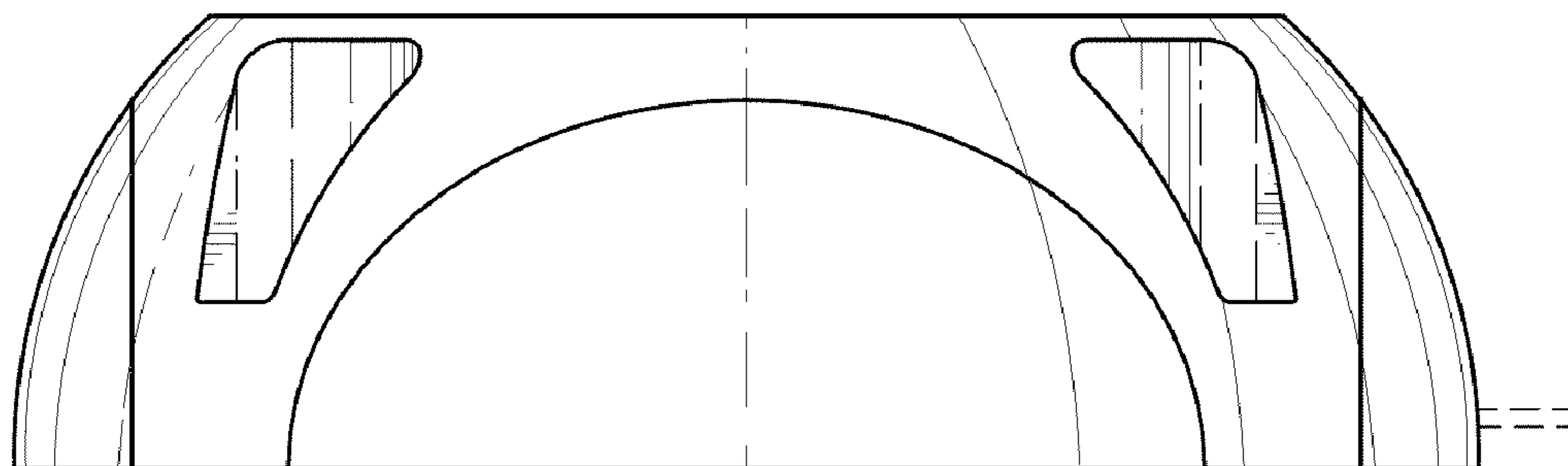
*FIG. 3*



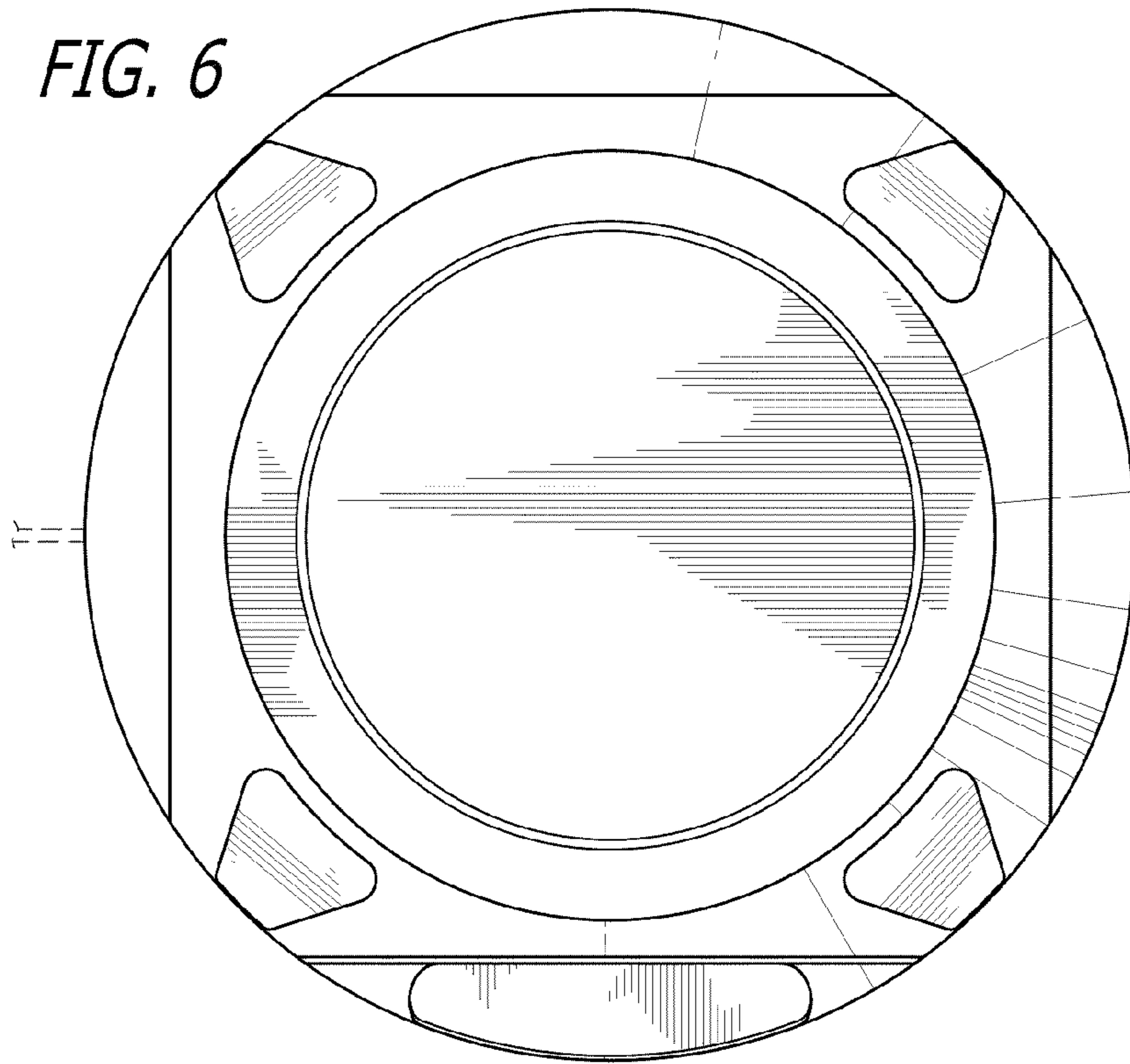
*FIG. 4*



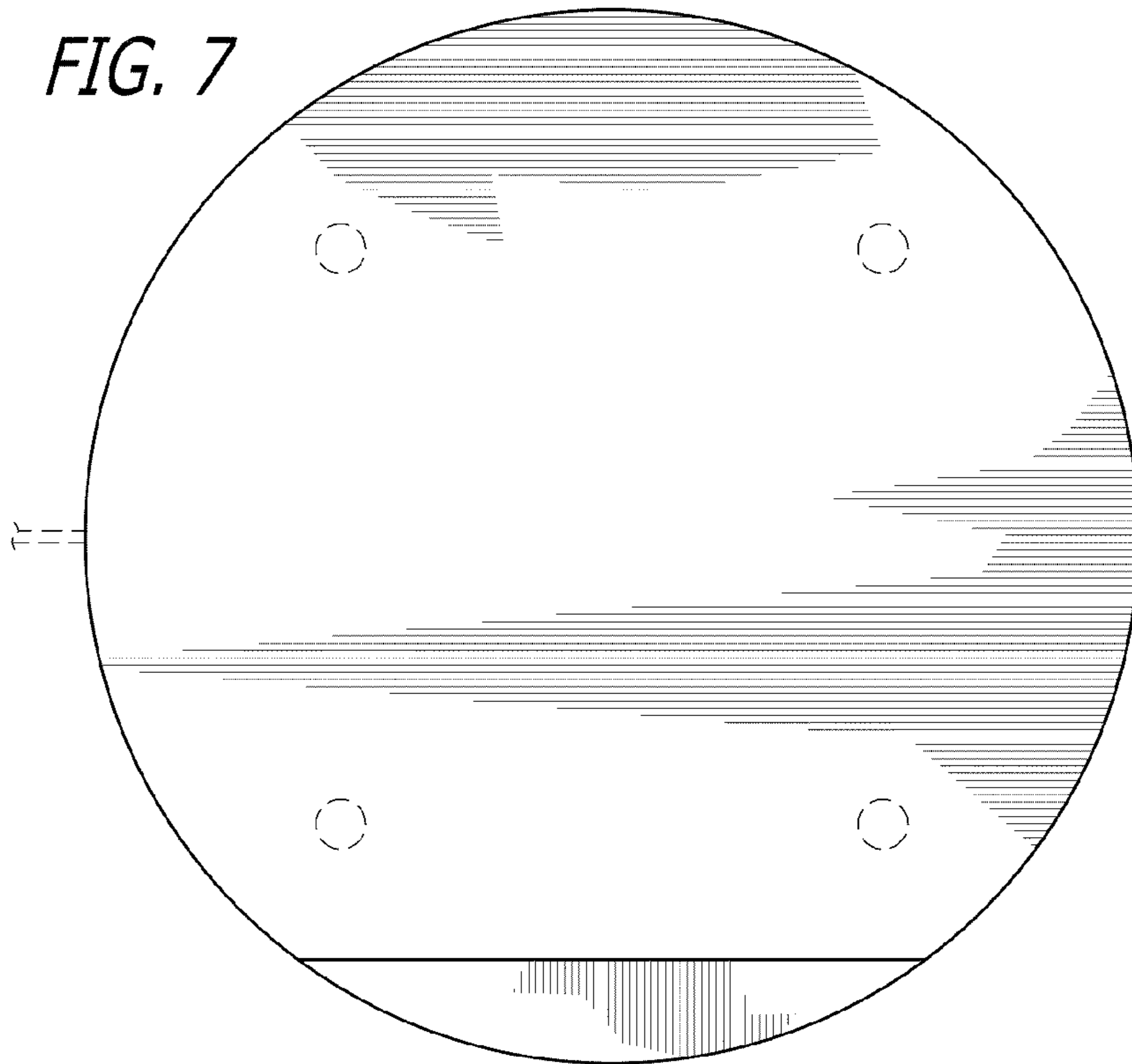
*FIG. 5*



*FIG. 6*



*FIG. 7*



UNITED STATES PATENT AND TRADEMARK OFFICE  
**CERTIFICATE OF CORRECTION**

PATENT NO. : D644,671 S  
APPLICATION NO. : 29/378865  
DATED : September 6, 2011  
INVENTOR(S) : Ian Desberg

Page 1 of 1

It is certified that error appears in the above-identified patent and that said Letters Patent is hereby corrected as shown below:

Title Page, Item (73) Assignee should read:

--MerchSource, LLC--

Signed and Sealed this  
Twenty-fourth Day of January, 2012

A handwritten signature in black ink that reads "David J. Kappos". The signature is written in a cursive, slightly slanted style.

David J. Kappos  
*Director of the United States Patent and Trademark Office*