



US00D644670S

(12) **United States Design Patent**
Barrelmeyer

(10) **Patent No.:** **US D644,670 S**

(45) **Date of Patent:** **** Sep. 6, 2011**

(54) **VEHICLE CRAWLER MECHANISM**

(75) **Inventor:** **Thomas Barrelmeyer, Halle/Westfalen (DE)**

(73) **Assignee:** **CLAAS KGaA mbH, Harsewinkel (DE)**

(**) **Term:** **14 Years**

(21) **Appl. No.:** **29/379,968**

(22) **Filed:** **Nov. 29, 2010**

(30) **Foreign Application Priority Data**

Jun. 21, 2010 (EP) 001220818

(51) **LOC (9) Cl.** **15-03**

(52) **U.S. Cl.** **D15/28**

(58) **Field of Classification Search** D15/10,
D15/22-26, 28; 180/9.1, 9.21, 9.26, 9.28,
180/908; 305/135, 136, 165, 15, 154, 195,
305/196, 185, 193, 111, 134, 124, 125, 120,
305/129-132, 116, 138

See application file for complete search history.

(56) **References Cited**

U.S. PATENT DOCUMENTS

D230,300 S *	2/1974	Oestmann et al.	D15/28
D298,018 S *	10/1988	Cartwright	D12/3
D302,017 S *	7/1989	Grawey et al.	D15/28
D309,314 S *	7/1990	Grawey et al.	D15/28
6,074,025 A *	6/2000	Juncker et al.	305/130
6,401,847 B1 *	6/2002	Lykken	180/9.1

D473,245 S *	4/2003	Heitmann	D15/28
6,557,953 B1 *	5/2003	Kahle et al.	305/135
D488,171 S *	4/2004	Juncker et al.	D15/28
D497,621 S *	10/2004	Inaoka et al.	D15/28
D505,136 S *	5/2005	Brazier	D15/28
6,904,986 B2 *	6/2005	Brazier	180/9.21
6,926,105 B2 *	8/2005	Brazier	180/9.21
D510,742 S *	10/2005	Stover	D15/28
D514,596 S *	2/2006	Radke	D15/25
D528,133 S *	9/2006	Brazier	D15/28
D549,244 S *	8/2007	Noel	D15/28
D556,791 S *	12/2007	Brazier	D15/28
D593,135 S *	5/2009	Hansen	D15/28
D593,136 S *	5/2009	Hansen	D15/28
D603,880 S *	11/2009	Brazier	D15/28

* cited by examiner

Primary Examiner — Mark Goodwin

(74) *Attorney, Agent, or Firm* — Michael J. Striker

(57) **CLAIM**

The ornamental design for a vehicle crawler mechanism, as shown and described

DESCRIPTION

FIG. 1 is a perspective view of a vehicle crawler mechanism as shown and described;

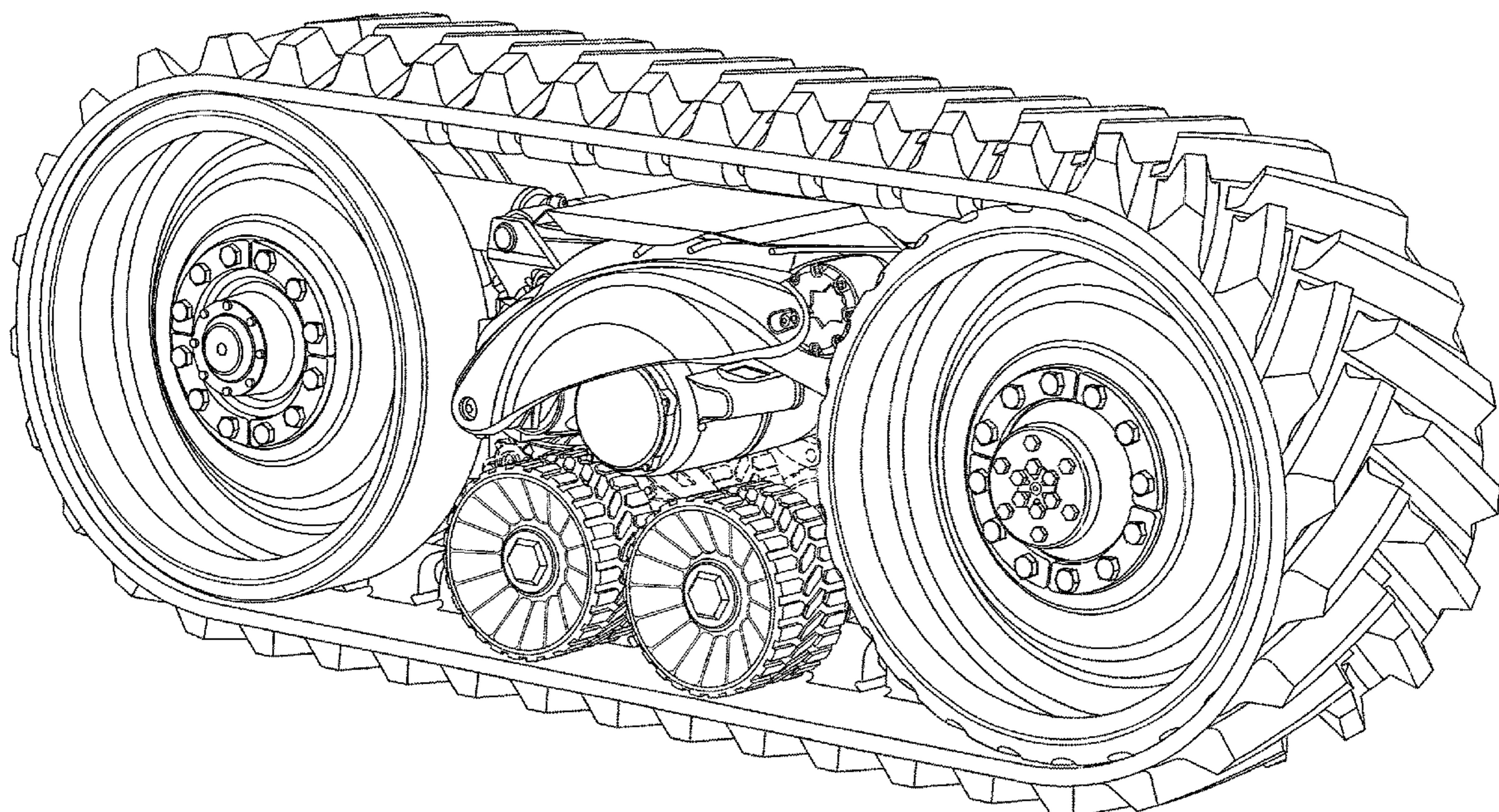
FIG. 2 is a front view thereof;

FIG. 3 is a top view thereof; and,

FIG. 4 is a side view thereof which is a mirror image of the opposite side view thereof.

The portions of the vehicle, crawl or mechanism shown in broken lines form no part of the claim design.

1 Claim, 4 Drawing Sheets



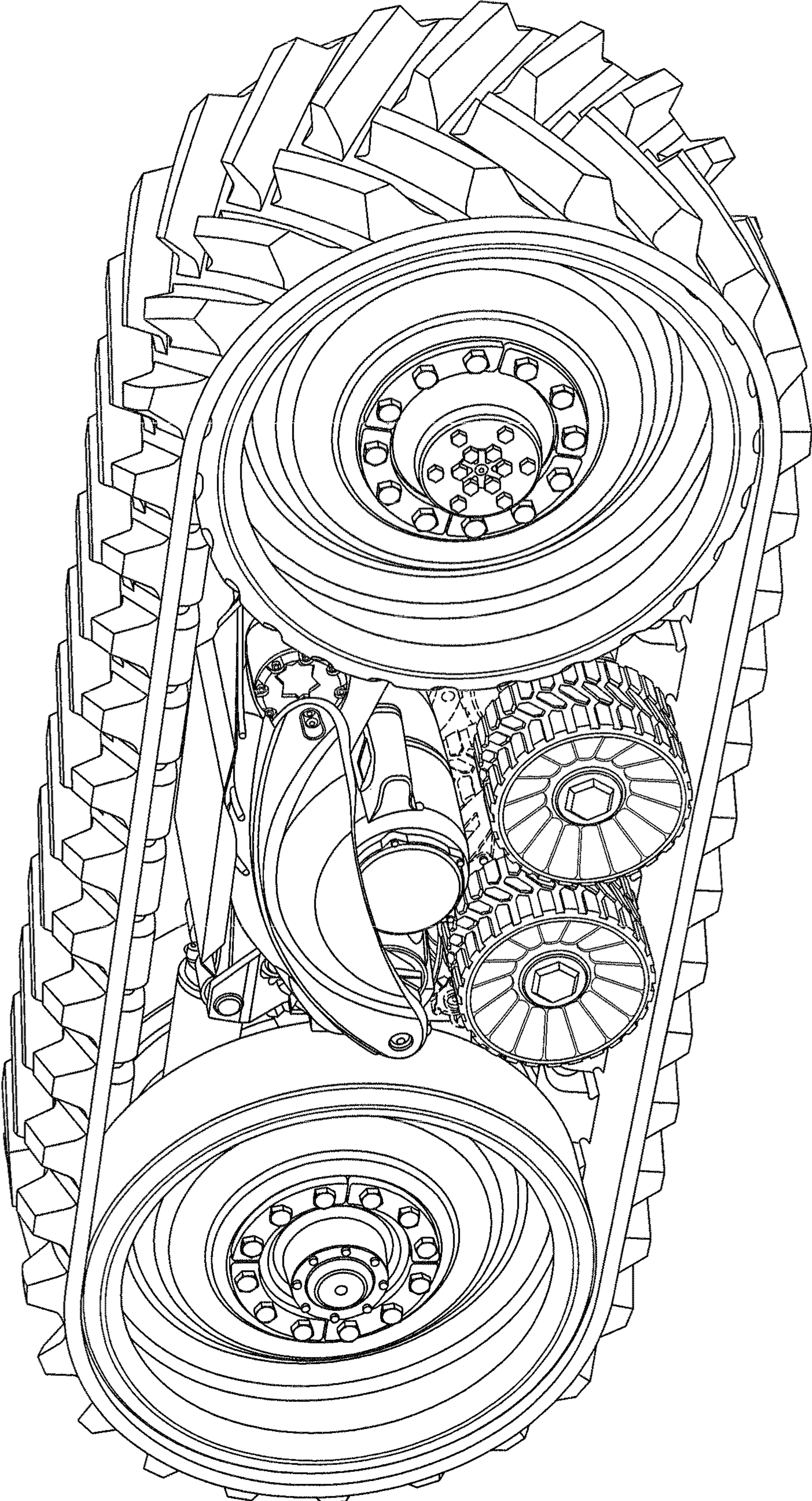


FIG.1

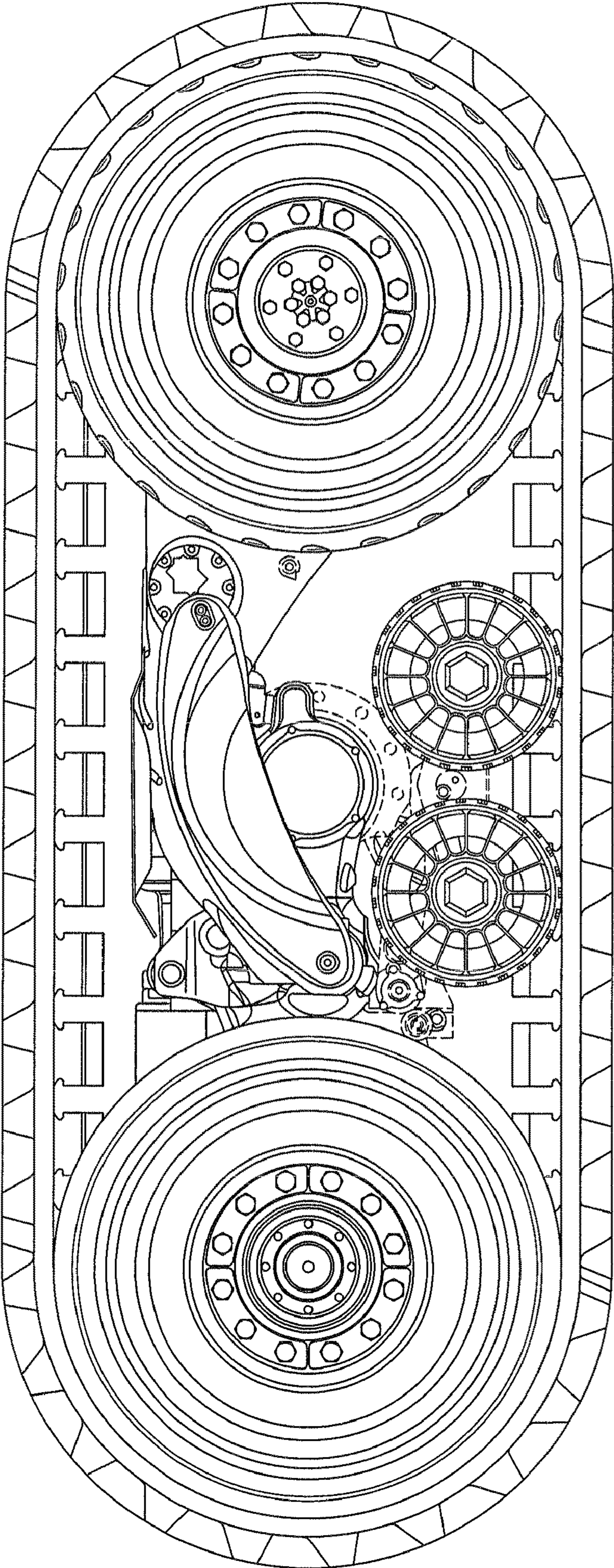


FIG.2

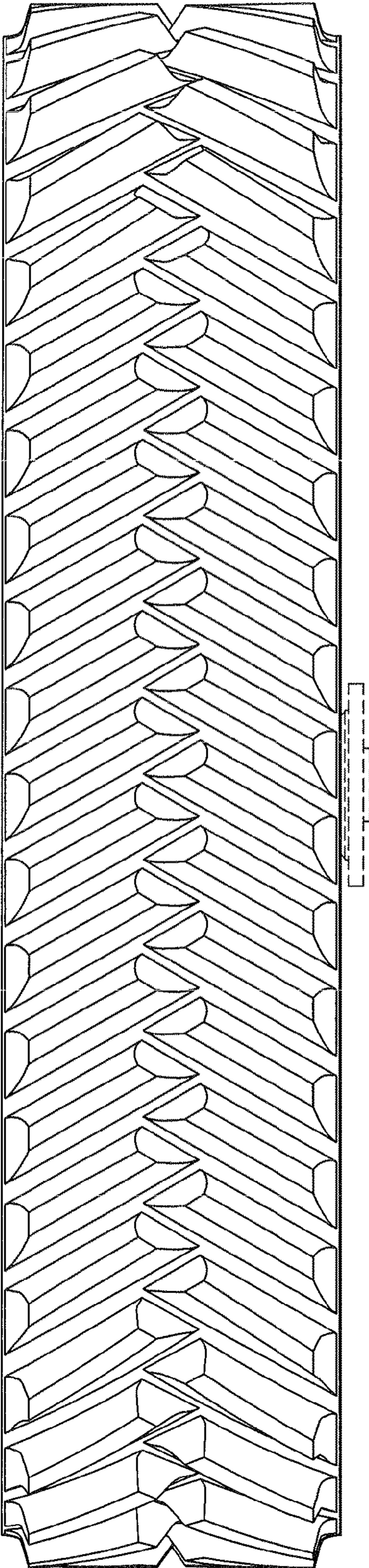


FIG.3

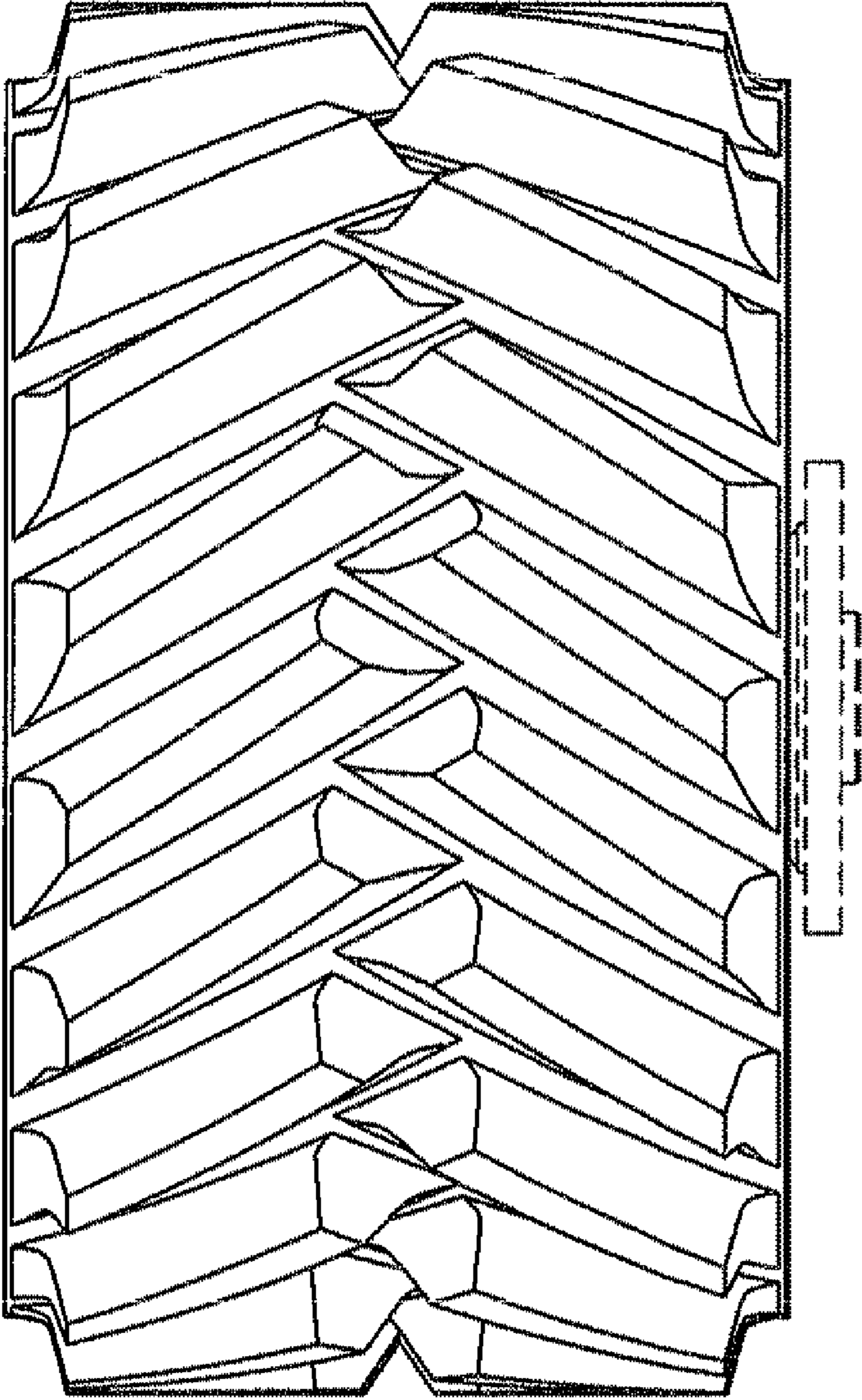


FIG. 4