



US00D644669S

(12) **United States Design Patent**
Escobar

(10) **Patent No.:** **US D644,669 S**

(45) **Date of Patent:** **** Sep. 6, 2011**

(54) **WEED TRIMMER WHEEL ATTACHMENT**

(76) **Inventor:** **Ernesto Escobar**, Virginia Beach, VA
(US)

(**) **Term:** **14 Years**

(21) **Appl. No.:** **29/370,353**

(22) **Filed:** **Jul. 6, 2010**

(51) **LOC (9) Cl.** **15-03**

(52) **U.S. Cl.** **D15/28; D15/17**

(58) **Field of Classification Search** D15/11,
D15/17, 28; D8/7, 8; D34/24, 28; 172/13,
172/15, 17, 17.2, 12.7, 16.7, 17.1, 15.6, 17.5;
56/7, 2, 12.1; 24/273; 280/29, 47.34, 47.24,
280/47, 24

See application file for complete search history.

(56) **References Cited**

U.S. PATENT DOCUMENTS

4,282,704	A	8/1981	Stevens	
4,307,563	A	12/1981	Fuelling, Jr.	
4,442,659	A *	4/1984	Enbusk	56/12.7
D274,945	S *	7/1984	Fitch	D25/68
4,756,147	A *	7/1988	Savell	56/16.7
D310,894	S *	9/1990	Smith	D34/23
5,092,112	A *	3/1992	Buckendorf, Jr.	56/17.5
D356,583	S *	3/1995	Cordova	D15/17
5,408,816	A	4/1995	Cartier	
5,836,142	A *	11/1998	Maxwell	56/12.1
D408,111	S *	4/1999	Cook	D34/24
6,050,069	A *	4/2000	Elensky	56/7
6,116,350	A	9/2000	Notaras et al.	
D451,932	S *	12/2001	Dockery	D15/28
D471,288	S *	3/2003	Feik	D25/68
6,675,565	B2 *	1/2004	Appleyard	56/12.7

6,745,549	B1 *	6/2004	Taylor	56/12.7
7,036,631	B2 *	5/2006	Feik et al.	182/129
D528,567	S *	9/2006	Longo	D15/17
7,107,745	B2 *	9/2006	Dunda	56/12.7
D550,921	S *	9/2007	McMorris	D34/23
7,360,350	B1 *	4/2008	Smith, Jr.	56/12.7
D623,670	S *	9/2010	Escobar	D15/28
2002/0078673	A1 *	6/2002	Appleyard	56/17.2
2003/0066279	A1 *	4/2003	Deal	56/17.5
2003/0221400	A1 *	12/2003	Gallentine	56/12.7
2006/0220333	A1 *	10/2006	Olson	280/47.34
2009/0090011	A1 *	4/2009	Gosschalk et al.	30/296.1

* cited by examiner

Primary Examiner — Mark Goodwin

(57) **CLAIM**

The ornamental design for a weed trimmer wheel attachment, as shown and described.

DESCRIPTION

FIG. 1 is a perspective view of a weed trimmer wheel attachment showing my new design.

FIG. 2 is a reduced perspective view thereof shown in use condition, attached to a weed trimmer.

FIG. 3 is an enlarged front elevational view of FIG. 1 thereof, the rear elevational view being a mirror image thereof.

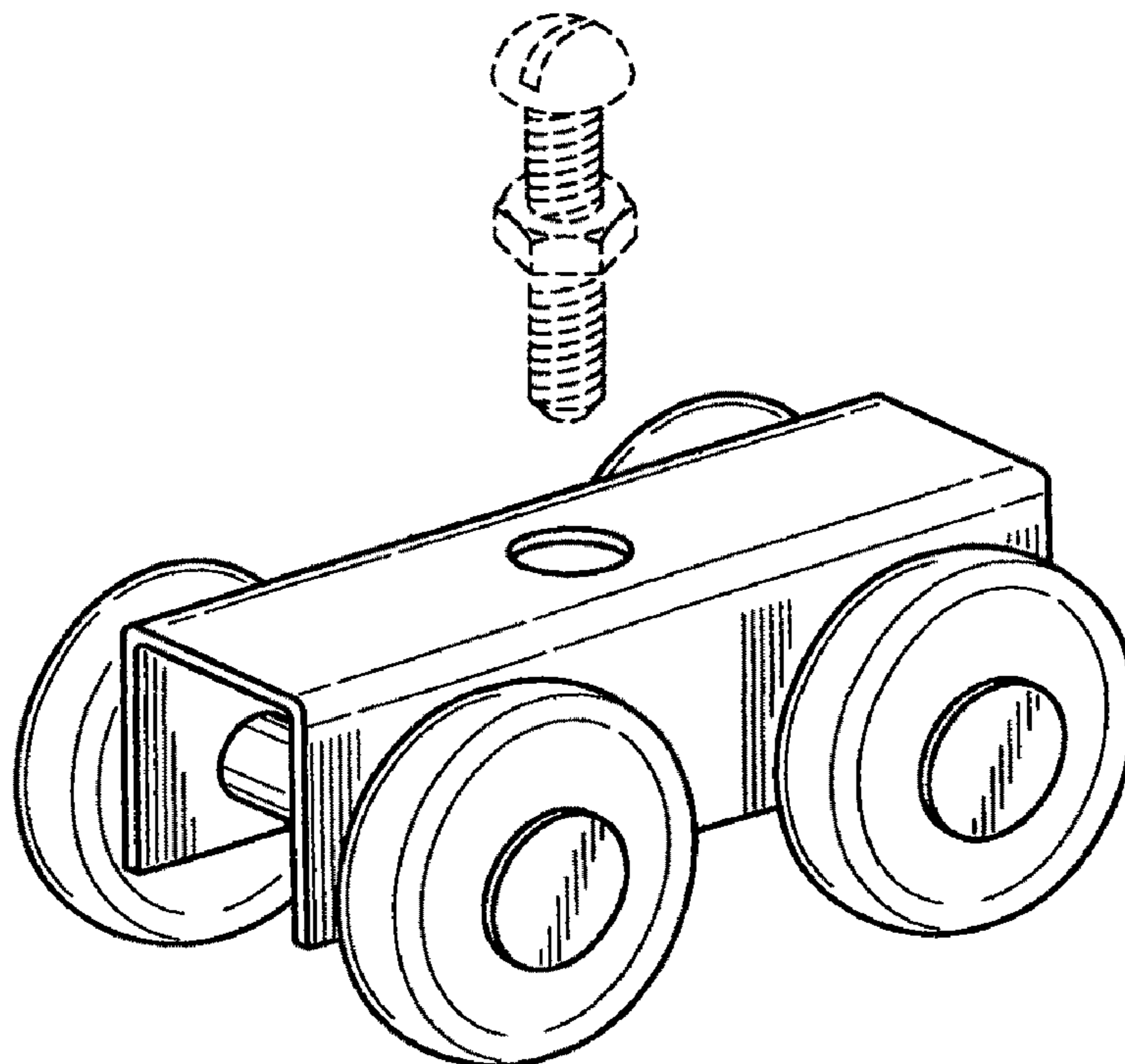
FIG. 4 is left end elevational view thereof, the right end elevational view being a mirror image thereof.

FIG. 5 is a top plan view thereof; and,

FIG. 6 is a bottom plan view thereof.

The broken line showing of a bolt in FIG. 1 and a weed trimmer in FIG. 2 is included for the purpose of illustrating environmental structure only and forms no part of the claimed design.

1 Claim, 3 Drawing Sheets



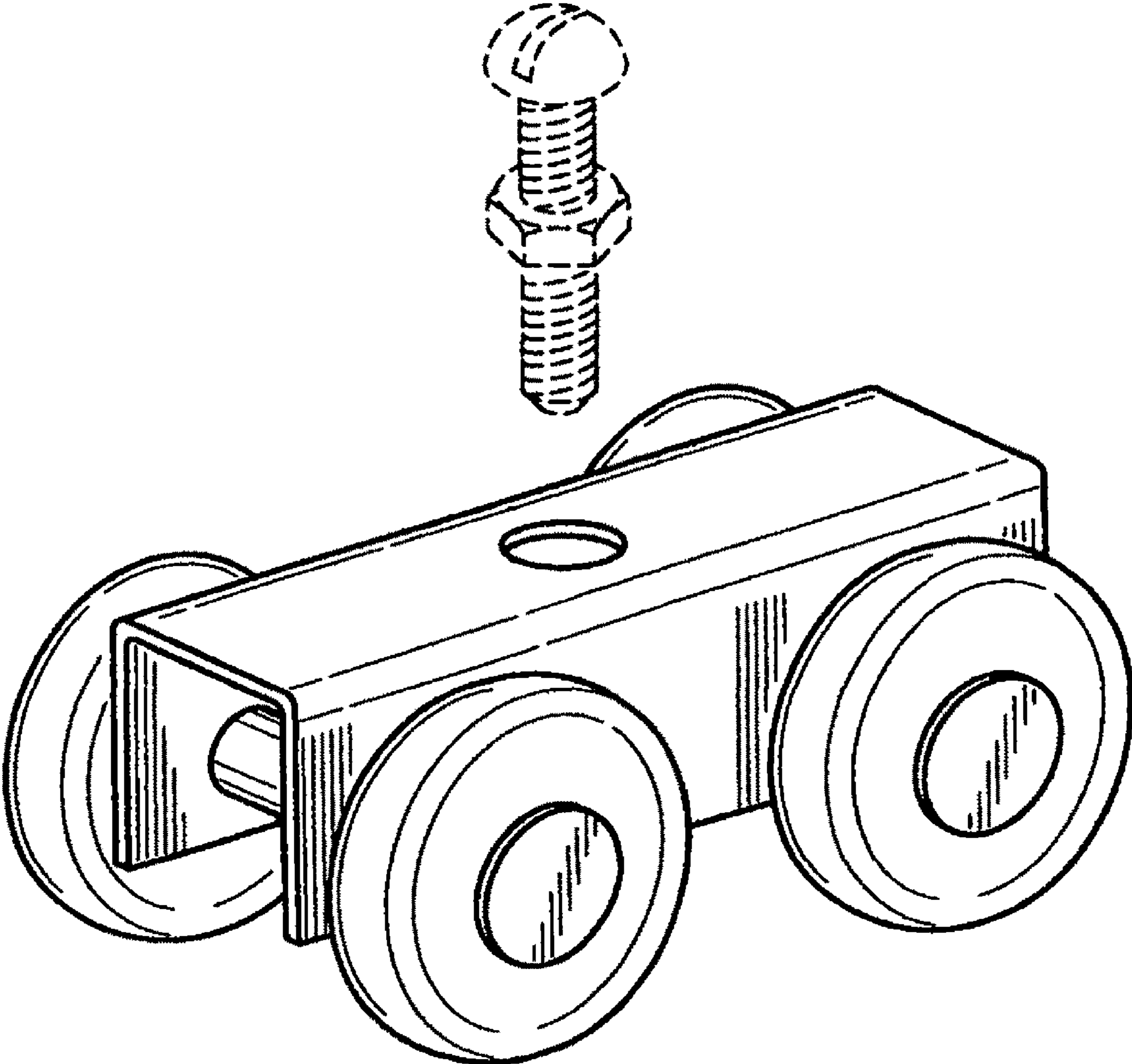


FIG. 1

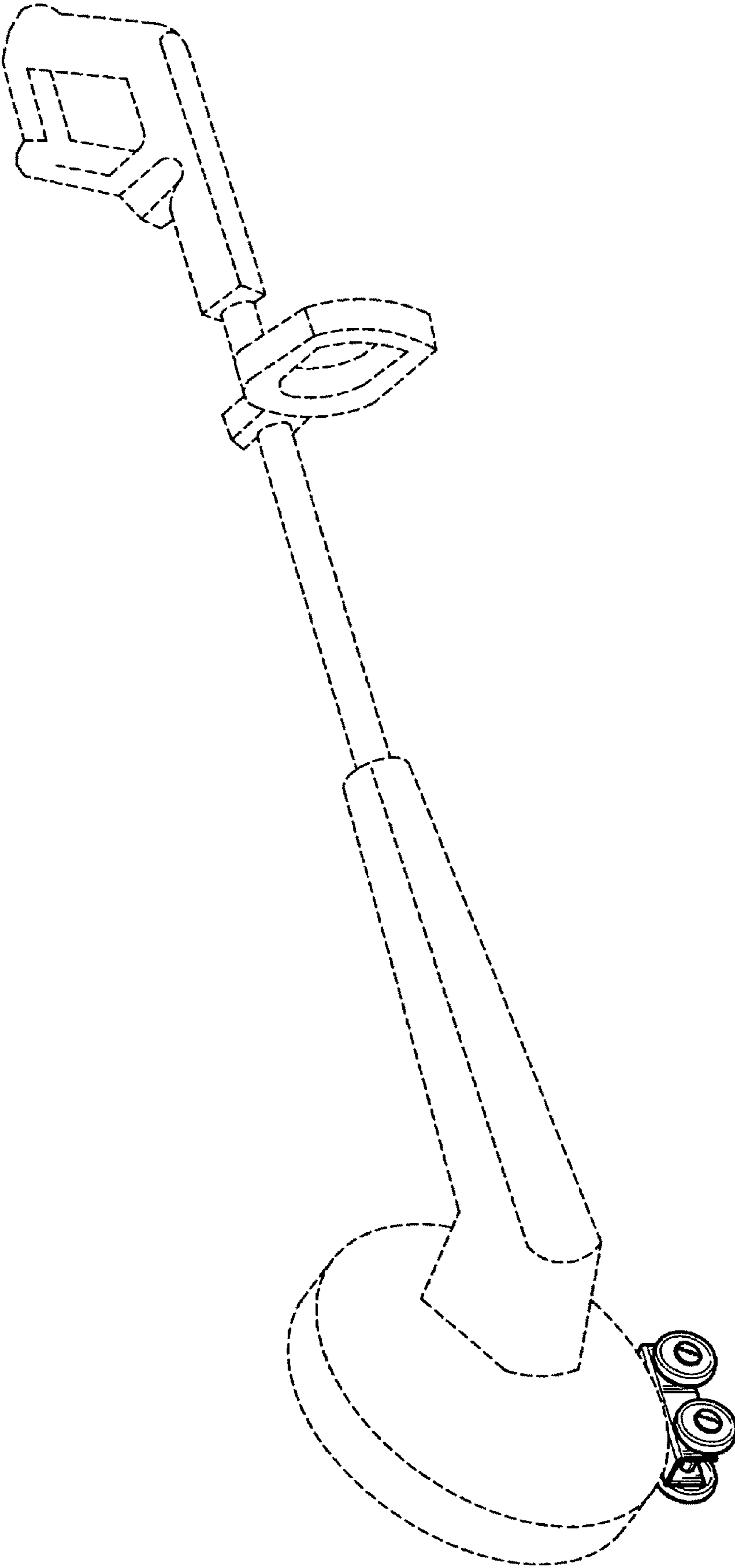


FIG. 2

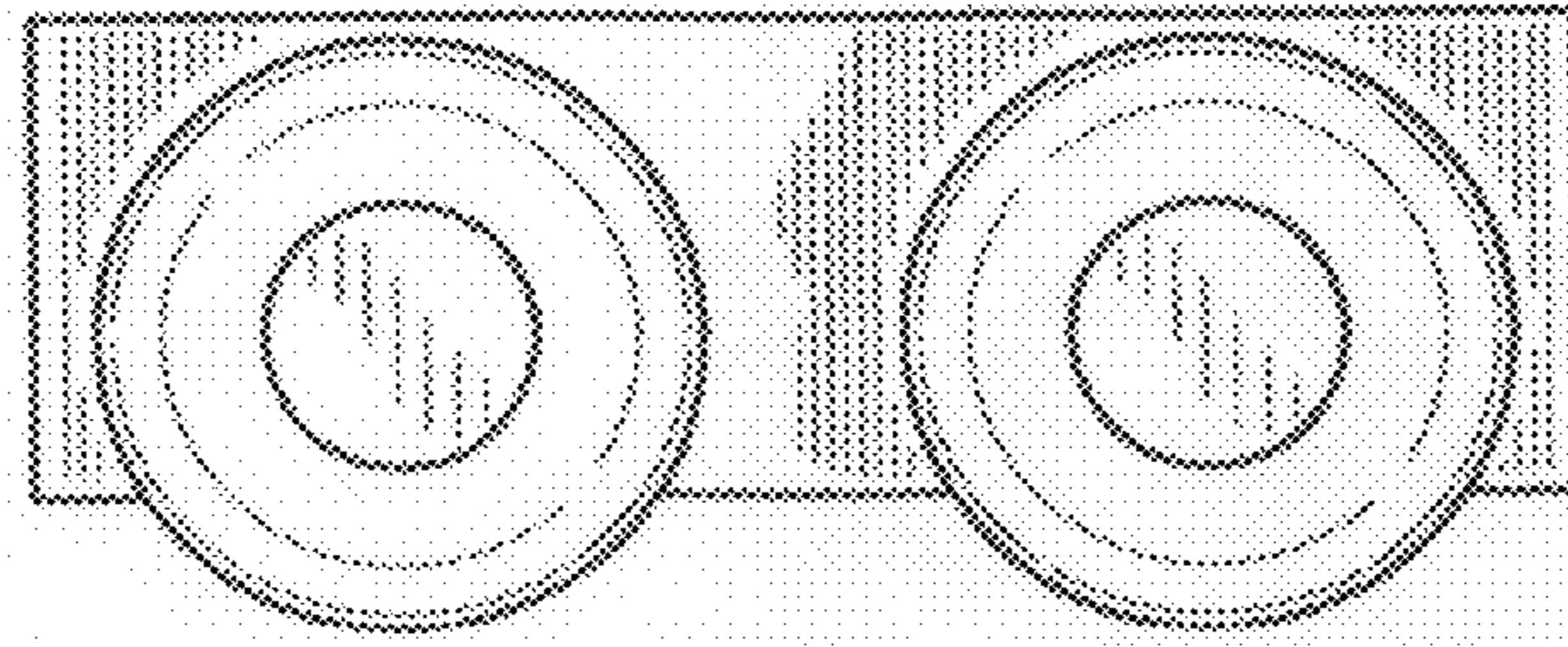


FIG. 3

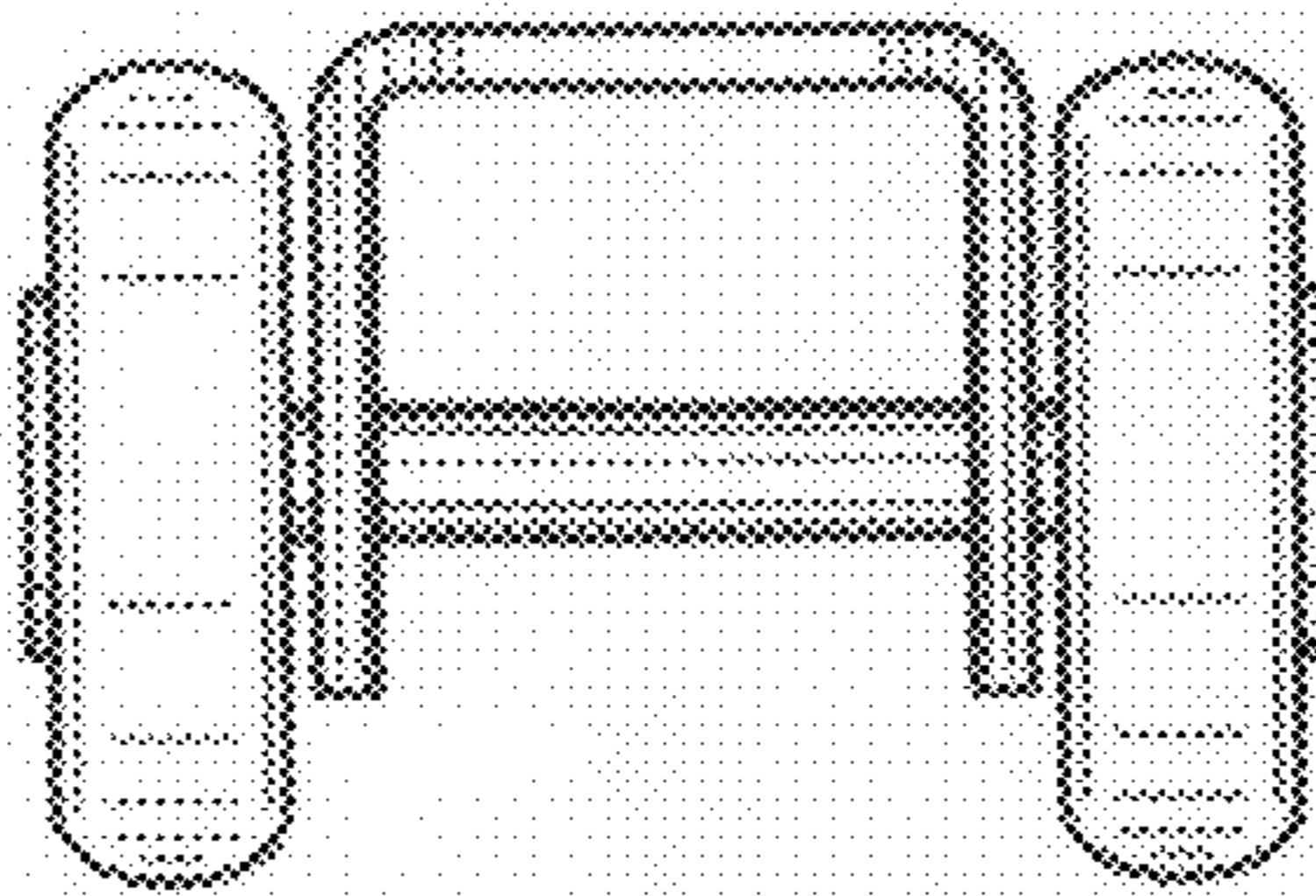


FIG. 4

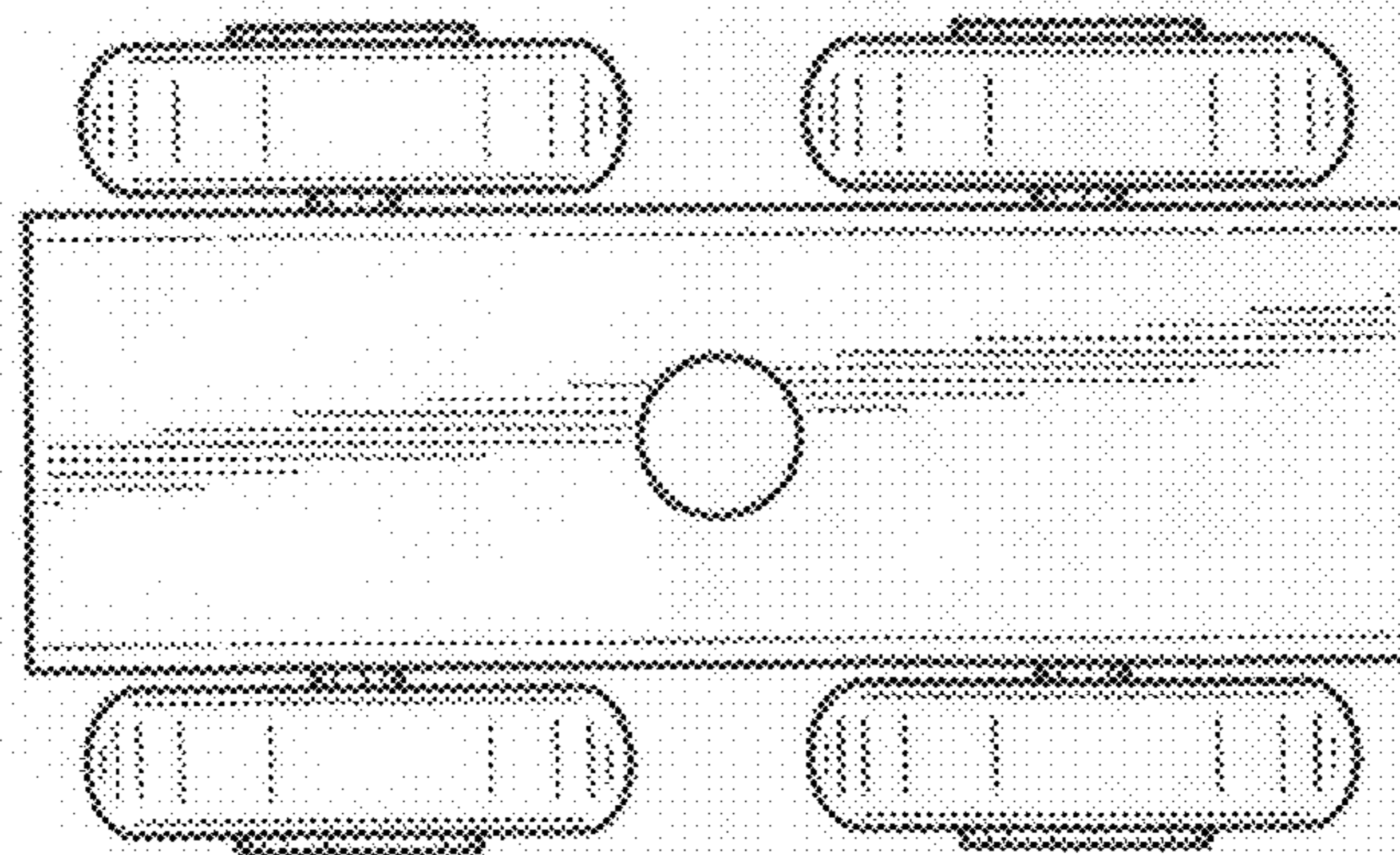


FIG. 5

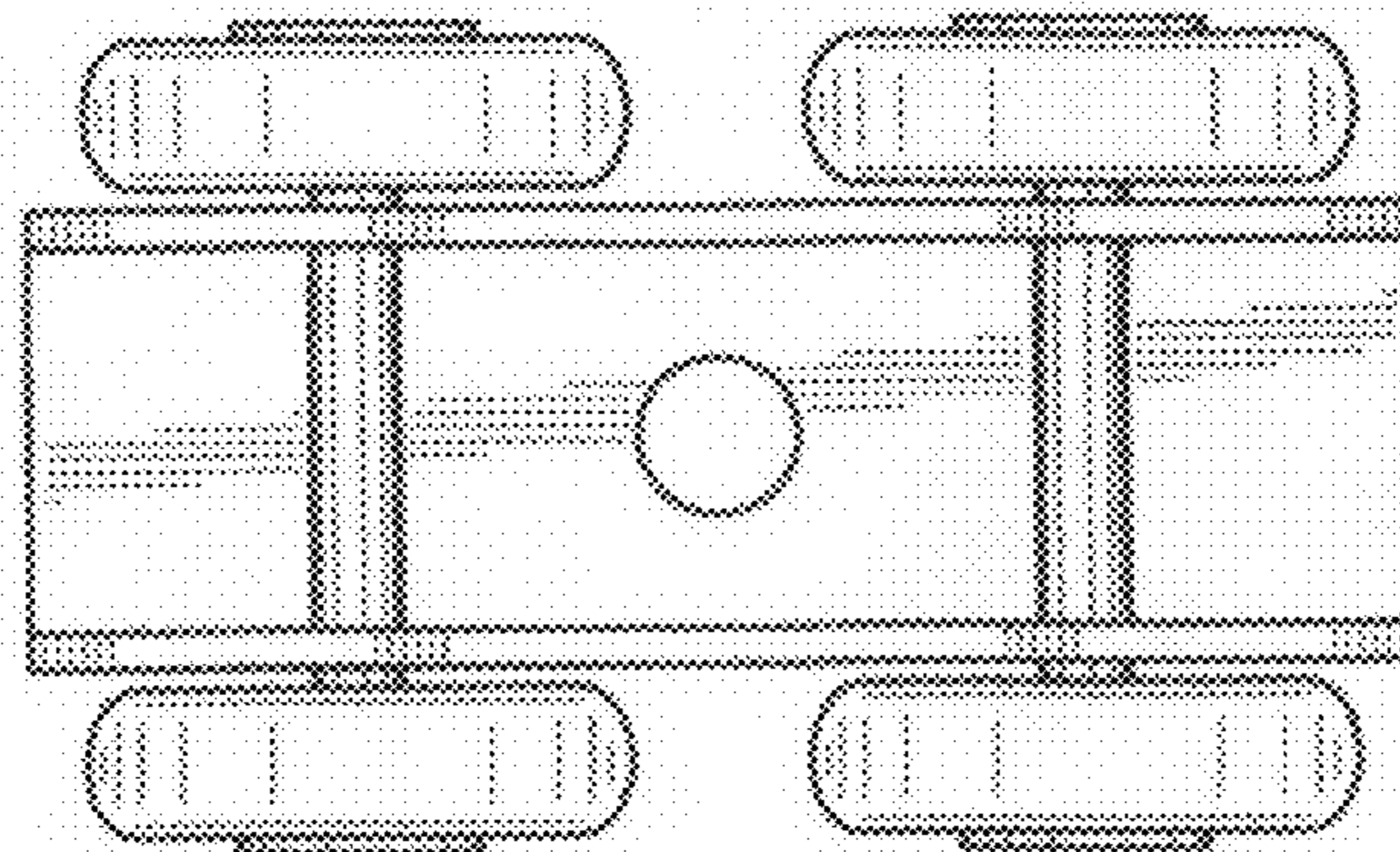


FIG. 6