



US00D644667S

(12) **United States Design Patent**  
**Barton, Jr.**

(10) **Patent No.:** **US D644,667 S**  
(45) **Date of Patent:** **\*\* Sep. 6, 2011**

- (54) **CULTIPACKER**
- (75) Inventor: **Bruce G. Barton, Jr.**, Brighton, MI (US)
- (73) Assignee: **Three 60 Corporation**, Howell, MI (US)
- (\*\*) Term: **14 Years**
- (21) Appl. No.: **29/306,100**
- (22) Filed: **Apr. 2, 2008**

**Related U.S. Application Data**

- (62) Division of application No. 29/250,079, filed on Nov. 1, 2006, now Pat. No. Des. 568,907.
- (51) **LOC (9) Cl.** ..... **15-03**
- (52) **U.S. Cl.** ..... **D15/20; D15/27; D15/28**
- (58) **Field of Classification Search** ..... D15/10, D15/11, 20, 21, 32, 27-29; D24/211-214; 172/349-351, 360, 537, 756, 766, 179, 154, 172/611; 280/1.5, 78; 601/94, 95, 99, 102, 601/118; D9/683, 695  
See application file for complete search history.

**References Cited**

**U.S. PATENT DOCUMENTS**

97,697	A *	12/1869	Retzlaff	172/537
297,084	A	4/1884	Munz et al.	
739,307	A *	9/1903	Grubb	172/176
890,268	A *	6/1908	Erickson	172/176
923,431	A *	6/1909	Hessenauer	172/537
1,014,733	A *	1/1912	Wilson	172/176
1,023,139	A *	4/1912	Dunham	172/431
1,132,118	A	3/1915	Rasmussen	
1,144,897	A	6/1915	Gerlaugh	
1,302,146	A *	4/1919	Fetzer	172/537
1,328,171	A *	1/1920	Lehr	172/537
1,477,323	A	4/1921	Dennis	
1,418,780	A *	6/1922	Dewend	172/537
1,476,879	A *	12/1923	Dewend	172/537
1,604,567	A	10/1924	Dick et al.	

1,533,014	A *	4/1925	Lassagne	172/537
1,617,821	A *	2/1927	Ohlsen	172/154
1,621,295	A *	3/1927	Wagner	172/537
1,645,994	A	10/1927	Lloyd	
1,691,565	A *	11/1928	Dewend	172/537
1,769,601	A *	7/1930	Parker	172/537
D82,205	S	9/1930	Karl	
1,827,726	A	10/1931	Bissell	
1,857,753	A *	5/1932	Gausche	172/537
1,884,803	A	10/1932	Miller	
2,035,591	A *	3/1936	Childs	172/147
2,114,140	A	4/1938	Grundeman	
2,204,569	A	6/1940	Bushong	
2,526,158	A	10/1950	Renault	
2,796,712	A	6/1957	Miller et al.	
D188,500	S	8/1960	Swanson	
2,975,735	A	3/1961	Purvance	
D199,374	S *	10/1964	Choate	D9/683
3,547,204	A	12/1970	Urban	
D241,009	S *	8/1976	Brady et al.	D9/683
4,141,302	A	2/1979	Morrison, Jr. et al.	

(Continued)

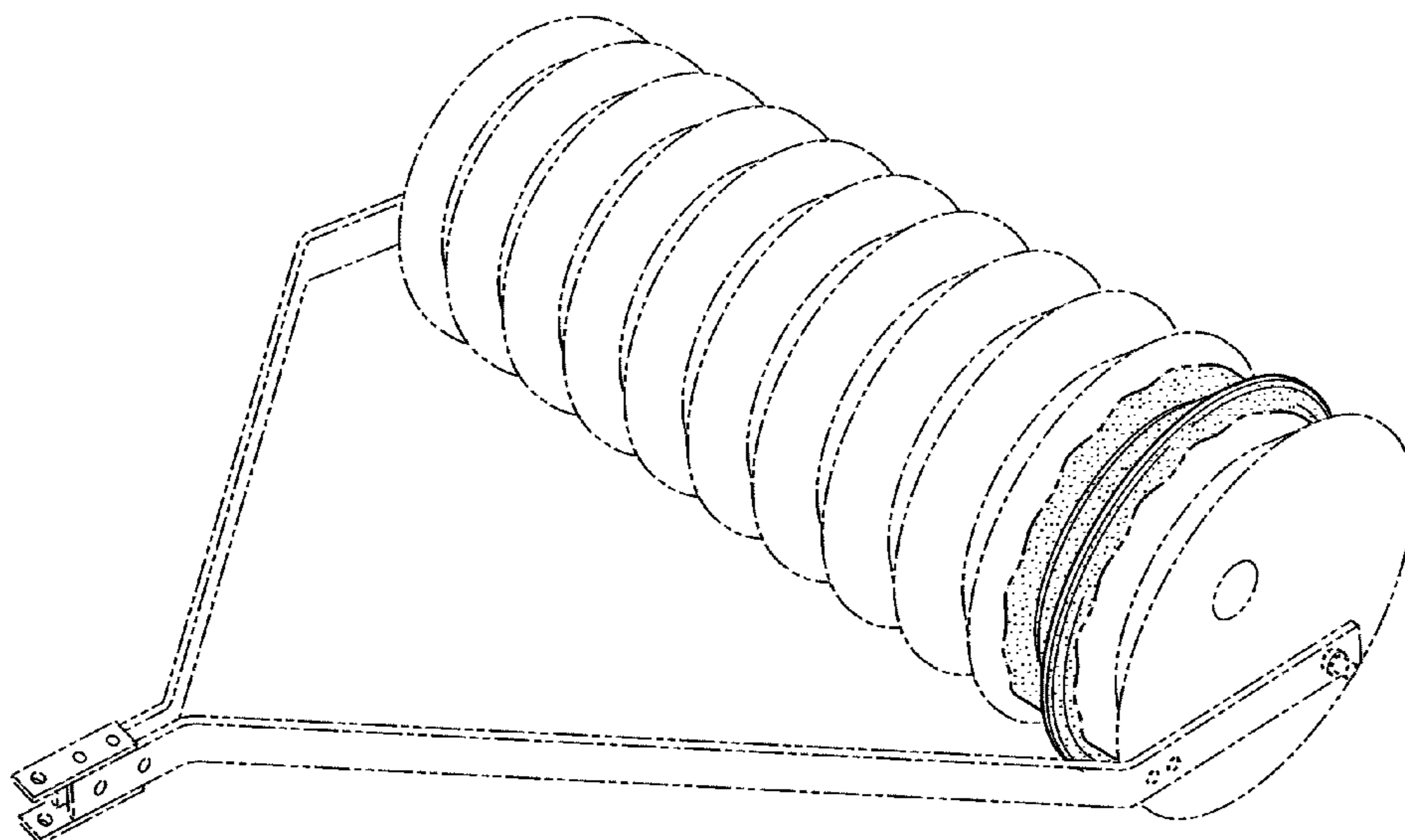
*Primary Examiner* — Mark Goodwin  
(74) *Attorney, Agent, or Firm* — Brooks Kushman P.C.

(57) **CLAIM**  
The ornamental design for a cultipacker, as shown and described.

**DESCRIPTION**

FIG. 1 is a perspective view of a cultipacker showing an embodiment of my new design;  
FIG. 2 is a top plan view thereof;  
FIG. 3 is a bottom plan view thereof;  
FIG. 4 is a front view thereof;  
FIG. 5 is a rear view thereof;  
FIG. 6 is a left side view thereof; and,  
FIG. 7 is a right side view thereof.  
The broken lines are for illustrative purposes only and form no part of the claimed design.

**1 Claim, 3 Drawing Sheets**



# US D644,667 S

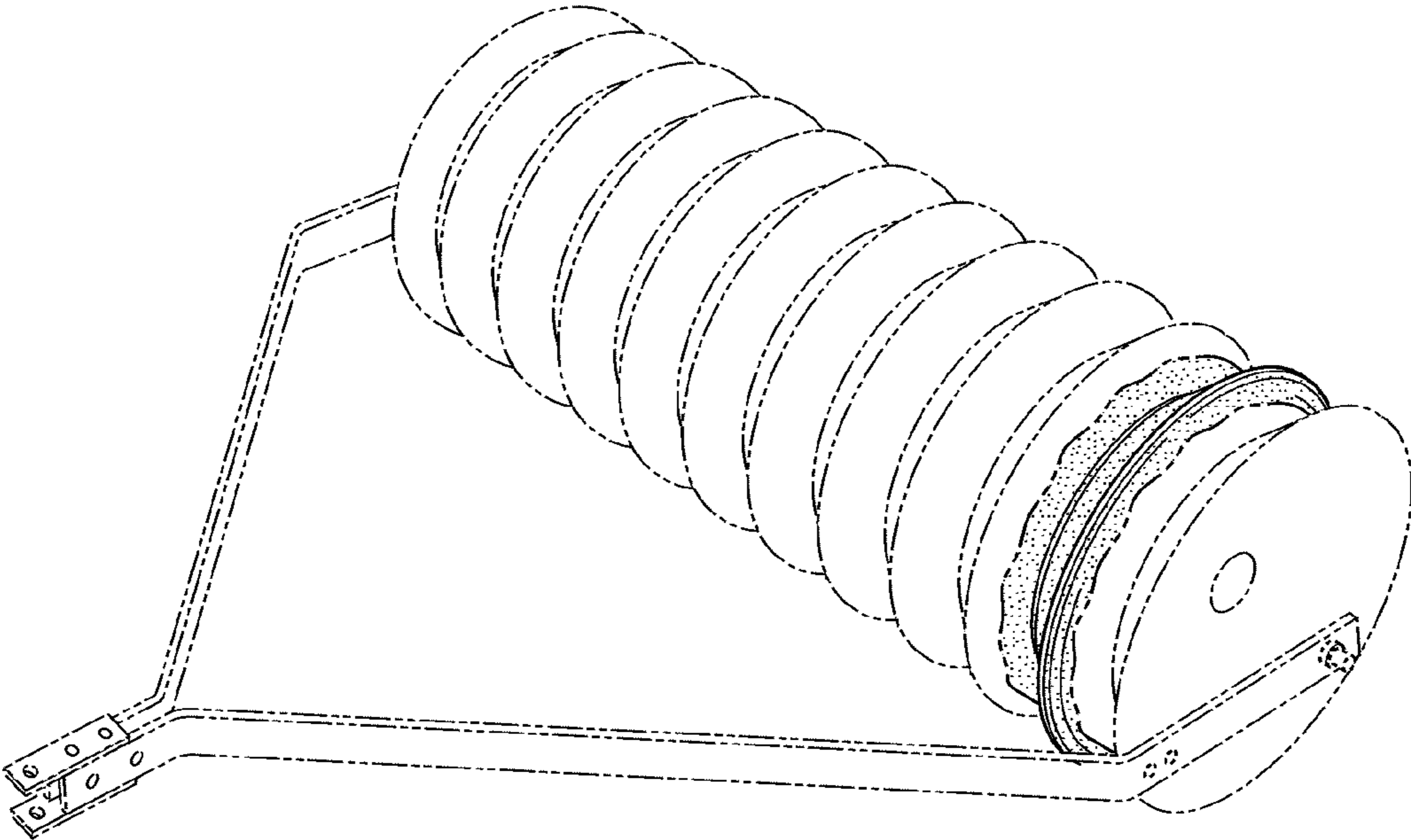
Page 2

---

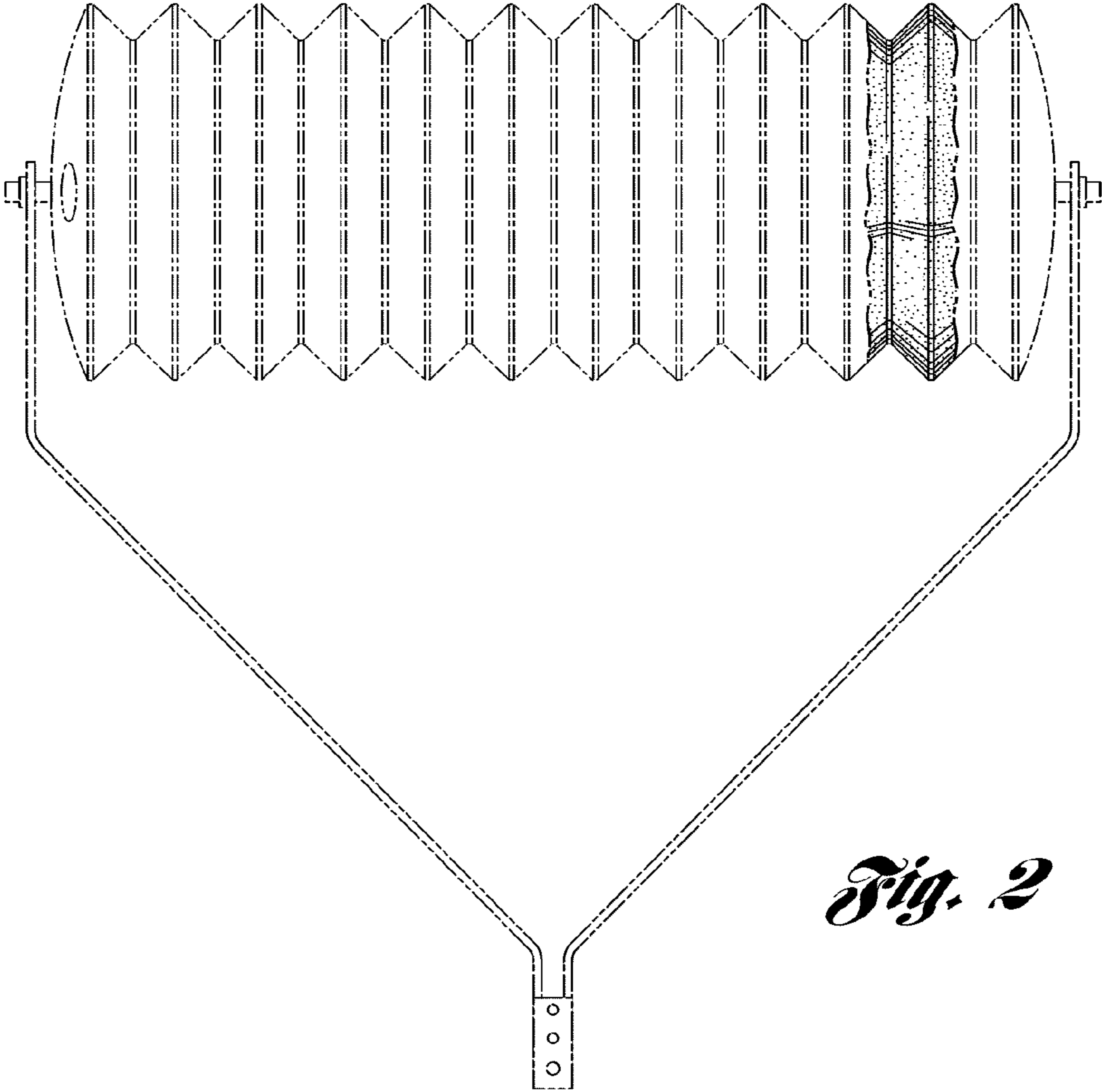
## U.S. PATENT DOCUMENTS

D307,850	S	*	5/1990	Aoki et al. ....	D7/624.2	D329,591	S	*	9/1992	Levy .....	D9/683
4,932,477	A		6/1990	Atwood		D370,388	S	*	6/1996	Cusick et al. ....	D7/512
5,005,844	A		4/1991	Douglas et al.		D398,838	S	*	9/1998	Nielsen .....	D9/683
D323,290	S	*	1/1992	Keedy, Jr. ....	D9/773	D429,630	S	*	8/2000	Knight et al. ....	D9/683

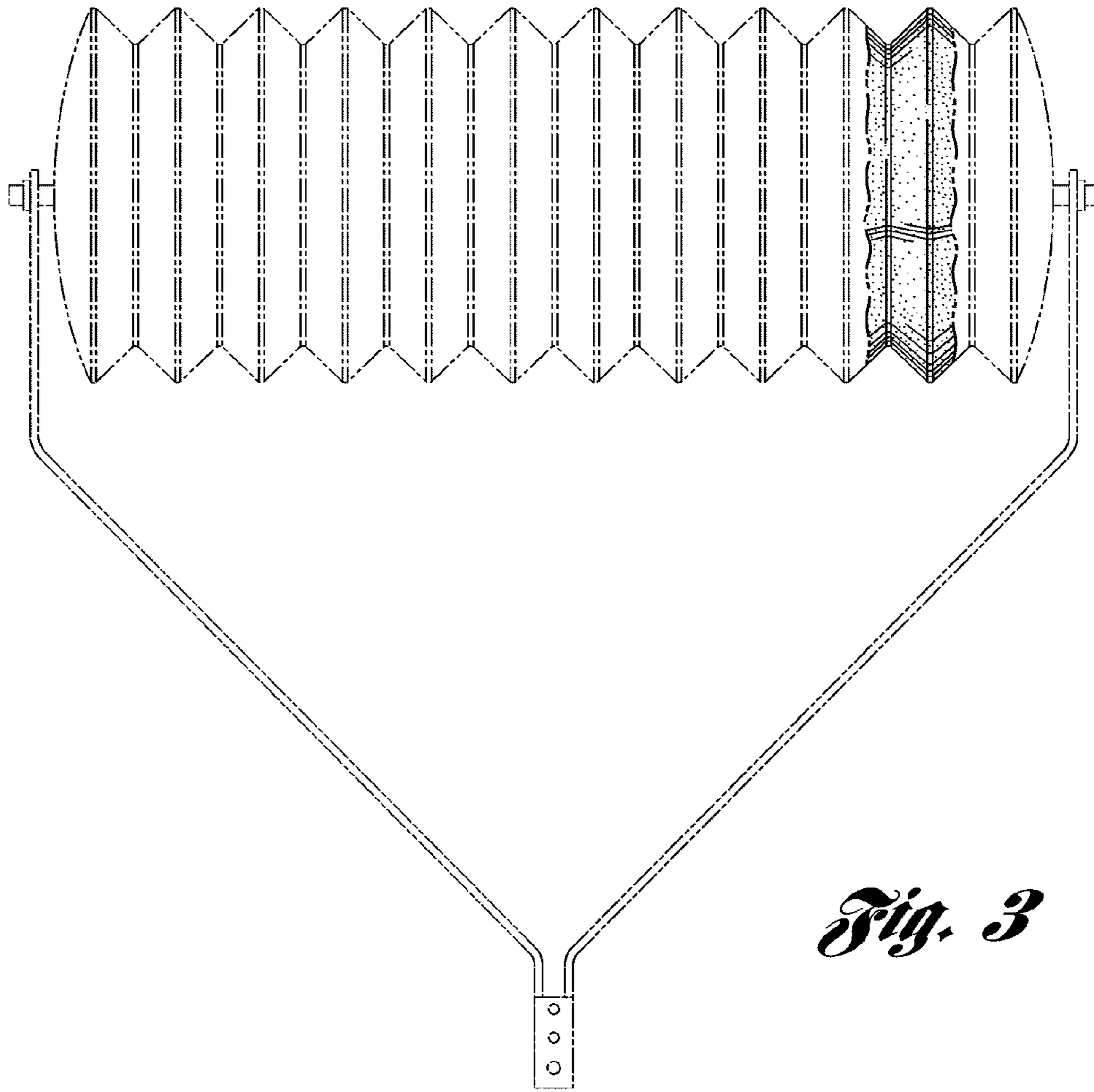
\* cited by examiner



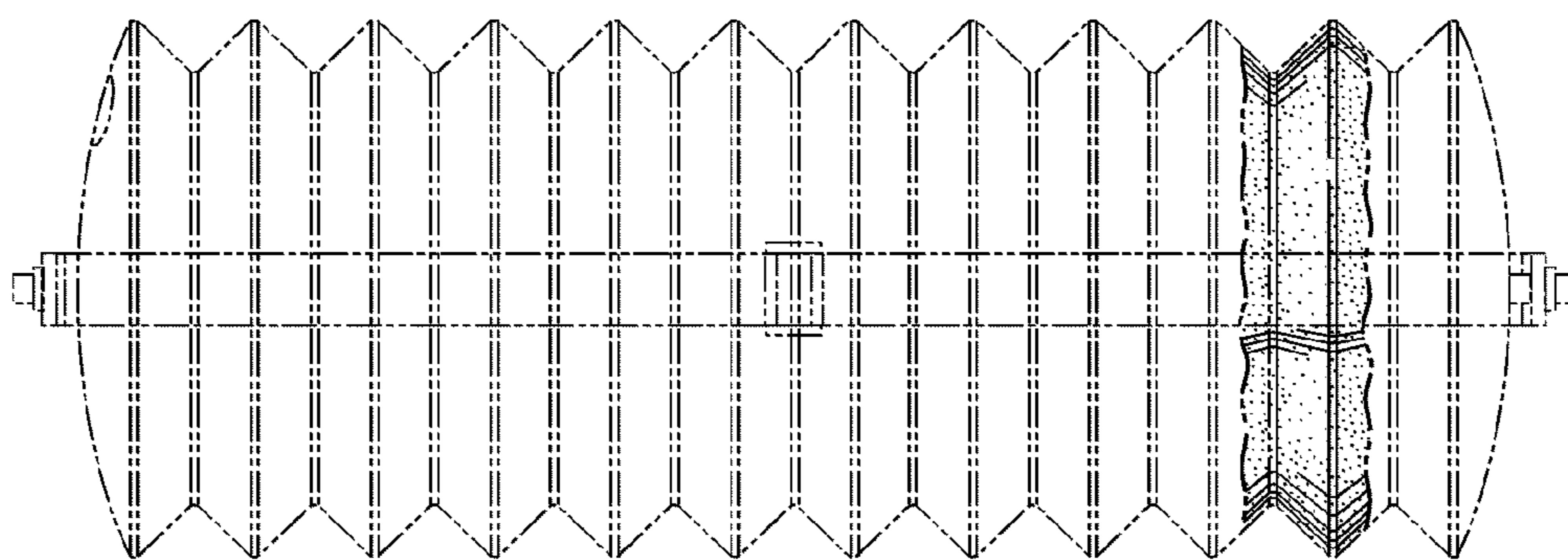
*Fig. 1*



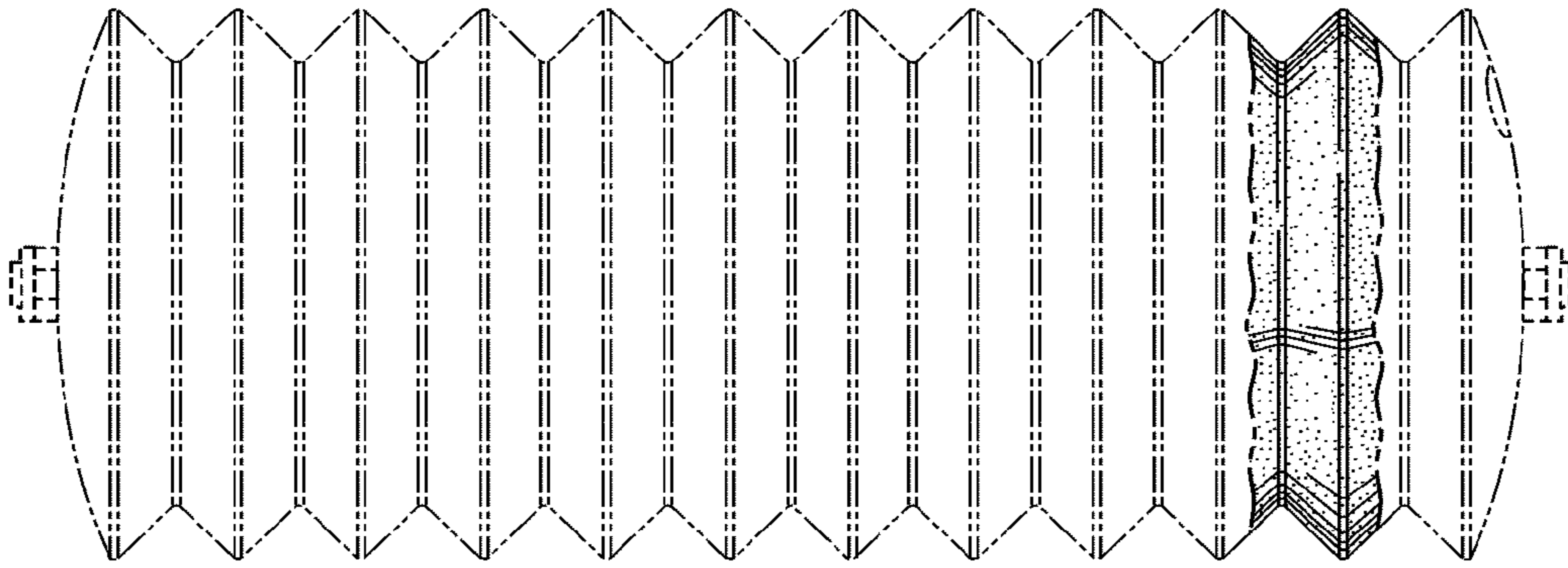
*Fig. 2*



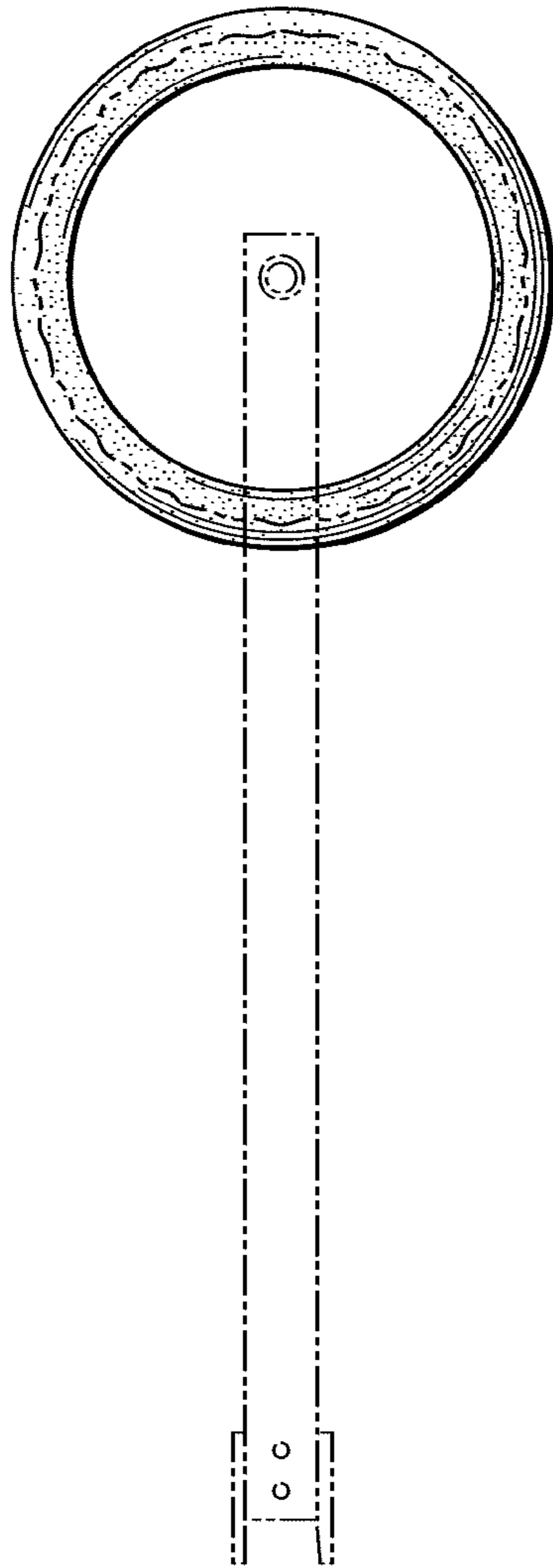
*Fig. 3*



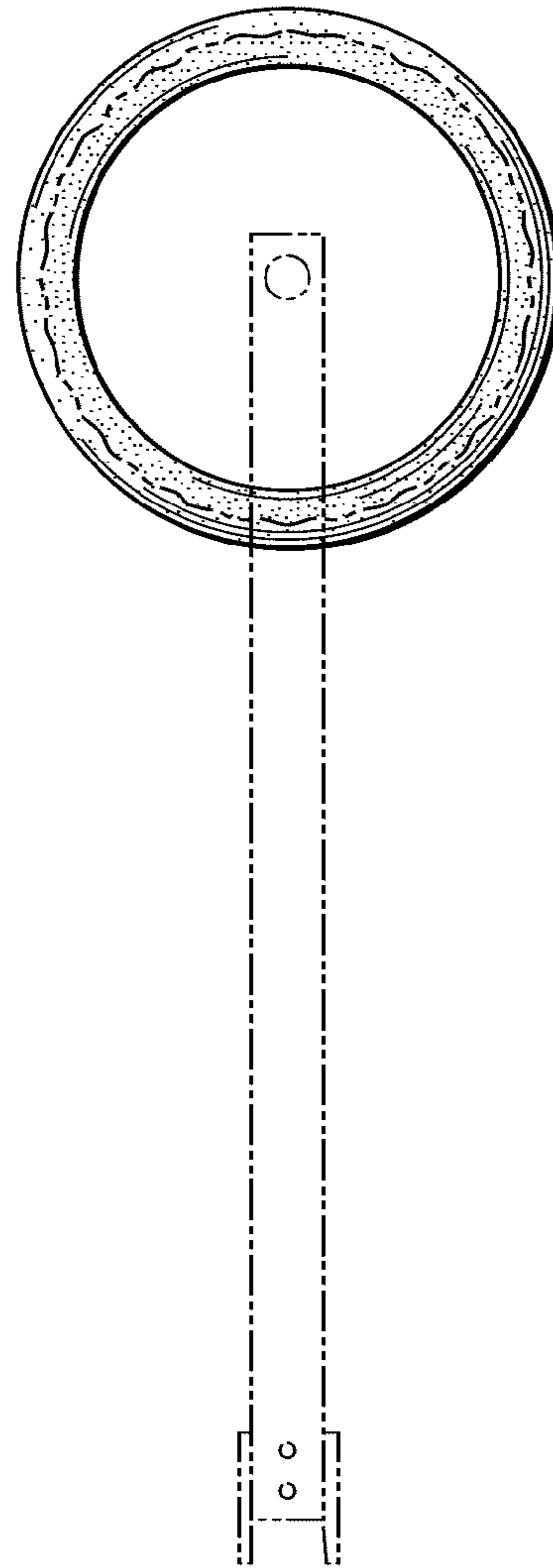
*Fig. 4*



*Fig. 5*



*Fig. 6*



*Fig. 7*