



US00D644665S

(12) **United States Design Patent**
Ishibashi et al.

(10) **Patent No.:** **US D644,665 S**

(45) **Date of Patent:** **** Sep. 6, 2011**

(54) **FLUID PRESSURE CYLINDER WITH TABLE**

D556,861 S * 12/2007 Yokohari D23/233
D556,862 S * 12/2007 Yokohari D23/233
D638,730 S * 5/2011 Ishibashi et al. D10/85

(75) Inventors: **Koichiro Ishibashi**, Tsukubamirai (JP);
Seiji Takanashi, Noda (JP); **Motohiro Sato**, Toride (JP); **Jiro Mandokoro**,
Moriya (JP); **Koji Hara**, Tsukubamirai
(JP); **Toshio Sato**, Tsukuba (JP)

FOREIGN PATENT DOCUMENTS

JP D1103730 1/2001
JP D926798/5 3/2001
JP D926798/6 3/2001

(73) Assignee: **SMC Kabushiki Kaisha**, Tokyo (JP)

OTHER PUBLICATIONS

U.S. Appl. No. 29/389,064; First Named Inventor: Koichiro
Ishibashi; Title: "Fluid Pressure Cylinder With Table"; filed Apr. 6,
2011.

(**) Term: **14 Years**

* cited by examiner

(21) Appl. No.: **29/389,052**

Primary Examiner — T. Chase Nelson
Assistant Examiner — Ania Dworzecka

(22) Filed: **Apr. 6, 2011**

(74) *Attorney, Agent, or Firm* — Holtz, Holtz, Goodman &
Chick, PC

(30) **Foreign Application Priority Data**

Oct. 7, 2010 (JP) 2010-024091

(51) **LOC (9) Cl.** **15-01**

(52) **U.S. Cl.** **D15/5**

(58) **Field of Classification Search** D15/1-7,
D15/143; D23/233; D10/85; 384/12, 15,
384/45, 100

See application file for complete search history.

(57) **CLAIM**

The ornamental design for a fluid pressure cylinder with
table, as shown.

(56) **References Cited**

U.S. PATENT DOCUMENTS

D444,795 S * 7/2001 Wakasugi et al. D15/7
D461,733 S * 8/2002 Iida D10/85
D530,730 S * 10/2006 Sato et al. D15/143
D542,682 S * 5/2007 Waki D10/85

DESCRIPTION

FIG. 1 is a front, top and right-side perspective view of a fluid
pressure cylinder with table showing our new design;
FIG. 2 is a front view thereof;
FIG. 3 is a rear view thereof;
FIG. 4 is a top plan view thereof;
FIG. 5 is a bottom plan view thereof;
FIG. 6 is a left side view thereof; and,
FIG. 7 is a right side view thereof.

1 Claim, 7 Drawing Sheets

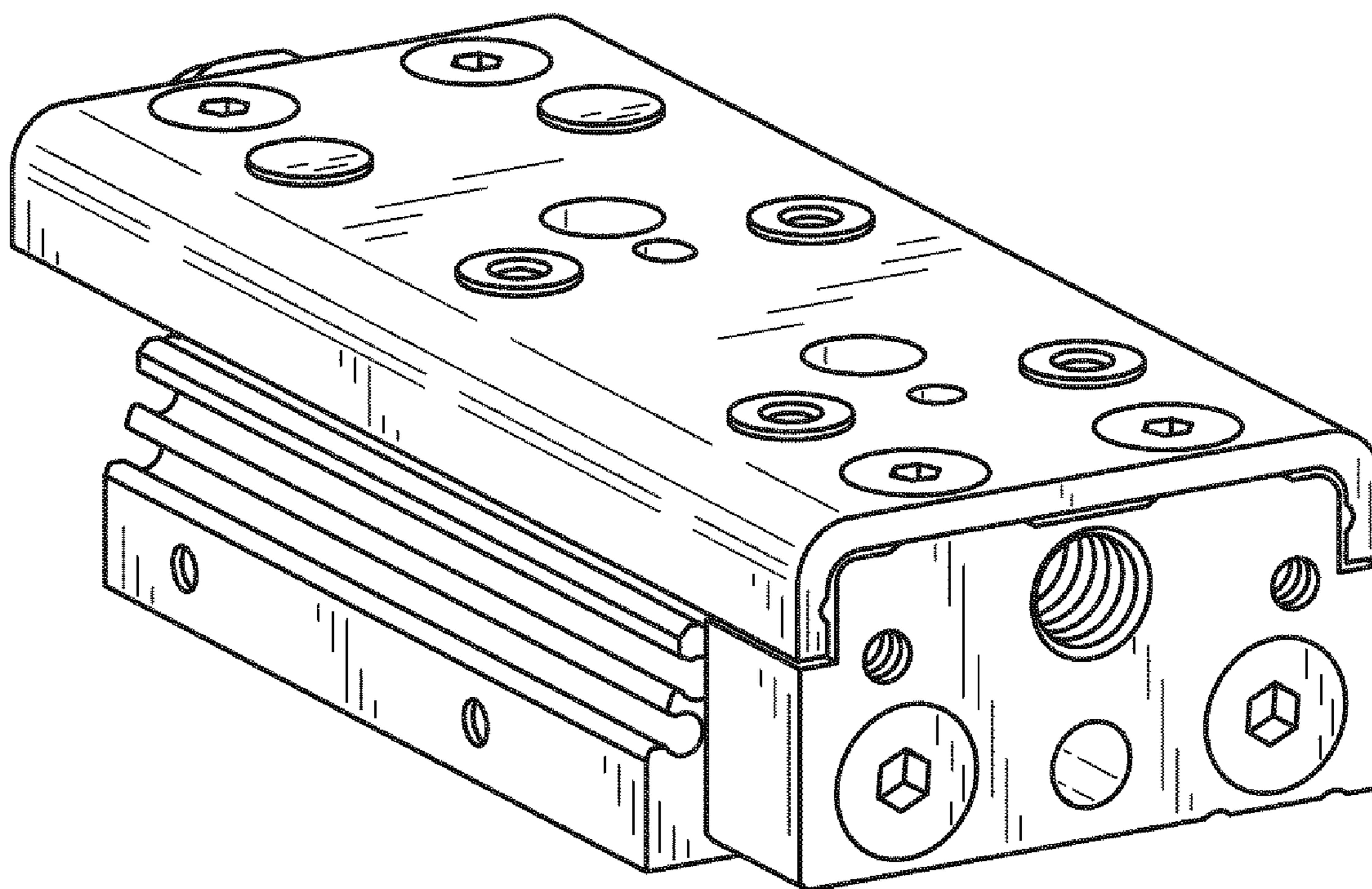


FIG. 1

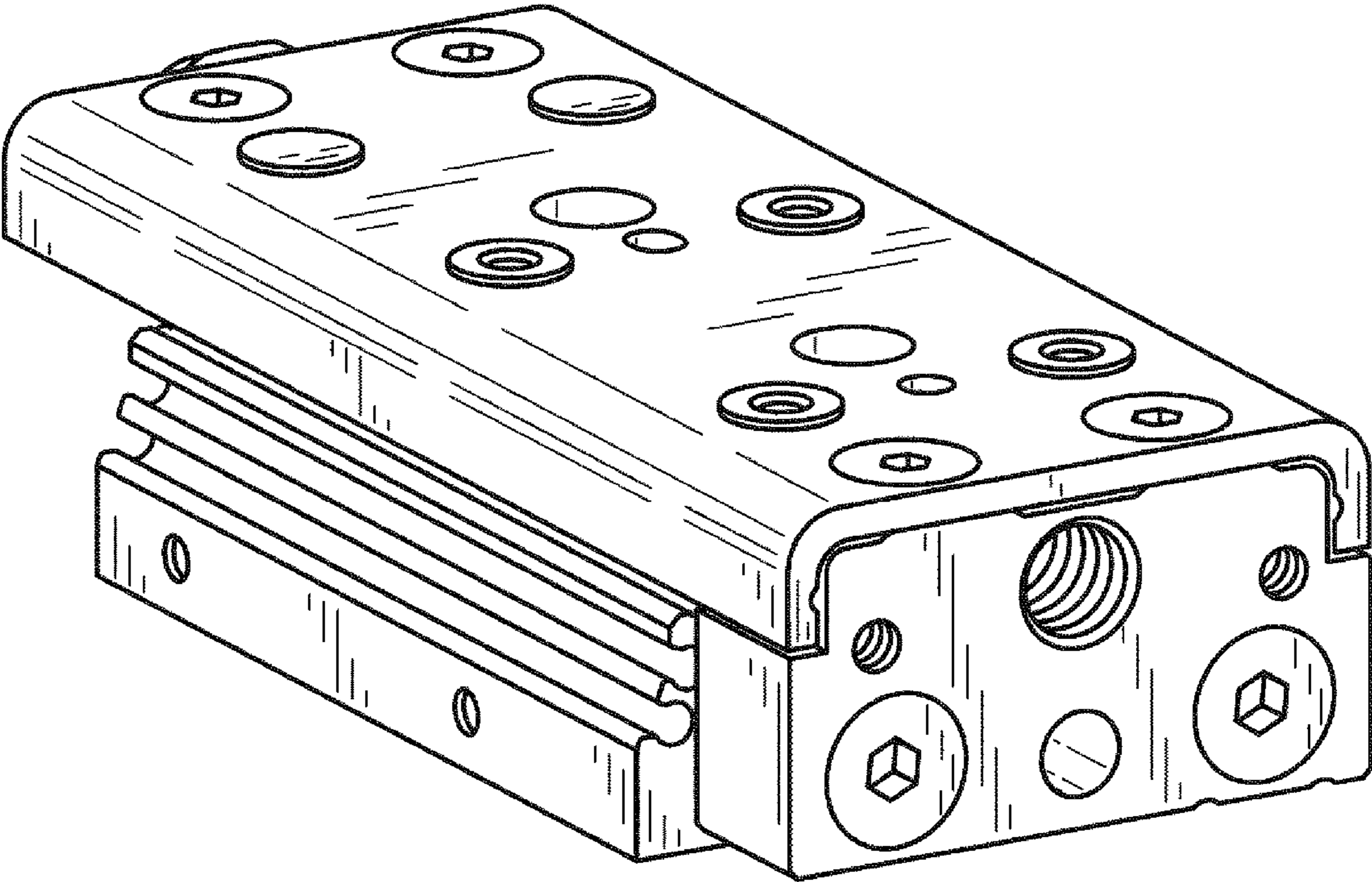


FIG. 2

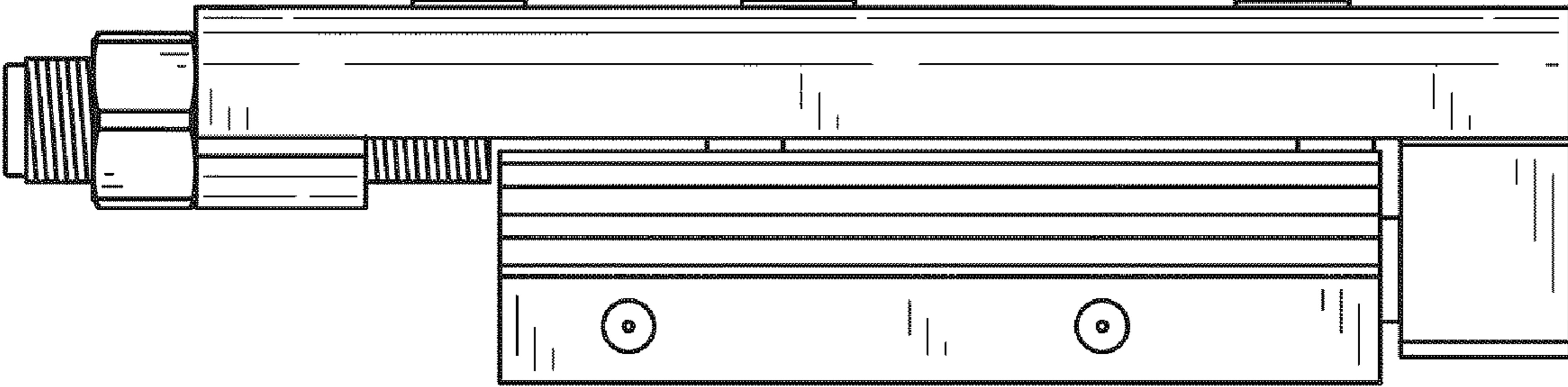


FIG. 3

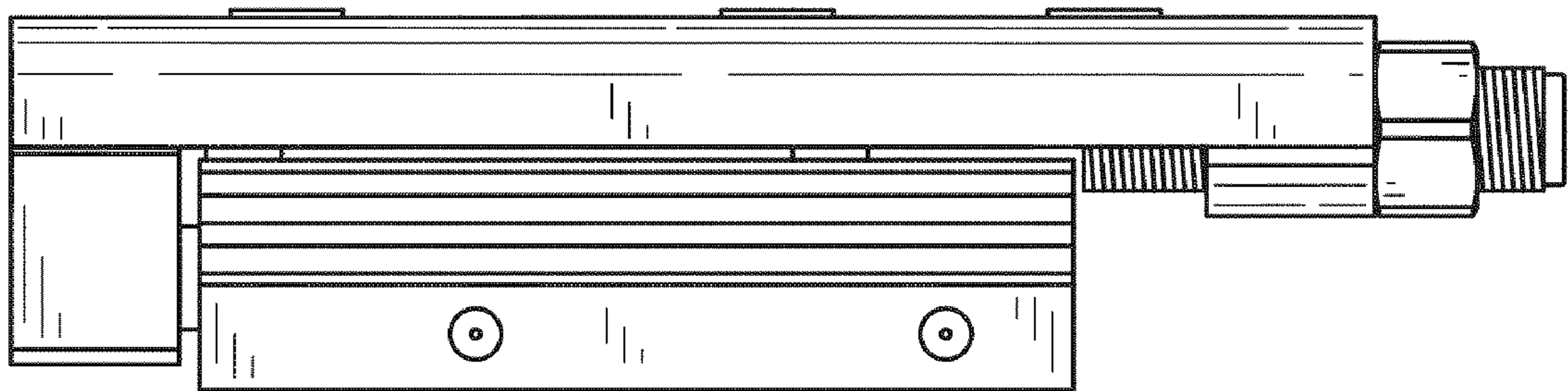


FIG. 4

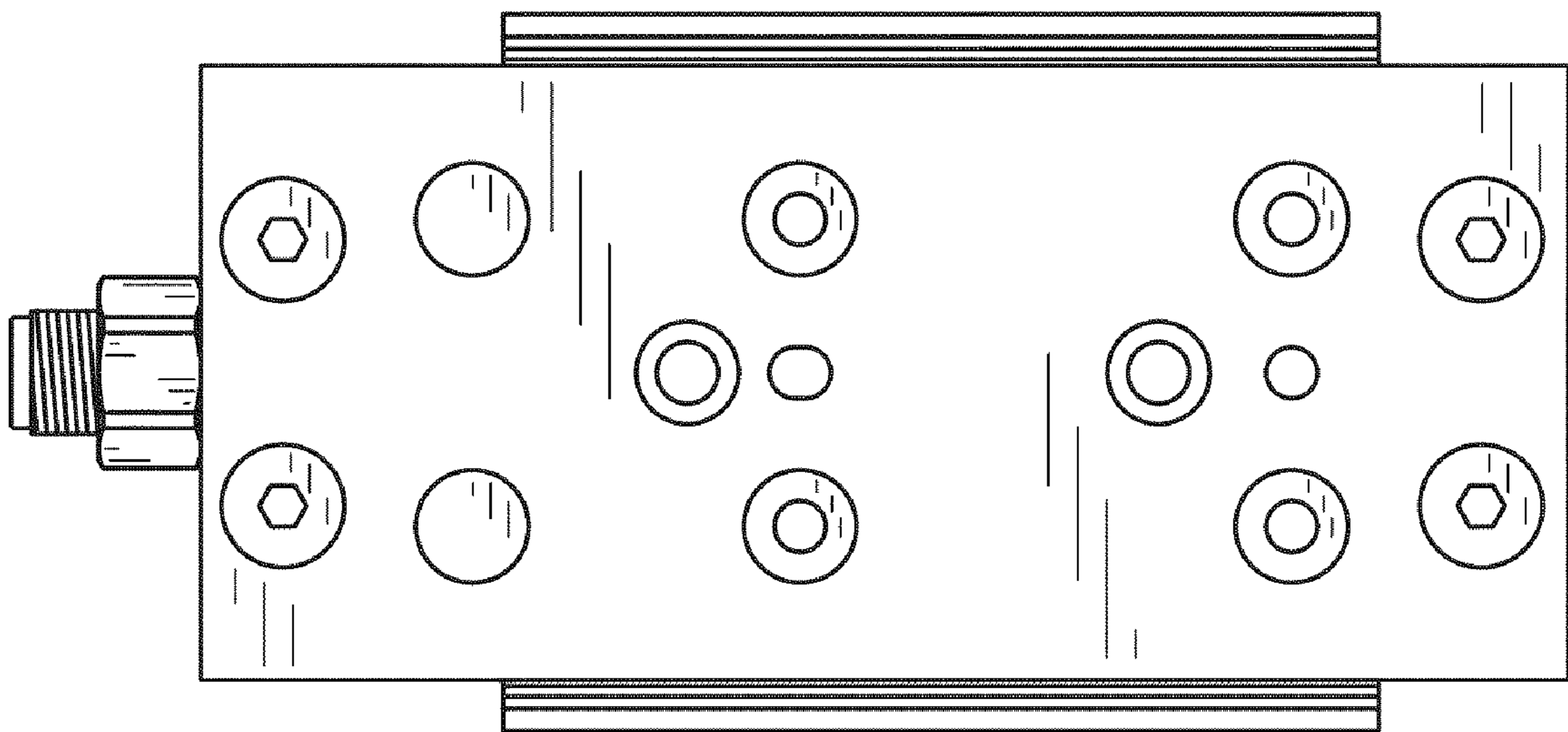


FIG. 5

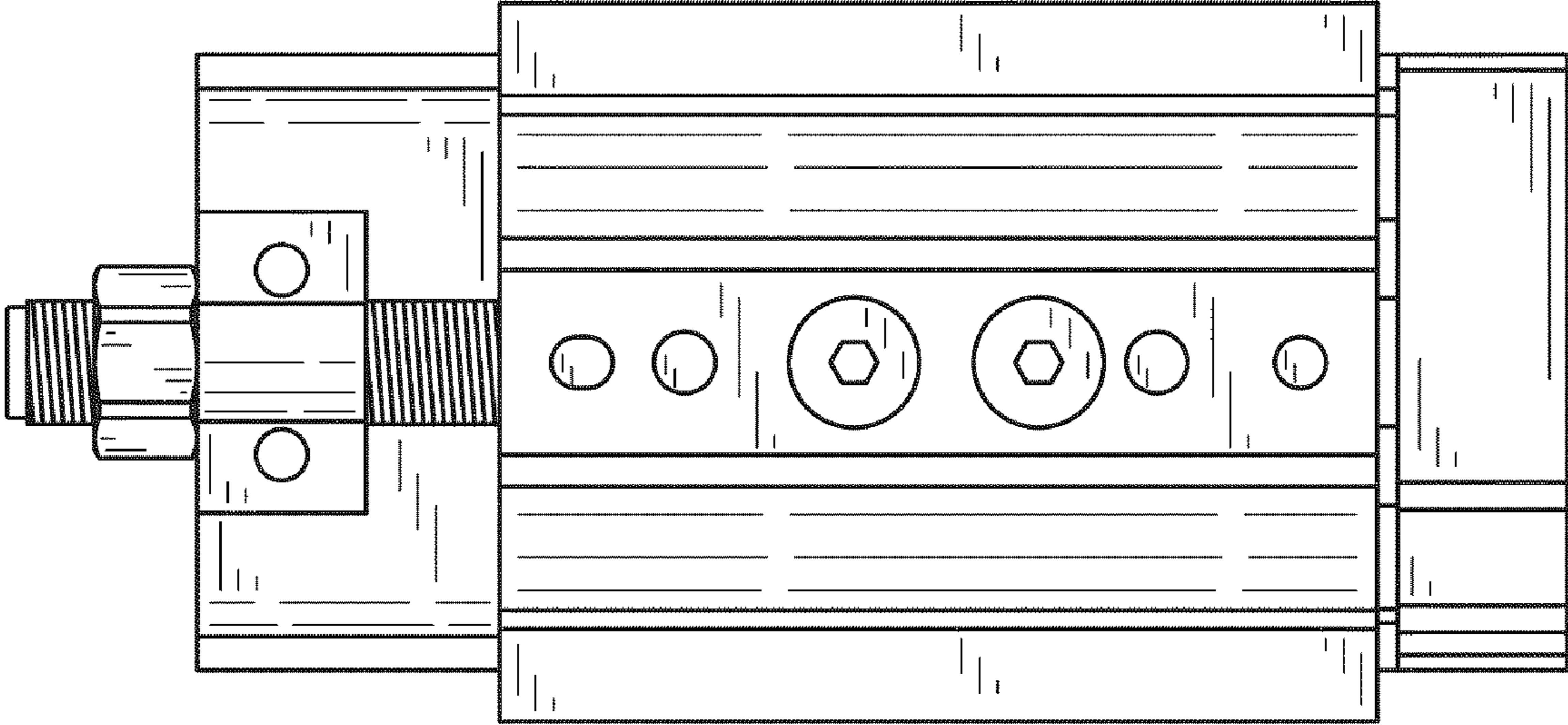


FIG. 6

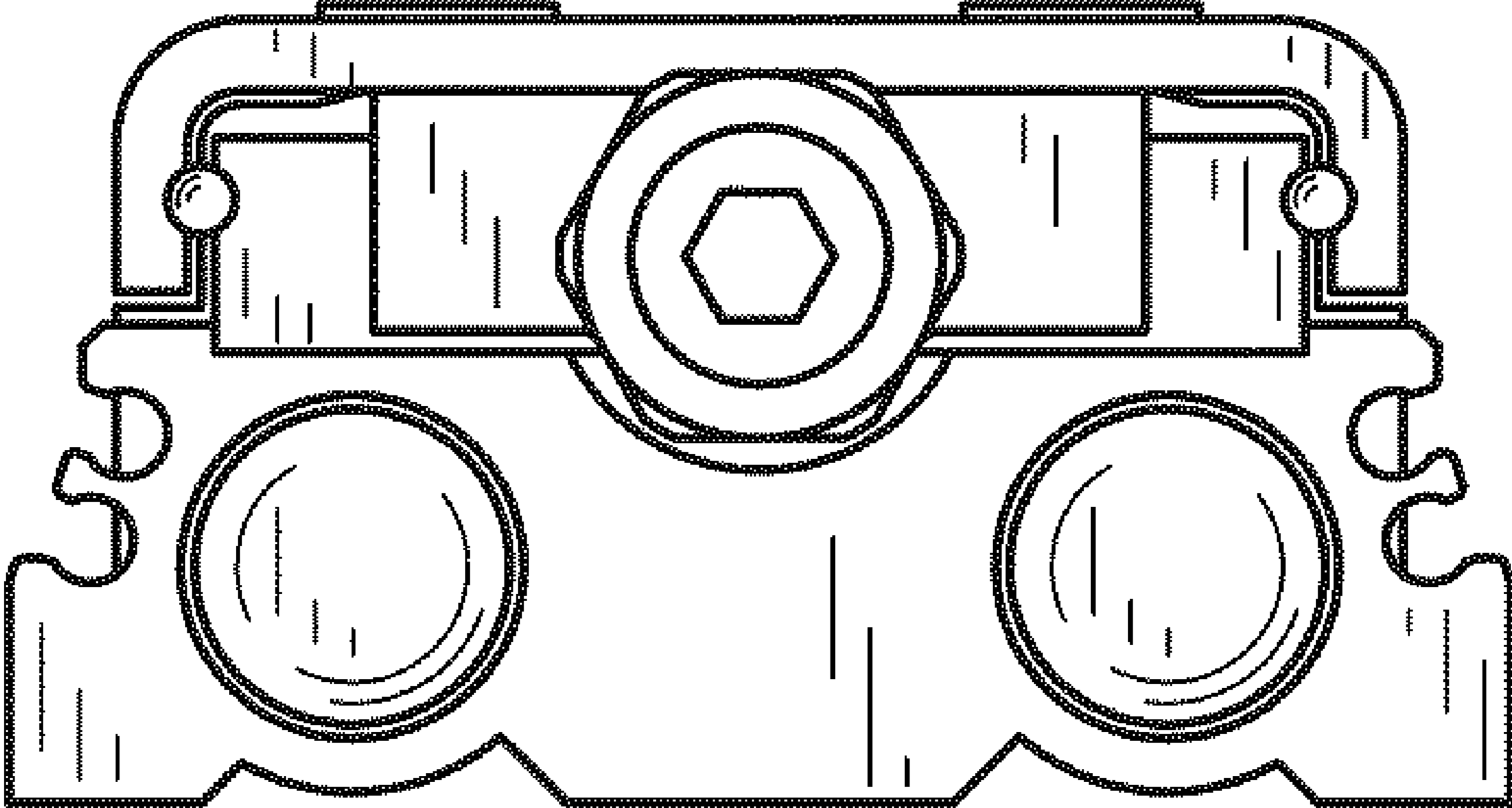


FIG. 7

