



US00D644664S

(12) **United States Design Patent**
Sugiyama et al.

(10) **Patent No.:** **US D644,664 S**

(45) **Date of Patent:** **** Sep. 6, 2011**

(54) **INTERNAL COMBUSTION ENGINE**

(75) Inventors: **Masaaki Sugiyama**, Kawagoe (JP); **Ryo Ono**, Kawagoe (JP); **Takashi Nakamura**, Kawagoe (JP); **Kiyoshi Anbo**, Higashiyamato (JP)

(73) Assignee: **Husqvarna Zenoah Co., Ltd.**,
Saitama-Ken (JP)

(**) Term: **14 Years**

(21) Appl. No.: **29/380,988**

(22) Filed: **Dec. 14, 2010**

(30) **Foreign Application Priority Data**

Jun. 28, 2010 (JP) 2010-015714

(51) **LOC (9) Cl.** **15-01**

(52) **U.S. Cl.** **D15/1**

(58) **Field of Classification Search** D15/1,
D15/2, 3, 5, 6, 14, 17, 149; 123/22, 41.34,
123/51 A, 606 R, 52.1, 50 A, 50 B, 54.1,
123/54.2, 54.4, 54.5, 65 R, 195 R, 195 HC,
123/657, 311

See application file for complete search history.

(56) **References Cited**

U.S. PATENT DOCUMENTS

D361,336 S 8/1995 Tinius
D416,265 S 11/1999 Kato et al.
D453,522 S * 2/2002 Maeda et al. D15/1

D470,507 S * 2/2003 Maeda et al. D15/1
D503,410 S * 3/2005 Kato D15/1
D521,528 S 5/2006 Kamijo et al.
D525,990 S 8/2006 Ono et al.
D589,056 S 3/2009 Matsuoka et al.
D599,822 S 9/2009 Okuda
D600,515 S * 9/2009 Tinius D8/8
D600,516 S * 9/2009 Tinius D8/8

* cited by examiner

Primary Examiner — T. Chase Nelson

Assistant Examiner — Ania Dworzecka

(74) *Attorney, Agent, or Firm* — Fish & Richardson P.C.

(57) **CLAIM**

The ornamental design for an internal combustion engine, as shown and described.

DESCRIPTION

FIG. 1 is a front perspective view of an internal combustion engine showing our new design;
FIG. 2 is a rear perspective view thereof;
FIG. 3 is a front view thereof;
FIG. 4 is a rear view thereof;
FIG. 5 is a top plan view thereof;
FIG. 6 is a bottom plan view thereof;
FIG. 7 is a right side view thereof; and,
FIG. 8 is a left side view thereof.
Portions of the internal engine shown in broken lines form no part of the claimed design.

1 Claim, 8 Drawing Sheets

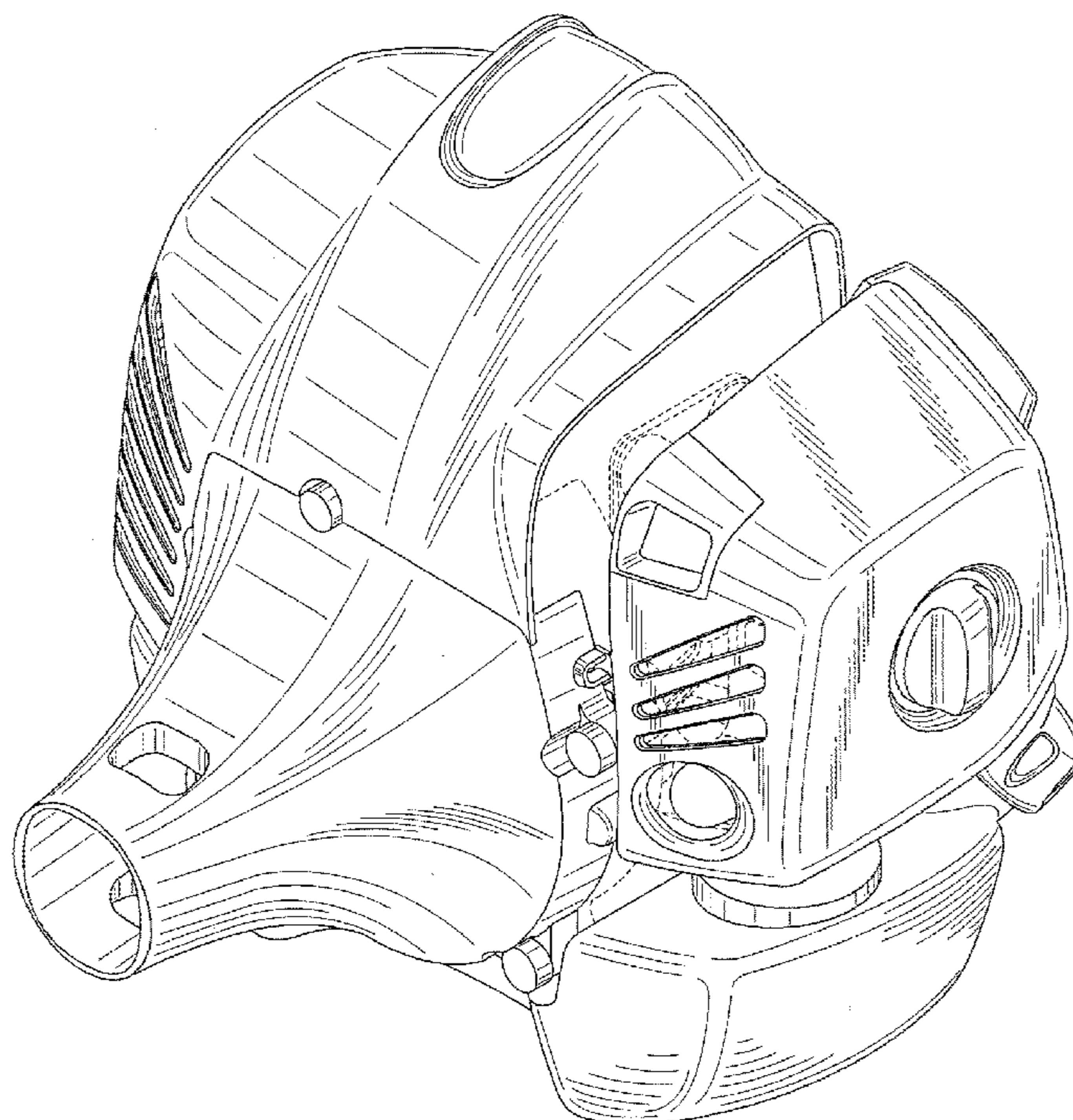


FIG. 1

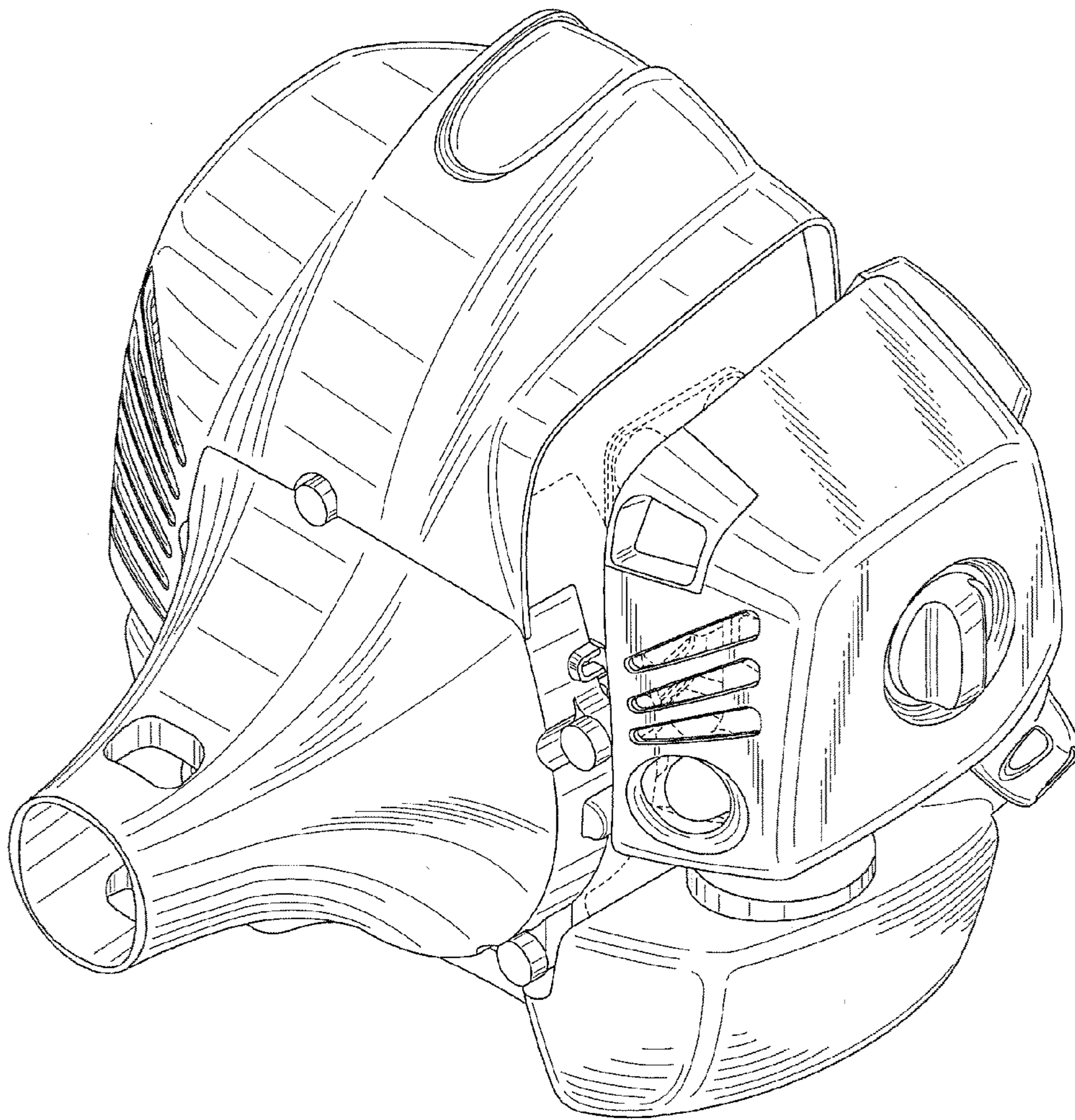


FIG. 2

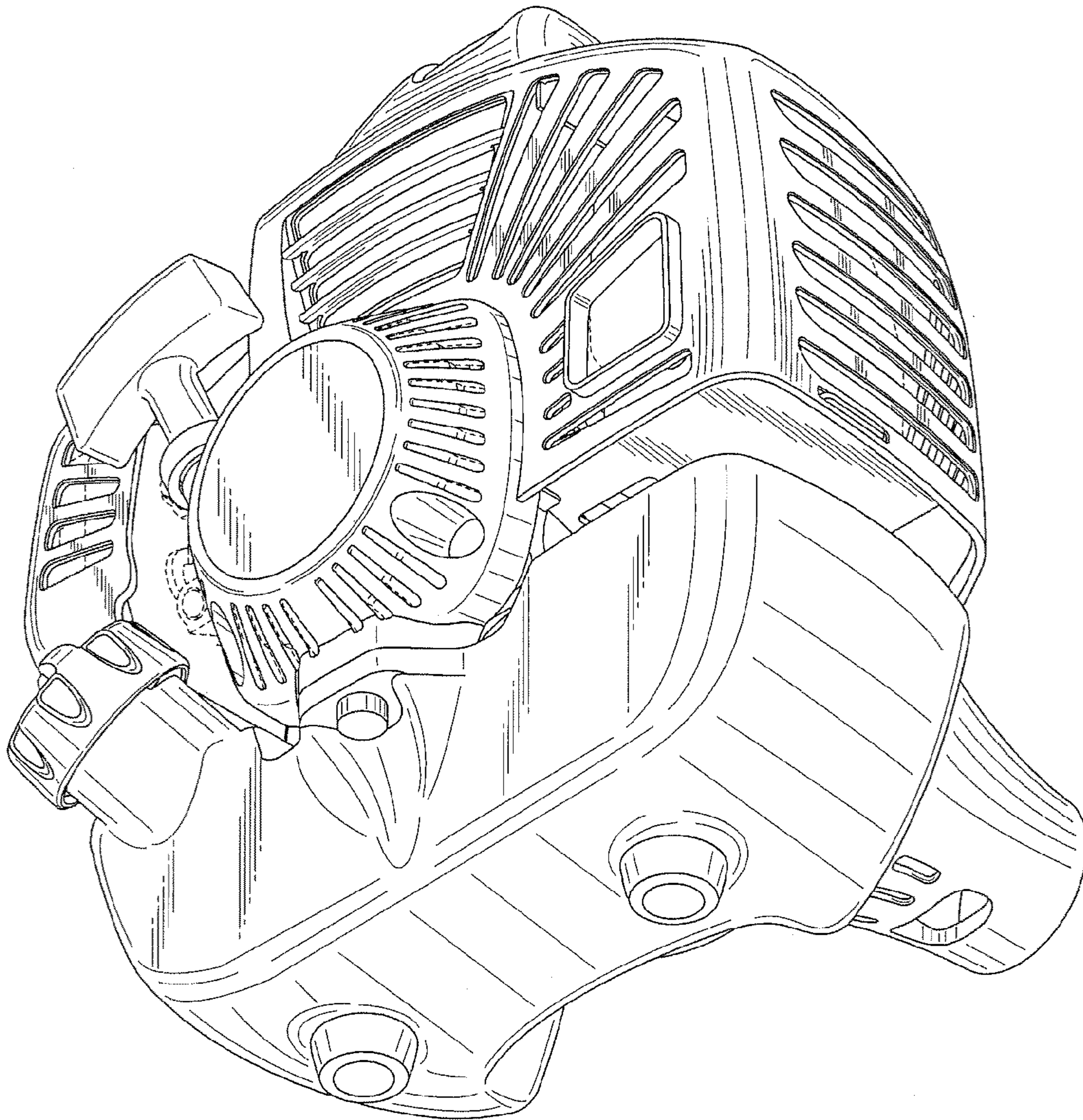


FIG. 3

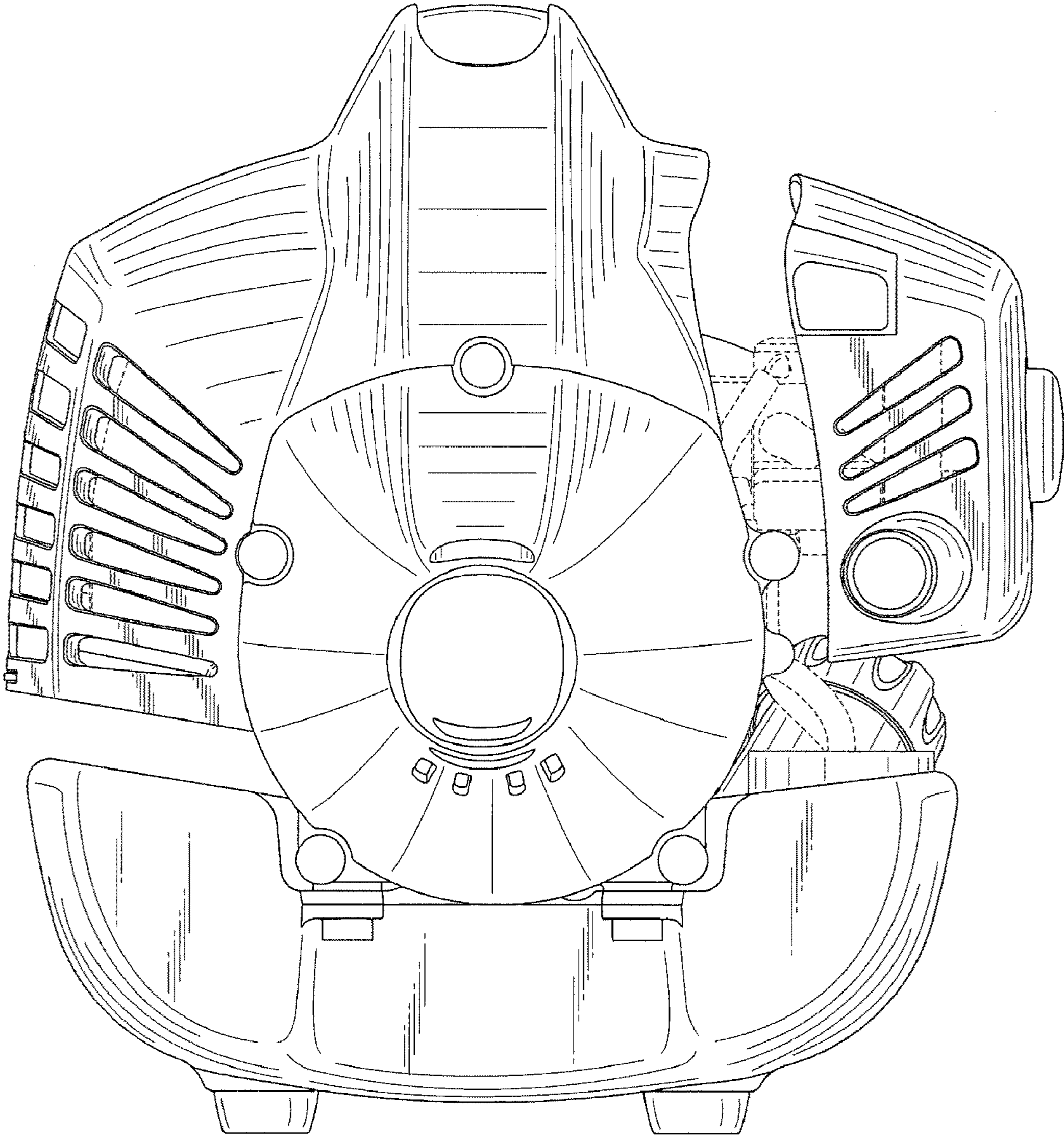


FIG. 4

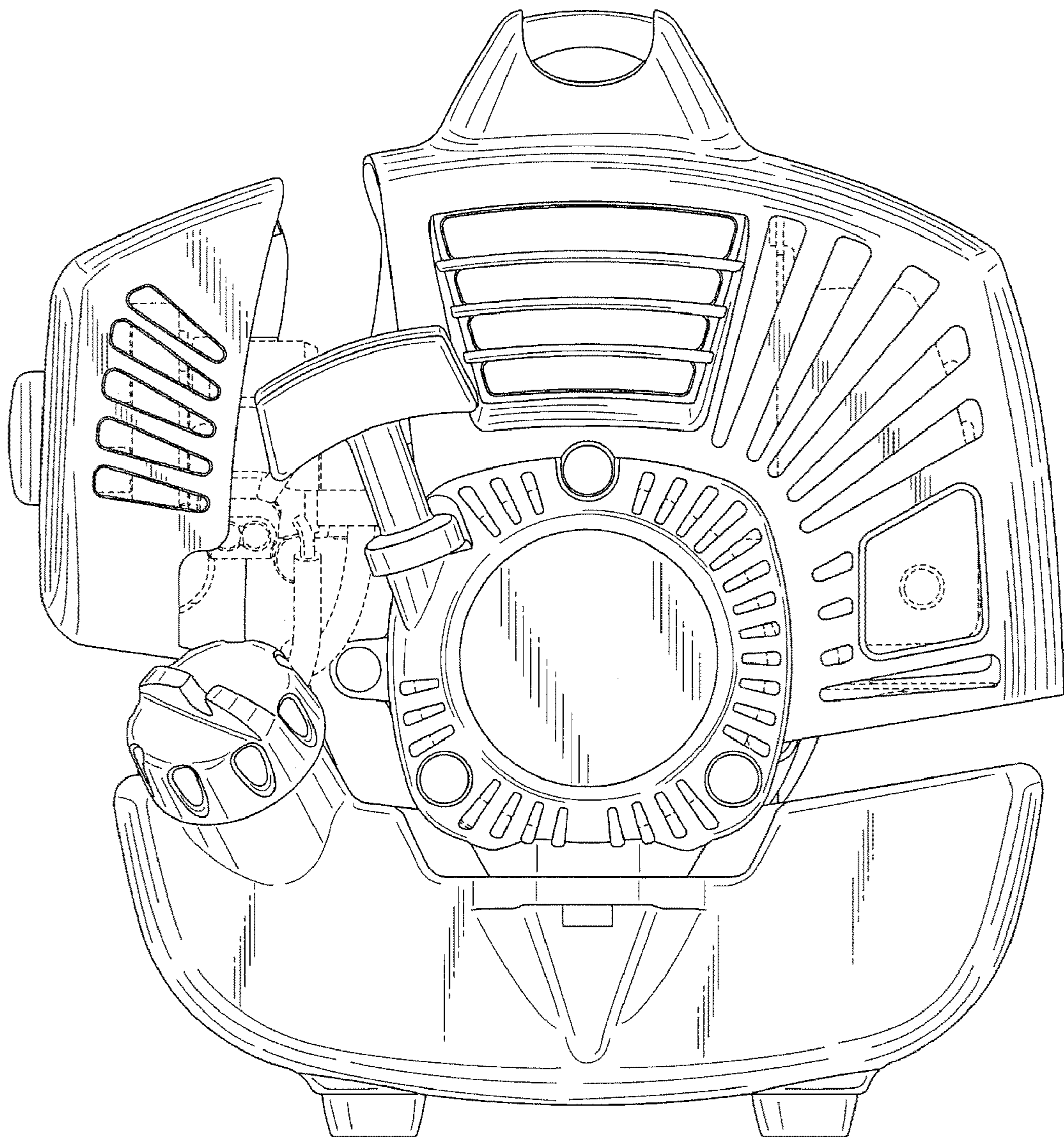


FIG. 5

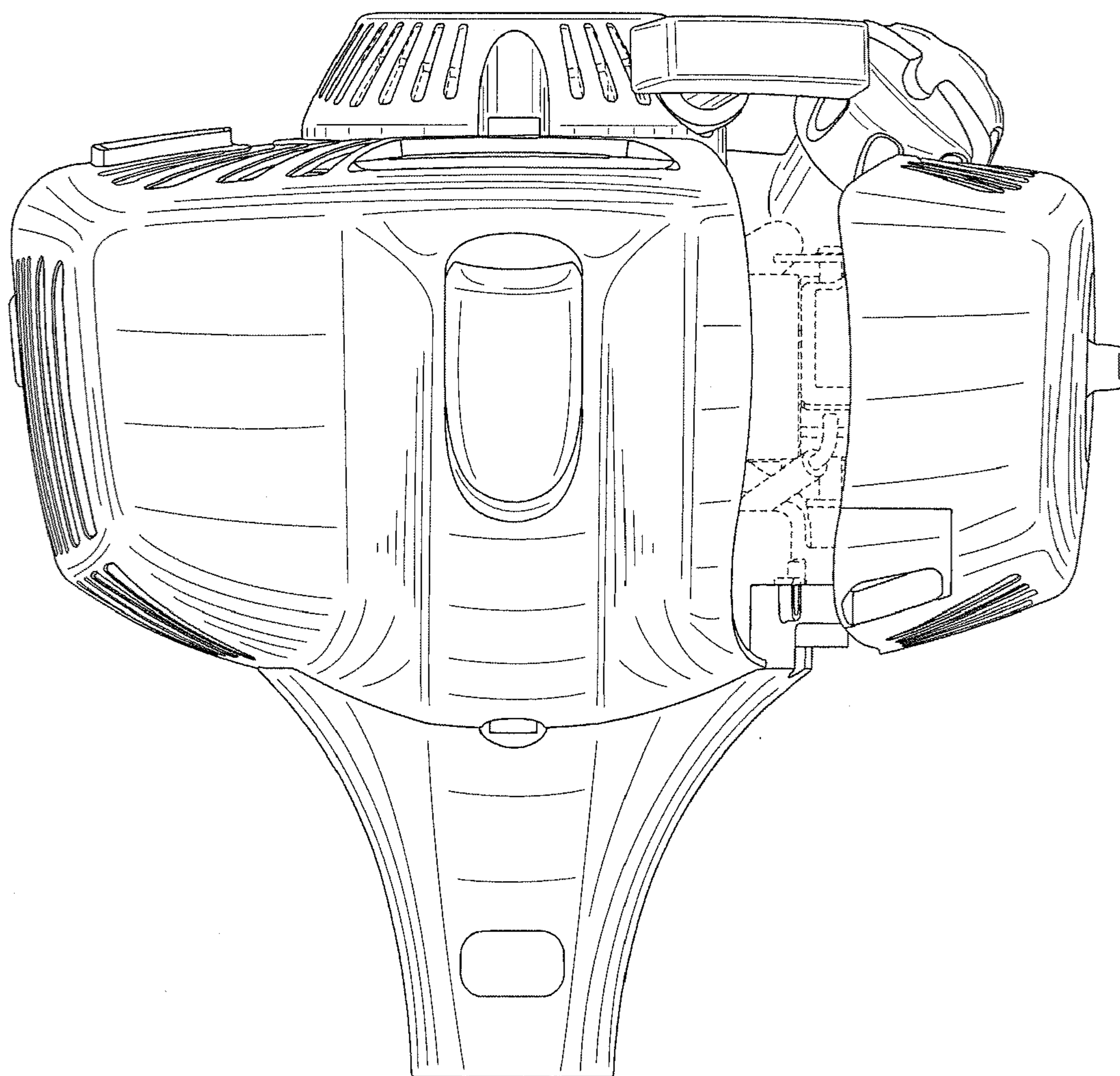


FIG. 6

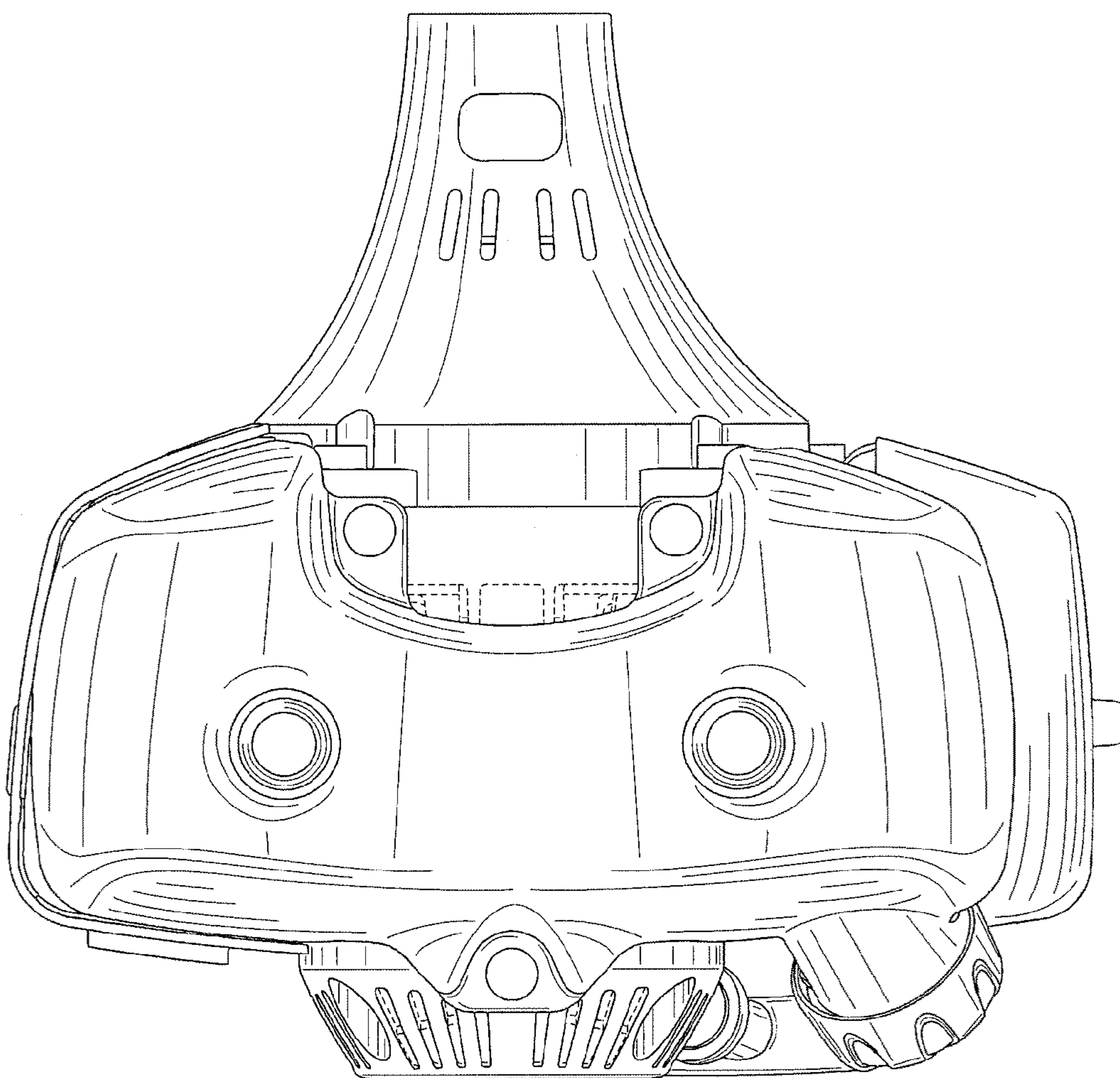


FIG. 7

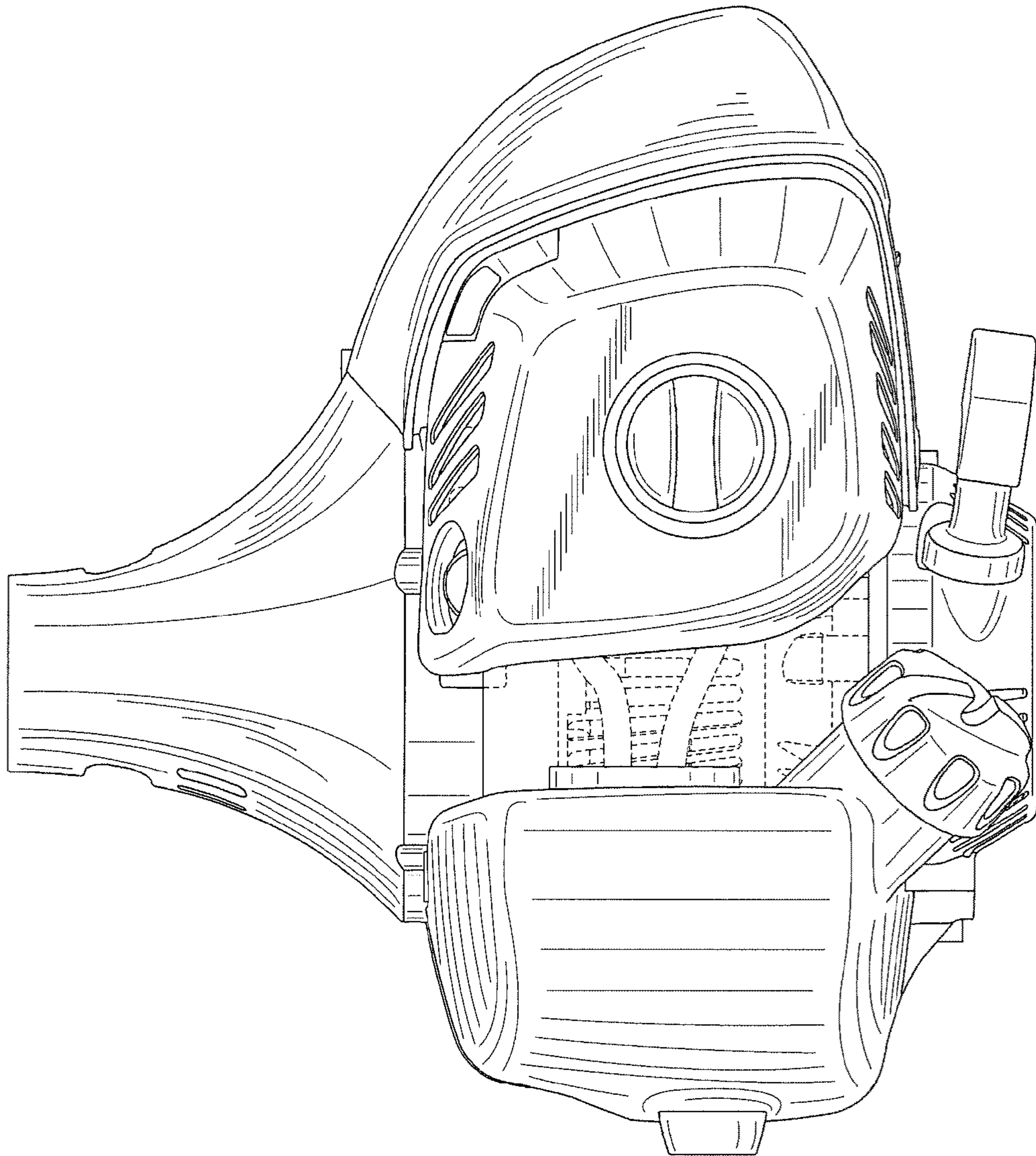


FIG. 8

