



US00D644648S

(12) **United States Design Patent**
Anderson et al.

(10) **Patent No.:** **US D644,648 S**

(45) **Date of Patent:** **** Sep. 6, 2011**

(54) **TILT-SWIVEL MOUNTING ARM**
(75) Inventors: **Glenn E. Anderson**, Malvern, PA (US);
Andrew Douglas Johnson, Wilmington,
DE (US); **David Arnold White**,
Landenberg, PA (US)

(73) Assignee: **Southco, Inc.**, Concordville, PA (US)

(**) Term: **14 Years**

(21) Appl. No.: **29/334,389**

(22) Filed: **Mar. 25, 2009**

(51) **LOC (9) Cl.** **08-07**

(52) **U.S. Cl.** **D14/452**

(58) **Field of Classification Search** D14/447,
D14/451, 452, 239, 432, 434, 439, 448, 457,
D14/251, 253, 224, 224.1, 126, 127, 371,
D14/373, 374, 375; D8/363, 373, 380; 248/917,
248/918, 919, 920, 921, 922, 923, 924, 441.1,
248/460, 122.1, 125.7, 371, 176.1, 176.3,
248/222.52, 276.1, 324; 361/679.06, 679.04,
361/679.21, 679.22, 679.56

See application file for complete search history.

(56) **References Cited**

U.S. PATENT DOCUMENTS

D202,817	S	*	11/1965	Goda	D8/355
D462,969	S	*	9/2002	Scharer et al.	D14/447
D488,708	S		4/2004	Lam et al.		
D489,599	S		5/2004	Lam		
D505,858	S		6/2005	O'Keene		
6,915,995	B2		7/2005	Gillespie		
7,028,961	B1		4/2006	Dittmer et al.		
D537,706	S		3/2007	Ly Hau et al.		
D538,633	S		3/2007	Ly Hau et al.		
D539,123	S		3/2007	Ly Hau et al.		
D539,127	S		3/2007	Ly Hau et al.		
D543,210	S		5/2007	Stenhouse et al.		
D543,547	S		5/2007	Muday et al.		
D543,548	S		5/2007	Muday et al.		

D558,562	S	*	1/2008	Ciungan et al.	D8/363
D559,087	S	*	1/2008	Ciungan	D8/363
D569,381	S	*	5/2008	Sculler et al.	D14/452
D577,730	S	*	9/2008	Rutten	D14/452
D623,654	S	*	9/2010	Hau et al.	D14/452
2004/0262474	A1	*	12/2004	Boks et al.	248/276.1
2008/0029669	A1	*	2/2008	Olah et al.	248/276.1

OTHER PUBLICATIONS

Engineering Drawing for Southco Part No. CT-99-4333, dated May 15, 2008, manufactured by Southco.

Presentation by Design Design, Inc., Oct. 17, 2008, pp. 1 and 6.

Omnimount product brochure, part # 63HDARM-UA, part # 54HDARM, part # 54HDARMUA, part # 63HDARM, part # 63HDARMUA, 3 pages, 2005. (obtained from www.omnimount.com on or prior to Mar. 13, 2006).

Peerless product brochure, models PLA 2 and PLA 2S, 2 pages, 2003. (obtained from www.peerlessindustries.com on or prior to Mar. 13, 2006).

(Continued)

Primary Examiner — Angela J Lee

(74) *Attorney, Agent, or Firm* — Paul & Paul

(57) **CLAIM**

The ornamental design for a tilt-swivel mounting arm, as shown and described.

DESCRIPTION

FIG. 1 is a top plan view of a tilt-swivel mounting arm showing our design;

FIG. 2 is a bottom plan view thereof;

FIG. 3 is a right side elevational view thereof;

FIG. 4 is a left side elevational view thereof;

FIG. 5 is a front elevational view thereof;

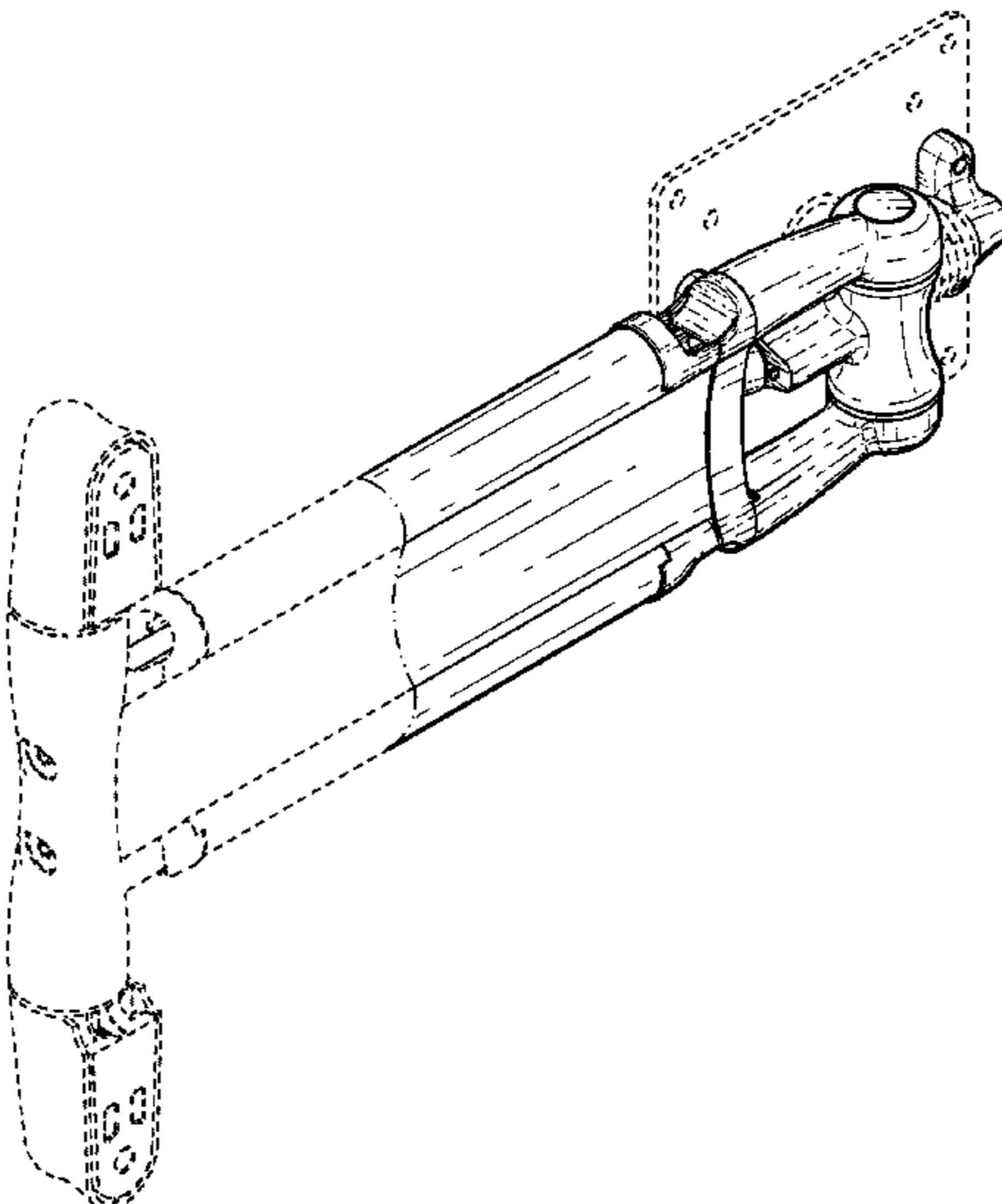
FIG. 6 is a rear elevational view thereof;

FIG. 7 is a rear perspective view thereof; and,

FIG. 8 is a front perspective view thereof.

The portions of the tilt-swivel mounting arm shown in broken lines form no part of the claimed design.

1 Claim, 6 Drawing Sheets



OTHER PUBLICATIONS

Sanus Systems product assembly instructions, Vision Mount VMAA Flat Panel Wall Mount, 8 pages, obtained from www.sanus.com on or prior to Mar. 13, 2006.

Sanus Systems product assembly instructions, Vision Mount VMDD 26 Flat Panel Wall Mount, 8 pages, obtained from www.sanus.com on or prior to Mar. 13, 2006.

* cited by examiner

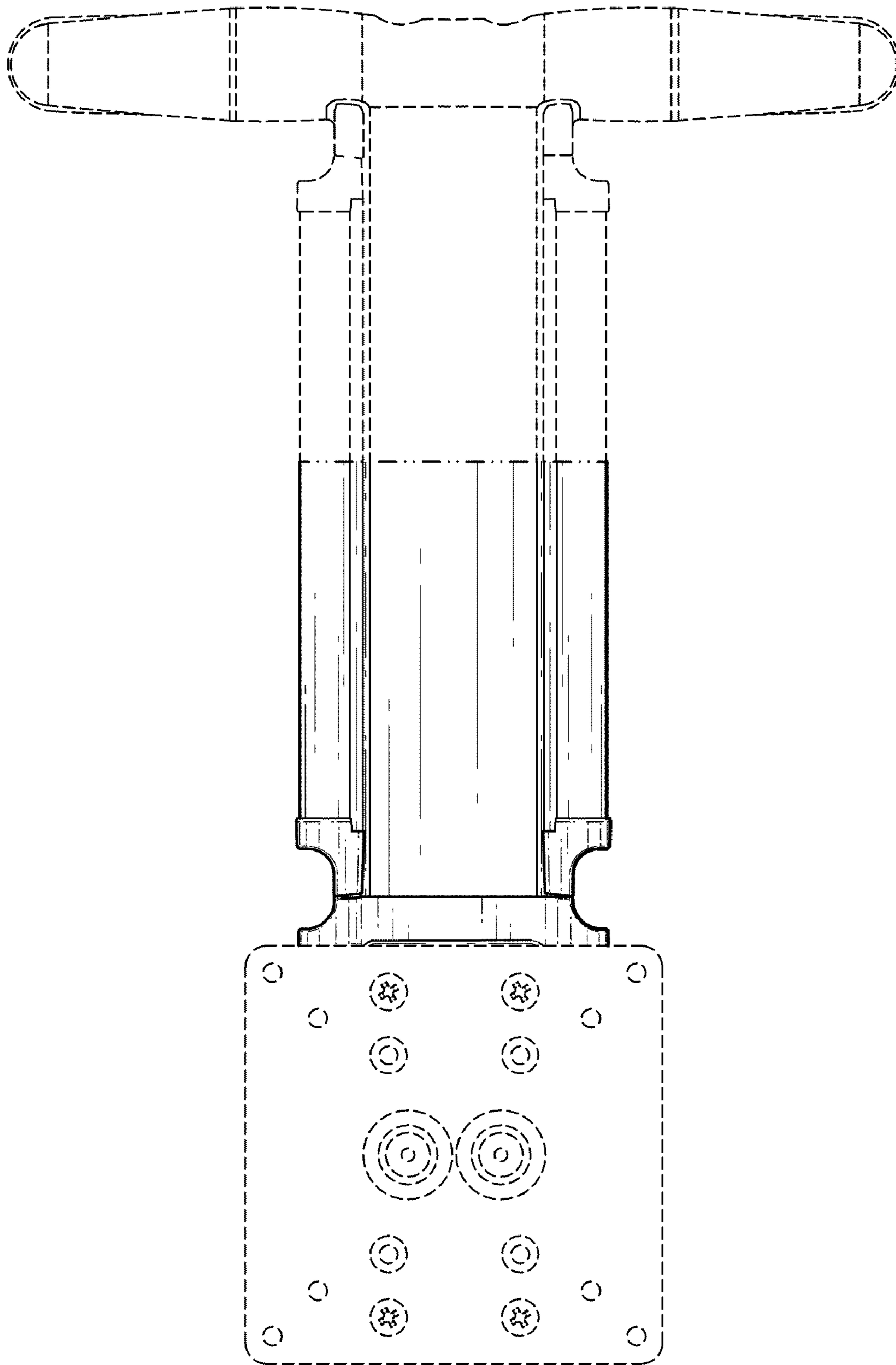


FIG. 1

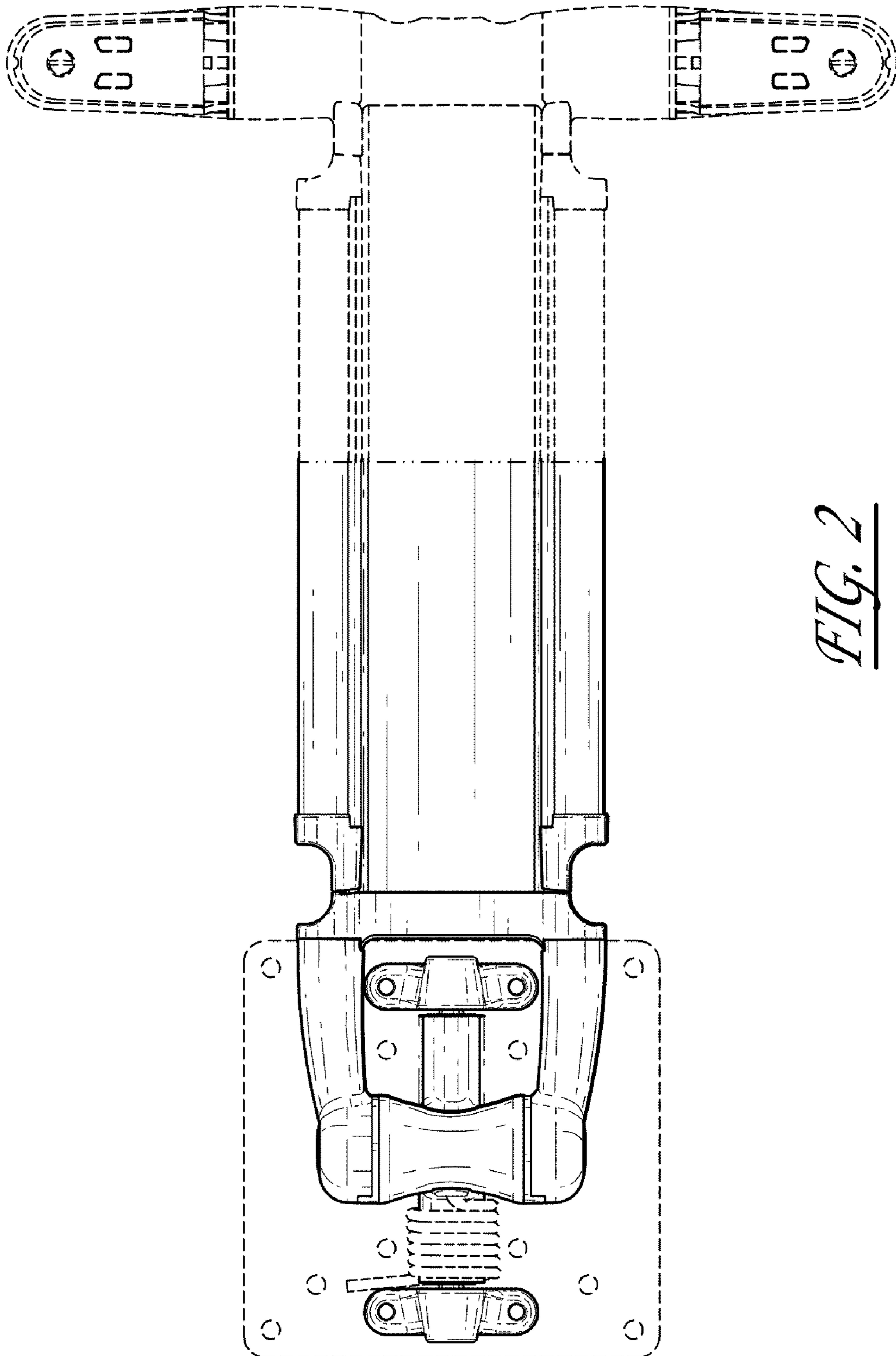


FIG. 2

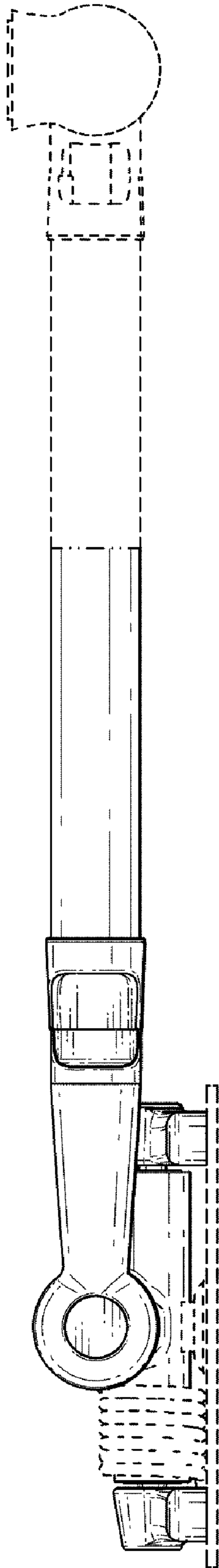


FIG. 3

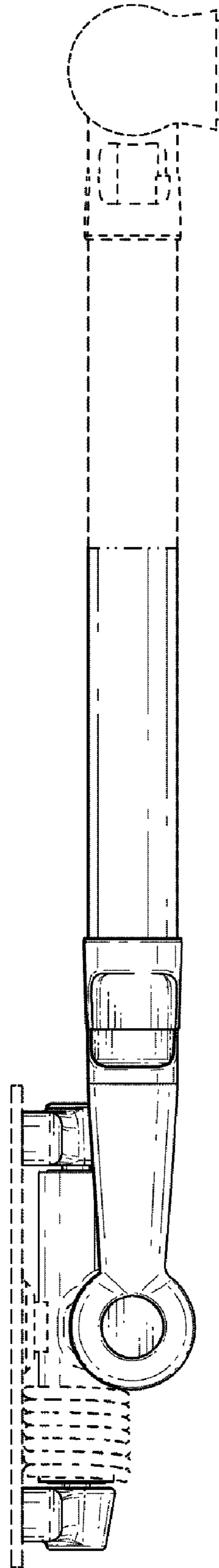


FIG. 4

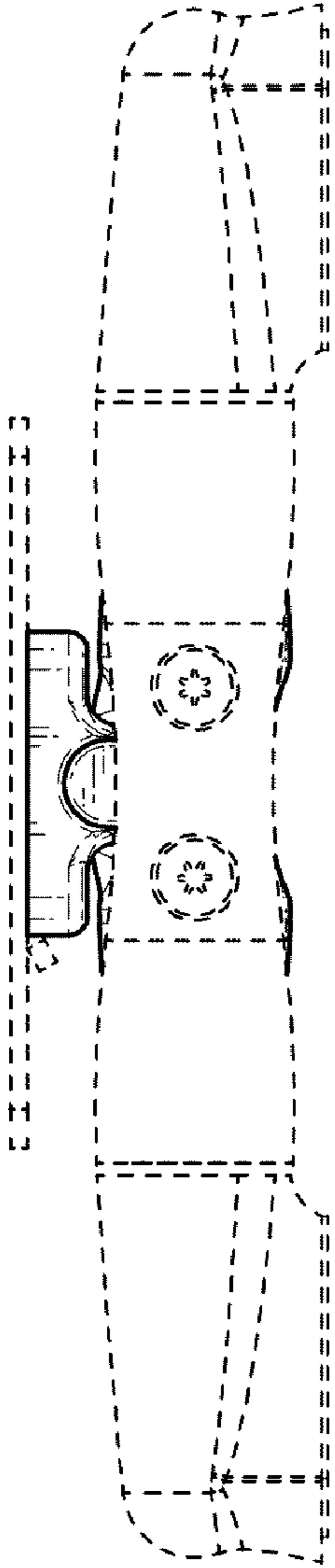


FIG. 5

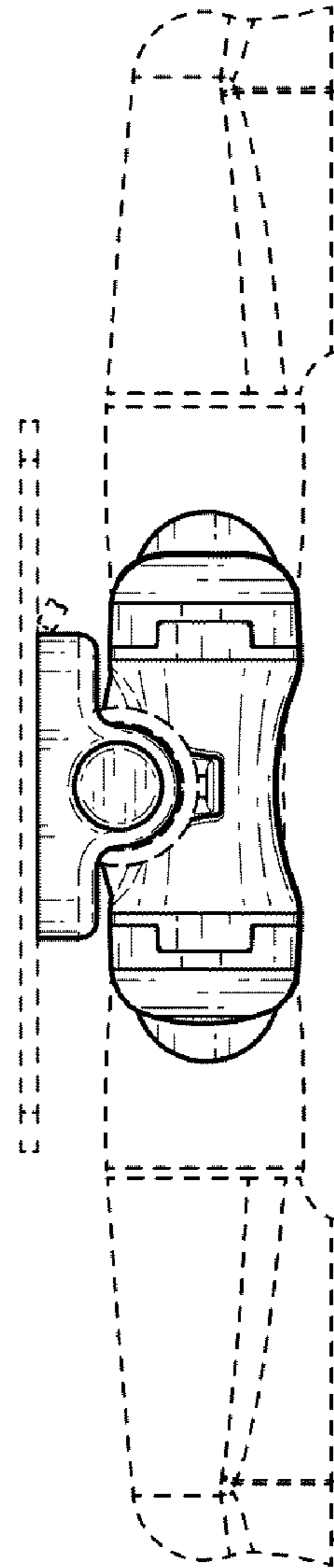


FIG. 6

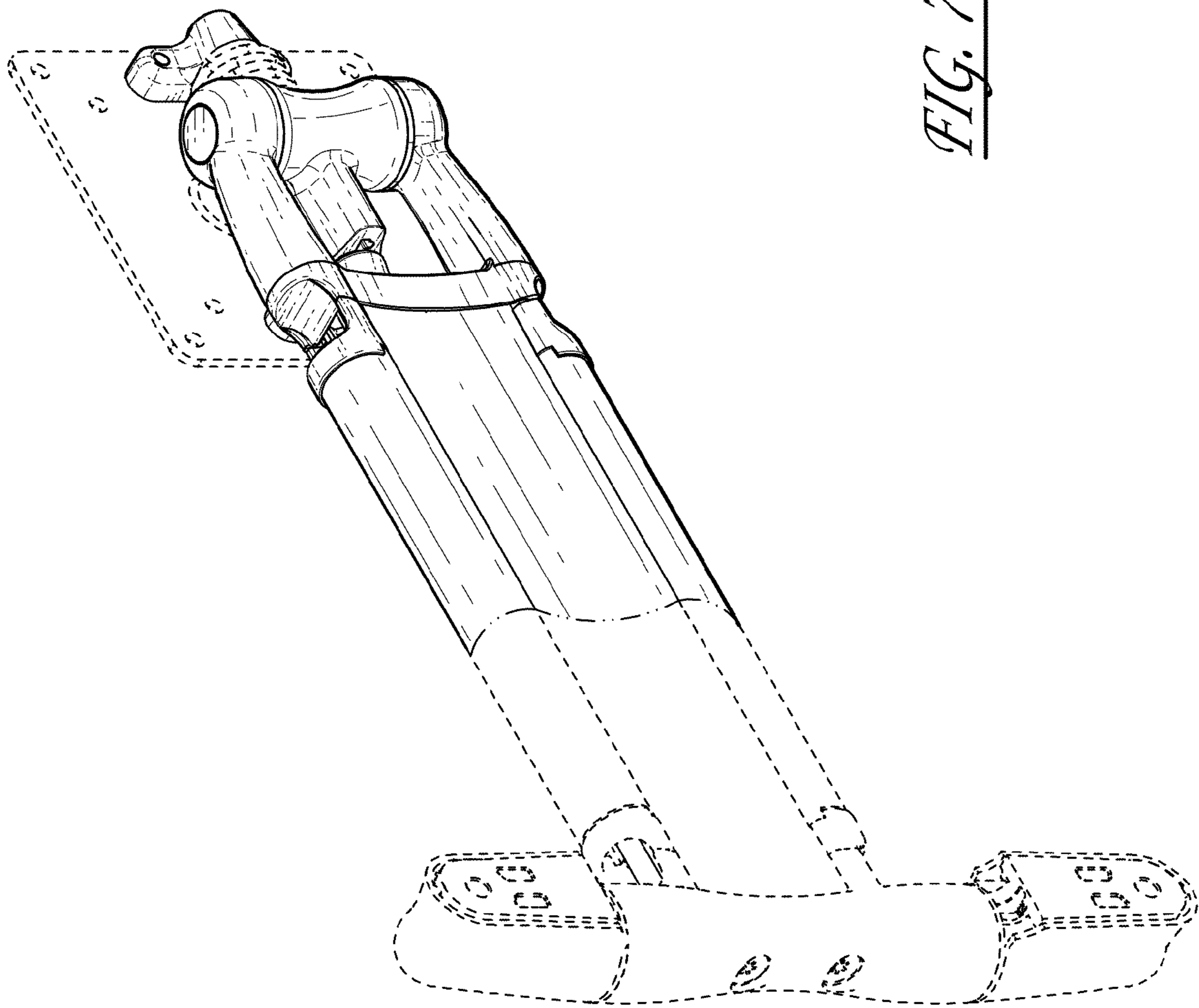


FIG. 7

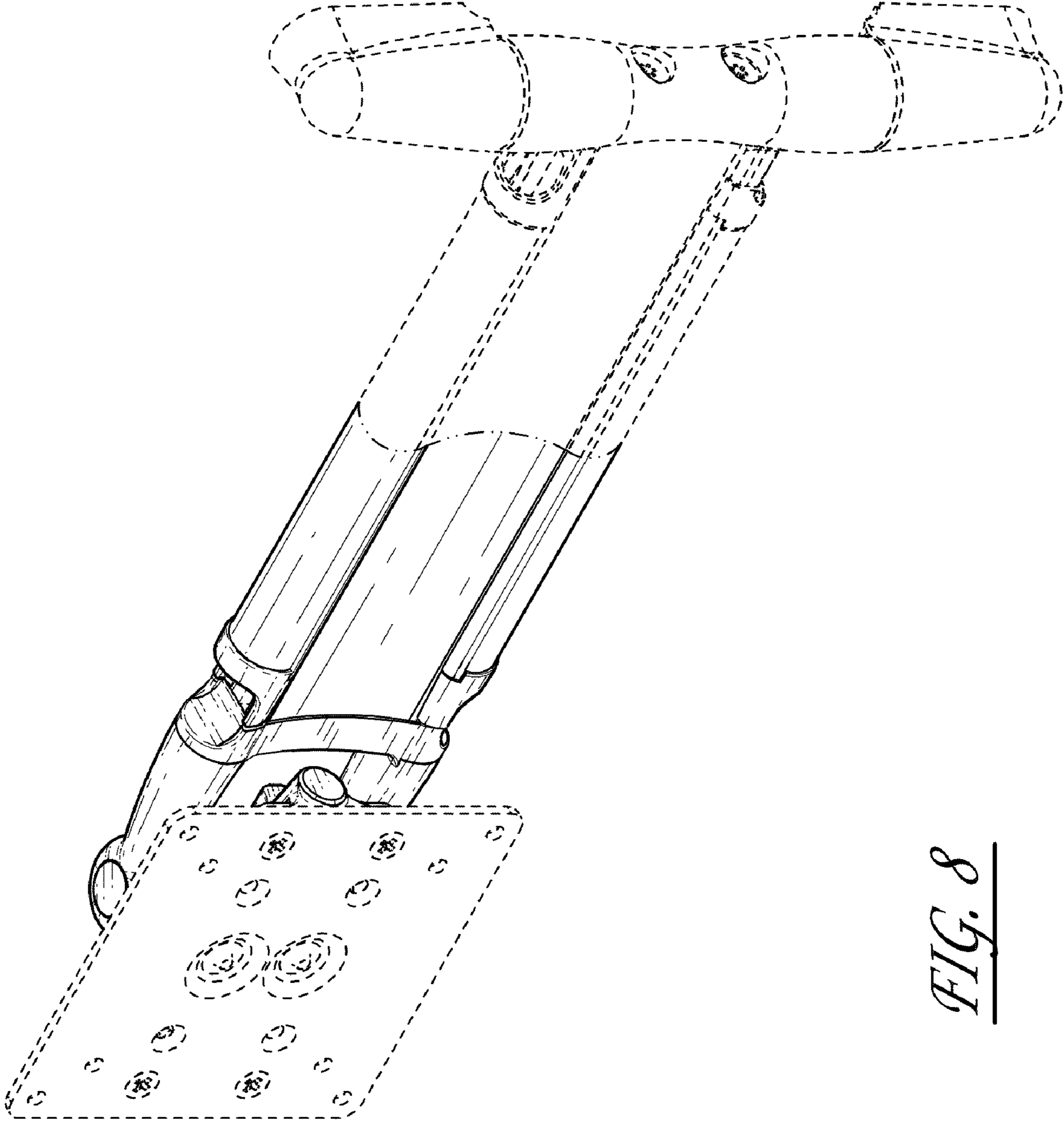


FIG. 8