



US00D644645S

(12) **United States Design Patent**
Huang et al.

(10) **Patent No.:** **US D644,645 S**

(45) **Date of Patent:** **** Sep. 6, 2011**

(54) **DOCKING STATION**

(75) Inventors: **Shiao-Chin Huang**, Taipei Hsien (TW);
Chien-Ju Huang, Taipei Hsien (TW)

(73) Assignee: **Hon Hai Precision Industry Co., Ltd.**,
Tu-Cheng, New Taipei (TW)

(**) Term: **14 Years**

(21) Appl. No.: **29/377,103**

(22) Filed: **Oct. 17, 2010**

(51) **LOC (9) Cl.** **14-02**

(52) **U.S. Cl.** **D14/434**

(58) **Field of Classification Search** D14/432-434,
D14/314, 204, 420, 421, 447, 217, 358; D13/107,
D13/108, 110, 146; D8/373; 248/346.03,
248/176.1; 361/679.41, 679.31, 679.32,
361/679.4, 679.43; 320/109, 112-115; 705/15
See application file for complete search history.

(56) **References Cited**

U.S. PATENT DOCUMENTS

D335,861 S * 5/1993 Tattari D13/108
5,933,812 A * 8/1999 Meyer et al. 705/15

D472,900 S * 4/2003 Matsumoto D14/447
D507,526 S * 7/2005 Ohta D13/108
D520,013 S * 5/2006 Yang D14/434
D553,106 S * 10/2007 Griffin D14/434
2008/0219488 A1 * 9/2008 Crooijmans et al. 381/333

* cited by examiner

Primary Examiner — Freda Nunn

(74) *Attorney, Agent, or Firm* — Altis Law Group, Inc.

(57) **CLAIM**

The ornamental design for a docking station, as shown and described.

DESCRIPTION

FIG. 1 is a perspective view of a docking station showing our new design;

FIG. 2 is a front elevational view thereof;

FIG. 3 is a rear elevational view thereof;

FIG. 4 is a left side elevational view thereof;

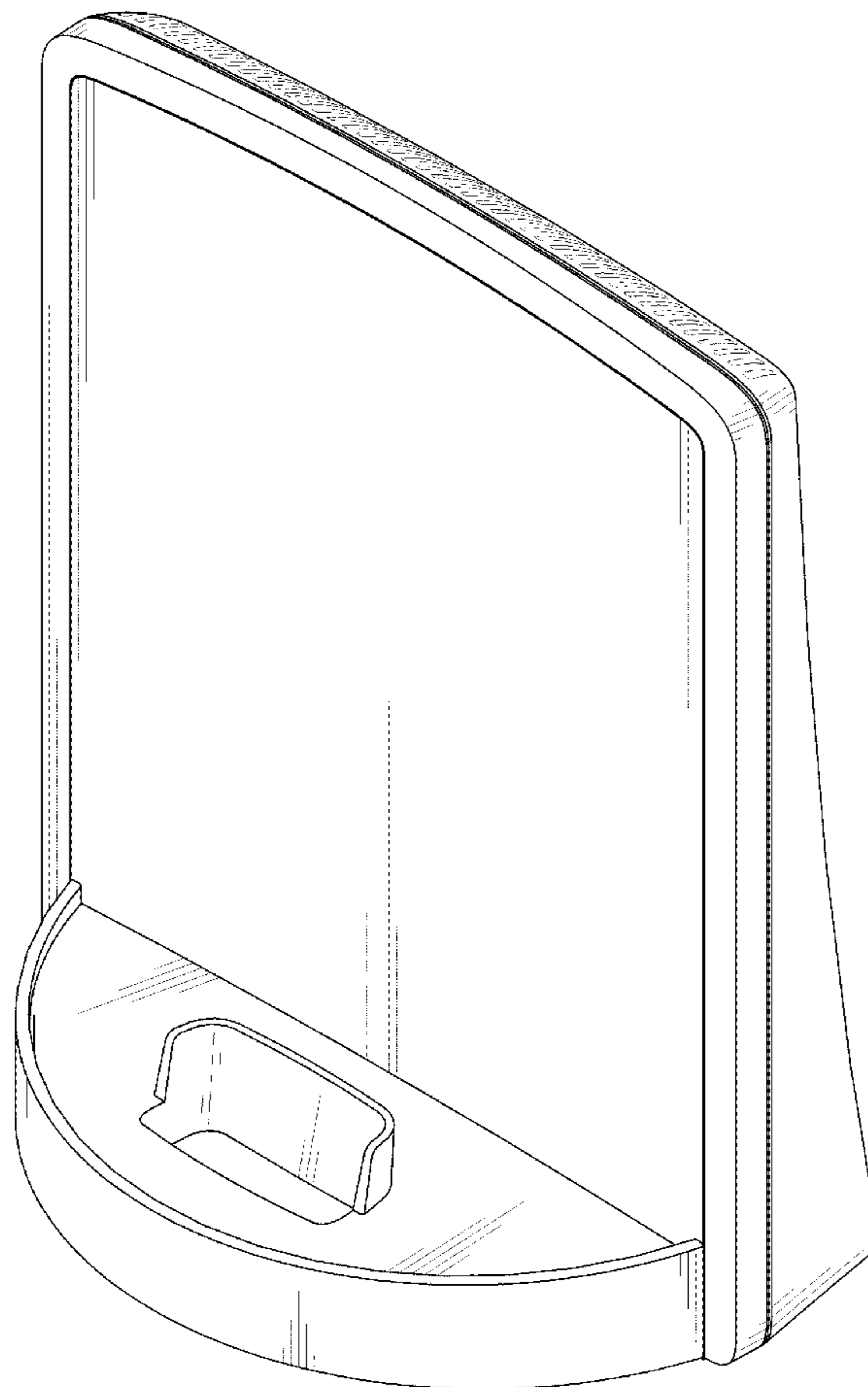
FIG. 5 is a right side elevational view thereof;

FIG. 6 is a top plan view thereof; and,

FIG. 7 is a bottom plan view thereof.

The broken lines are for illustrative purposes only and form no part of the claimed design.

1 Claim, 7 Drawing Sheets



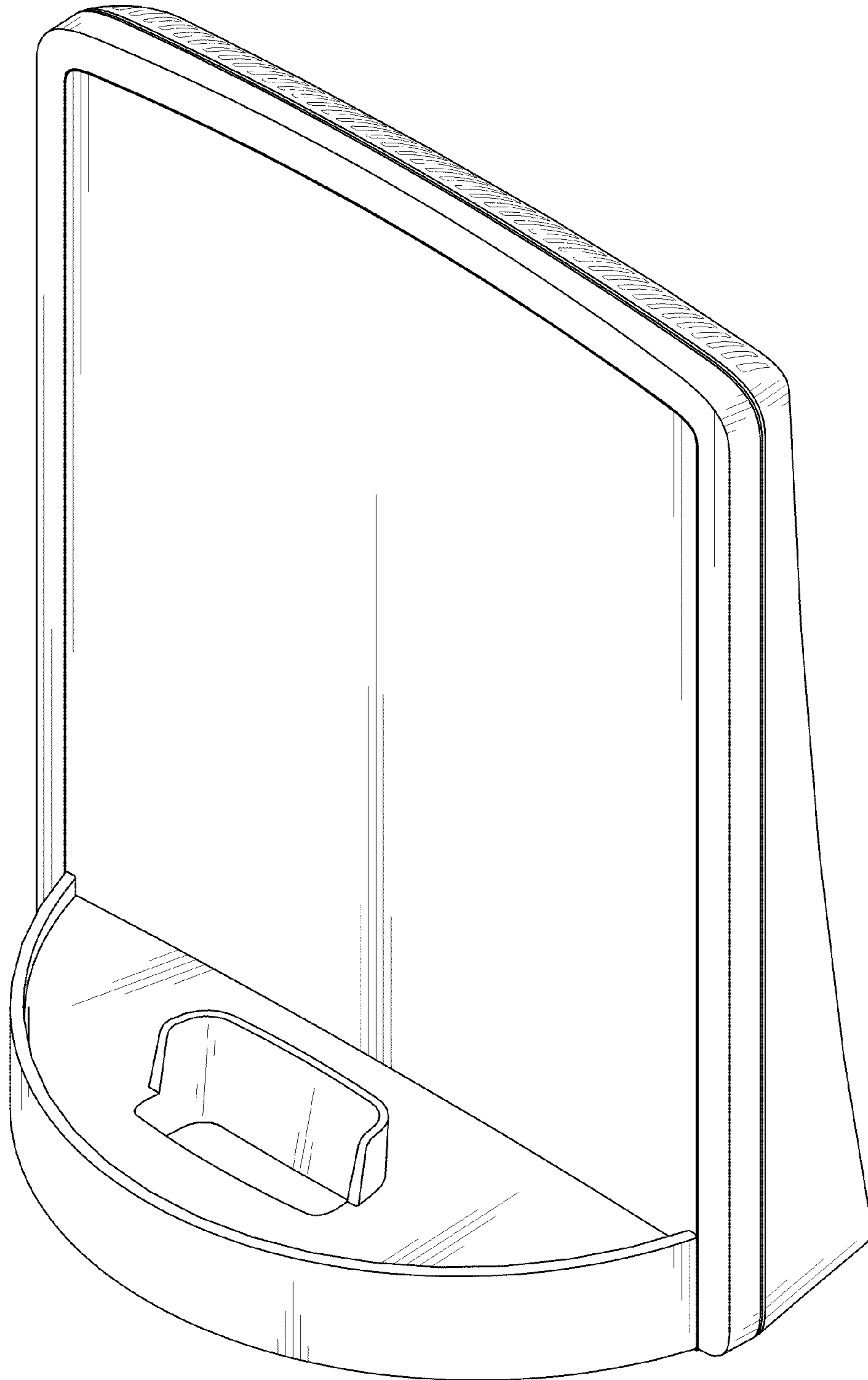


FIG. 1

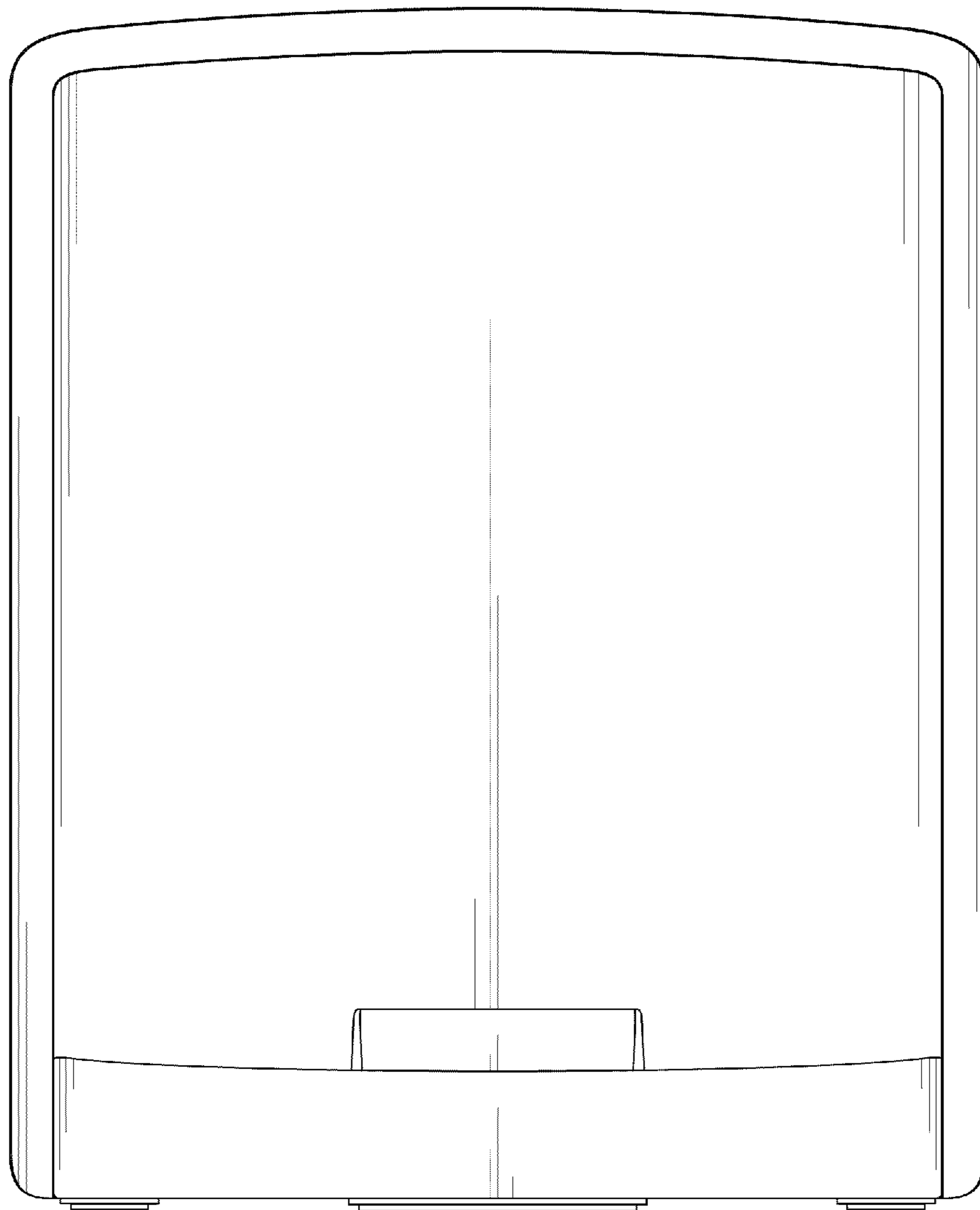


FIG. 2

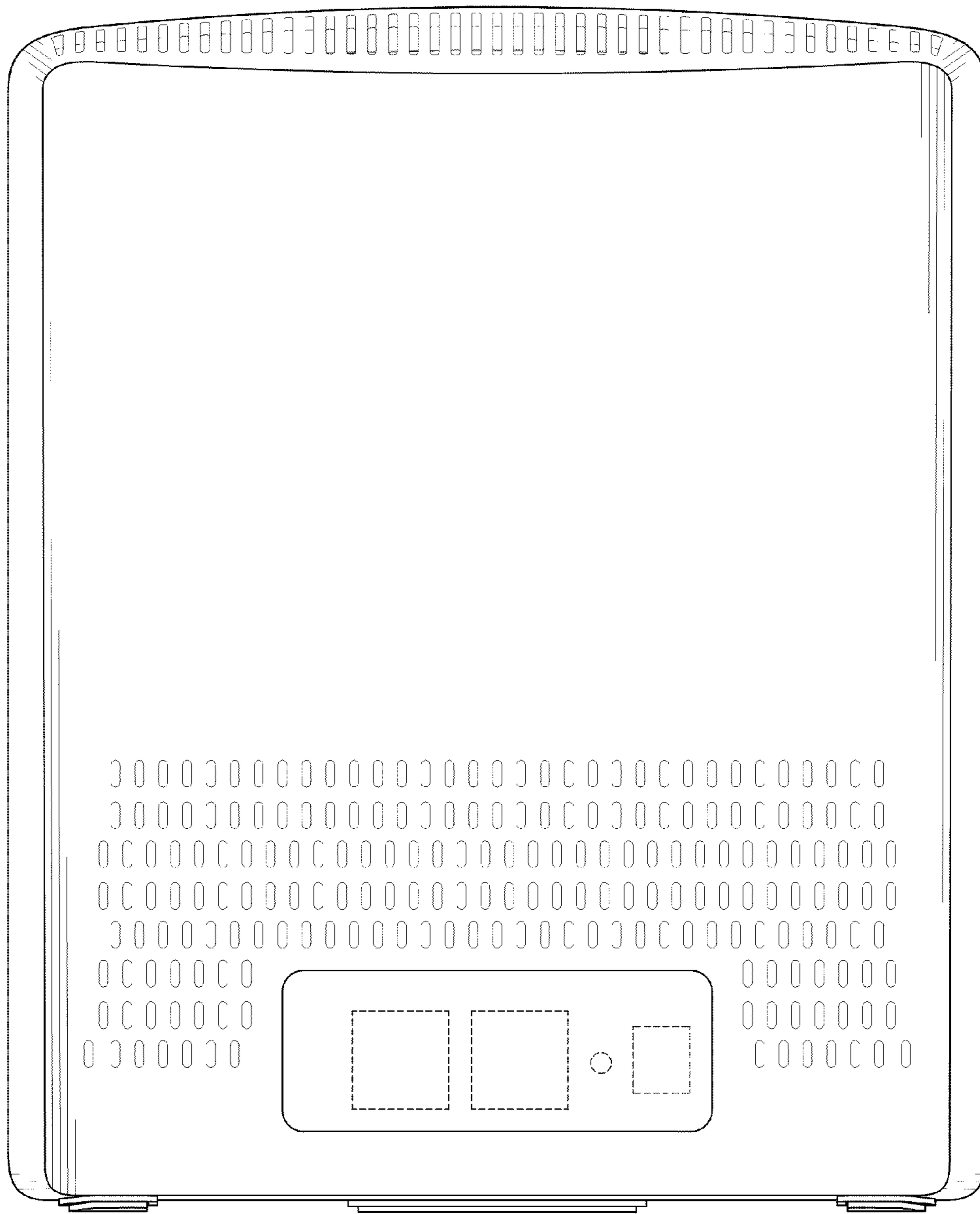


FIG. 3

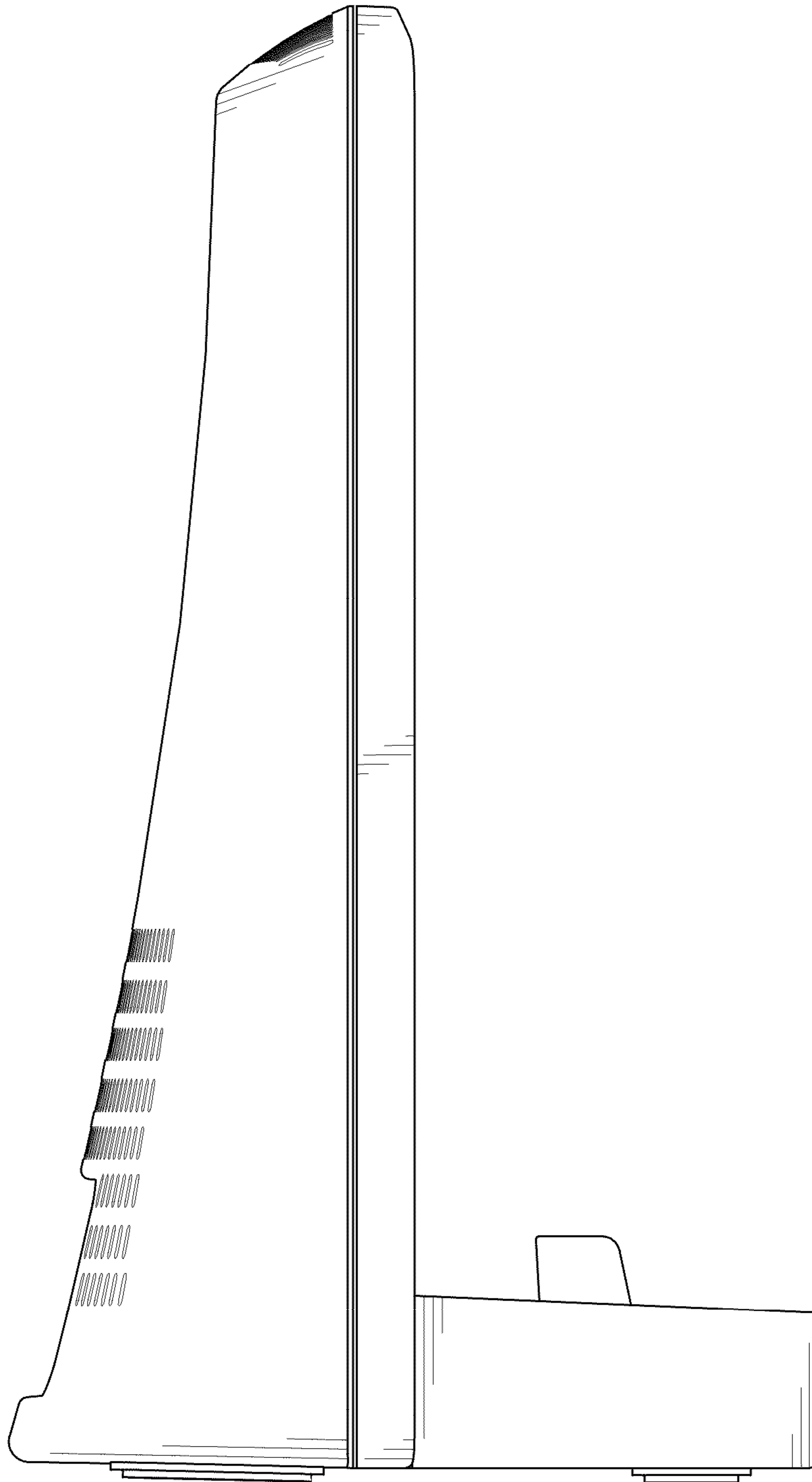


FIG. 4

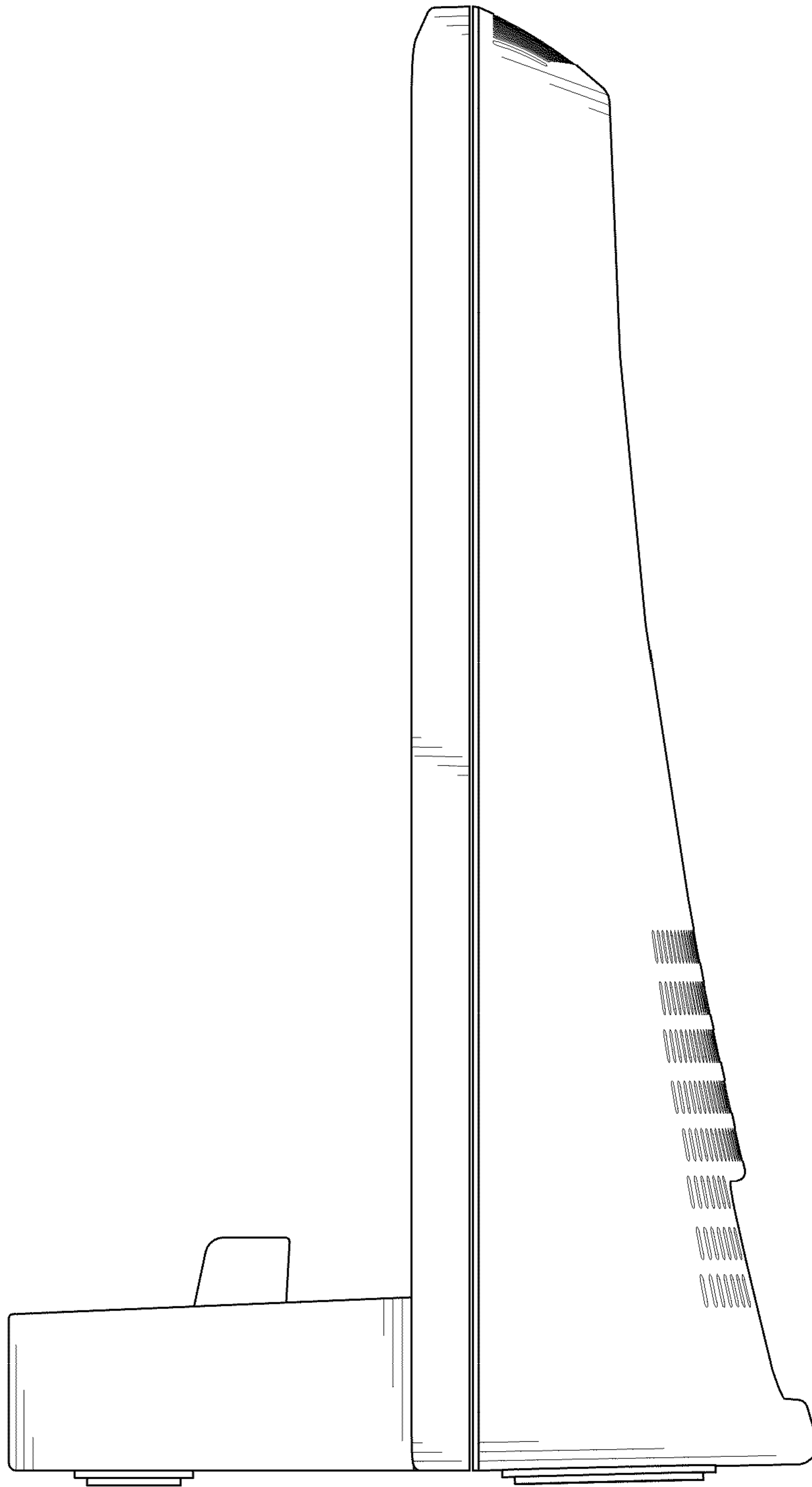


FIG. 5

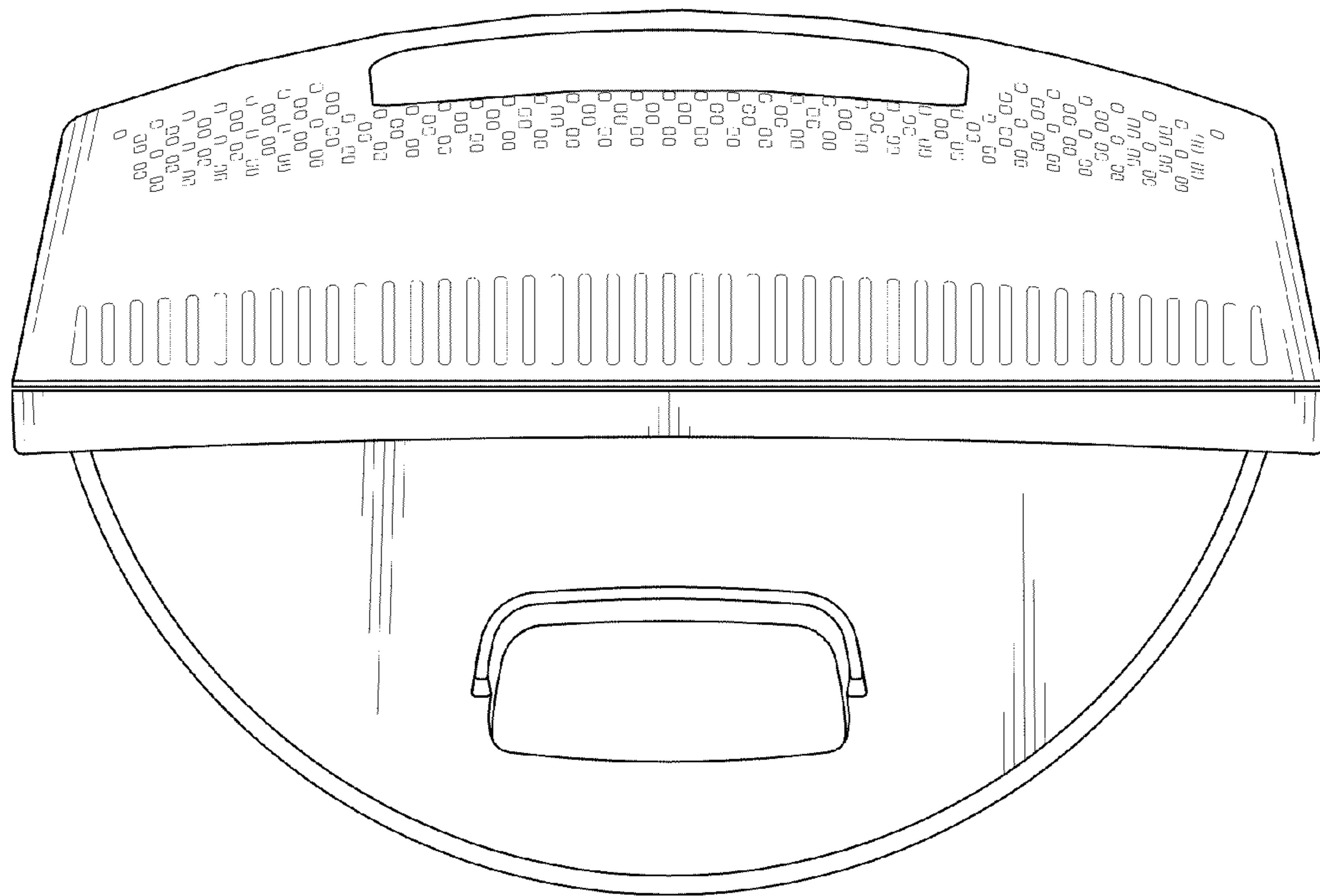


FIG. 6

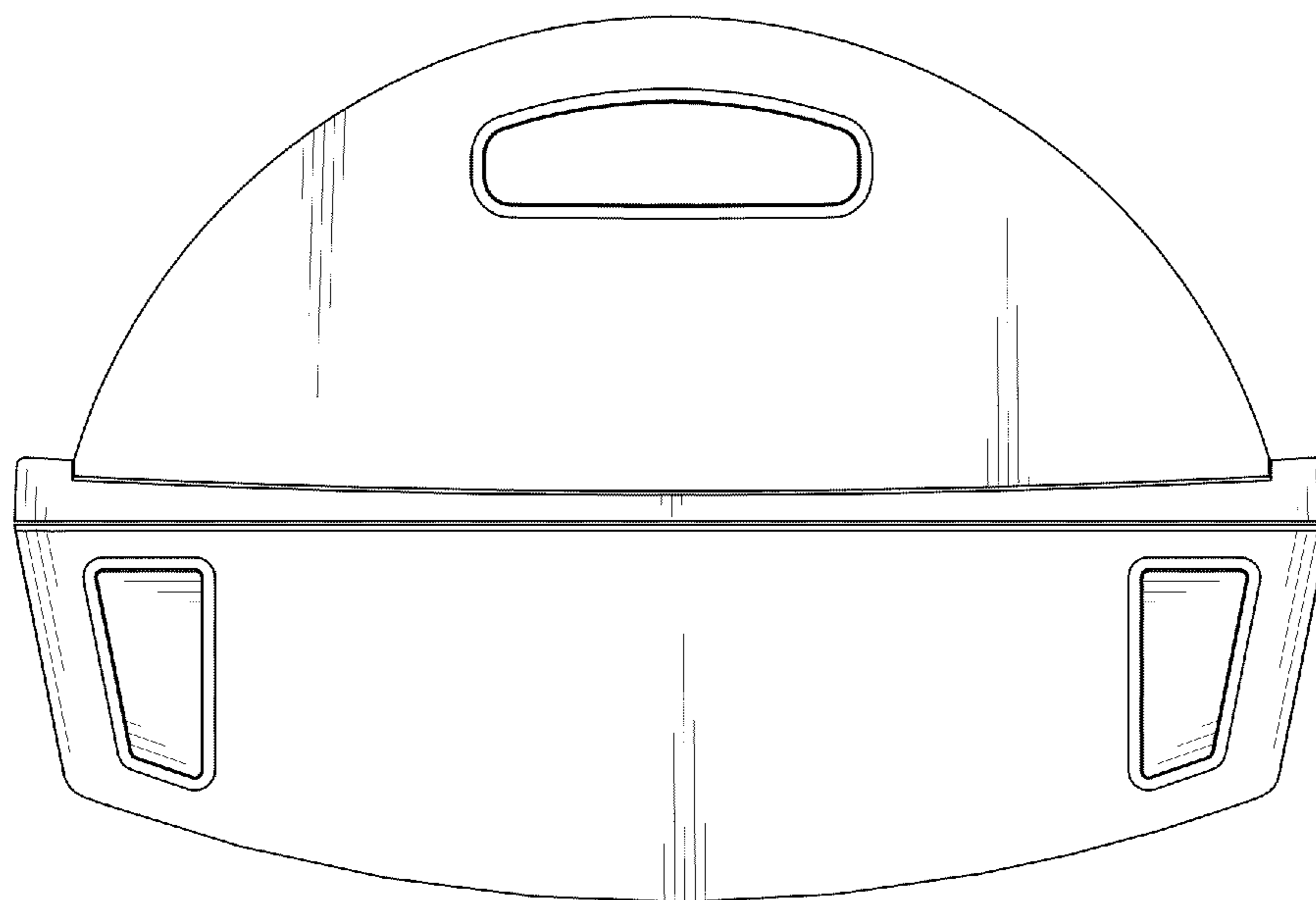


FIG. 7