



US00D644644S

(12) **United States Design Patent**
Wang et al.

(10) **Patent No.:** **US D644,644 S**

(45) **Date of Patent:** **** Sep. 6, 2011**

(54) **TEACHING PENDANT**

(75) Inventors: **Jun Wang**, Shenzhen (CN); **Chen-Li Kao**, Taipei Hsien (TW); **Deng-Zhong Chen**, Shenzhen (CN); **Chien-Ming Chih**, Taipei Hsien (TW)

(73) Assignee: **Hon Hai Precision Industry Co., Ltd.**,
Tu-Cheng, New Taipei (TW)

(**) Term: **14 Years**

(21) Appl. No.: **29/345,556**

(22) Filed: **Oct. 19, 2009**

(30) **Foreign Application Priority Data**

Sep. 14, 2009 (CN) 2009 3 0315921

(51) **LOC (9) Cl.** **14-02**

(52) **U.S. Cl.** **D14/415**

(58) **Field of Classification Search** D14/217,
D14/218, 356, 388, 399-401, 412-416, 432,
D14/434, 454-457, 496; D21/324, 332,
D21/333; 463/1, 30, 36-38, 46, 47; 345/156-161,
345/905

See application file for complete search history.

(56) **References Cited**

U.S. PATENT DOCUMENTS

D415,121	S	*	10/1999	Uematsu et al.	D14/328
D421,038	S	*	2/2000	Hisatsune	D14/415
D498,754	S	*	11/2004	Blyth	D14/341
D501,463	S	*	2/2005	Hisatsune	D14/218
D501,477	S	*	2/2005	Hall	D14/413
D503,928	S	*	4/2005	Obata	D14/413
D505,950	S	*	6/2005	Summit et al.	D14/341
D523,446	S	*	6/2006	Peng	D14/203.7
D577,724	S	*	9/2008	Henne	D14/401

* cited by examiner

Primary Examiner — Stella Reid

Assistant Examiner — Keli L Hill

(74) *Attorney, Agent, or Firm* — Altis Law Group, Inc.

(57) **CLAIM**

The ornamental design for a teaching pendant, as shown and described.

DESCRIPTION

FIG. 1 is a perspective view of a teaching pendant showing my design;

FIG. 2 is a front elevational view thereof;

FIG. 3 is a rear elevational view thereof;

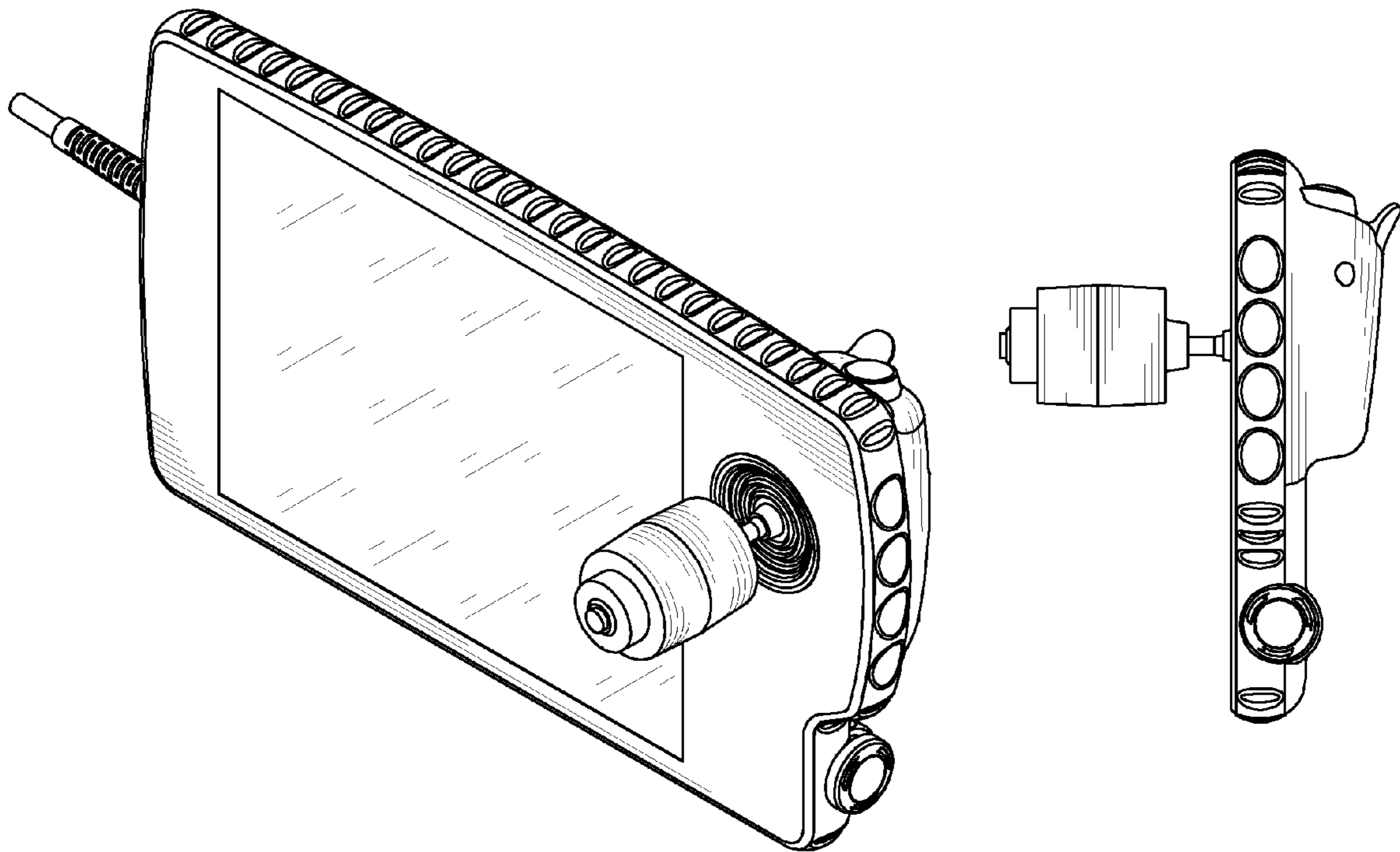
FIG. 4 is a left side elevational view thereof;

FIG. 5 is a right side elevational view thereof;

FIG. 6 is a top plan view thereof; and,

FIG. 7 is a bottom plan view thereof.

1 Claim, 7 Drawing Sheets



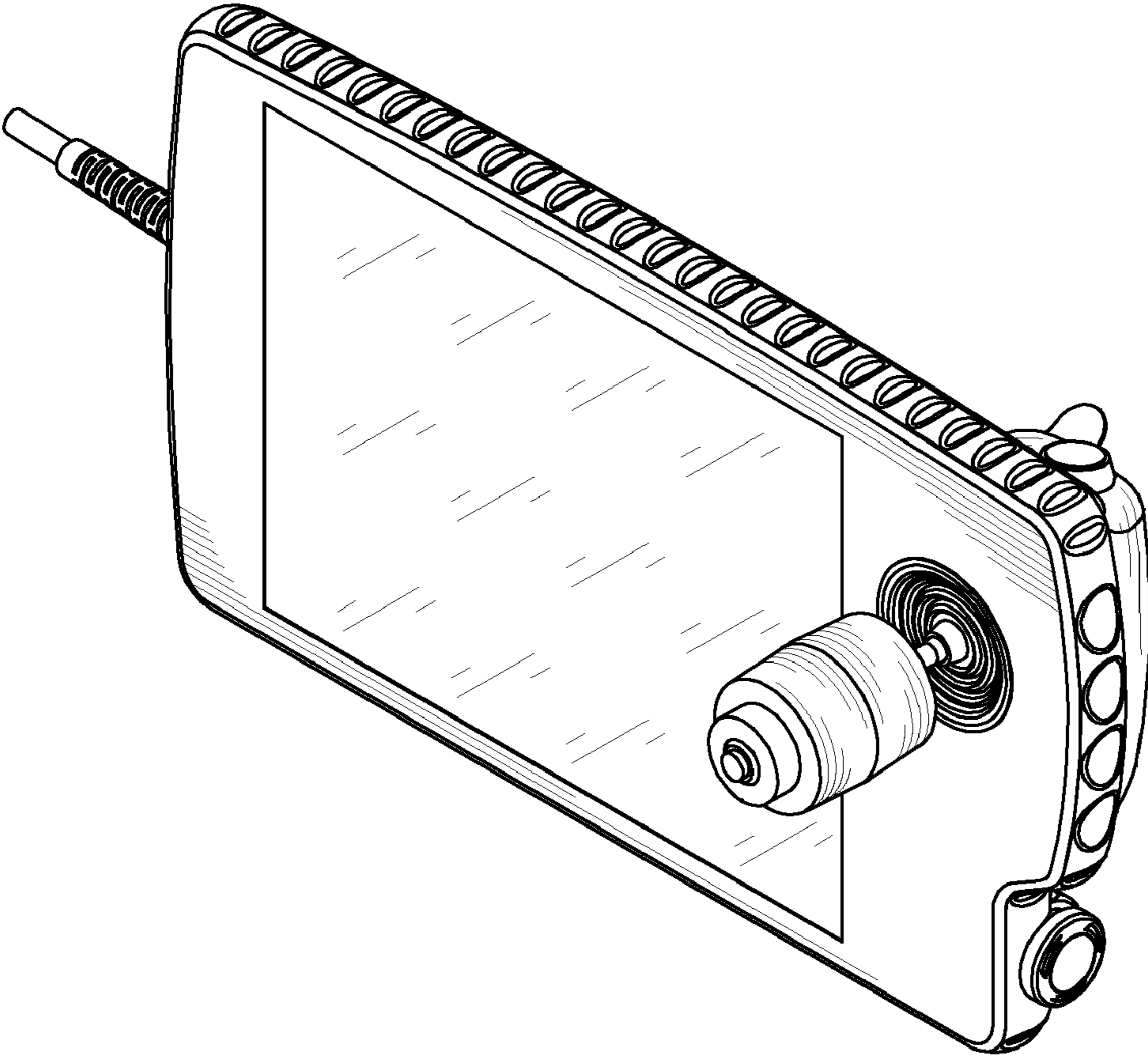


FIG. 1

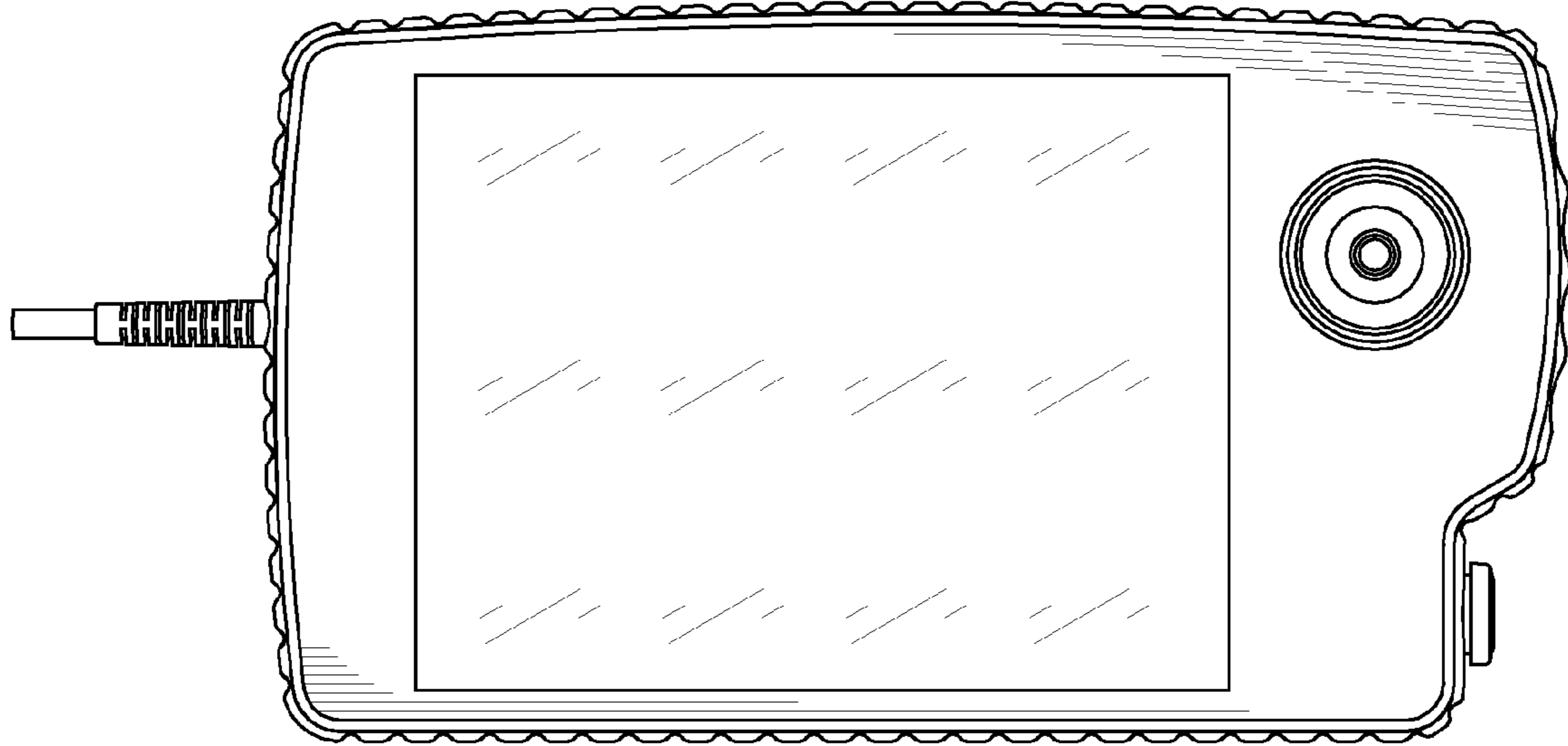


FIG. 2

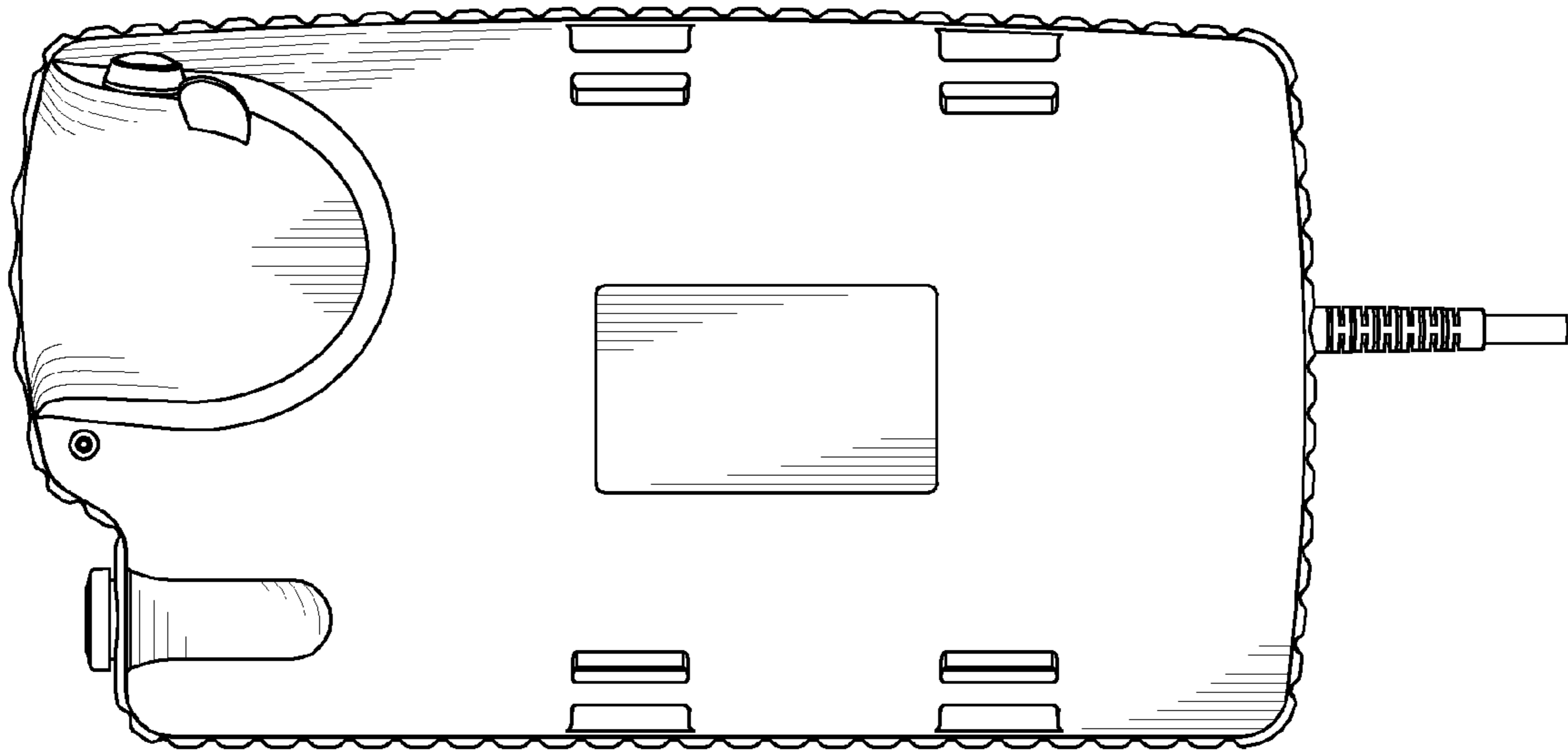


FIG. 3

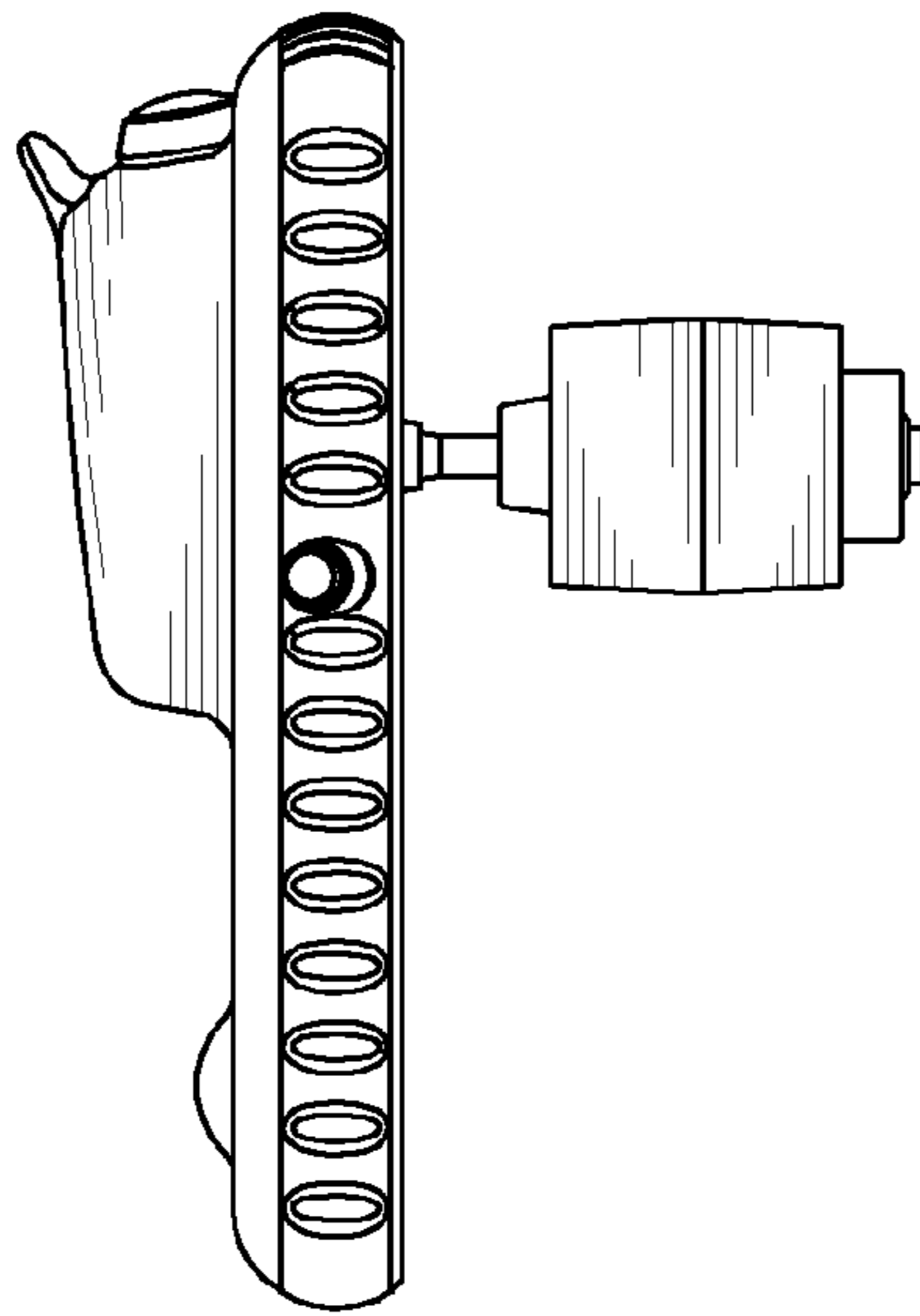


FIG. 4

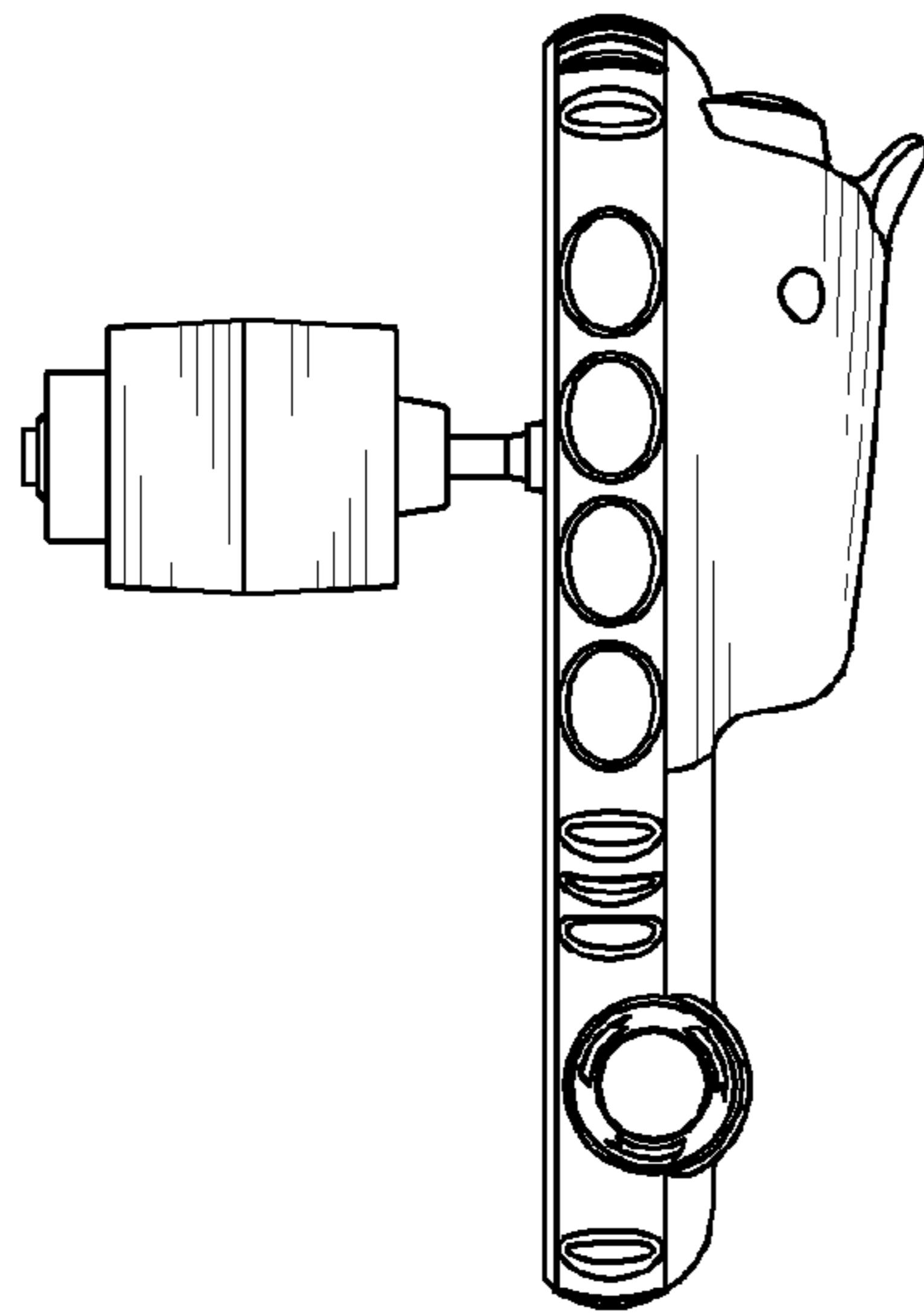


FIG. 5

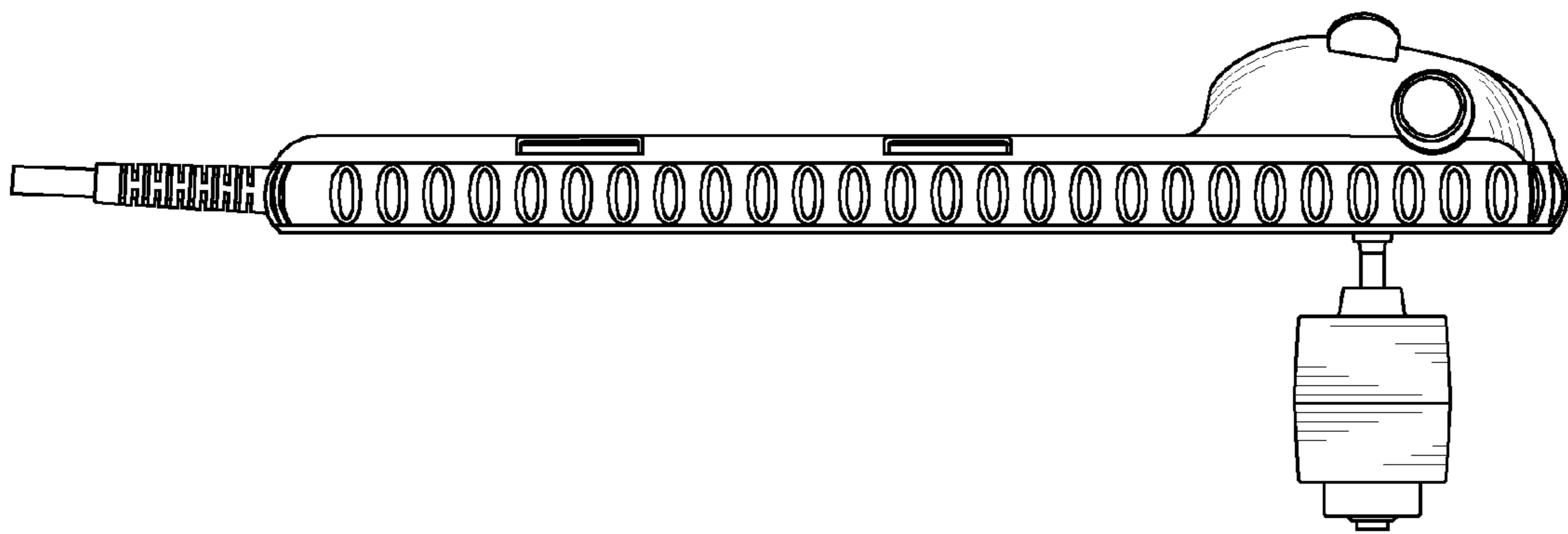


FIG. 6

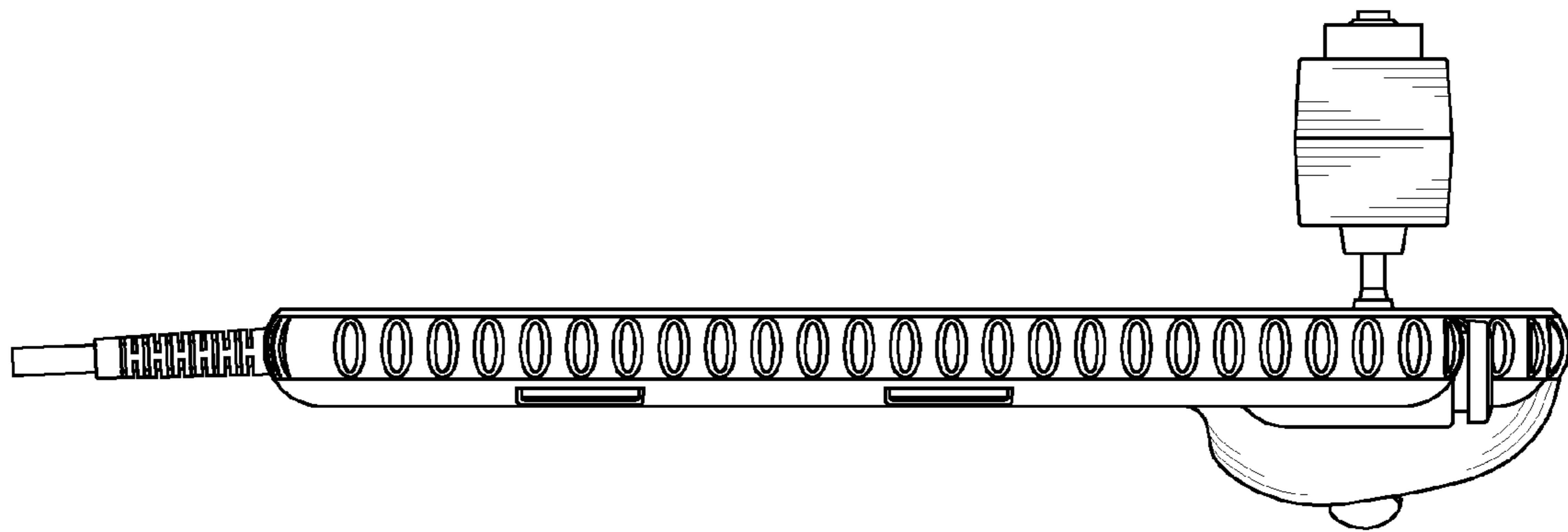


FIG. 7