



US00D644642S

(12) **United States Design Patent**
Chou et al.

(10) **Patent No.:** **US D644,642 S**
(45) **Date of Patent:** **** Sep. 6, 2011**

(54) **FLAT PANEL DISPLAY**

(75) Inventors: **Chien-Te Chou**, Taichung County (TW);
Ming-Sung Lin, Taipei (TW)

(73) Assignee: **HannStar Display Corp.**, Wugu
Industrial Zone, Taipei County (TW)

(**) Term: **14 Years**

(21) Appl. No.: **29/383,062**

(22) Filed: **Jan. 11, 2011**

(30) **Foreign Application Priority Data**

Nov. 25, 2010 (TW) 99306042

(51) **LOC (9) Cl.** **14-02**

(52) **U.S. Cl.** **D14/374**

(58) **Field of Classification Search** D14/371-376,
D14/125-129, 336, 337; 248/917-924; 341/12;
345/104, 156, 173, 174, 901-905; 348/180,
348/184, 325, 739, 837; 361/679.01, 679.02,
361/679.21-679.25; 349/1, 2, 11, 58

See application file for complete search history.

(56) **References Cited**

U.S. PATENT DOCUMENTS

6,381,125	B1 *	4/2002	Mizoguchi et al.	361/679.08
D504,876	S *	5/2005	Zheng	D14/126
D529,911	S *	10/2006	Yamashiro et al.	D14/375
D558,696	S *	1/2008	Park et al.	D14/126
D563,335	S *	3/2008	Murata et al.	D14/126
D620,903	S *	8/2010	Song et al.	D14/126
D620,904	S *	8/2010	Honda	D14/126

* cited by examiner

Primary Examiner — Freda Nunn

(74) *Attorney, Agent, or Firm* — Winston Hsu; Scott Margo

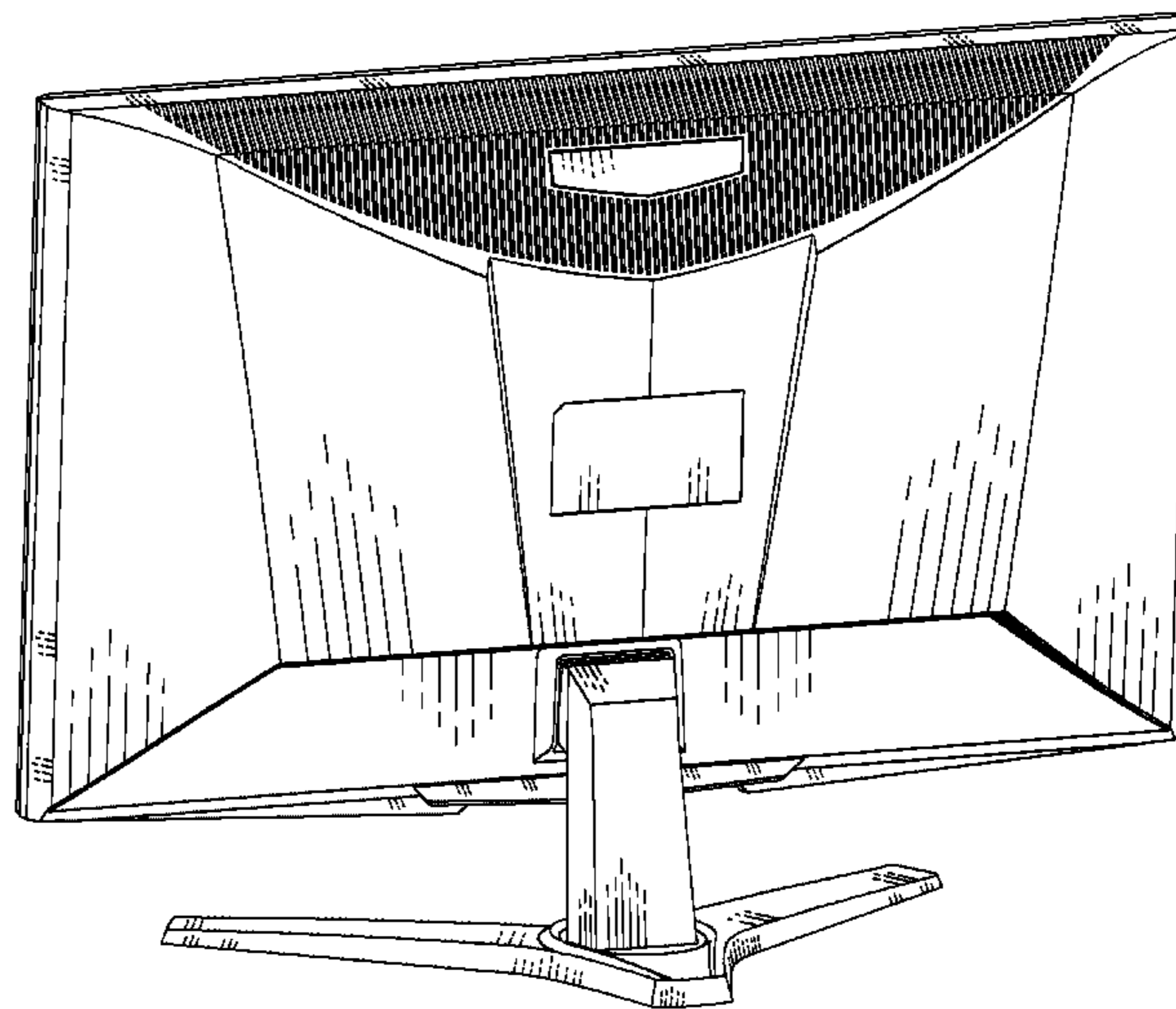
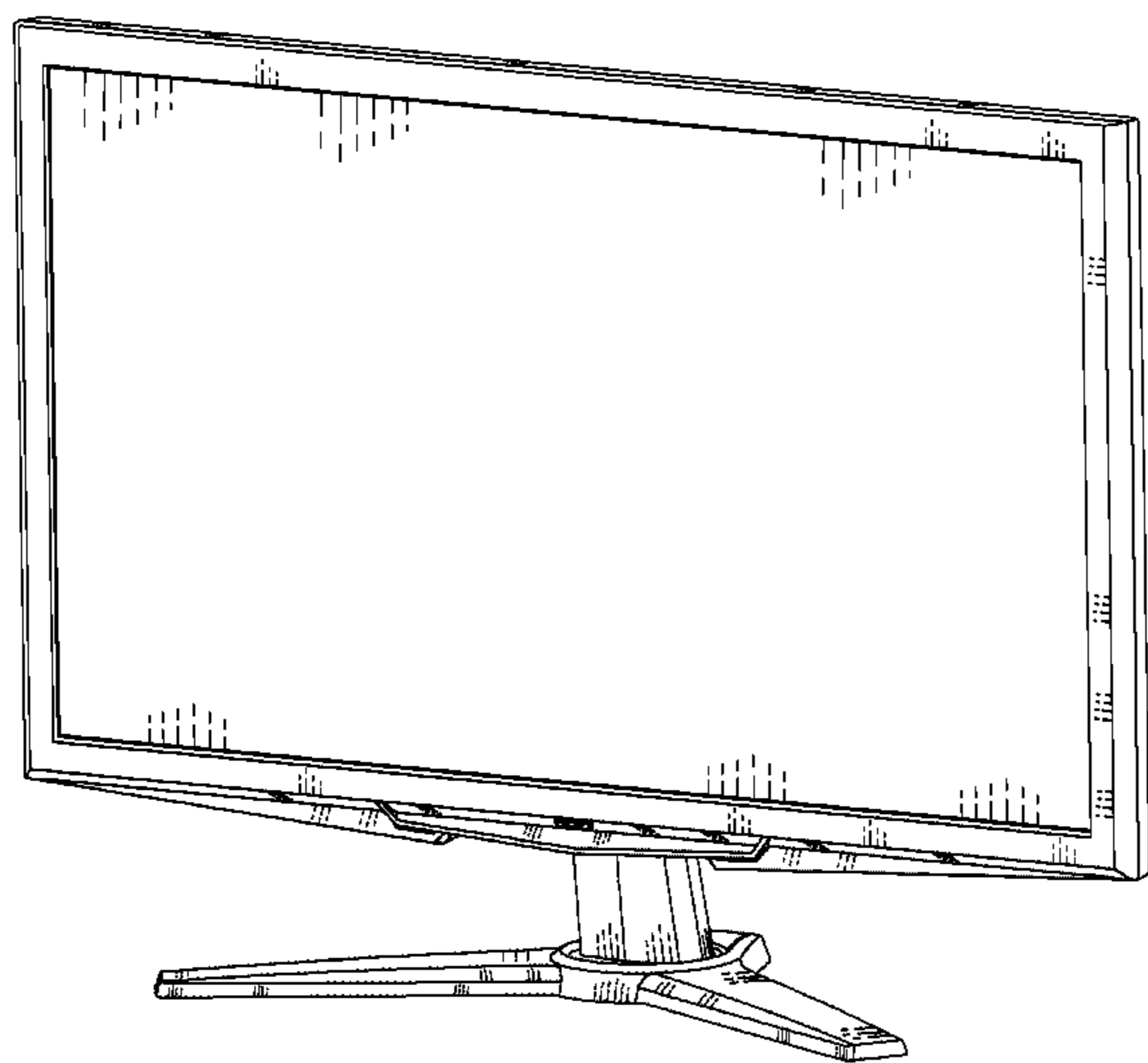
(57) **CLAIM**

The ornamental design for a flat panel display, as shown.

DESCRIPTION

FIG. 1 is a front view of a flat panel display;
FIG. 2 is a rear view thereof;
FIG. 3 is a left side elevational view thereof;
FIG. 4 is a right side elevational view thereof;
FIG. 5 is a top plan view thereof;
FIG. 6 is a bottom plan view thereof;
FIG. 7 is a front perspective view of the flat panel display;
and,
FIG. 8 is a rear perspective view of the flat panel display.

1 Claim, 8 Drawing Sheets



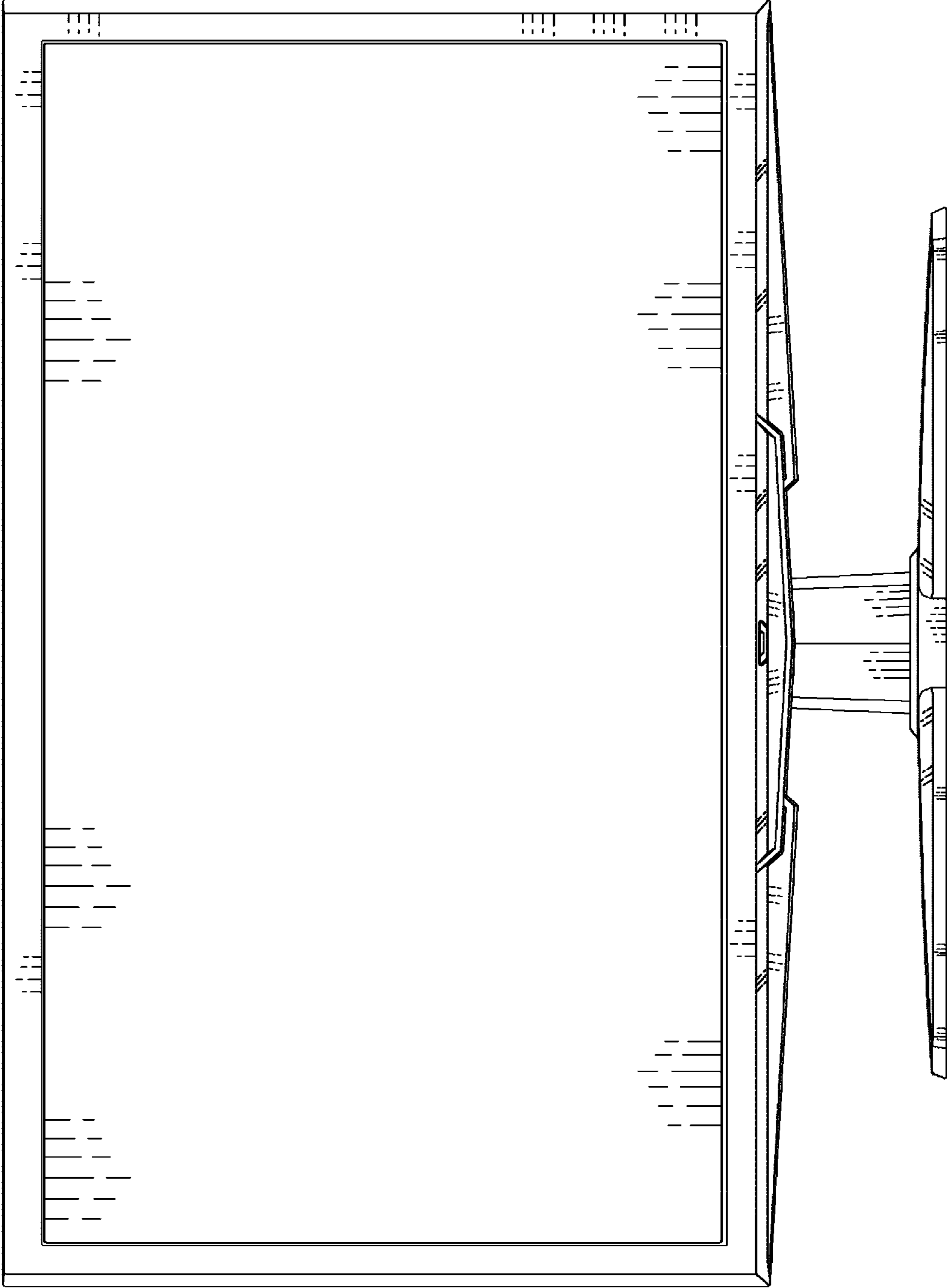


FIG. 1

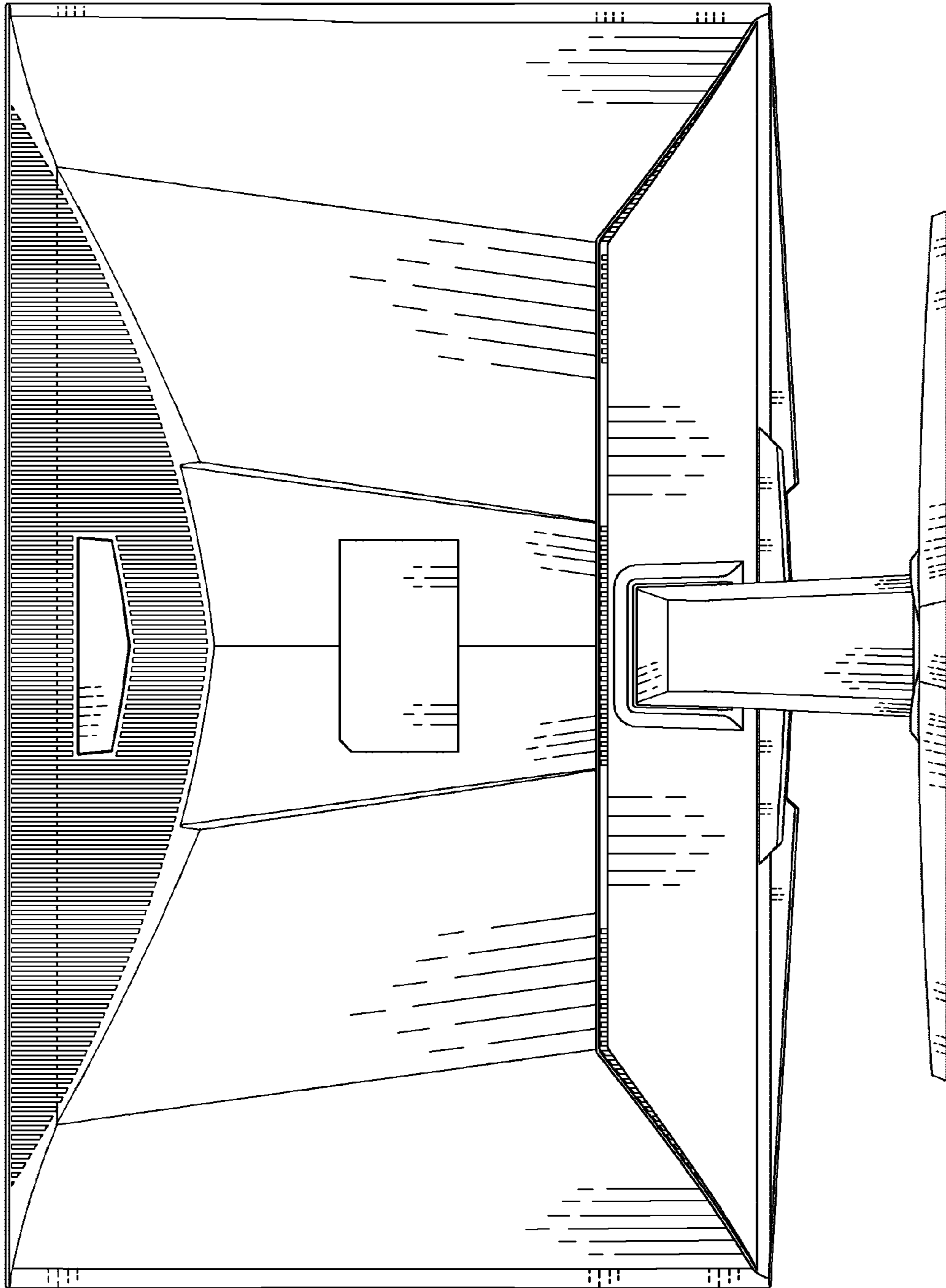


FIG. 2

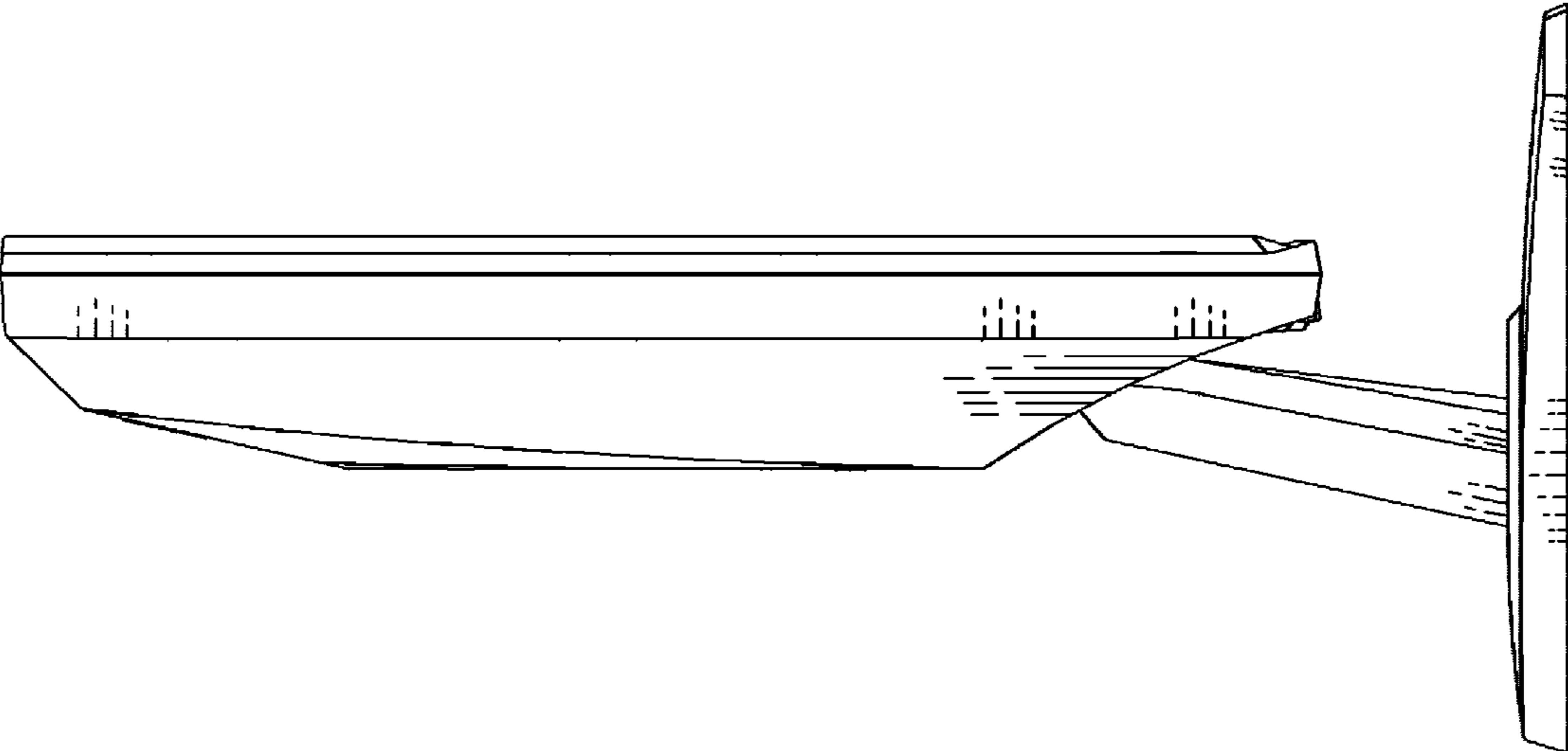


FIG. 3

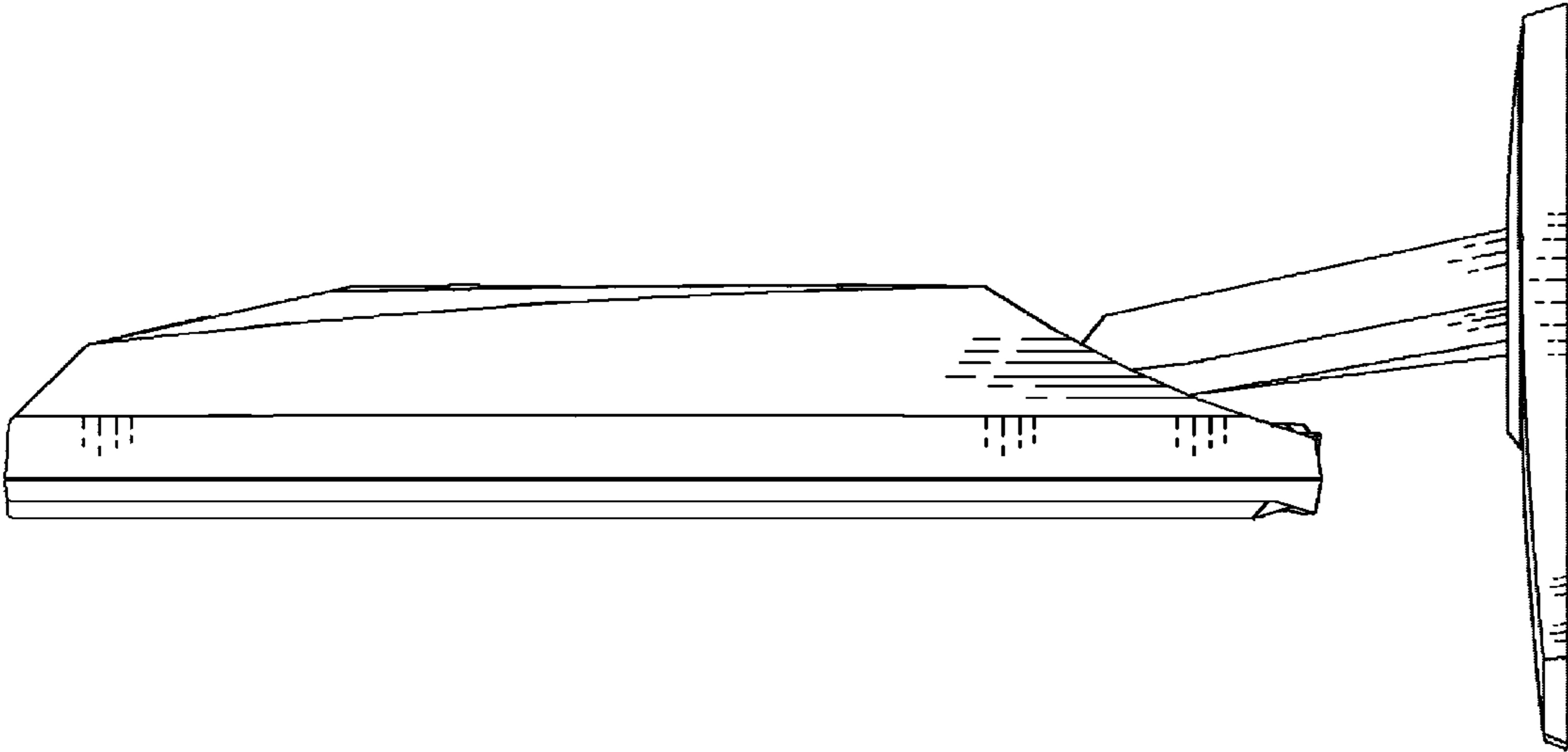


FIG. 4

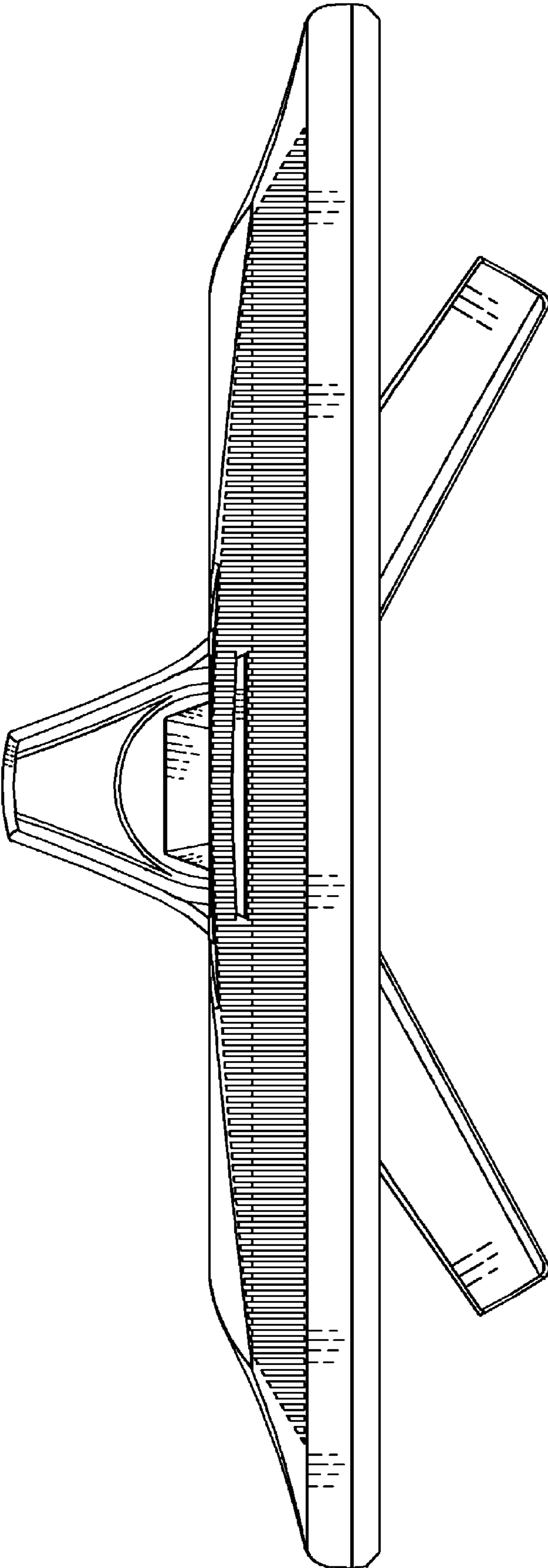


FIG. 5

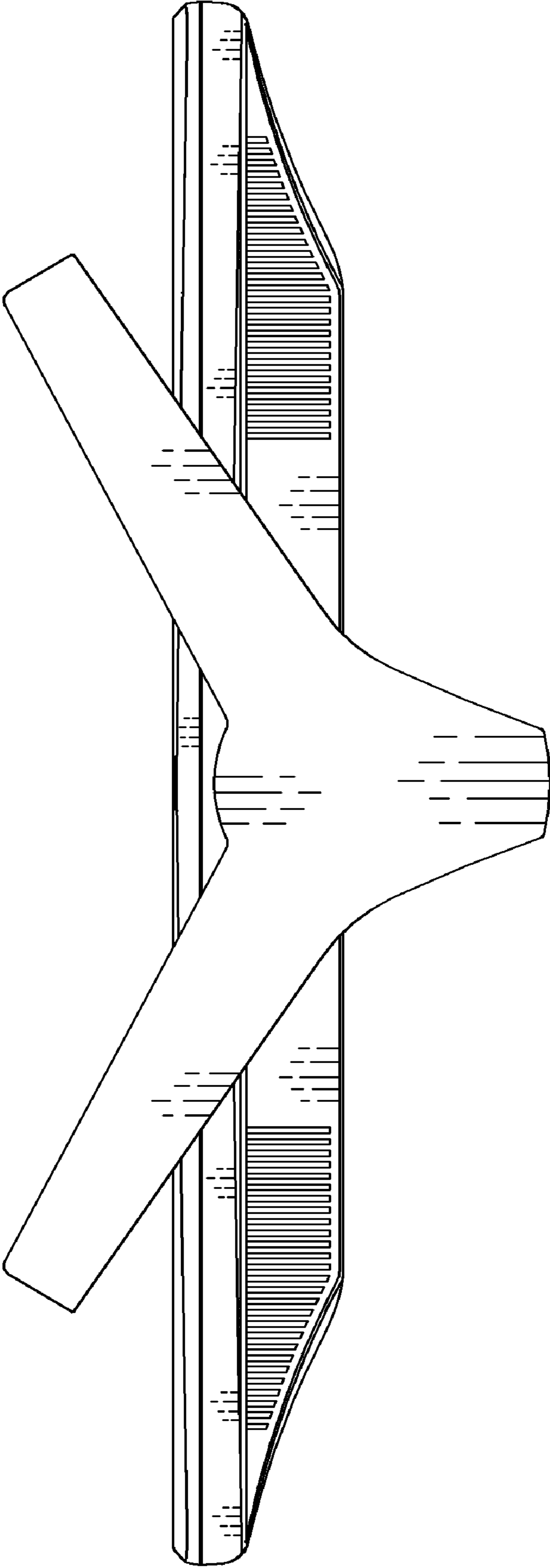


FIG. 6

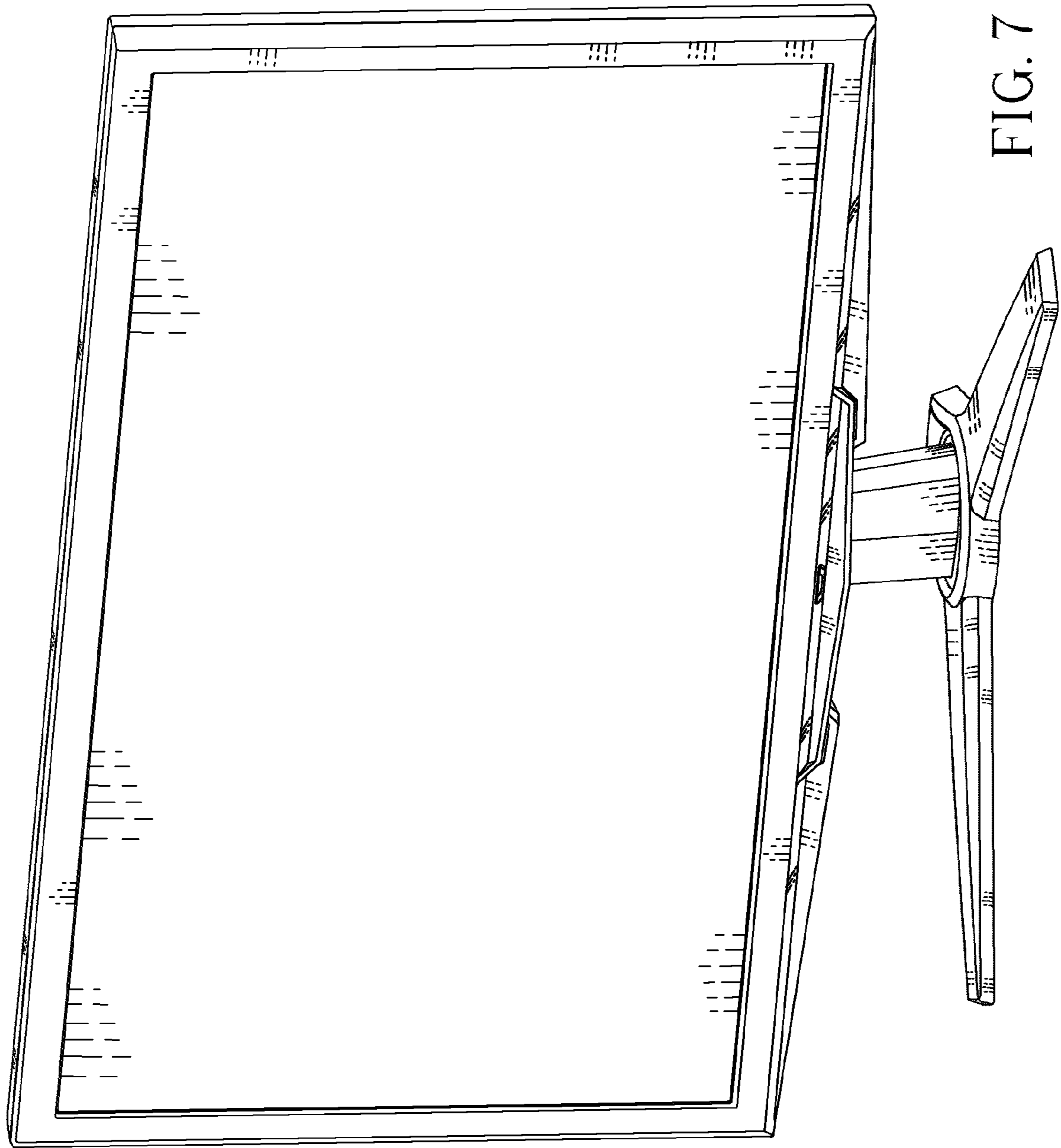


FIG. 7

