



US00D644639S

(12) **United States Design Patent**  
**Weller et al.**

(10) **Patent No.:** **US D644,639 S**

(45) **Date of Patent:** **\*\* Sep. 6, 2011**

(54) **CASE**

(75) Inventors: **Lucas Weller**, Fort Collins, CO (US);  
**Jane Michie**, Wellington, CO (US)

(73) Assignee: **Otter Products, LLC**, Fort Collins, CO  
(US)

(\*\*) Term: **14 Years**

(21) Appl. No.: **29/384,941**

(22) Filed: **Feb. 6, 2011**

(51) **LOC (9) Cl.** ..... **14-03**

(52) **U.S. Cl.** ..... **D14/250**

(58) **Field of Classification Search** ..... D14/250–253,  
D14/440, 203.7, 217, 496, 203.3; D3/201,  
D3/218, 269, 301, 273, 303; D13/103; 220/4.02;  
224/191, 240, 241, 245, 682–683; 248/309.1;  
361/679.56; 379/426, 433.11, 455; 455/575.1,  
455/575.8; 190/100; 206/305, 320  
See application file for complete search history.

(56) **References Cited**

**U.S. PATENT DOCUMENTS**

D574,819	S	*	8/2008	Andre et al.	.....	D3/269
D597,089	S	*	7/2009	Khan et al.	.....	D14/250
D603,389	S	*	11/2009	Khan et al.	.....	D14/250
D603,603	S	*	11/2009	Laine et al.	.....	D3/218
D606,529	S	*	12/2009	Ferrari et al.	.....	D14/250
D609,228	S	*	2/2010	Ferrari et al.	.....	D14/250
D615,536	S	*	5/2010	Richardson et al.	.....	D14/250
D616,361	S	*	5/2010	Huang	.....	D13/103
D617,787	S	*	6/2010	Richardson et al.	.....	D14/250
D619,574	S	*	7/2010	Richardson et al.	.....	D14/250
D621,395	S	*	8/2010	Richardson et al.	.....	D14/250
D621,821	S	*	8/2010	Richardson et al.	.....	D14/250
D622,716	S	*	8/2010	Andre et al.	.....	D14/250
D624,533	S	*	9/2010	Richardson et al.	.....	D14/250
D624,910	S	*	10/2010	Richardson et al.	.....	D14/250
D637,588	S	*	5/2011	Richardson et al.	.....	D14/250
D638,007	S	*	5/2011	Chang	.....	D14/250
2009/0111543	A1	*	4/2009	Tai et al.	.....	455/575.8
2010/0104814	A1	*	4/2010	Richardson et al.	.....	428/156

**OTHER PUBLICATIONS**

OtterBox Defender Series Motorola Bravo, <URL:http://demandware.edgesuite.net/aaez\_prd/on/demandware.static/Sites-otterbox\_us-Site/Sites-masterCatalog\_OtterBox/default/v1305753945112/pdfs/mot2-bravo-info.pdf>, retrieved from internet May 18, 2011.\*

OtterBox LG Optimus Commuter Series Case, <URL:http://www.otterbox.com/LG-Optimus-Commuter-Series-Case/LGX4-OPTIM,default.pd.html?dwvar\_LGX4-OPTIM\_color=20&start=1&cgid=lg-optimus-cases>, retrieved from internet May 18, 2011.\*

Amzer Silicone Skin Jelly Case for Motorola BRAVO MB520, <URL:http://www.shopping.com/Amzer-Amzer-Silicone-Skin-Jelly-Case-for-Motorola-BRAVO-MB520/info>, retrieved from internet May 18, 2011.\*

Cute Silicone Case for LG Optimus MS690, <URL:http://www.alibaba.com/product-gs/380119614/Cute\_Silicone\_Case<sub>13</sub>\_for\_LG\_Optimus.html>, retrieved from internet May 18, 2011.\*

\* cited by examiner

*Primary Examiner* — Rob Spear

*Assistant Examiner* — Carla Jobe Wright

(57) **CLAIM**

The ornamental design for a case, as shown and described.

**DESCRIPTION**

FIG. 1 is a front isometric view of a case showing our new design;

FIG. 2 is a rear isometric view thereof;

FIG. 3 is a front view thereof;

FIG. 4 is a rear view thereof;

FIG. 5 is a left view thereof;

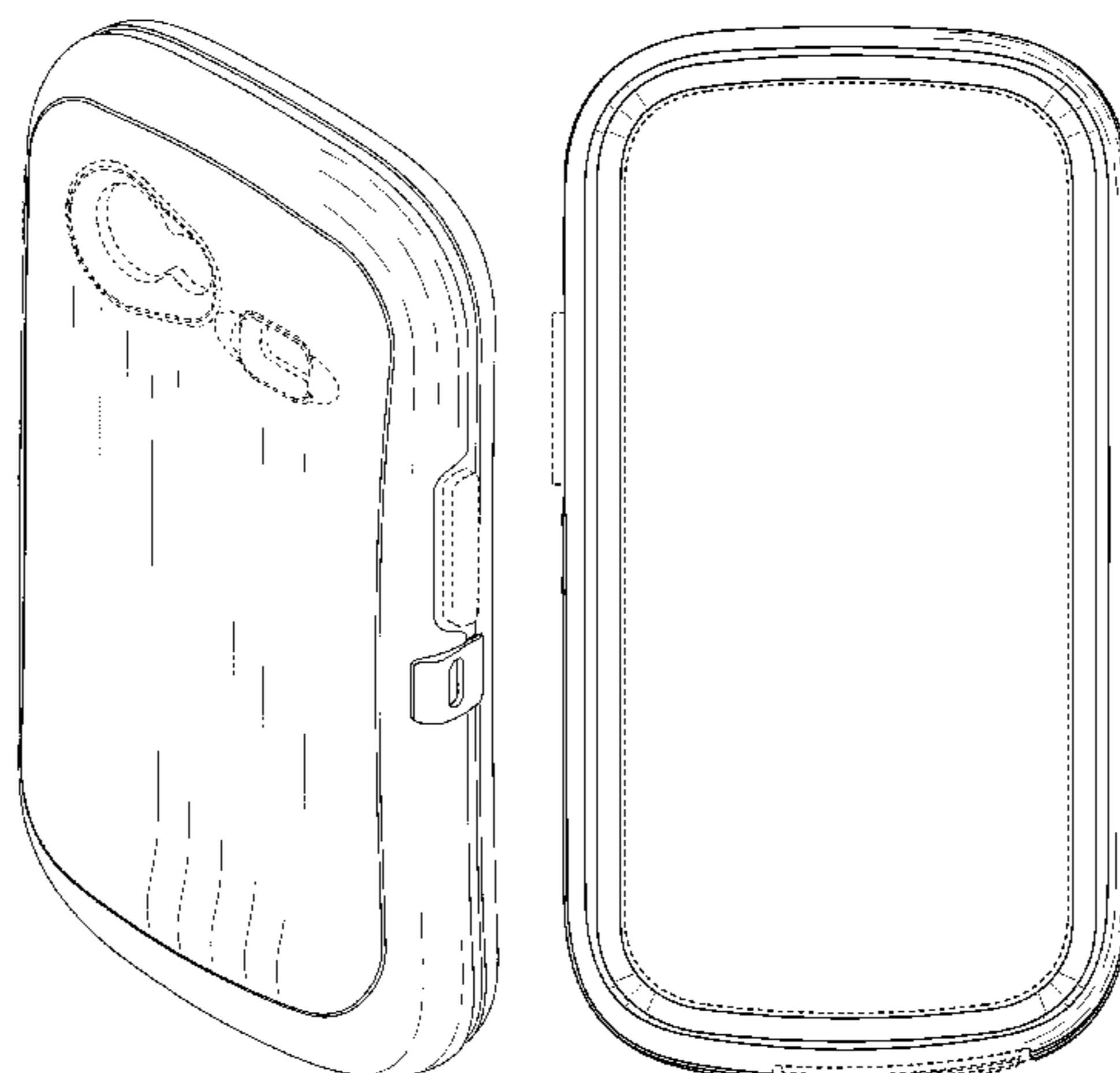
FIG. 6 is a right view thereof;

FIG. 7 is a top view thereof; and,

FIG. 8 is a bottom view thereof.

The broken line perimeter of the large unshaded rectangular region on the front of the case in FIGS. 1 and 3 represents a boundary of the claimed design. All other broken lines depict unclaimed environment. The broken lines and unshaded regions bounded by broken lines form no part of the claimed design.

**1 Claim, 6 Drawing Sheets**



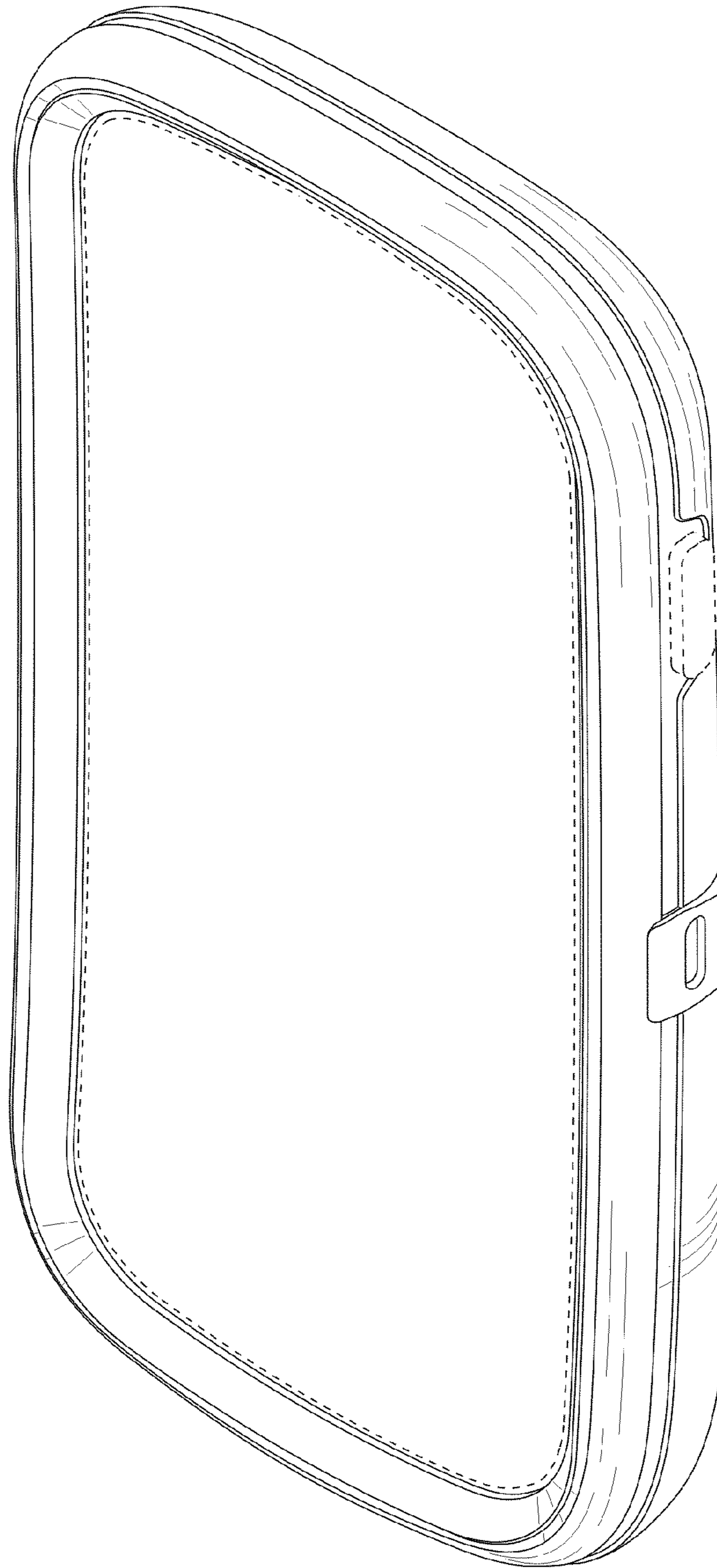


FIG. 1

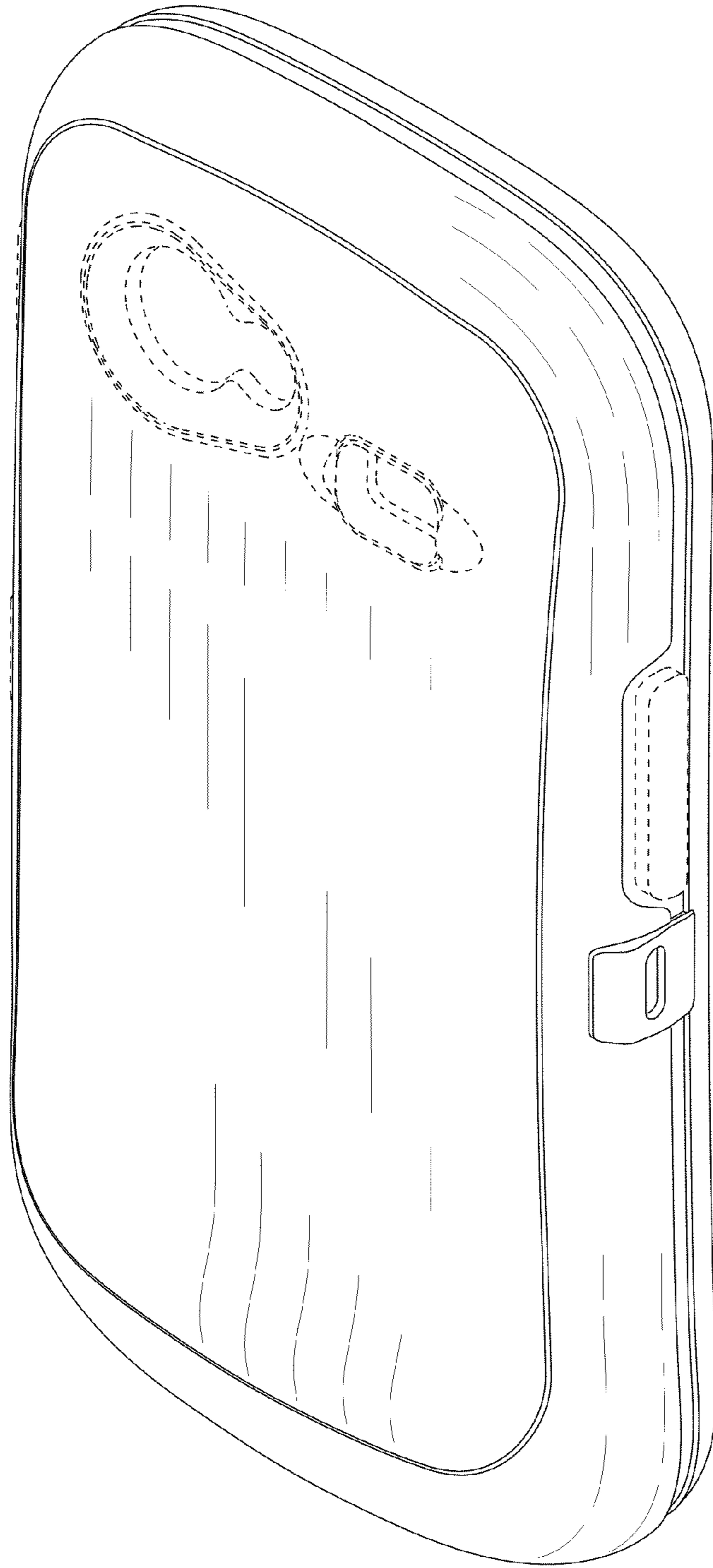


FIG. 2

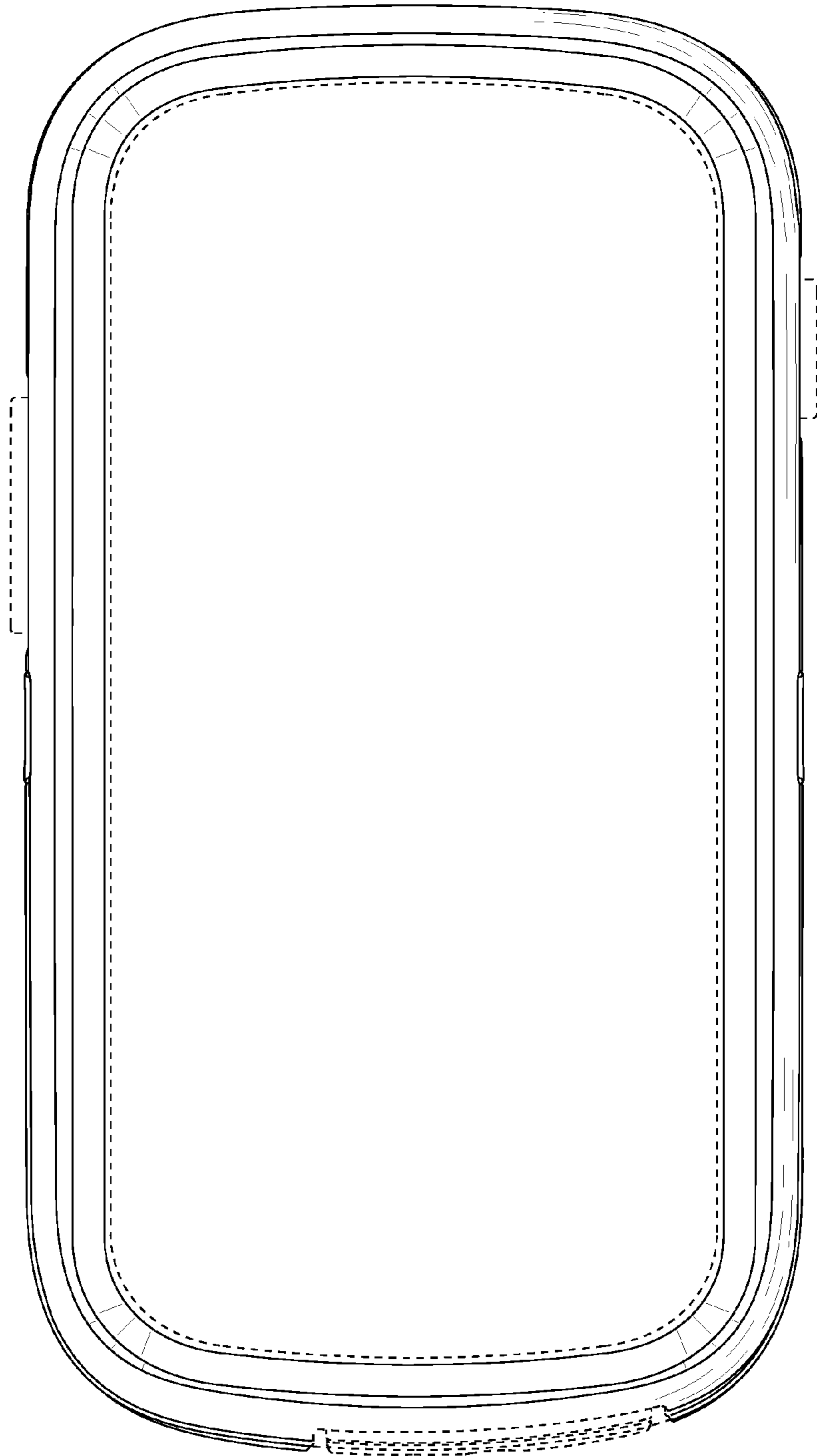


FIG. 3



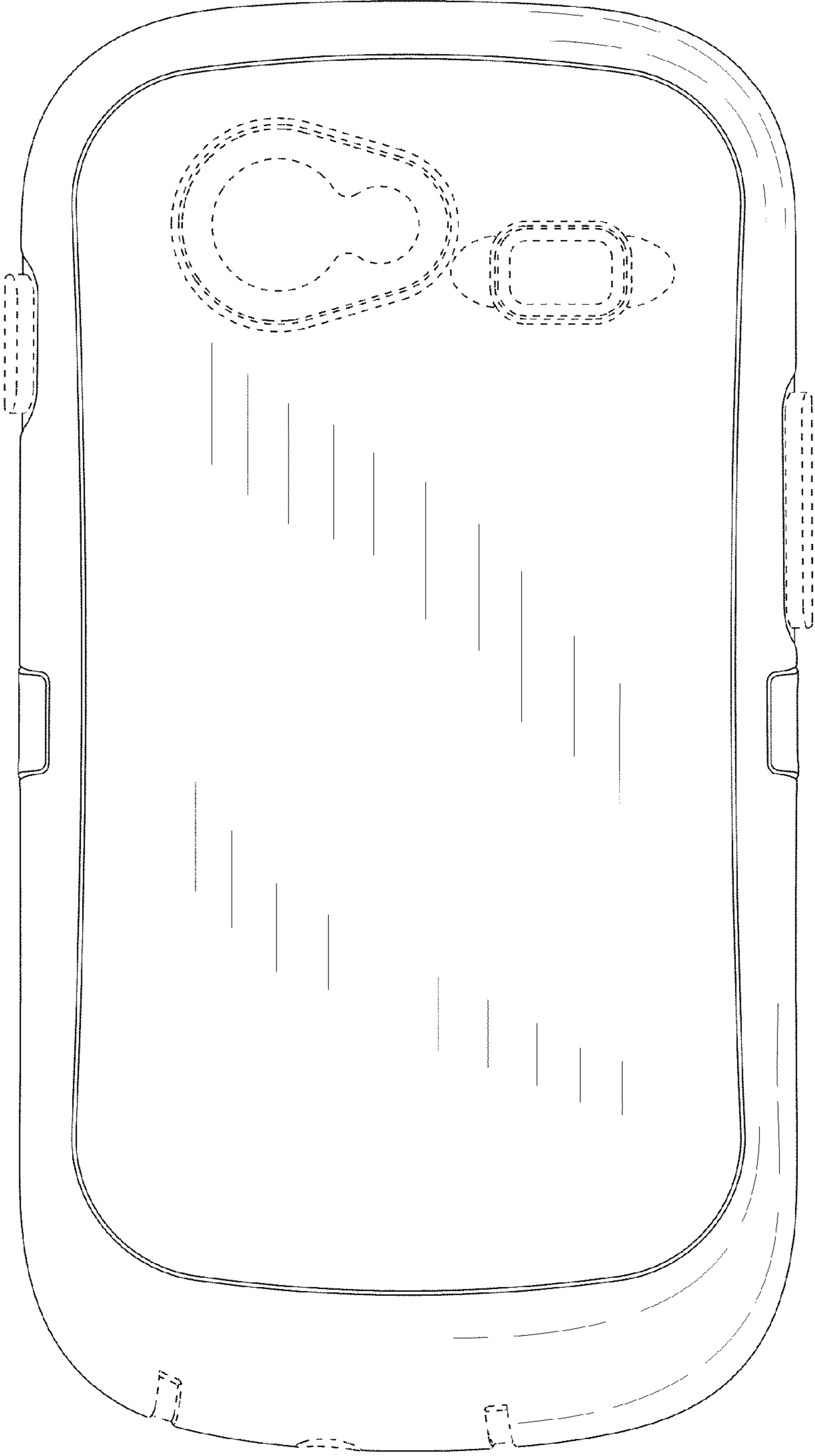


FIG. 4

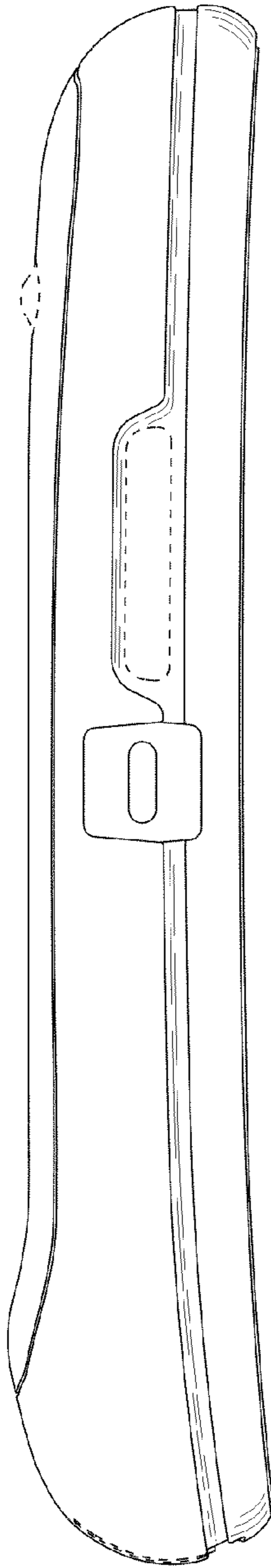


FIG. 5

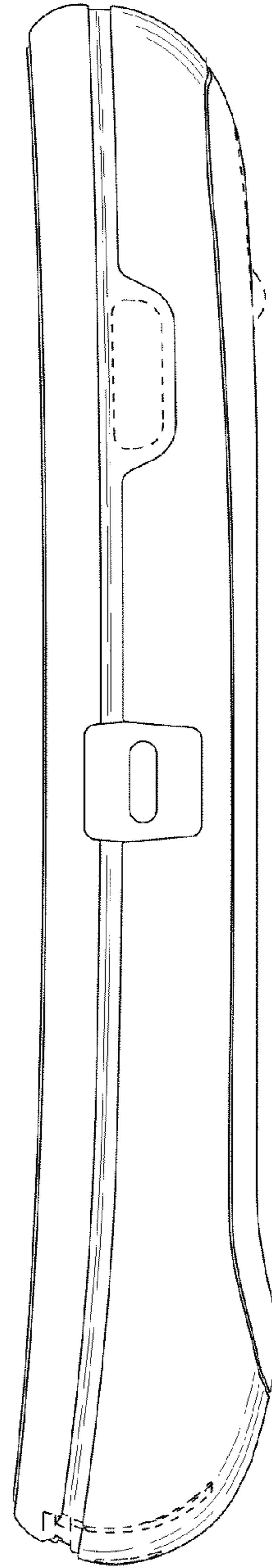


FIG. 6

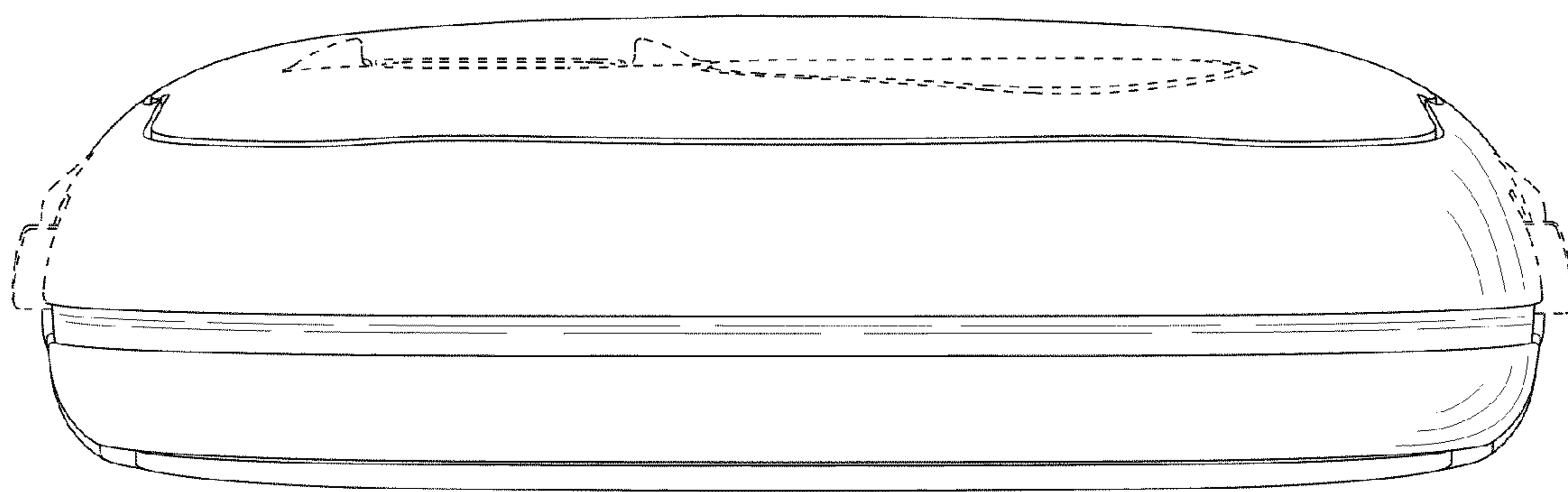


FIG. 7

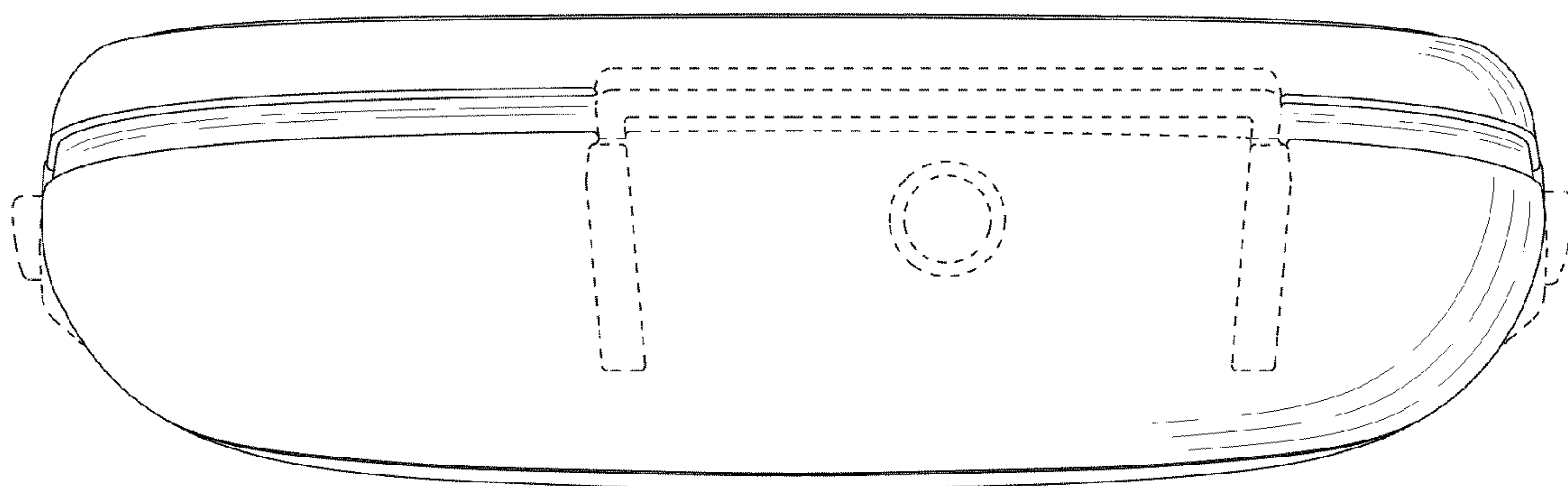


FIG. 8