



US00D644634S

(12) **United States Design Patent**
Cywan et al.

(10) **Patent No.:** **US D644,634 S**

(45) **Date of Patent:** **** Sep. 6, 2011**

(54) **CASING FOR LOUDSPEAKERS**

(56) **References Cited**

(75) Inventors: **Laurent Cywan**, Chartrettes (FR);
Yoann Flavignard, Chartrettes (FR);
Philippe Lesage, Chartrettes (FR); **Jean Meunier**, Chatillon (FR)

U.S. PATENT DOCUMENTS

D225,069 S *	11/1972	May	D14/216
D318,671 S *	7/1991	Naumann	D14/224
D455,733 S *	4/2002	Stompler et al.	D14/224
D456,386 S *	4/2002	Irby et al.	D14/224
D472,891 S *	4/2003	Proni	D14/224

(73) Assignee: **PHL Audio**, Chartrettes (FR)

* cited by examiner

(**) Term: **14 Years**

Primary Examiner — Nanda Bondade

(21) Appl. No.: **29/369,941**

(74) *Attorney, Agent, or Firm* — Sughrue Mion, PLLC

(22) Filed: **Sep. 15, 2010**

(57) **CLAIM**

The ornamental design for a casing for loudspeakers, as shown and described.

(30) **Foreign Application Priority Data**

DESCRIPTION

Mar. 16, 2010 (EP) 001682204-0001

(51) **LOC (9) Cl.** **14-01**

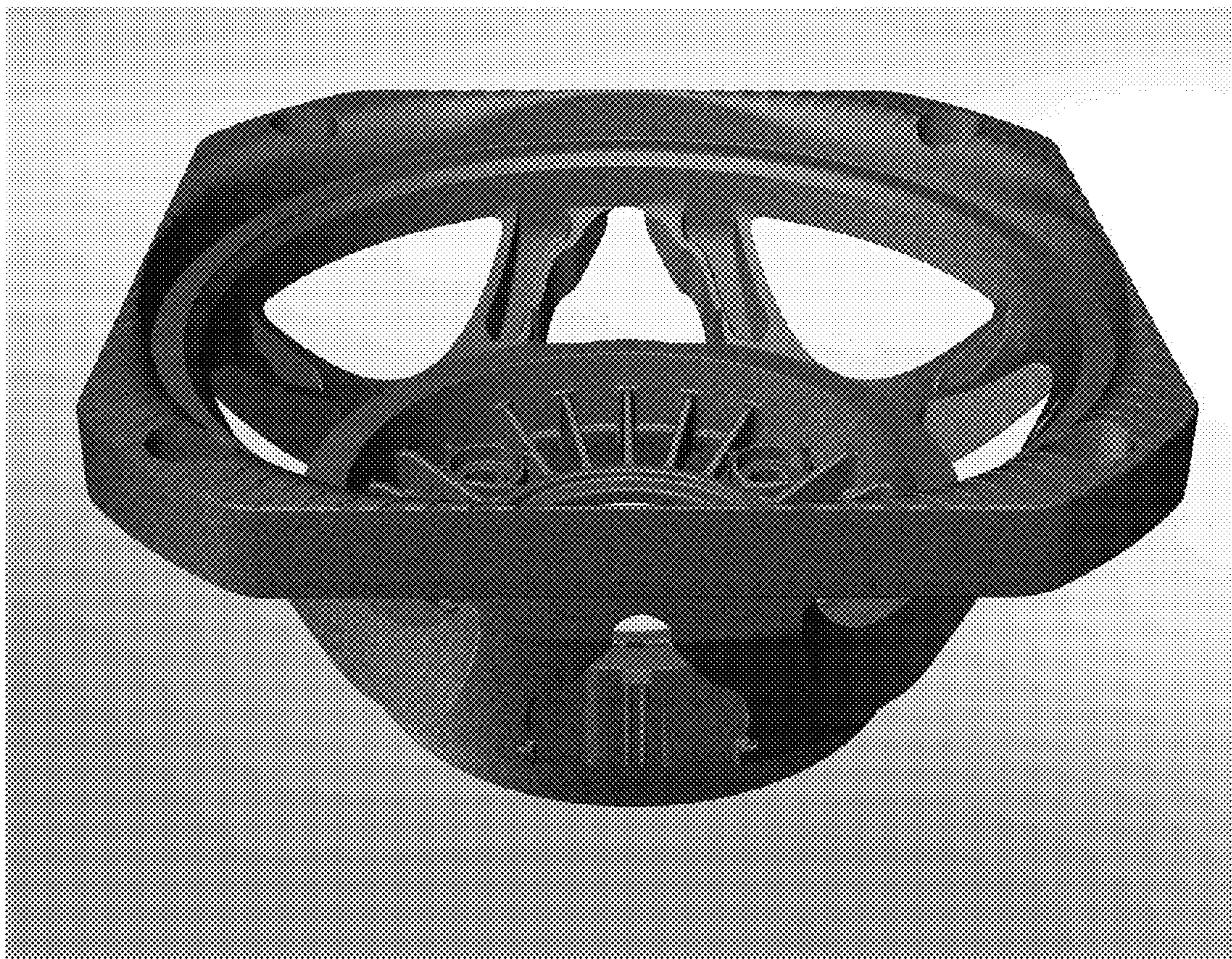
(52) **U.S. Cl.** **D14/224**

(58) **Field of Classification Search** D14/204,
D14/210–216, 221, 222, 224, 172; 181/143–144,
181/147–148, 150–153, 157, 198–199;
381/300–303, 306, 332–333, 336, 345, 361–364,
381/386–388

FIG. 1 is a top front perspective view of our design;
FIG. 2 is a top view of the design;
FIG. 3 is a front view of the design;
FIG. 4 is a side view of the design rotated at 45° from the front;
FIG. 5 is another top perspective view of the design rotated at 45° from the front;
FIG. 6 is a bottom perspective view of the design rotated at 45° from the front; and,
FIG. 7 is a front bottom perspective view of the design.

See application file for complete search history.

1 Claim, 7 Drawing Sheets



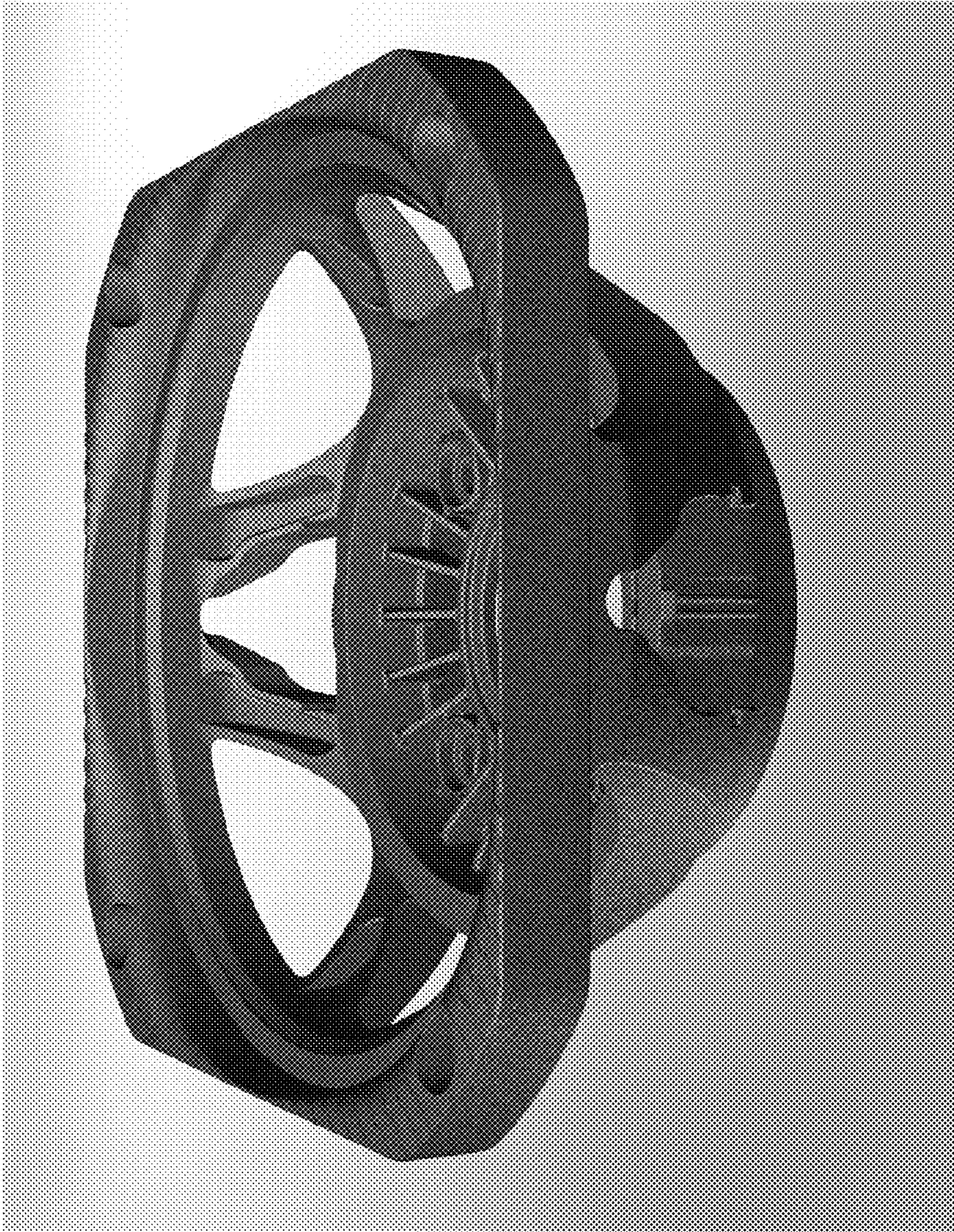


FIG. 1



FIG. 2

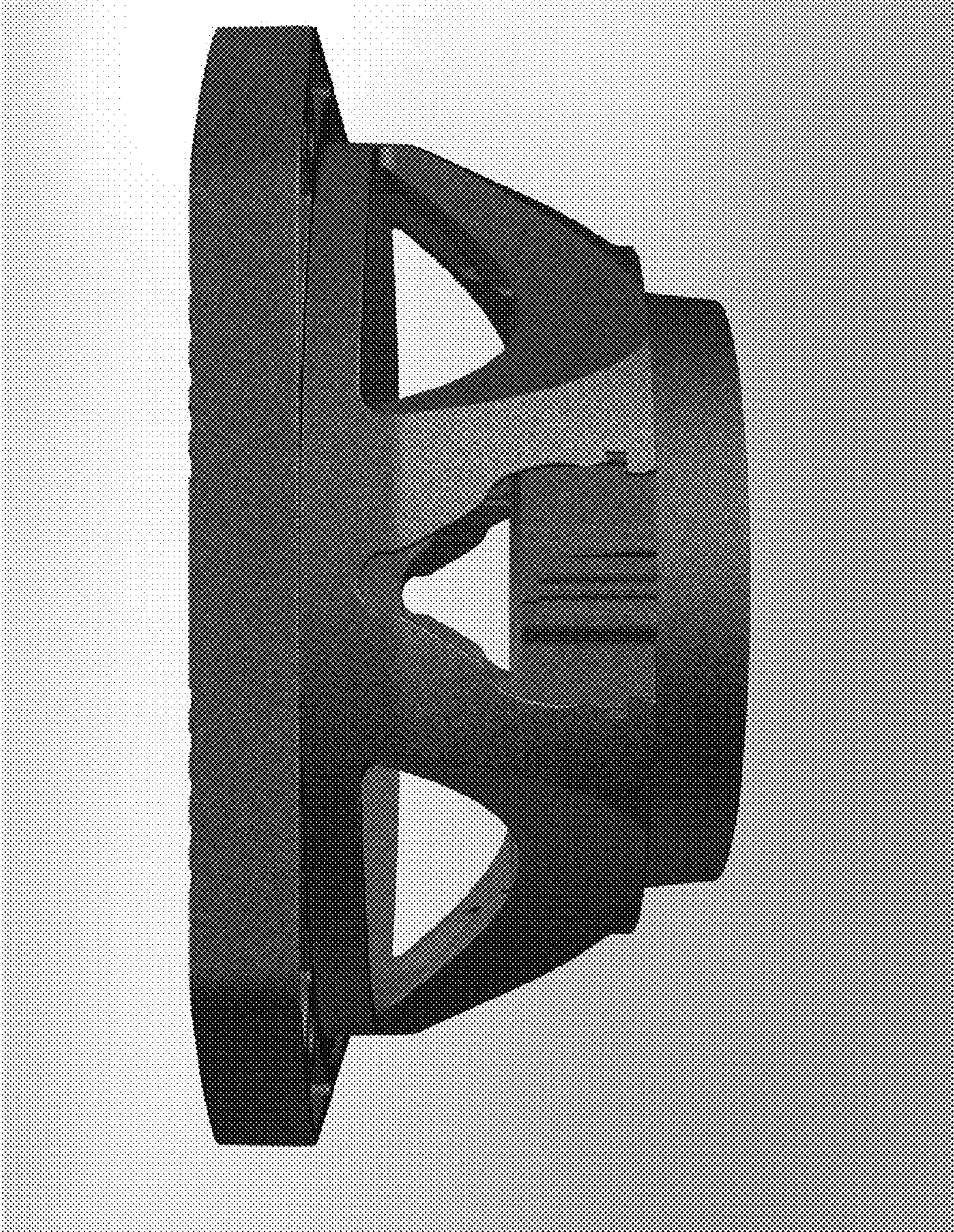


FIG. 3

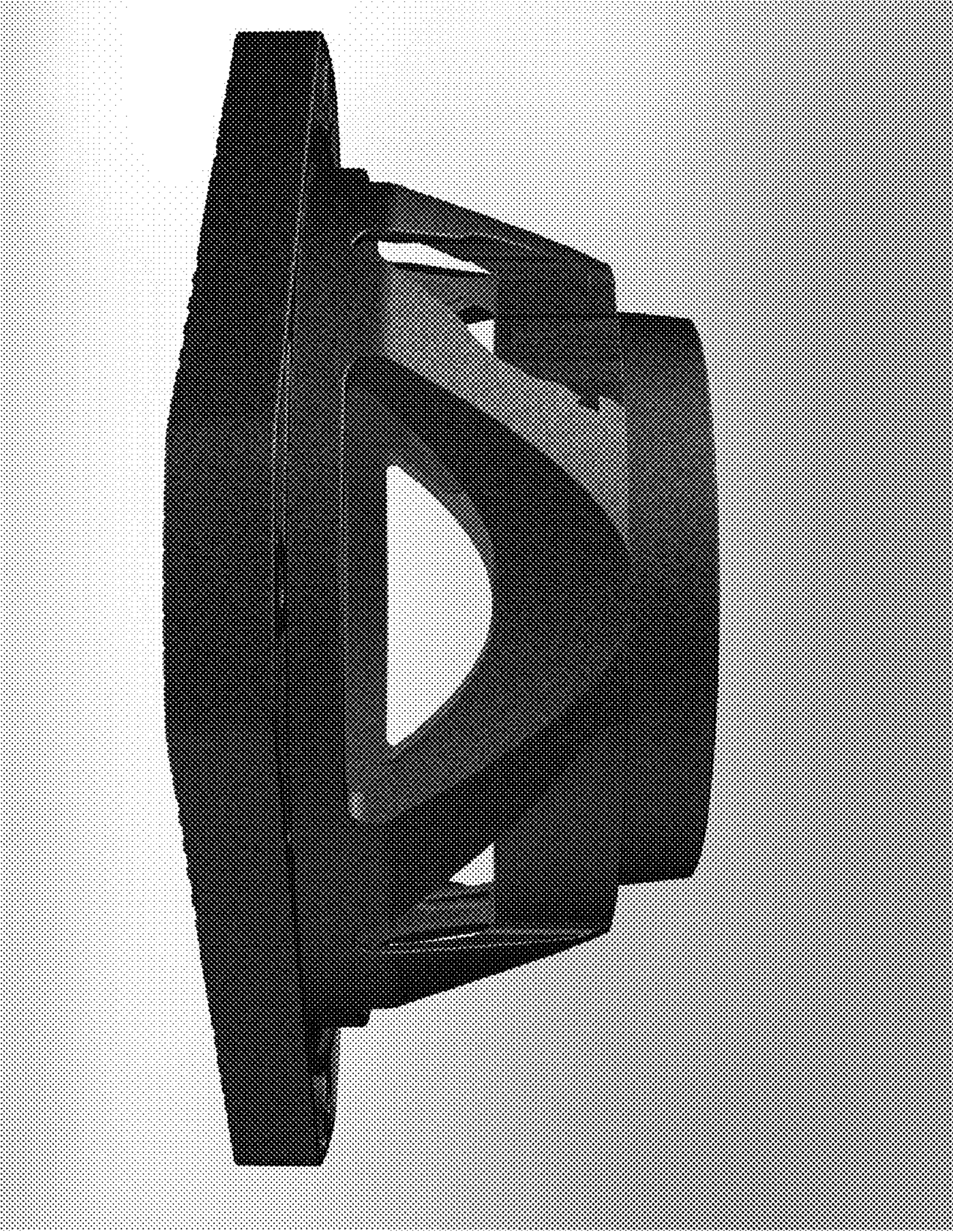


FIG. 4

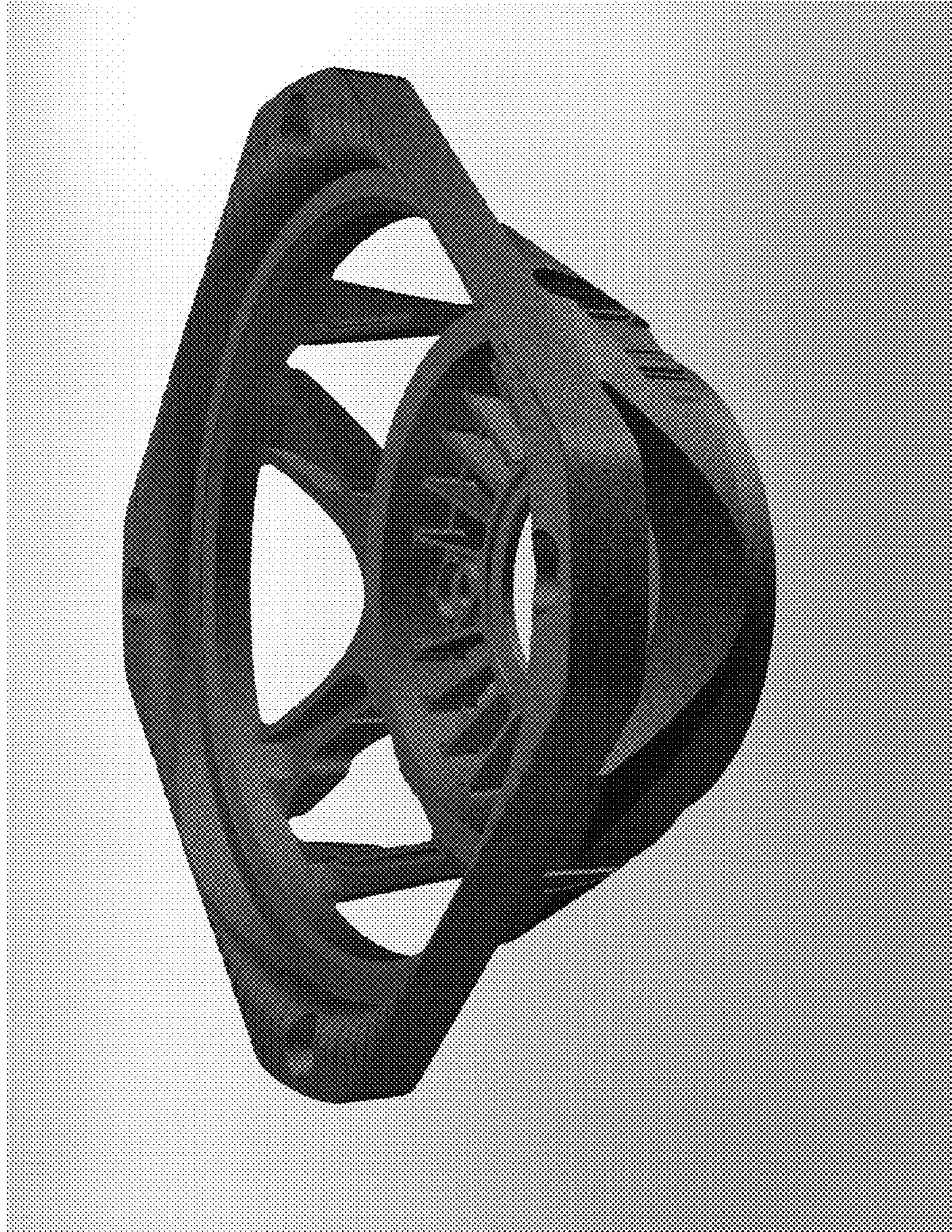


FIG. 5

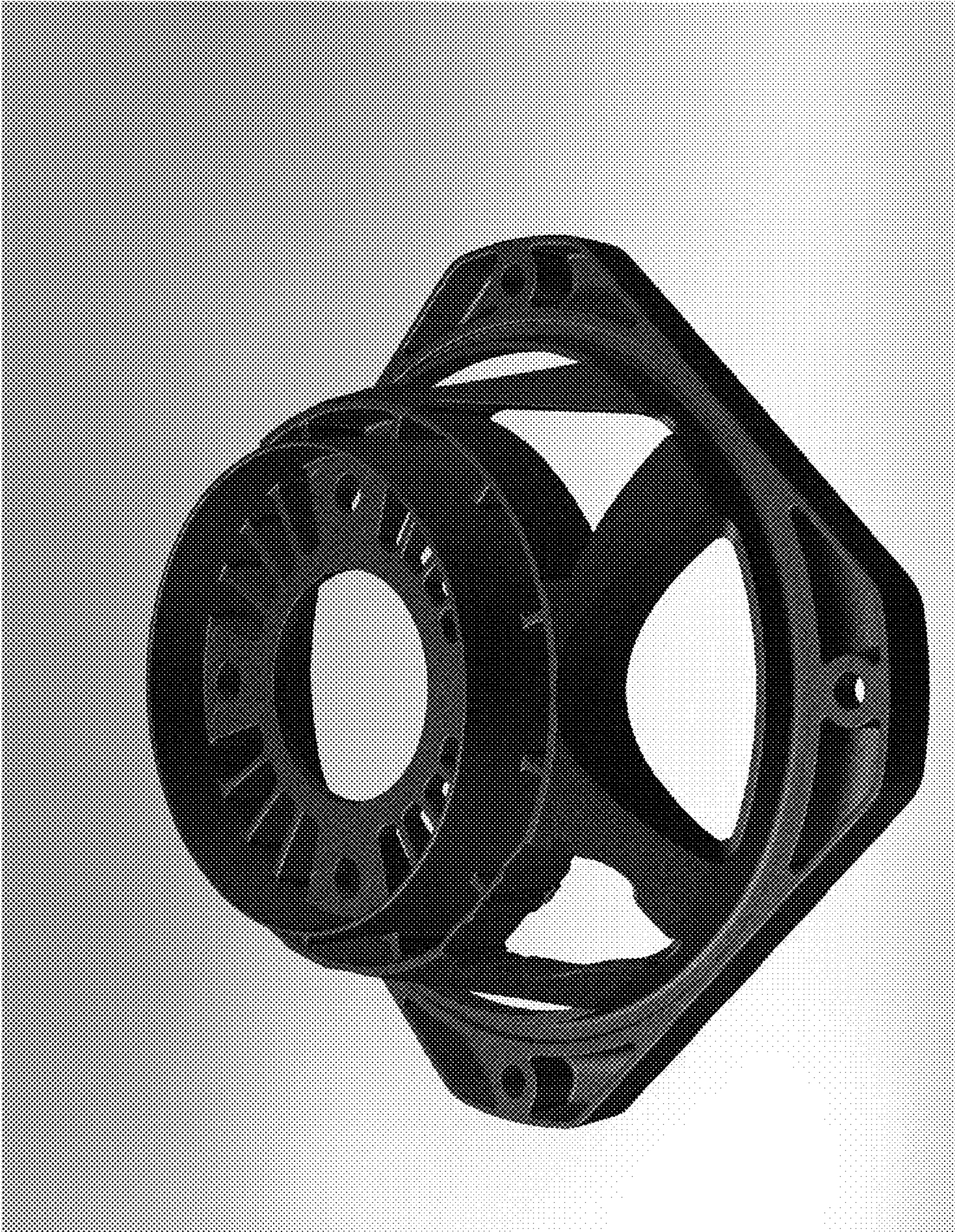


FIG. 6

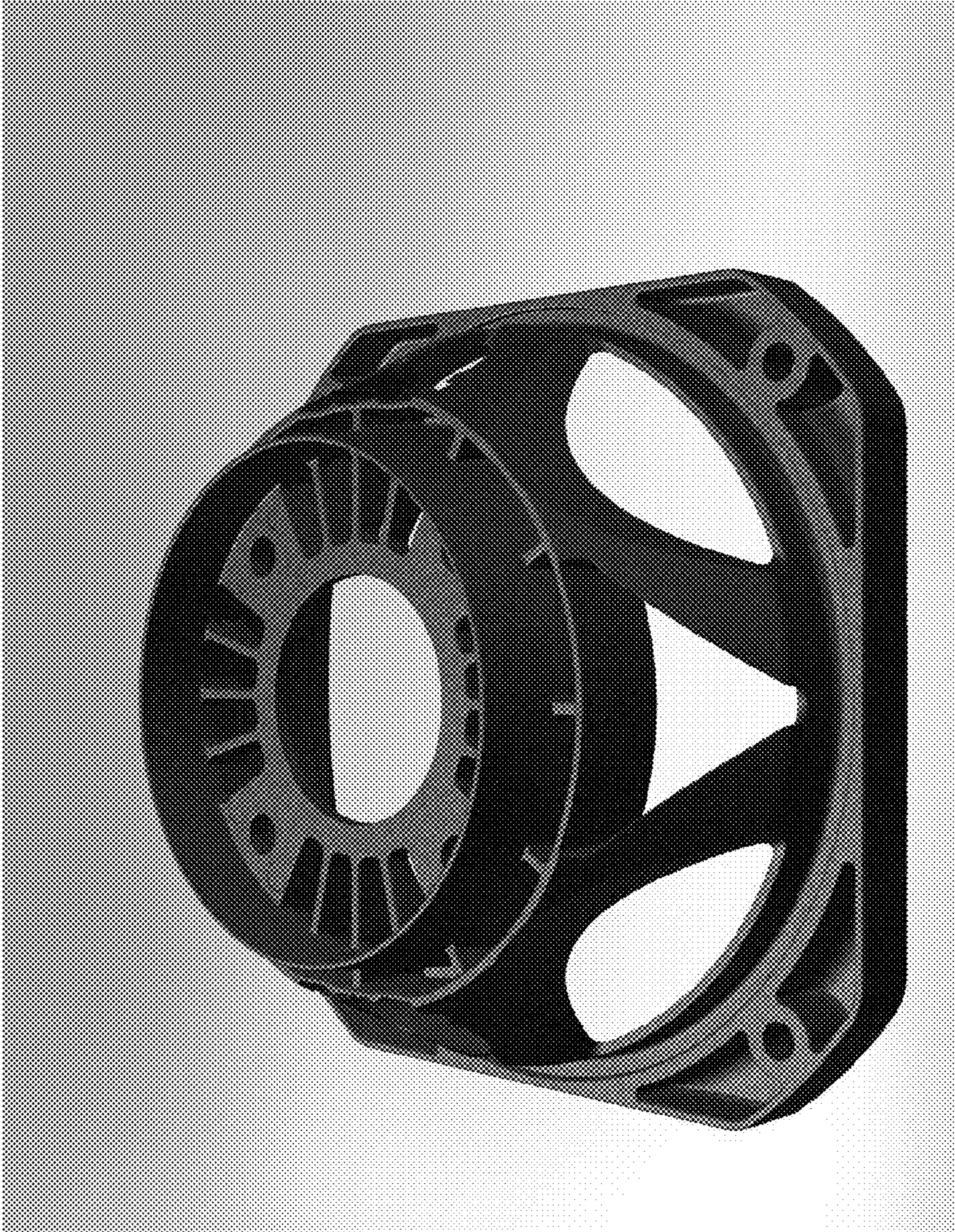


FIG. 7