



US00D644632S

(12) **United States Design Patent**  
**Chiu**

(10) **Patent No.:** **US D644,632 S**

(45) **Date of Patent:** **\*\* Sep. 6, 2011**

(54) **REMOTE CONTROL**

(75) Inventor: **Yi-Chung Chiu**, Taoyuan County (TW)

(73) Assignee: **Hannspree, Inc.**, New Taipei (TW)

(\*\*) Term: **14 Years**

(21) Appl. No.: **29/388,383**

(22) Filed: **Mar. 29, 2011**

(51) **LOC (9) Cl.** ..... **14-03**

(52) **U.S. Cl.** ..... **D14/218**

(58) **Field of Classification Search** ..... D14/218,  
D14/455; D13/168; D21/566; D10/104,  
D10/106; 345/169; 348/14.05, 114, 211.99,  
348/734; 340/825.24; 341/22; 455/92, 95,  
455/128, 151.1–151.4, 352, 355, FOR. 121;  
700/65

See application file for complete search history.

(56) **References Cited**

**U.S. PATENT DOCUMENTS**

D415,115 S *	10/1999	Kawashima	.....	D13/168
D415,735 S *	10/1999	Zuege	.....	D13/168
D453,503 S *	2/2002	Fitzsimmons et al.	.....	D13/168
D460,052 S *	7/2002	Olen	.....	D13/168
D479,510 S *	9/2003	Wei	.....	D13/168
D482,006 S *	11/2003	Stekelenburg	.....	D13/168
D482,336 S *	11/2003	Stekelenburg	.....	D13/168
D498,749 S *	11/2004	Borsboom	.....	D14/218
D525,947 S *	8/2006	Gerard et al.	.....	D13/168
D527,724 S *	9/2006	Lin	.....	D14/218
D551,218 S *	9/2007	Cassina et al.	.....	D14/230

D560,173 S *	1/2008	Chang	.....	D13/168
D573,981 S *	7/2008	Hoehn et al.	.....	D14/218
D576,960 S *	9/2008	Aldape et al.	.....	D13/168
D610,555 S *	2/2010	Chiu	.....	D13/168
D616,421 S *	5/2010	Chiu	.....	D14/218
D619,546 S *	7/2010	Chiu	.....	D13/168
D624,903 S *	10/2010	Wlotzka	.....	D14/218
D635,557 S *	4/2011	Chiu	.....	D14/218

\* cited by examiner

*Primary Examiner* — Celia Murphy

*Assistant Examiner* — John Windmuller

(74) *Attorney, Agent, or Firm* — Morris Manning Martin LLP; Tim Tingkang Xia, Esq.

(57) **CLAIM**

The ornamental design for a remote control, as shown and described.

**DESCRIPTION**

FIG. 1 is a front perspective view of a remote control showing the design;

FIG. 2 is a front view thereof;

FIG. 3 is a rear view thereof;

FIG. 4 is a left side view thereof;

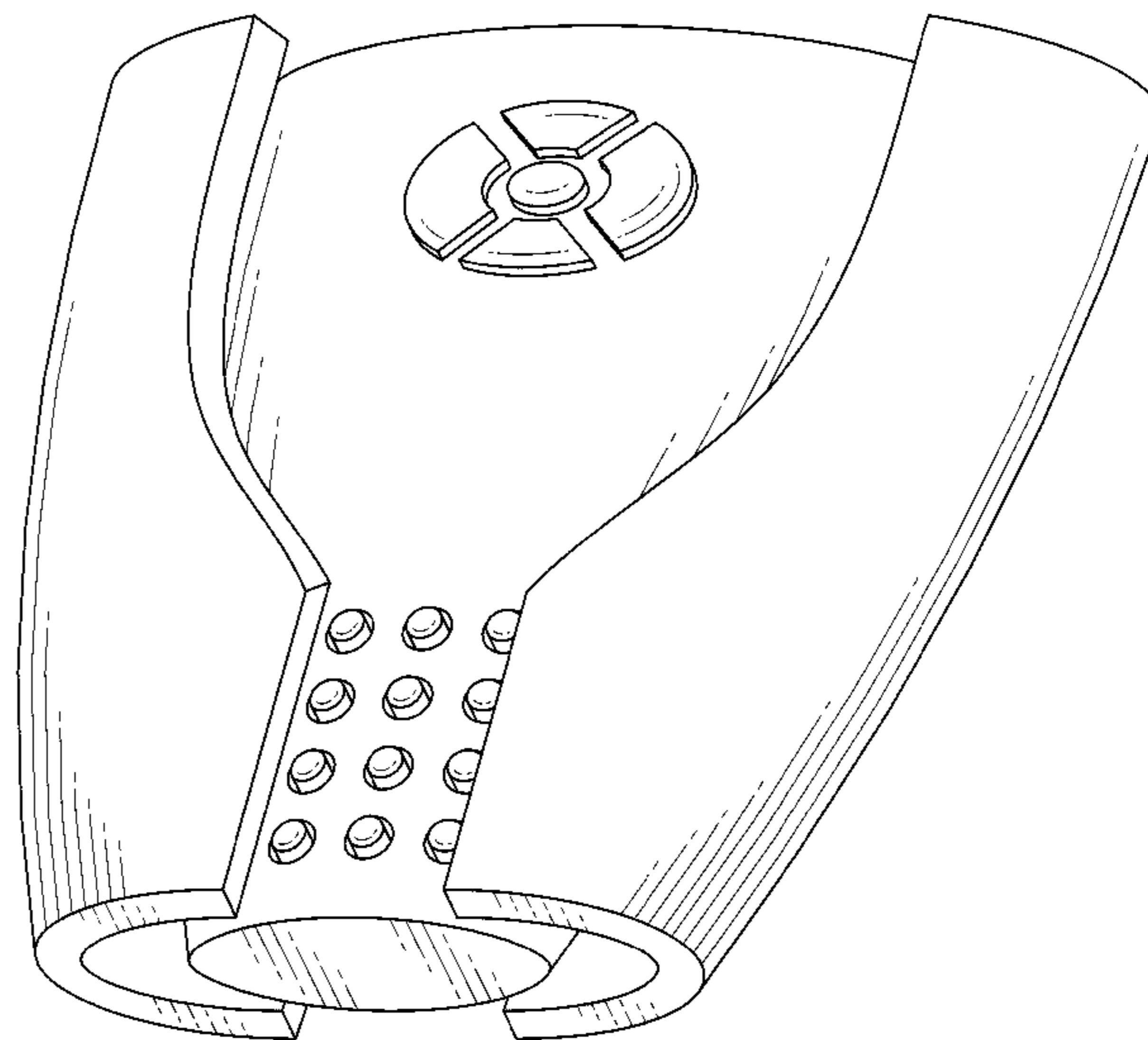
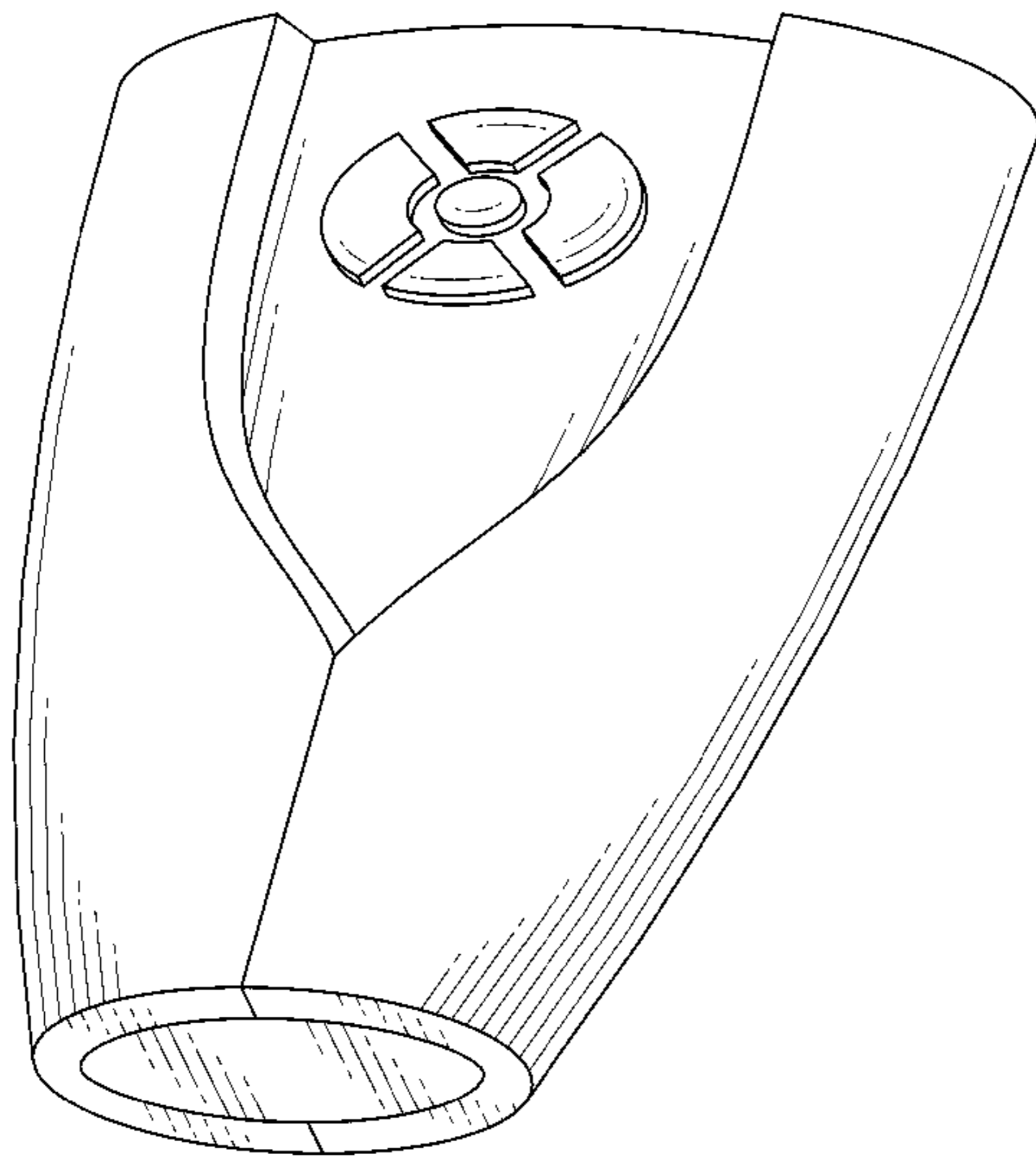
FIG. 5 is a right side view thereof;

FIG. 6 is a top view thereof;

FIG. 7 is a bottom view thereof; and,

FIG. 8 is a perspective view thereof in an alternate position of use.

**1 Claim, 8 Drawing Sheets**



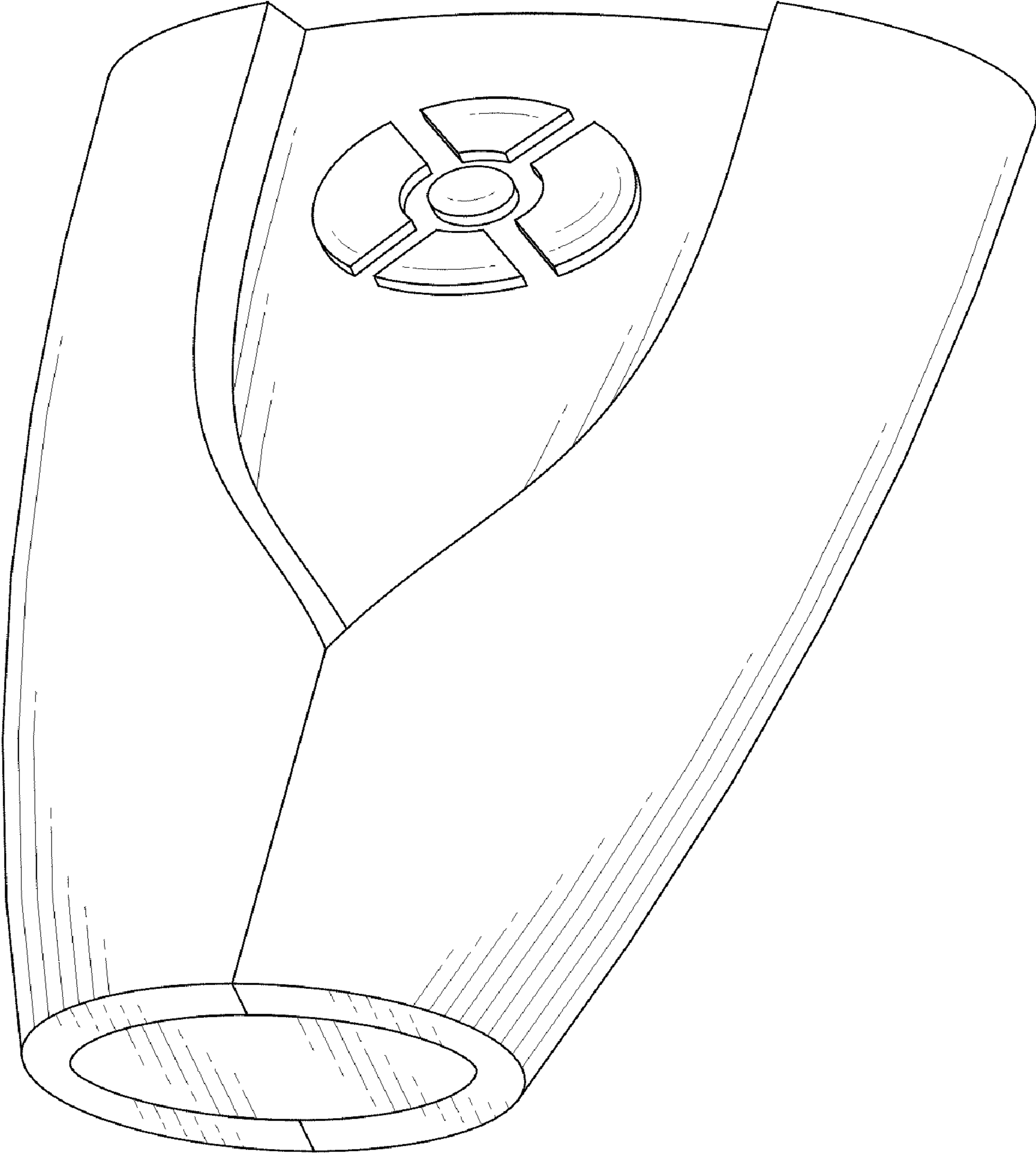


FIG. 1

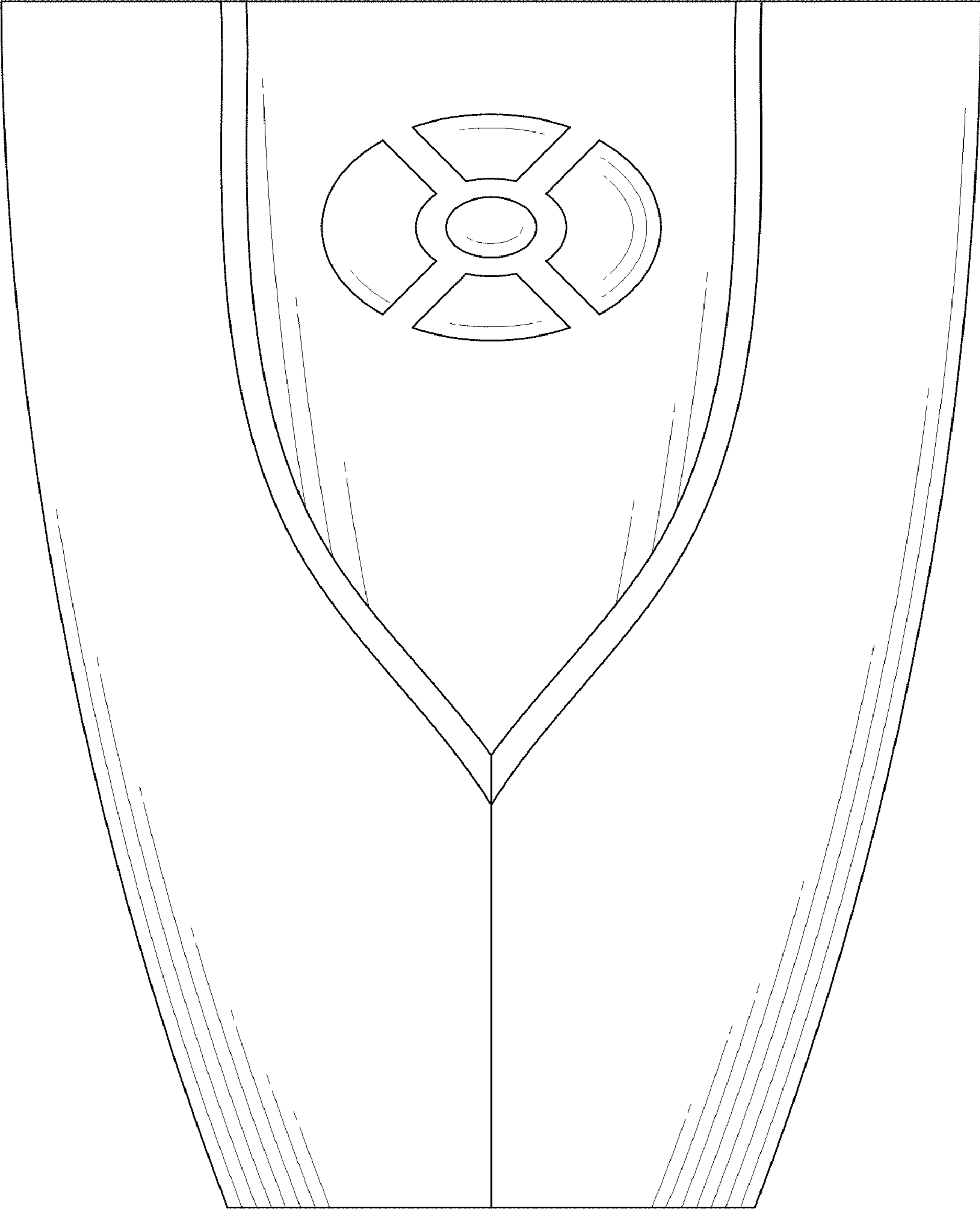


FIG. 2

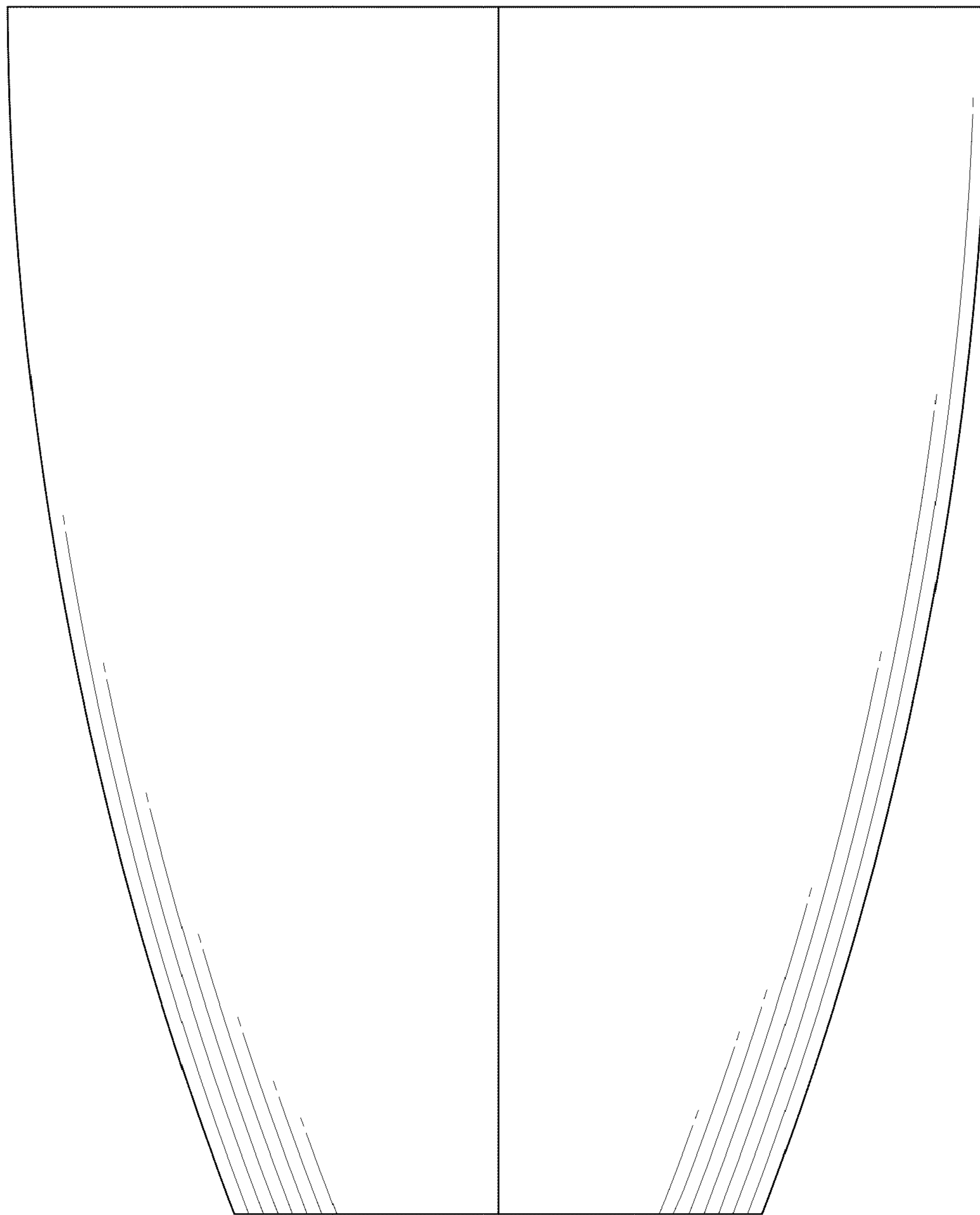


FIG. 3



FIG. 4

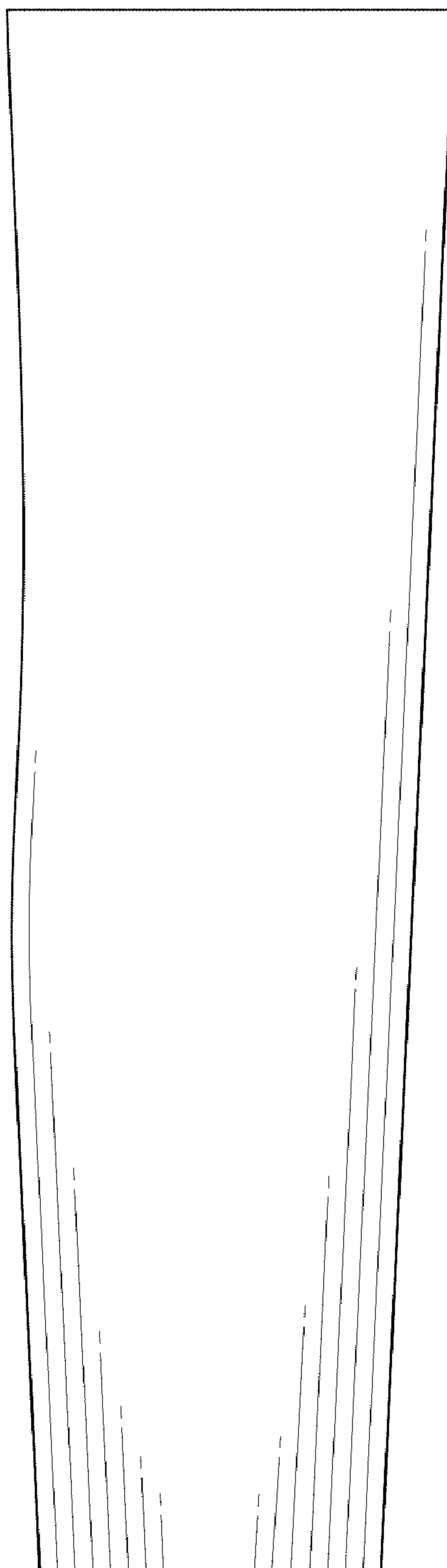


FIG. 5

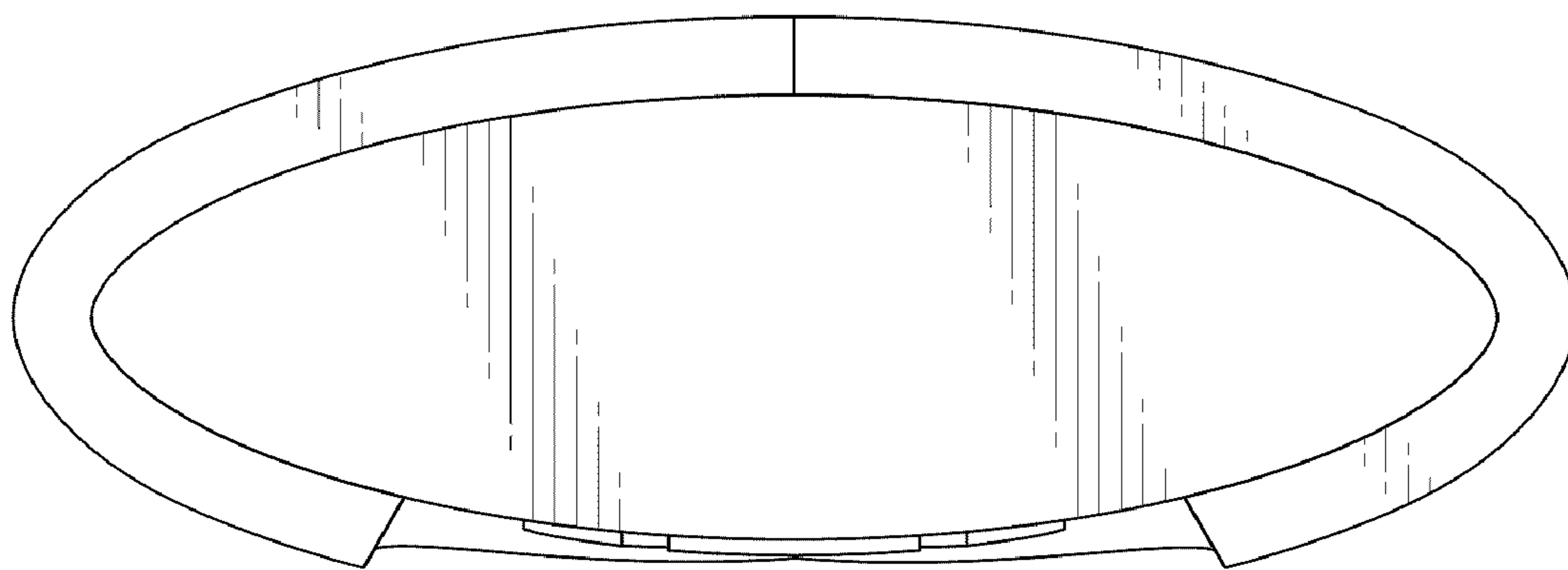


FIG. 6

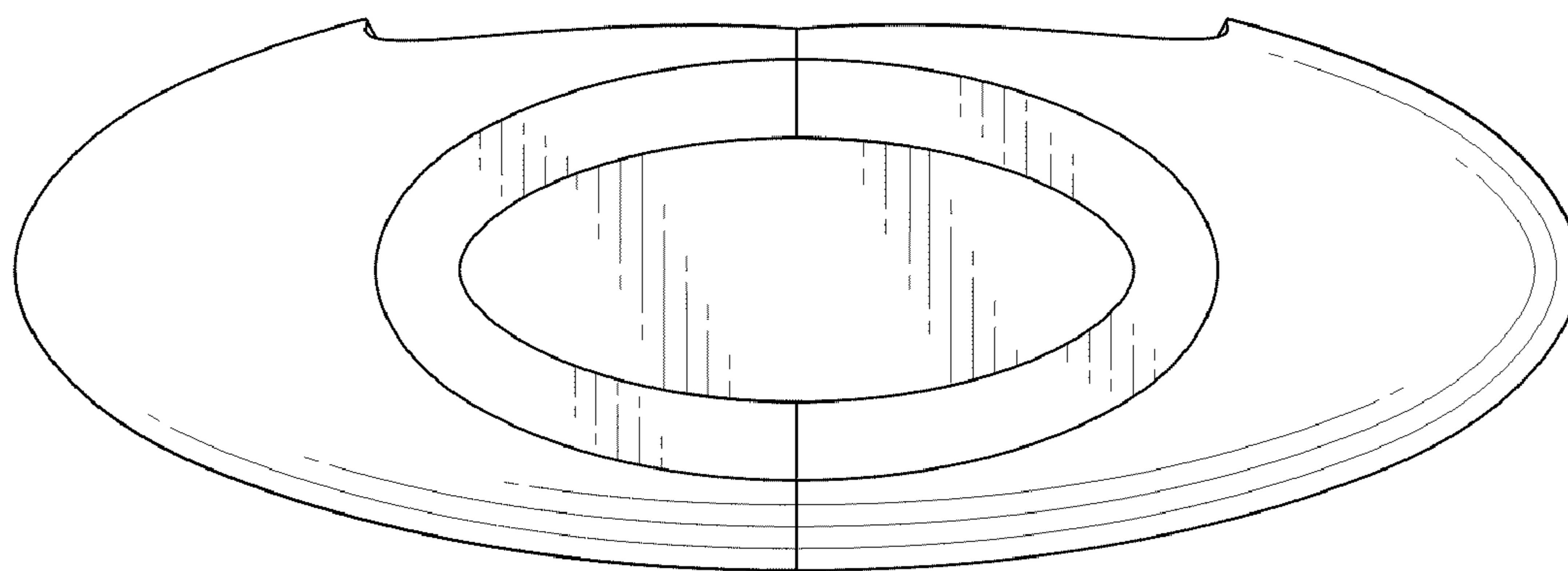


FIG. 7



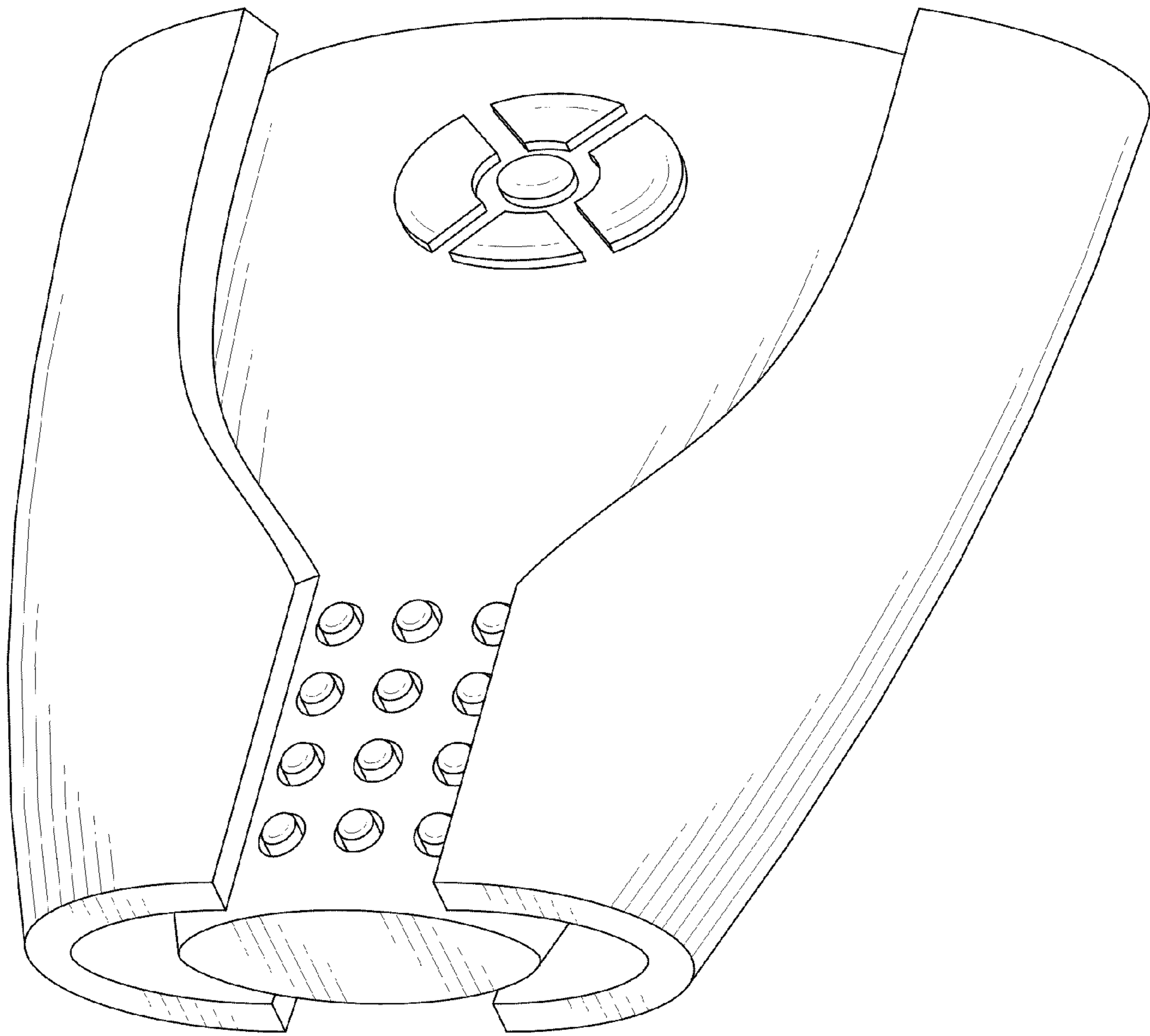


FIG. 8