



US00D644630S

(12) **United States Design Patent**
Harden et al.

(10) **Patent No.:** **US D644,630 S**
(45) **Date of Patent:** **** Sep. 6, 2011**

(54) **HANDSET**

(75) Inventors: **Daniel K. Harden**, Palo Alto, CA (US);
Christopher L. Whittall, Los Gatos, CA
(US); **Ariel D. Turgel**, San Francisco,
CA (US); **Chang Fan Chen**, San Jose,
CA (US); **Jaime F. Guerrero**, San
Francisco, CA (US)

D369,163 S 4/1996 Leung et al.
D369,358 S 4/1996 Estevez-Alcolado et al.
D381,634 S 7/1997 Yanku
D385,263 S 10/1997 Taylor
D385,541 S 10/1997 Taylor
D394,266 S 5/1998 Hogenbirk

(Continued)

FOREIGN PATENT DOCUMENTS

(73) Assignee: **Cisco Technology, Inc.**, San Jose, CA
(US)

EP 1221725-0001 6/2010

(Continued)

(**) Term: **14 Years**

OTHER PUBLICATIONS

(21) Appl. No.: **29/363,160**

U.S. Appl. No. 29/352,370, filed Dec. 19, 2009, entitled "Set-Top
Unit," Inventor(s): Daniel K. Harden et al.

(22) Filed: **Jun. 4, 2010**

(Continued)

Related U.S. Application Data

(62) Division of application No. 29/352,374, filed on Dec.
19, 2009, now Pat. No. Des. 618,217.

Primary Examiner — Celia Murphy
Assistant Examiner — John Windmuller

(74) *Attorney, Agent, or Firm* — Patent Capital Group

(51) **LOC (9) Cl.** **14-03**

(52) **U.S. Cl.** **D14/218**

(58) **Field of Classification Search** D14/218,
D14/455; D13/168; D21/566; D10/104,
D10/106; 345/169; 348/14.05, 114, 211.99,
348/734; 340/825.24; 341/22; 455/92, 95,
455/128, 151.1–151.4, 352, 355, FOR. 121;
700/65

See application file for complete search history.

(57) **CLAIM**

The ornamental design for a handset, as shown and described.

DESCRIPTION

This Design Application is related to co-pending design
application Ser. No. 29/363,157, filed Jun. 4, 2010, entitled
"Handset". The disclosure of these design applications are
considered part of and are incorporated by reference.

FIG. 1 is a top perspective view of a handset showing our new
design;

FIG. 2 is a front view thereof;

FIG. 3 is a rear view thereof;

FIG. 4 is a right side view thereof;

FIG. 5 is a left side view thereof;

FIG. 6 is a top view thereof; and,

FIG. 7 is a bottom view thereof.

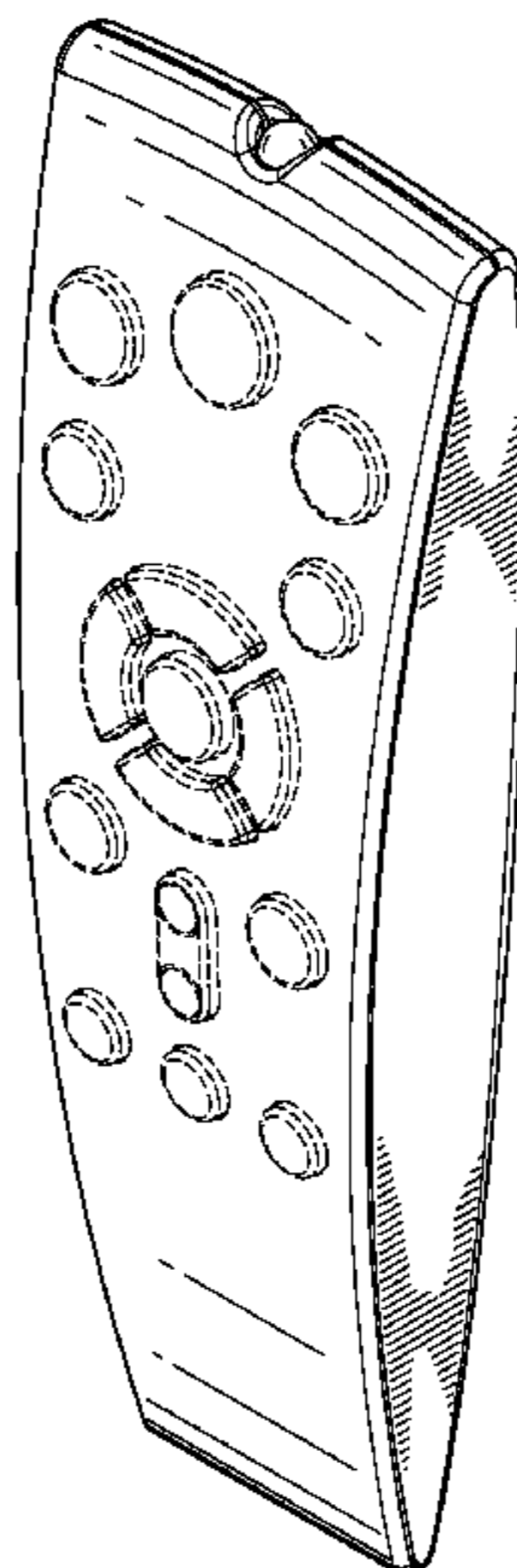
The broken lines of the preceding Figures illustrate a bound-
ary and, further, the broken lines are for illustration only and
form no part of the claimed design.

(56) **References Cited**

U.S. PATENT DOCUMENTS

D210,668 S 4/1968 Janda
D297,009 S 8/1988 Grambush et al.
D298,751 S 11/1988 Shin
D326,449 S 5/1992 Wachob et al.
D348,062 S 6/1994 Iseli et al.
D348,667 S 7/1994 Oksman et al.
D352,282 S 11/1994 Toh et al.
D365,102 S 12/1995 Gioscia
D367,061 S 2/1996 Davison
D368,892 S 4/1996 Tanaka

1 Claim, 5 Drawing Sheets



U.S. PATENT DOCUMENTS

D395,281 S 6/1998 Waldner
 D395,312 S 6/1998 Parsadayan et al.
 D406,142 S 2/1999 Meurer
 D407,703 S 4/1999 Stokes
 D412,168 S 7/1999 Phillips et al.
 D416,016 S 11/1999 Hughes et al.
 D423,509 S 4/2000 Park
 6,049,192 A 4/2000 Kfoury et al.
 D426,232 S 6/2000 Silbermann et al.
 D426,808 S 6/2000 Hsiao
 D427,966 S 7/2000 Foster et al.
 D430,861 S 9/2000 Lytel
 D436,588 S * 1/2001 Nakayama et al. D14/218
 D437,310 S 2/2001 Gioscia
 D438,188 S 2/2001 Peiker
 D451,498 S 12/2001 Rossel
 D454,332 S 3/2002 Yokoyama
 D458,250 S 6/2002 Kim et al.
 D458,915 S 6/2002 Shintani
 D459,332 S 6/2002 Peiker
 D472,235 S 3/2003 Chen
 D473,220 S 4/2003 Smith et al.
 D473,550 S 4/2003 Ribeiro et al.
 D474,455 S 5/2003 Arbisi
 D475,346 S 6/2003 McCurrach et al.
 D478,074 S 8/2003 Lam
 D478,324 S 8/2003 O'Neil
 D480,375 S 10/2003 Cebe et al.
 D481,032 S 10/2003 Sinclair
 6,633,641 B1 10/2003 Mushika et al.
 D483,353 S 12/2003 Hyogo
 D485,827 S 1/2004 Olson et al.
 D485,828 S 1/2004 Olson et al.
 D491,922 S 6/2004 Poulet
 D494,230 S 8/2004 Allen
 D498,748 S * 11/2004 Borsboom D14/218
 D501,205 S 1/2005 Quinn
 D517,036 S 3/2006 Himmel
 D517,532 S 3/2006 Chen
 D524,277 S 7/2006 Surtouc
 D524,278 S 7/2006 Hsiung
 D524,281 S 7/2006 Franck et al.
 D524,298 S * 7/2006 Hedderich et al. D14/218
 D524,376 S 7/2006 Kim et al.
 D531,136 S 10/2006 Schoenert et al.
 D531,586 S * 11/2006 Poulet D13/168
 D531,963 S * 11/2006 Tajima D13/168
 D531,964 S 11/2006 Peh
 D531,993 S 11/2006 Choi et al.
 D532,775 S 11/2006 Ikeda et al.
 D534,146 S 12/2006 Stilp et al.
 D534,502 S 1/2007 Poulet et al.
 D534,519 S 1/2007 Stilp et al.
 D535,276 S 1/2007 Franck et al.
 D538,788 S 3/2007 Reimann et al.
 D541,245 S 4/2007 Fiorio
 D541,261 S 4/2007 Ikeda et al.
 D541,786 S 5/2007 Ookawa
 D542,765 S 5/2007 Cho et al.
 D546,807 S 7/2007 Lee
 D550,211 S 9/2007 Ikeda et al.
 D555,107 S 11/2007 Choi et al.
 D558,707 S 1/2008 Travis et al.
 D559,202 S 1/2008 Sim et al.
 D563,948 S 3/2008 d'Hoore

D566,667 S 4/2008 Whittaker et al.
 D566,668 S 4/2008 Whittaker et al.
 D569,823 S 5/2008 Lyles et al.
 D571,743 S 6/2008 Tu
 D573,971 S 7/2008 Hikino et al.
 D573,982 S * 7/2008 Monsky D14/218
 D574,355 S 8/2008 Okawa et al.
 D575,316 S 8/2008 Liu et al.
 D577,693 S 9/2008 King et al.
 D579,871 S 11/2008 Hsiao
 D583,366 S 12/2008 Chen
 D587,707 S 3/2009 Maiers et al.
 D590,395 S 4/2009 Heggland
 D597,059 S 7/2009 Haspil et al.
 D598,408 S * 8/2009 Arnold D14/138 R
 D598,436 S 8/2009 Tseng
 D605,634 S 12/2009 Lewis et al.
 D606,034 S 12/2009 Suzuki
 D607,432 S 1/2010 Waterman et al.
 D611,462 S 3/2010 McGuire
 D615,958 S 5/2010 Tkachuk et al.
 D618,657 S 6/2010 Sakamoto
 D618,658 S 6/2010 Sakamoto et al.
 D634,726 S * 3/2011 Harden et al. D14/147
 D636,761 S * 4/2011 Hansen et al. D14/218
 2008/0204978 A1 8/2008 Haspil et al.

FOREIGN PATENT DOCUMENTS

EP 1221725-0002 6/2010
 EP 1221725-0003 6/2010
 WO DM/068600 2/2007

OTHER PUBLICATIONS

U.S. Appl. No. 29/352,371, filed Dec. 19, 2009, entitled "Camera Assembly," Inventor(s): Daniel K. Harden et al.
 U.S. Appl. No. 29/352,372, filed Dec. 19, 2009, entitled "Handset," Inventor(s): Daniel K. Harden et al.
 U.S. Appl. No. 29/363,178, filed Jun. 5, 2010, entitled "Handset," Inventor(s): Daniel K. Harden et al.
 U.S. Appl. No. 29/363,179, filed Jun. 5, 2010, entitled "Handset," Inventor(s): Daniel K. Harden et al.
 U.S. Appl. No. 29/352,373, filed Dec. 19, 2009, entitled "Cradle Device," Inventor(s): Daniel K. Harden et al.
 U.S. Appl. No. 29/352,374, filed Dec. 19, 2009, entitled "Handset," Inventor(s): Daniel K. Harden et al.
 U.S. Appl. No. 29/363,157, filed Jun. 4, 2010, entitled "Handset," Inventor(s): Daniel K. Harden et al.
 Panasonic KX-TGA670B, <URL:http://www.101phones.com/details/1991-229/panasonic-kx-tga670.html>, retrieved from internet Apr. 20, 2010, 1 page.
 GE/RCEViSYS H5450RE3-R, <URL:http://www.101phones.com/details/15753-5126/ge-rca-h5450re3.html>, retrieved from internet Apr. 20, 2010, 1 page.
 Cisco Wireless-g Ip Phone Sip 1LINE 802.11AG Speakerphone Incl Pwr Supl, <URL:http://www.amazon.com/Cisco-Wireless-g-Phone-802-11AG-Speakerphone/dp/B001F3YIJK/ref=sr_1_8?ie=UTF8&s=electronics&qid=1273357442&sr=1-8>, retrieved from internet May 8, 2010, 1 page.
 Vtech DS6301, <URL:http://www.101phones.com/details/11797-12287/vtech-ds6301.html>, retrieved from internet May 8, 2010, 1 page.

* cited by examiner

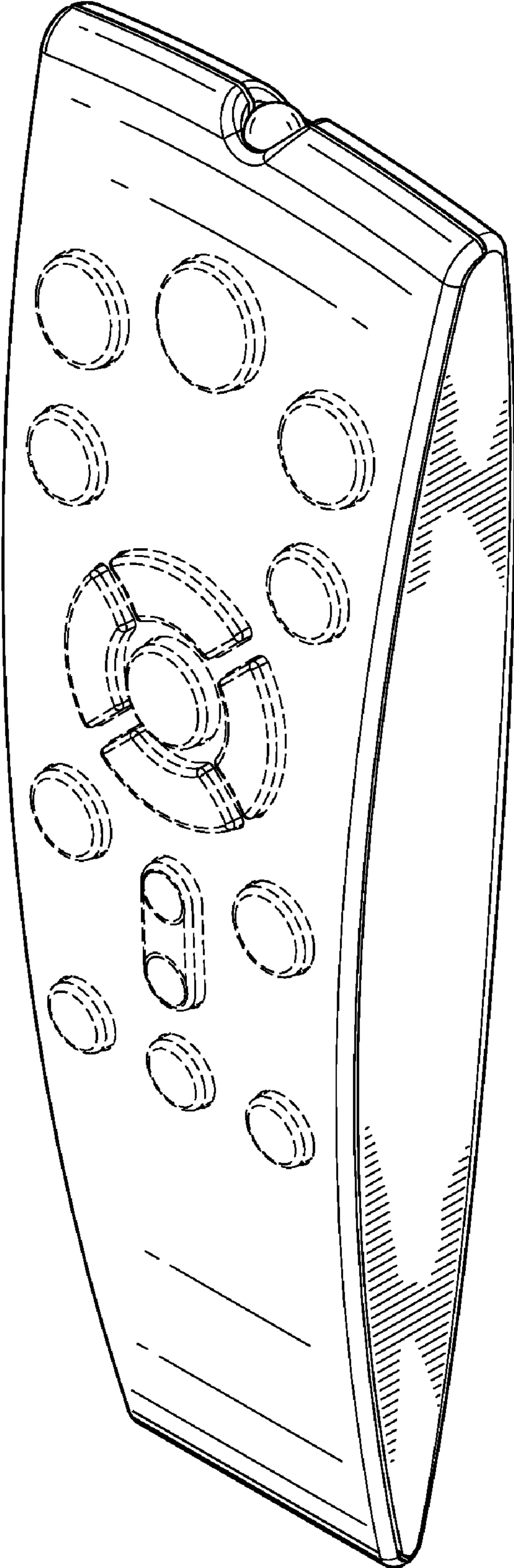


FIG. 1

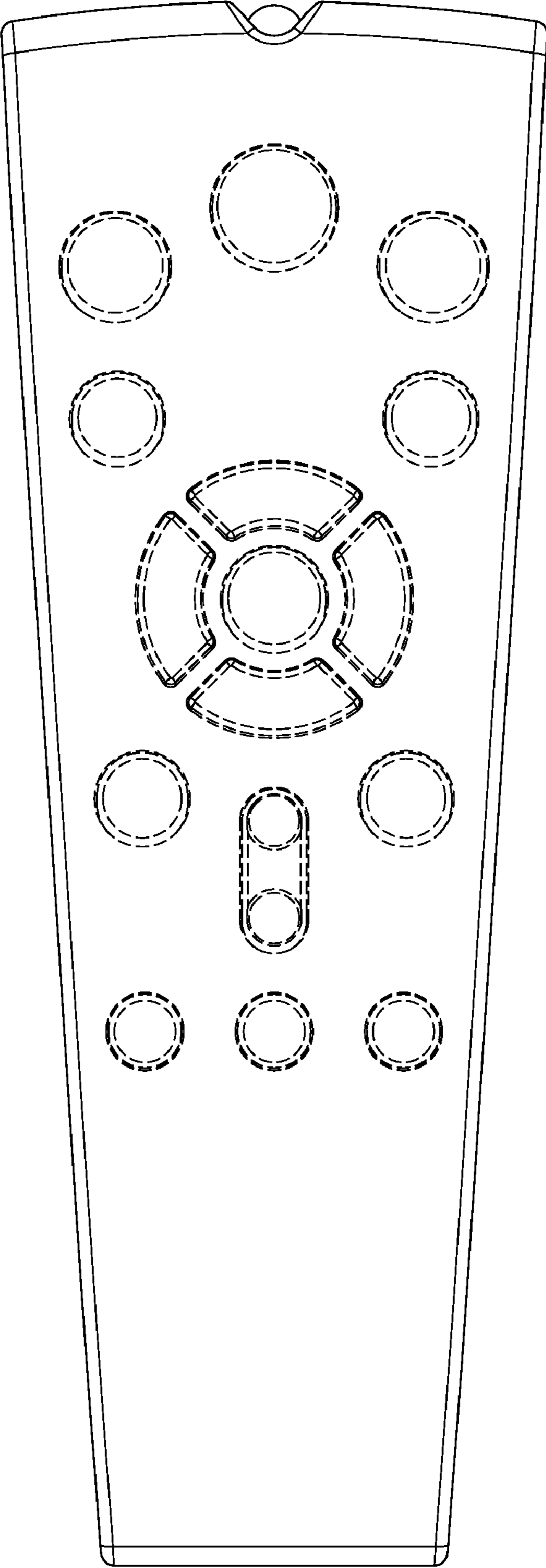


FIG. 2

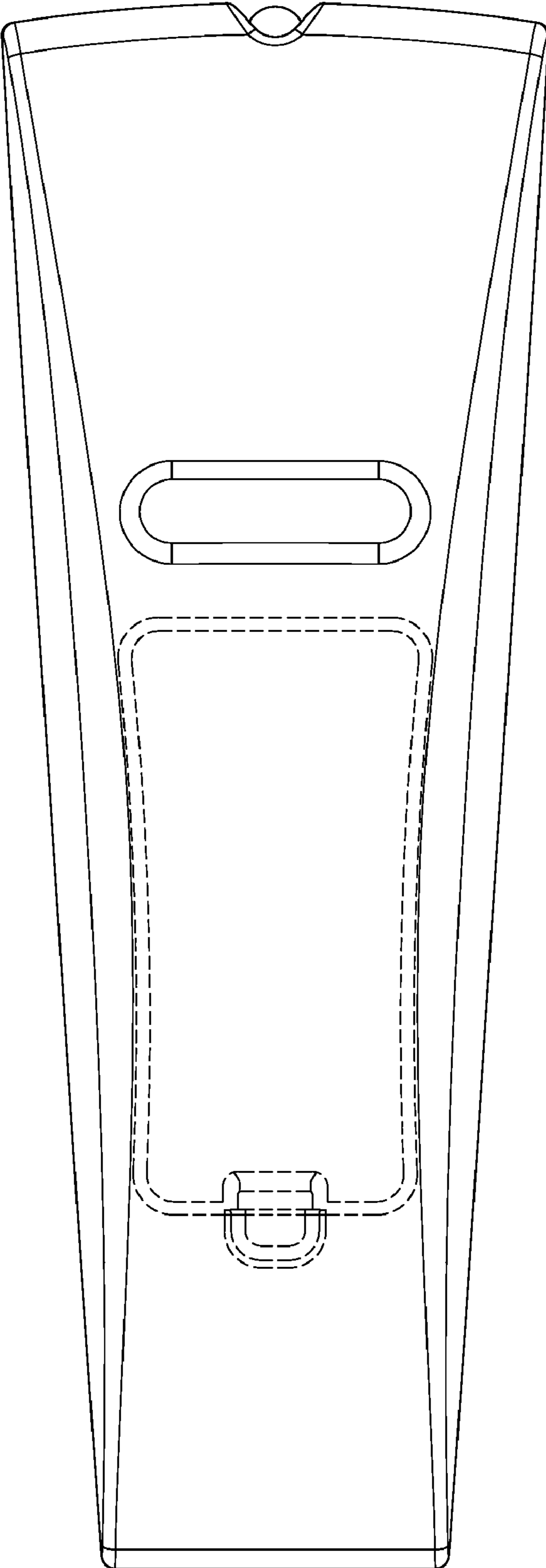


FIG. 3

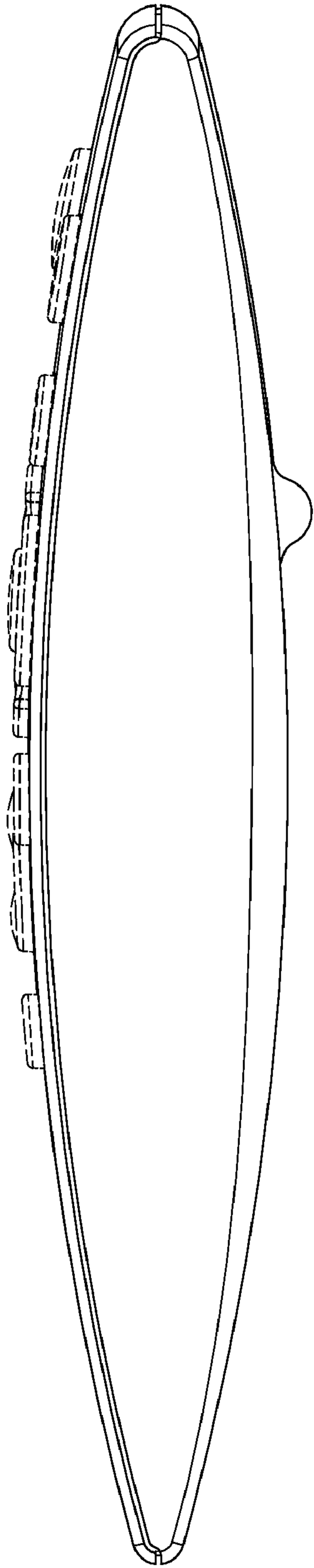


FIG. 4

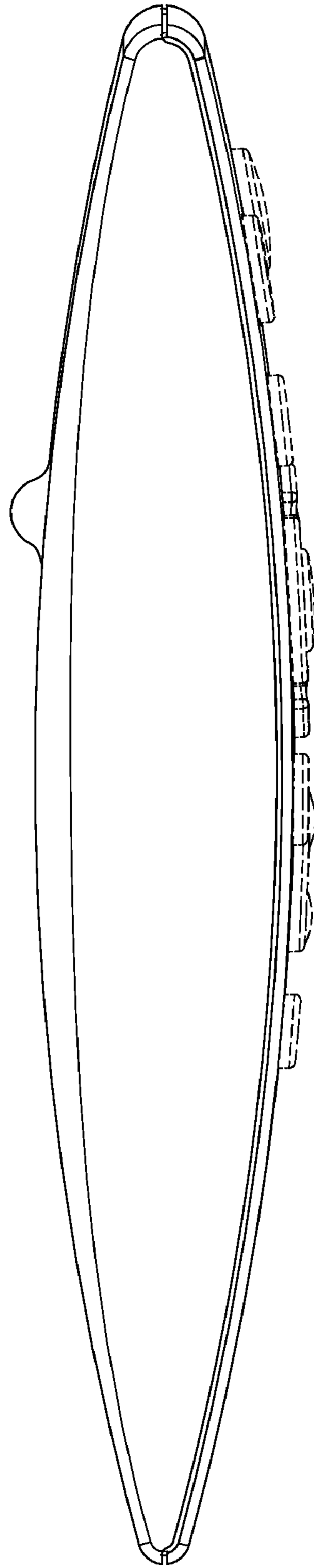


FIG. 5

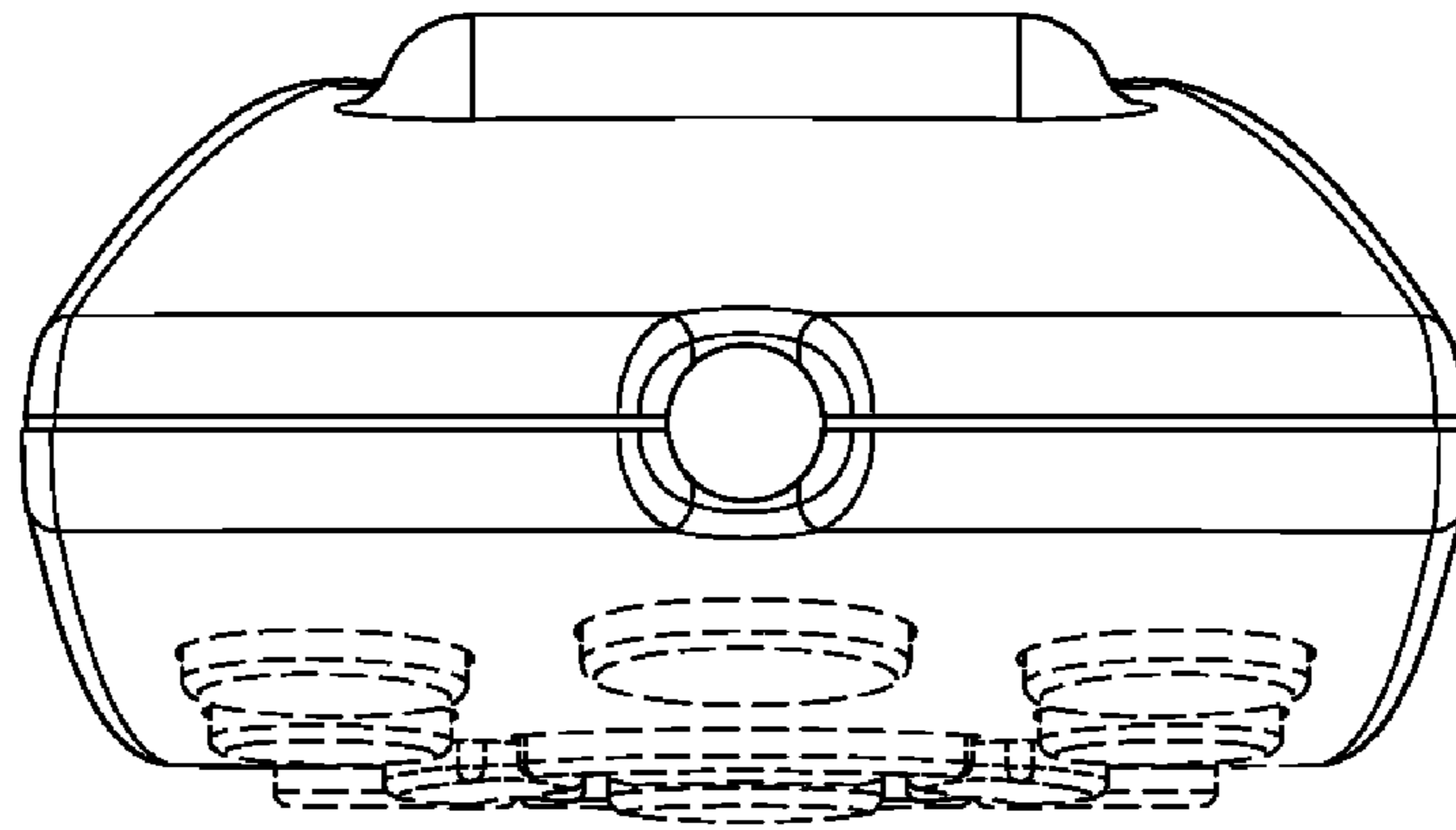


FIG. 6

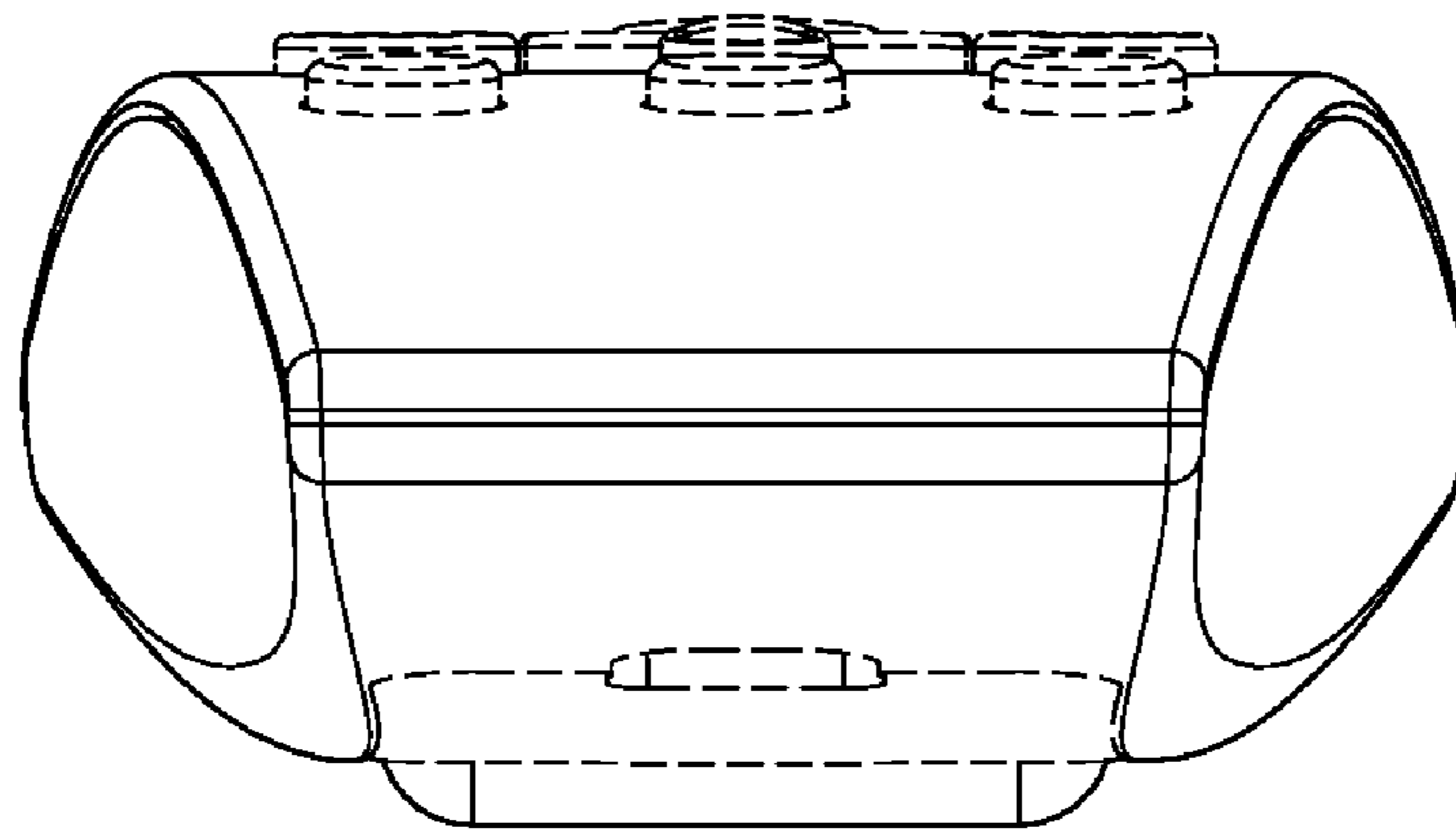


FIG. 7