



US00D644628S

(12) **United States Design Patent**
Chen

(10) **Patent No.:** **US D644,628 S**

(45) **Date of Patent:** **** Sep. 6, 2011**

(54) **SPEAKER**

D507,559 S * 7/2005 Sitoh D14/214
D606,978 S * 12/2009 Chen D14/204

(75) Inventor: **Hwang-Miaw Chen**, Taipei Hsien (TW)

* cited by examiner

(73) Assignee: **Hon Hai Precision Industry Co., Ltd.**,
Tu-Cheng, New Taipei (TW)

Primary Examiner — Nanda Bondade
(74) *Attorney, Agent, or Firm* — Altis Law Group, Inc.

(**) Term: **14 Years**

(57) **CLAIM**

The ornamental design for a speaker, as shown.

(21) Appl. No.: **29/381,913**

(22) Filed: **Dec. 26, 2010**

DESCRIPTION

(51) **LOC (9) Cl.** **14-01**

(52) **U.S. Cl.** **D14/215**

(58) **Field of Classification Search** D14/204,
D14/210–215, 172; 181/143–144, 147–148,
181/150–153, 157, 198–199; 381/300–303,
381/306, 332–333, 336, 345, 361–364, 386–388
See application file for complete search history.

FIG. 1 is a perspective view of a speaker showing my new design.

FIG. 2 is a front elevational view thereof.

FIG. 3 is a rear elevational view thereof.

FIG. 4 is a left side elevational view thereof.

FIG. 5 is a right side elevational view thereof.

FIG. 6 is a top plan view thereof.

FIG. 7 is a bottom plan view thereof; and,

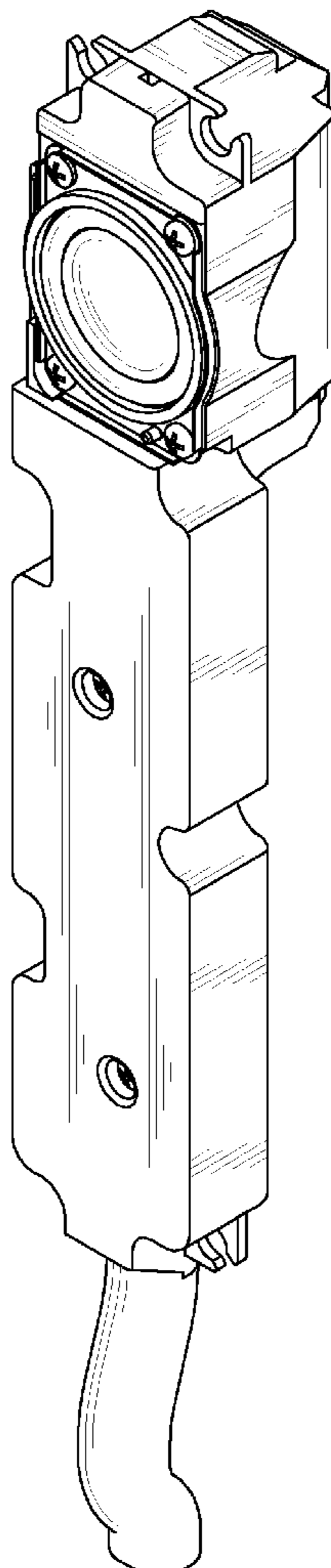
FIG. 8 is a cross-sectional view of the speaker of FIG. 2, taken along a line 8-8 thereof.

(56) **References Cited**

U.S. PATENT DOCUMENTS

D506,745 S * 6/2005 Sitoh D14/211

1 Claim, 8 Drawing Sheets



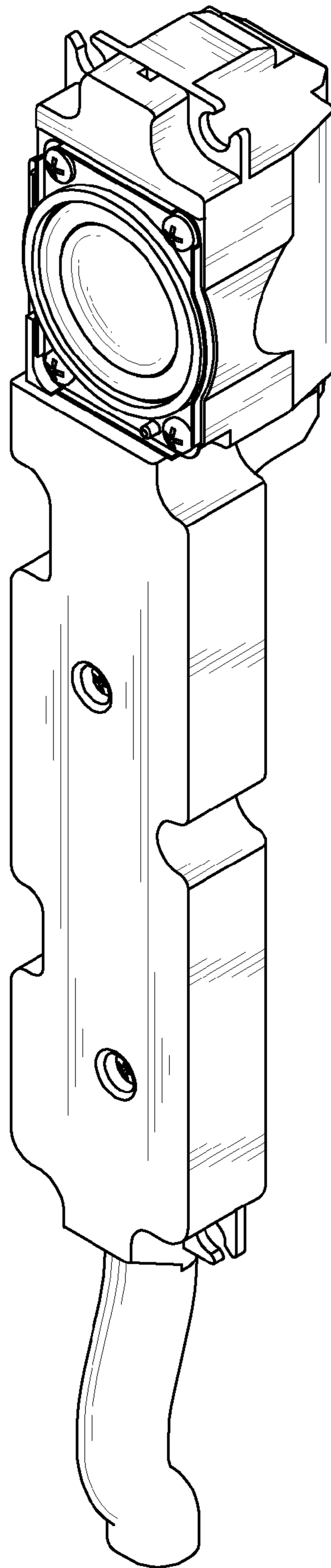


FIG. 1

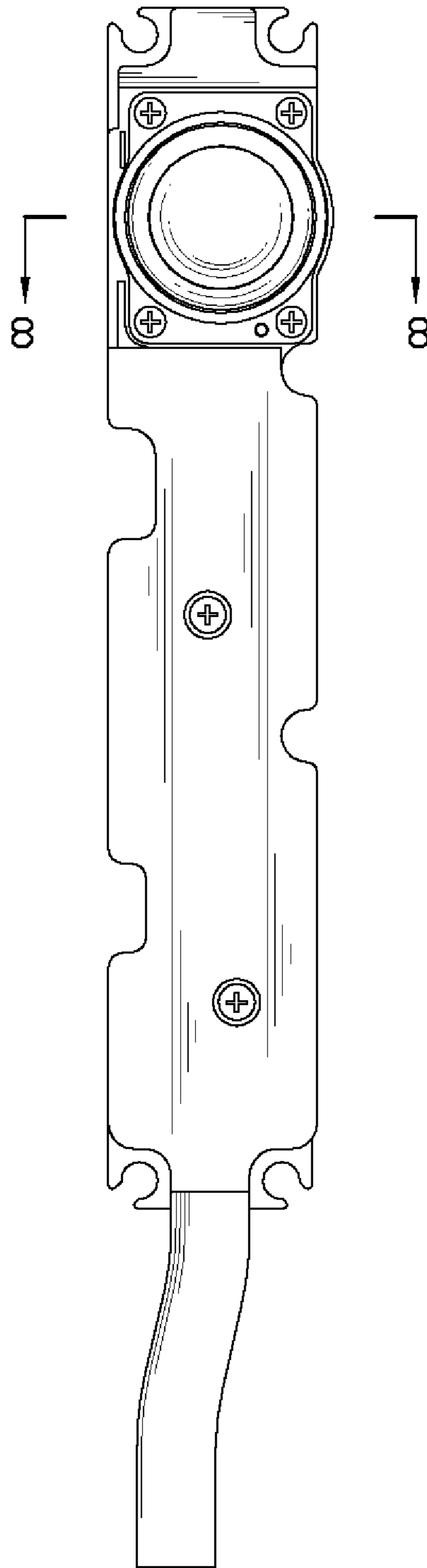


FIG. 2

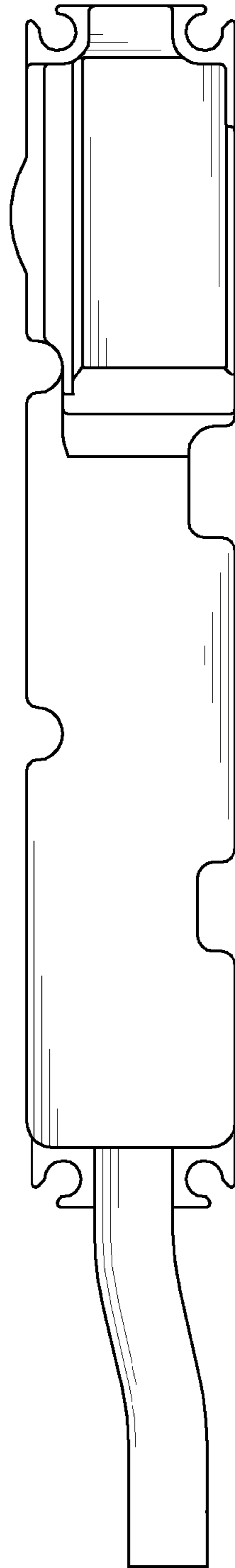


FIG. 3

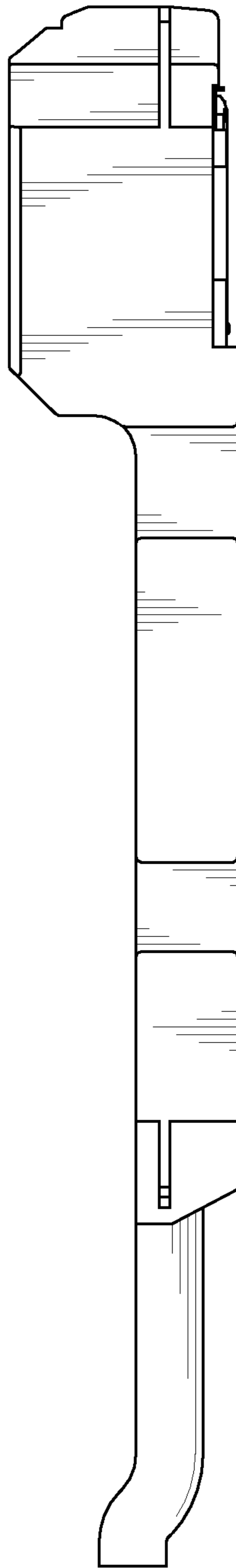


FIG. 4

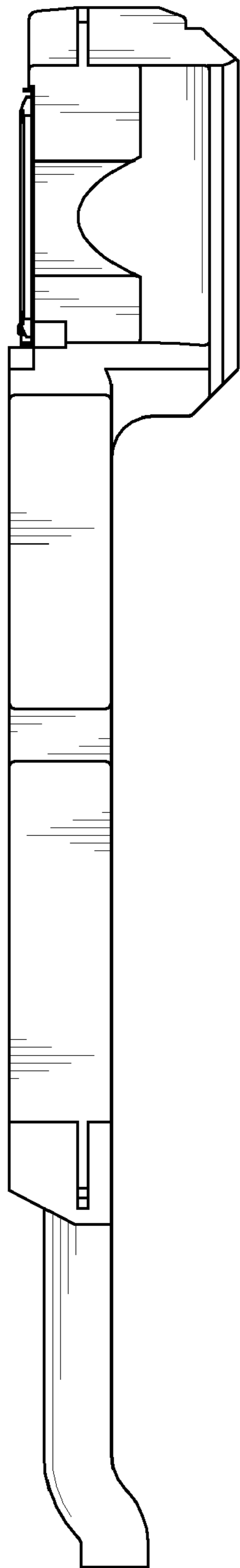


FIG. 5

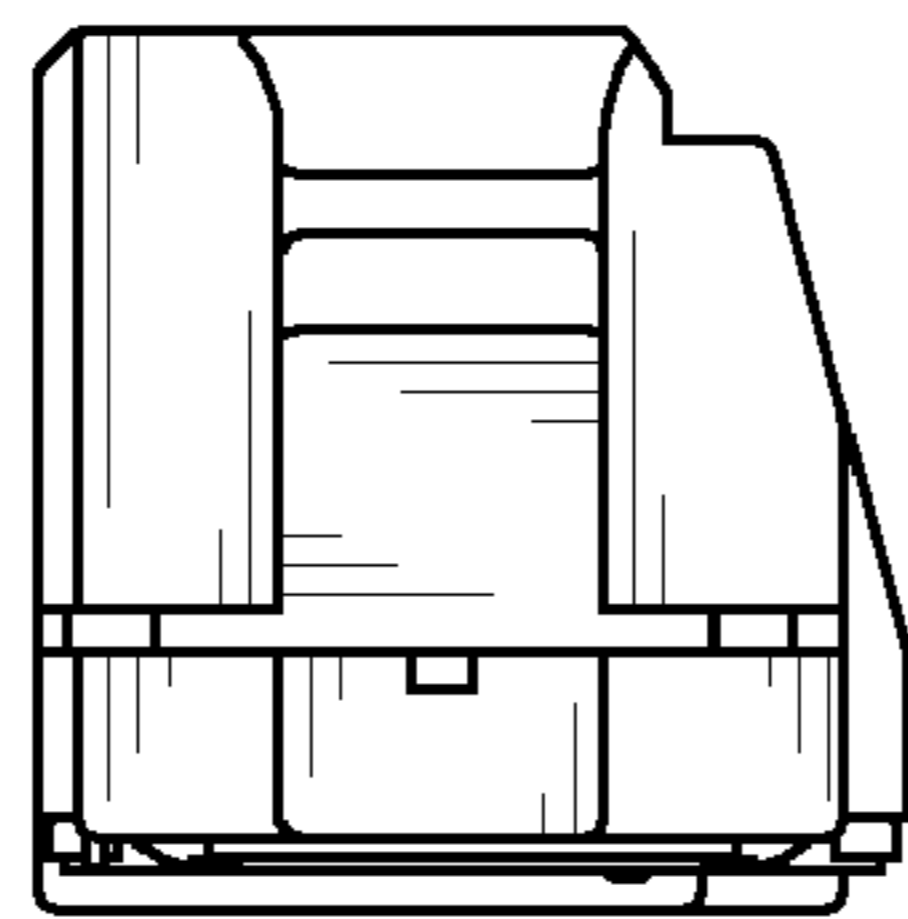


FIG. 6

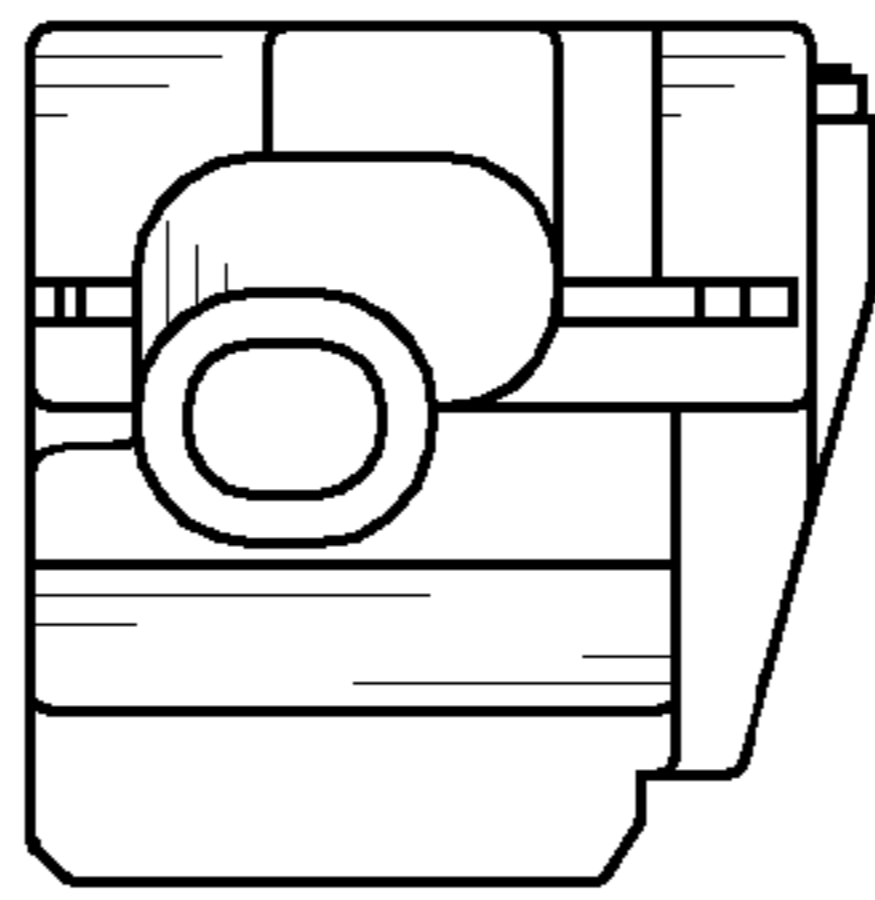


FIG. 7

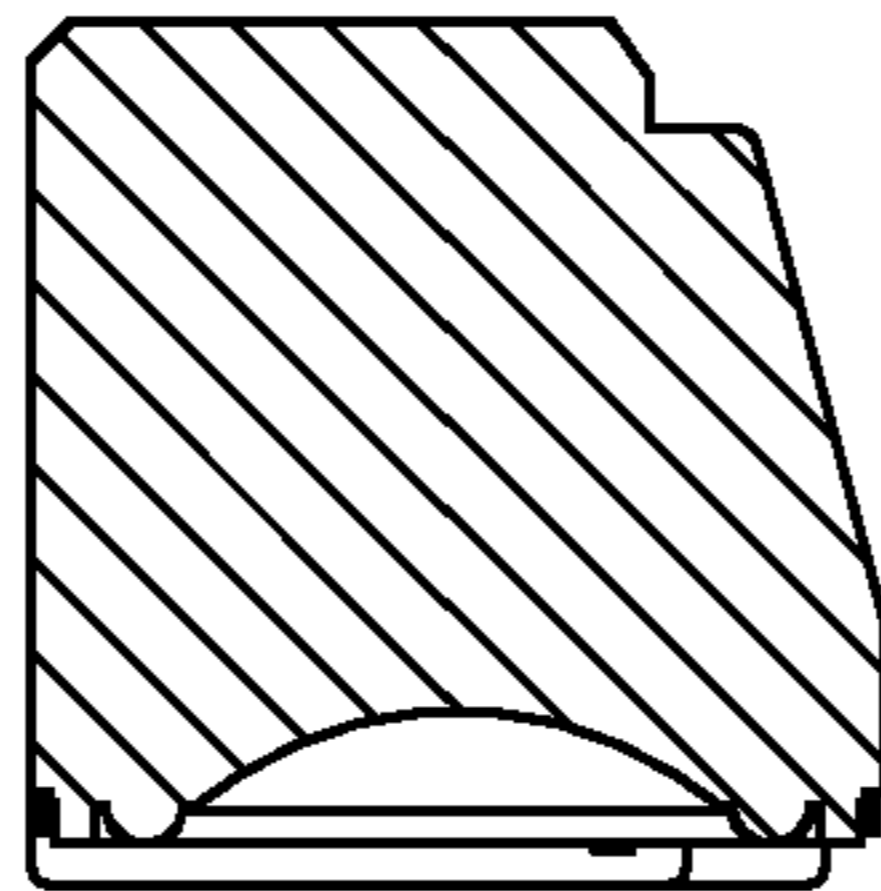


FIG. 8