



US00D644625S

(12) **United States Design Patent**  
**Iseki**

(10) **Patent No.:** **US D644,625 S**

(45) **Date of Patent:** **\*\* Sep. 6, 2011**

(54) **MICROPHONE FOR A HEADSET**

(75) Inventor: **Daisuke Iseki**, Tokyo (JP)

(73) Assignee: **Sony Corporation**, Tokyo (JP)

(\*\*) Term: **14 Years**

(21) Appl. No.: **29/347,987**

(22) Filed: **Sep. 3, 2010**

(30) **Foreign Application Priority Data**

Mar. 5, 2010 (JP) ..... D2010-005420

(51) **LOC (9) Cl.** ..... **14-01**

(52) **U.S. Cl.** ..... **D14/206; D14/225**

(58) **Field of Classification Search** ..... D14/205,  
D14/206, 223; 181/129, 130, 135; 379/430,  
379/431, 433.01, 433.03; 381/380, 381

See application file for complete search history.

(56) **References Cited**

**U.S. PATENT DOCUMENTS**

D278,625 S *	4/1985	Mathiasen	.....	D14/228
D366,045 S *	1/1996	Hirschhorn	.....	D14/228
D420,007 S *	2/2000	Marshall et al.	.....	D14/226
6,097,827 A *	8/2000	Yang	.....	381/375
D439,890 S *	4/2001	Skulley et al.	.....	D14/223
D459,337 S	6/2002	Mori		
6,560,346 B2 *	5/2003	Ohta et al.	.....	381/382
D497,156 S *	10/2004	Bauman et al.	.....	D14/225
D497,357 S *	10/2004	Allum et al.	.....	D14/206
D504,419 S *	4/2005	Bey et al.	.....	D14/223
D505,413 S *	5/2005	Skulley et al.	.....	D14/223
D514,086 S *	1/2006	Skulley	.....	D14/206
D517,528 S *	3/2006	Skulley	.....	D14/206
D518,479 S *	4/2006	Skulley	.....	D14/225
D530,307 S *	10/2006	Rath	.....	D14/206
D531,165 S *	10/2006	Rath	.....	D14/206
D537,815 S *	3/2007	Bentley et al.	.....	D14/225
D540,303 S *	4/2007	Rausch et al.	.....	D14/205

D540,778 S *	4/2007	Thompson et al.	.....	D14/206
D541,256 S *	4/2007	Rausch et al.	.....	D14/205
D578,508 S *	10/2008	Wang	.....	D14/206
D581,900 S *	12/2008	Caddes et al.	.....	D14/206
D587,683 S *	3/2009	Ham et al.	.....	D14/205
D587,684 S *	3/2009	Ham et al.	.....	D14/205
D589,492 S *	3/2009	Mistry	.....	D14/205
D589,934 S *	4/2009	Esses	.....	D14/206
D594,847 S	6/2009	Suzuki		

(Continued)

**FOREIGN PATENT DOCUMENTS**

JP D1123110 S 10/2001

(Continued)

**OTHER PUBLICATIONS**

Web page, "Logicool A340" [http://www.biccamera.com/bicbic/isp/w/catalog/detail.jsp?JAN\\_CODE=4943765032236](http://www.biccamera.com/bicbic/isp/w/catalog/detail.jsp?JAN_CODE=4943765032236), 1 page, Big Camera, (Aug. 11, 2010).

(Continued)

*Primary Examiner* — Paula Greene

(74) *Attorney, Agent, or Firm* — Rader, Fishman & Grauer PLLC

(57)

**CLAIM**

The ornamental design for a microphone for a headset, as shown.

**DESCRIPTION**

FIG. 1 is a perspective view of a microphone for a headset showing my new design;

FIG. 2 is a front elevational view thereof

FIG. 3 is a rear elevational view thereof;

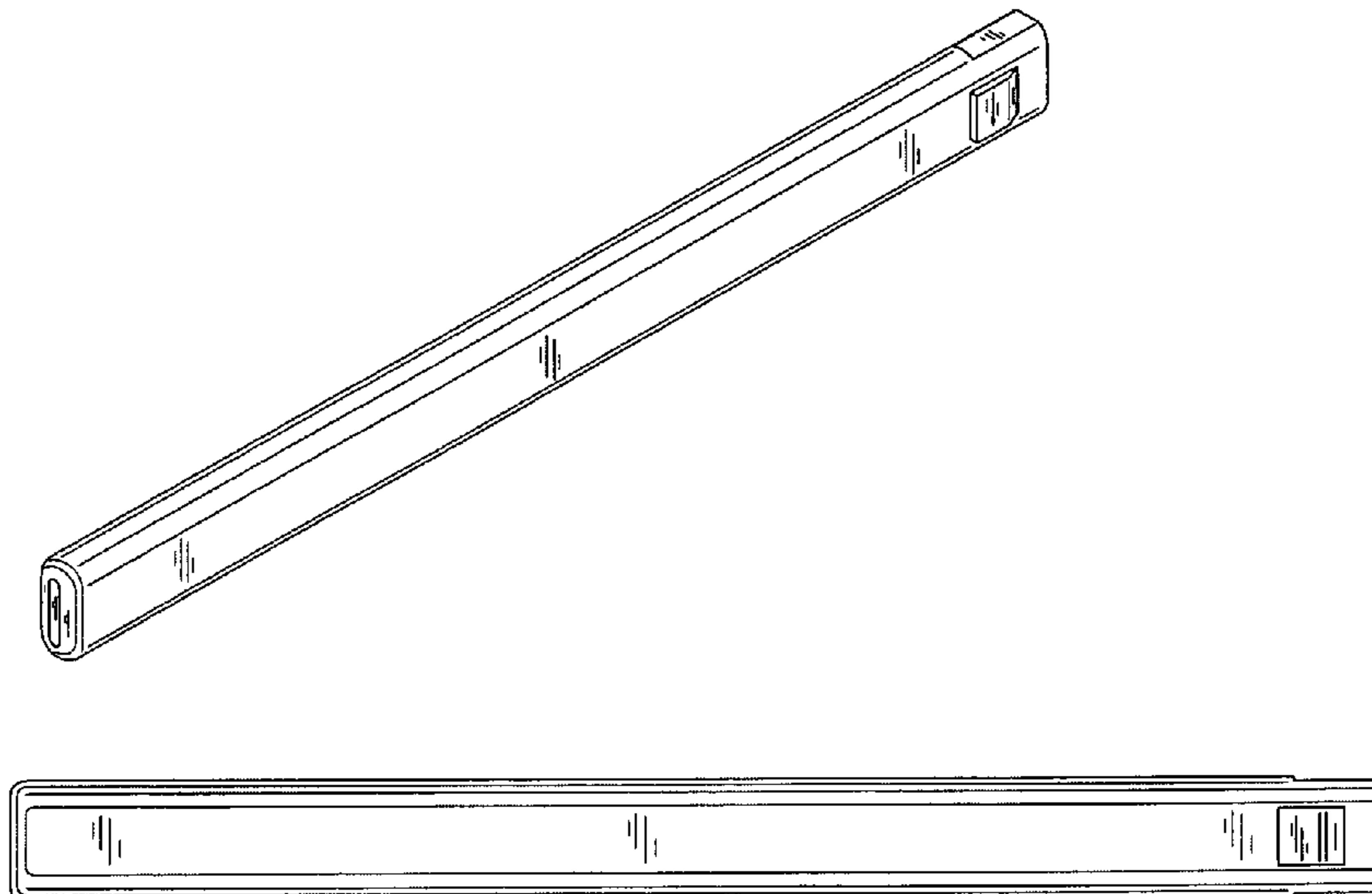
FIG. 4 is a left side elevational view thereof;

FIG. 5 is a right side elevational view thereof;

FIG. 6 is a top plan view thereof; and,

FIG. 7 is a bottom plan view thereof.

**1 Claim, 4 Drawing Sheets**



U.S. PATENT DOCUMENTS

D597,072 S \* 7/2009 Asai ..... D14/206  
D602,908 S \* 10/2009 Ham et al. .... D14/206  
D612,835 S \* 3/2010 Yang et al. .... D14/206  
D612,840 S \* 3/2010 Yang et al. .... D14/223

FOREIGN PATENT DOCUMENTS

JP D1363194 S 6/2009

OTHER PUBLICATIONS

Web page, Logicool A400, [http://www.biccamera.com/bicbic/jsp/w/catalog/detail.jsp?JAN\\_CODE=4943765032649](http://www.biccamera.com/bicbic/jsp/w/catalog/detail.jsp?JAN_CODE=4943765032649), 1 page, Big Camera, (Aug. 11, 2010).

Web page, "Logicool U-470" <http://www.yodobashi.com/ec/product/1000000010000923771/index.html>, 1 page, Yodobashi, (Aug. 11, 2010).

Web page, "Logicool G35" [http://store.logicool.co.jp/lcs/catablog/product\\_info.php?products\\_id=2000342](http://store.logicool.co.jp/lcs/catablog/product_info.php?products_id=2000342), 1 page, Logicool Store, (Aug. 11, 2010).

Web page, "Logicool H330" [http://store.logicool.co.jp/lcs/catalog/product\\_info.php?cPath=12&products\\_id=2000345](http://store.logicool.co.jp/lcs/catalog/product_info.php?cPath=12&products_id=2000345), 1 page, Logicool Store, (Aug. 11, 2010).

Web page, "Sennheiser PC 131" <http://www.senncom.jp/solution/pc/standard/pc131.html>, 2 pages, Sennheiser Communications, (Aug. 11, 2010).

Web page, "Sennheiser PC 151" <http://www.senncom.jp/solution/pc/standard/pc151.html>, 1 page, Sennheiser Communications, (Aug. 11, 2010).

Web page, "Sennheiser PC 121" <http://www.senncom.jp/solution/pc/standard/pc121.html>, 1 page, Sennheiser Communications, (Aug. 11, 2010).

Web page, "Microsft JTD-00006" [http://www.biccamera.com/bicbic/jsp/w/catalog/detail.jsp?JAN\\_CODE=498864867544&deqwas\\_inflow=0010229807](http://www.biccamera.com/bicbic/jsp/w/catalog/detail.jsp?JAN_CODE=498864867544&deqwas_inflow=0010229807), 1 page, Big Camera, (Aug. 11, 2010).

Web page, "Razer RZ-04-00270100-R3M1" [http://www.biccamera.com/bicbic/jsp/w/catalog/detail.jsp?JAN\\_CODE=4582168242967](http://www.biccamera.com/bicbic/jsp/w/catalog/detail.jsp?JAN_CODE=4582168242967), 1 page, Big Camera, (Aug. 11, 2010).

Web page, Razer RZ0400250100R3M1 [http://www.biccamera.com/bicbic/jsp/w/catalog/detail.jsp?JAN\\_CODE=4582168243056](http://www.biccamera.com/bicbic/jsp/w/catalog/detail.jsp?JAN_CODE=4582168243056), 1 page, Big Camera, (Aug. 11, 2010).

\* cited by examiner

FIG. 1

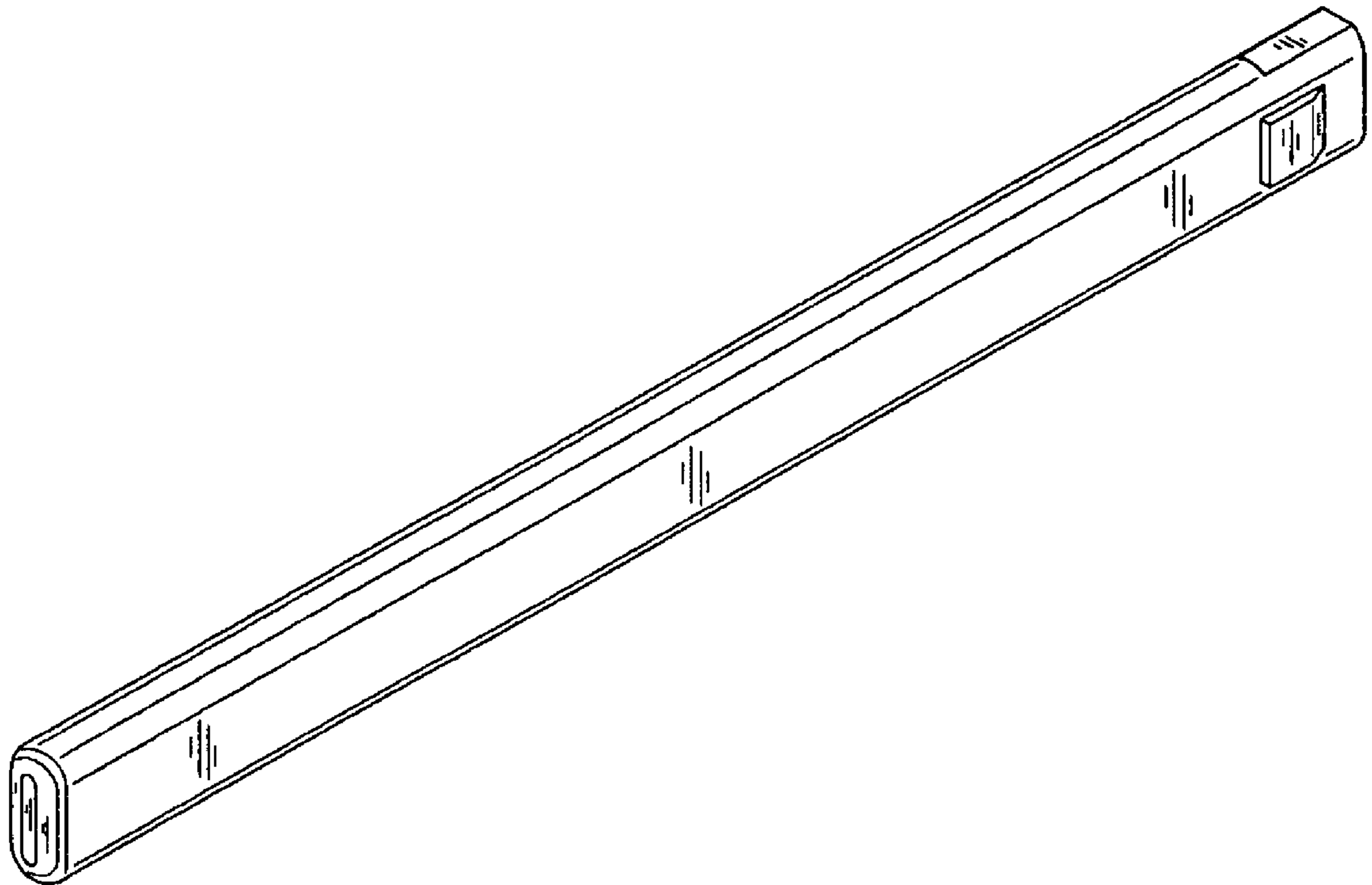


FIG.2

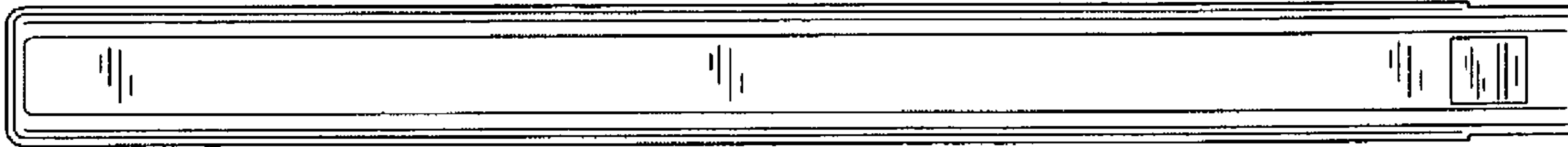


FIG.3

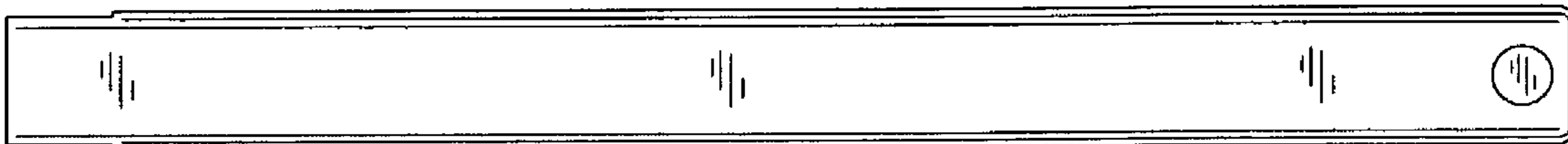


FIG.4



FIG.5



FIG.6

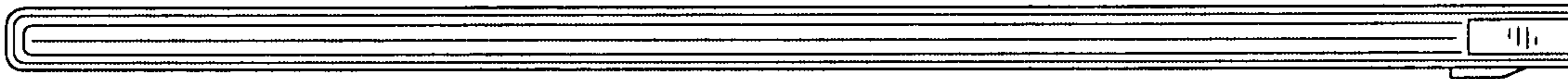


FIG.7

