



US00D644624S

(12) **United States Design Patent**
Akana et al.

(10) **Patent No.:** **US D644,624 S**
(45) **Date of Patent:** **** Sep. 6, 2011**

(54) **ELECTRONIC DEVICE**

(75) Inventors: **Jody Akana**, San Francisco, CA (US);
Bartley K. Andre, Menlo Park, CA (US);
Jeremy Bataillou, San Francisco, CA (US);
Daniel J. Coster, San Francisco, CA (US);
Daniele De Iuliis, San Francisco, CA (US);
Evans Hankey, San Francisco, CA (US);
Richard P. Howarth, San Francisco, CA (US);
Jonathan P. Ive, San Francisco, CA (US);
Duncan Robert Kerr, San Francisco, CA (US);
Shin Nishibori, Portola Valley, CA (US);
Matthew Dean Rohrbach, San Francisco, CA (US);
Peter Russell-Clarke, San Francisco, CA (US);
Christopher J. Stringer, Woodside, CA (US);
Eugene Antony Whang, San Francisco, CA (US);
Rico Zorkendorfer, San Francisco, CA (US)

(73) Assignee: **Apple Inc.**, Cupertino, CA (US)

(**) Term: **14 Years**

(21) Appl. No.: **29/386,812**

(22) Filed: **Mar. 4, 2011**

Related U.S. Application Data

(60) Continuation of application No. 29/366,863, filed on Jul. 30, 2010, now Pat. No. Des. 634,297, which is a division of application No. 29/343,062, filed on Sep. 4, 2009, now Pat. No. Des. 622,696.

(51) **LOC (9) Cl.** **14-03**

(52) **U.S. Cl.** **D14/203.1; D14/496**

(58) **Field of Classification Search** D14/496,
D14/401, 435, 474, 483, 217, 137, 138, 160,
D14/168, 356; 345/156, 169, 173-179, 905;
715/727-729, 864; 710/1, 5, 8; 713/1, 600;
455/1.1, 1, 7, 73, 344-347, 93, 95, 3.01-3.06,
455/550.1, 573.1; 370/342-344; 369/1,
369/2, 6, 12; 463/43-47; 273/148 B

See application file for complete search history.

(56) **References Cited**

U.S. PATENT DOCUMENTS

2,953,625 A * 9/1960 Hasselhorn 174/60
(Continued)

FOREIGN PATENT DOCUMENTS

CN 200530057303.9 3/2006
(Continued)

OTHER PUBLICATIONS

Saytes, accessed from http://saytes.es/product_info.php!products_id=494, accessed on Feb. 18, 2009; 2 pages.

(Continued)

Primary Examiner — Prabhakar Deshmukh

(74) *Attorney, Agent, or Firm* — Sterne, Kessler, Goldstein & Fox PLLC

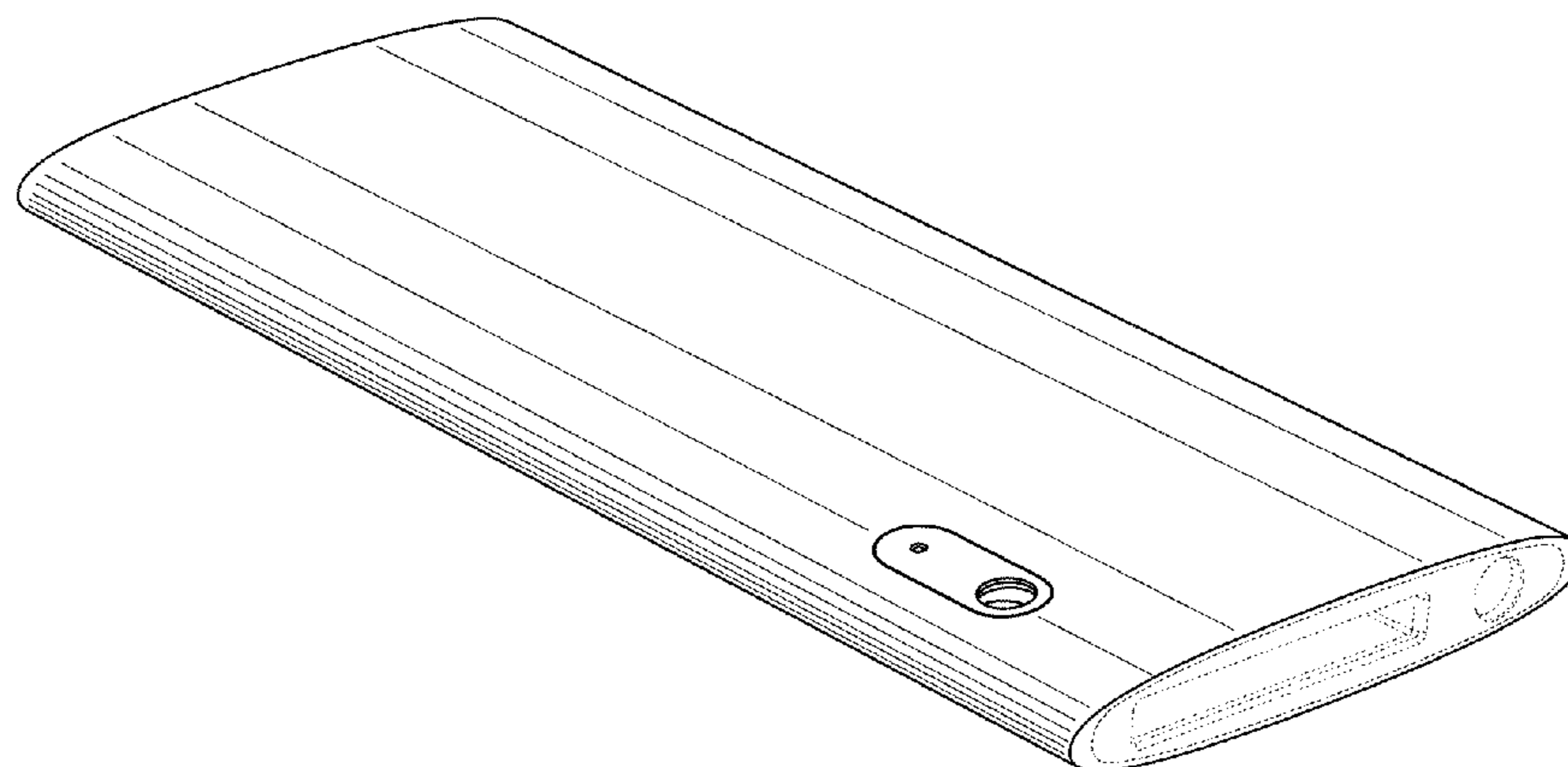
(57) **CLAIM**

The ornamental design for an electronic device, as shown and described.

DESCRIPTION

FIG. 1 is a bottom front perspective view of an electronic device showing our new design;
FIG. 2 is a bottom rear perspective view thereof;
FIG. 3 is front view thereof;
FIG. 4 is rear view thereof;
FIG. 5 is a top plan view thereof;
FIG. 6 is a left side view thereof;
FIG. 7 is a right side view thereof;
FIG. 8 is bottom plan view thereof;
FIG. 9 is a top rear perspective view thereof; and,
FIG. 10 is a top front perspective view thereof.
The broken lines in the Figures show portions of the electronic device which form no part of the claimed design.

1 Claim, 5 Drawing Sheets



US D644,624 S

Page 2

U.S. PATENT DOCUMENTS

6,122,526 A * 9/2000 Parulski et al. 455/556.1
6,558,835 B1 * 5/2003 Kurisu et al. 429/159
D481,684 S * 11/2003 Bomar D13/154
D486,469 S * 2/2004 Morita D14/168
D499,383 S * 12/2004 Bomar D13/154
D516,579 S * 3/2006 Nakamura D14/496
7,013,164 B2 * 3/2006 Lin 455/557
D520,519 S * 5/2006 Chin et al. D14/203.3
D525,987 S 8/2006 Kim
D550,714 S 9/2007 Ferraboshi
D556,196 S * 11/2007 Cheng D14/356
D575,304 S 8/2008 Andre et al.
D580,953 S 11/2008 Andre et al.
D604,713 S 11/2009 Andre et al.
D604,714 S 11/2009 Andre et al.
D611,465 S * 3/2010 Corley et al. D14/248
D616,863 S 6/2010 Andre et al.
D622,696 S 8/2010 Akana et al.
D626,530 S 11/2010 Andre et al.
D634,297 S 3/2011 Akana et al.
D635,123 S 3/2011 Andre et al.

FOREIGN PATENT DOCUMENTS

CN 200530059843.0 7/2006
CN 200730131203.5 1/2008

OTHER PUBLICATIONS

U.S. Appl. No. 29/324,261, Andre et al., "Electronic Device", filed Sep. 9, 2008.
U.S. Appl. No. 29/380,889, Andre et al., "Media Device", filed Dec. 13, 2010.
U.S. Appl. No. 29/384,096, Andre et al., "Media Device", filed Jan. 26, 2011.
U.S. Appl. No. 29/386,815, Andre et al., "Electronic Device", filed Mar. 4, 2011.
Office Action of the IPO, issued May 23, 2011, in ROC (Taiwan) Patent Application No. 099301041, 5 pages.
Search Report for Patent Application (Translation), in ROC (Taiwan) New Design Patent Application No. 099301041, ROC (Taiwan) Patent Office, completed May 19, 2011, 1 page.
Office Action of the IPO, issued May 23, 2011, in ROC (Taiwan) Patent Application No. 099301042. 5 pages.
Search Report for Patent Application (Translation), in ROC (Taiwan) New Design Patent Application No. 099301042, ROC (Taiwan) Patent Office, completed May 19, 2011, 1 page.

* cited by examiner

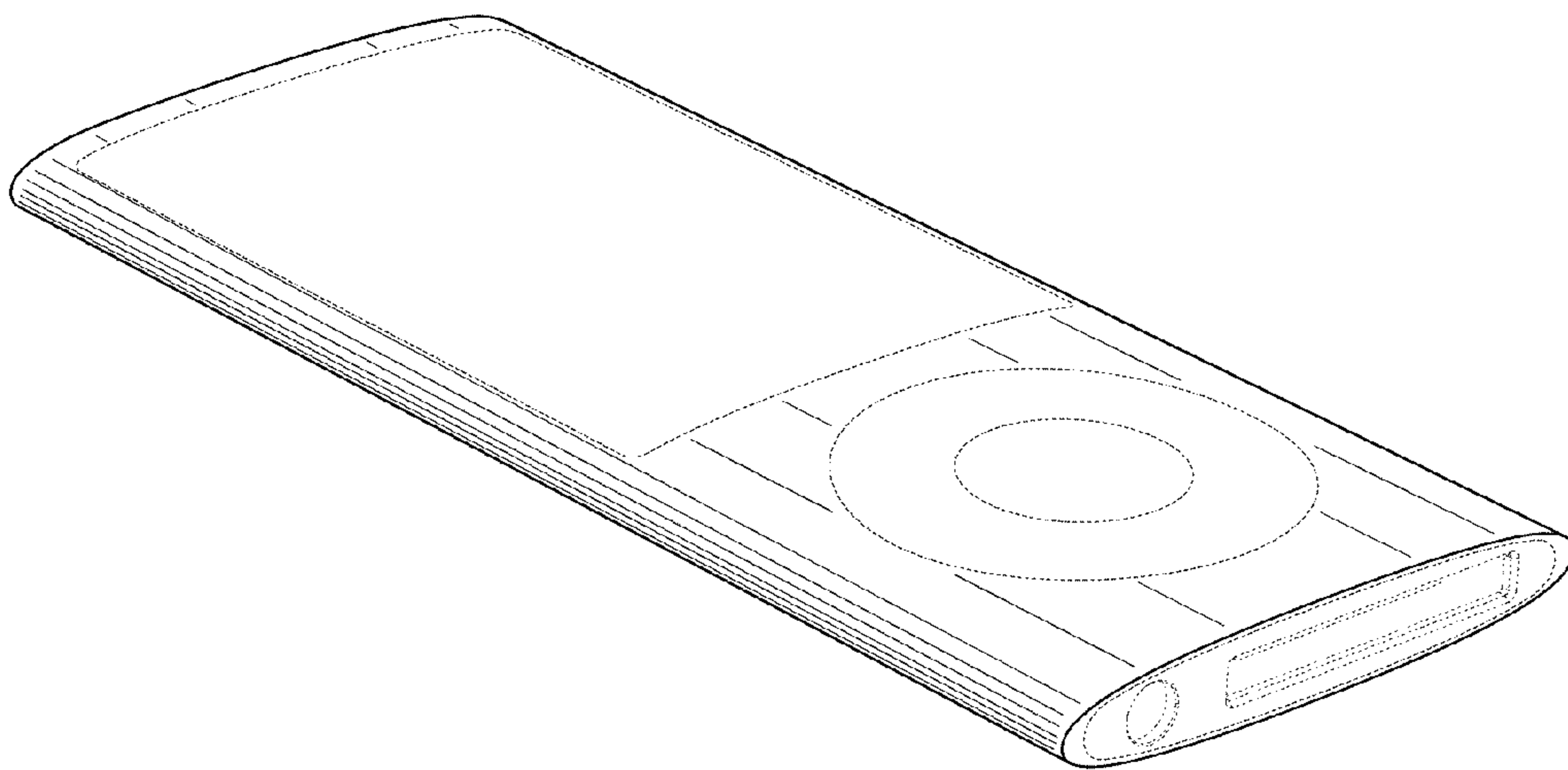


FIG. 1

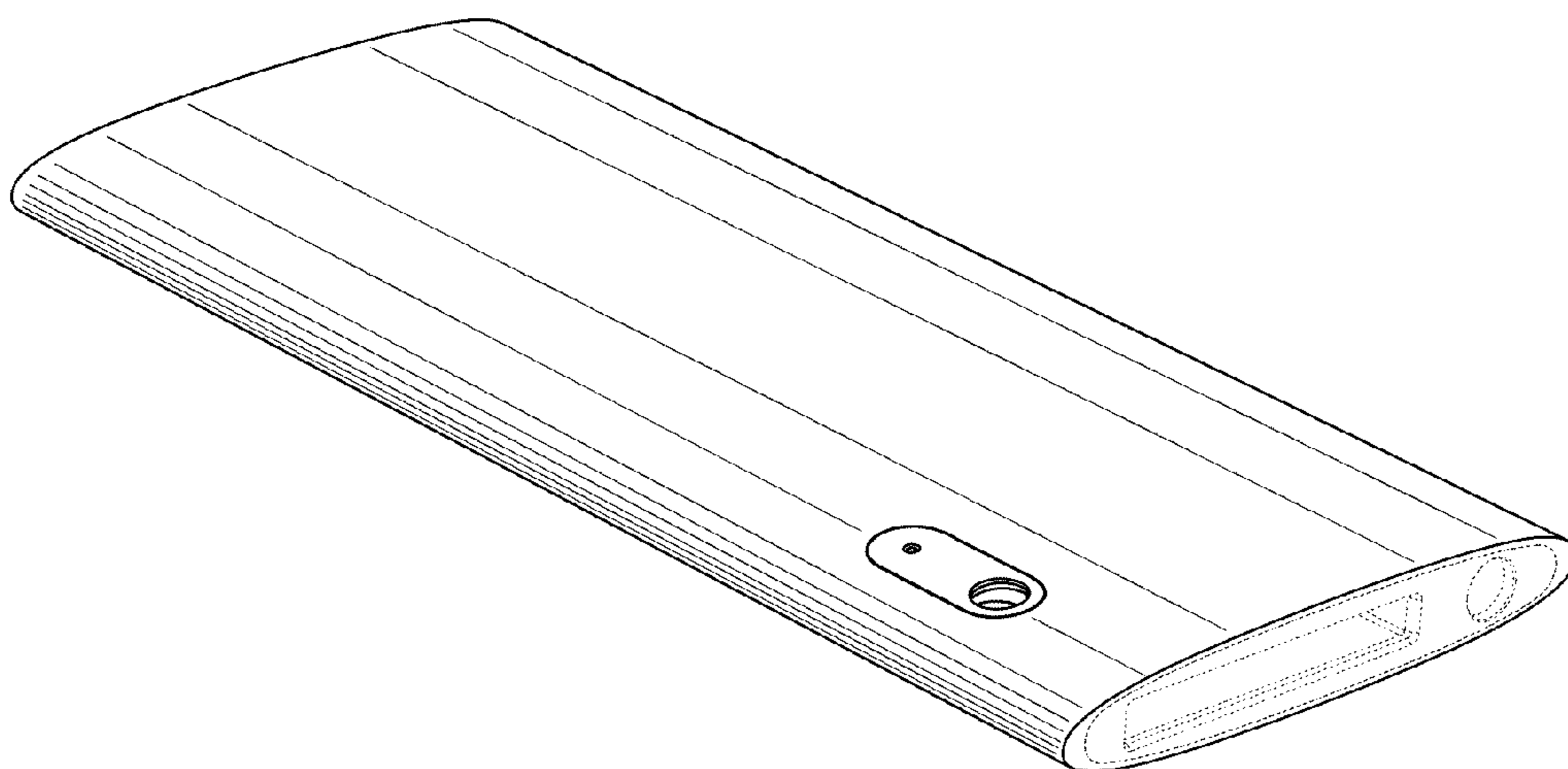


FIG. 2

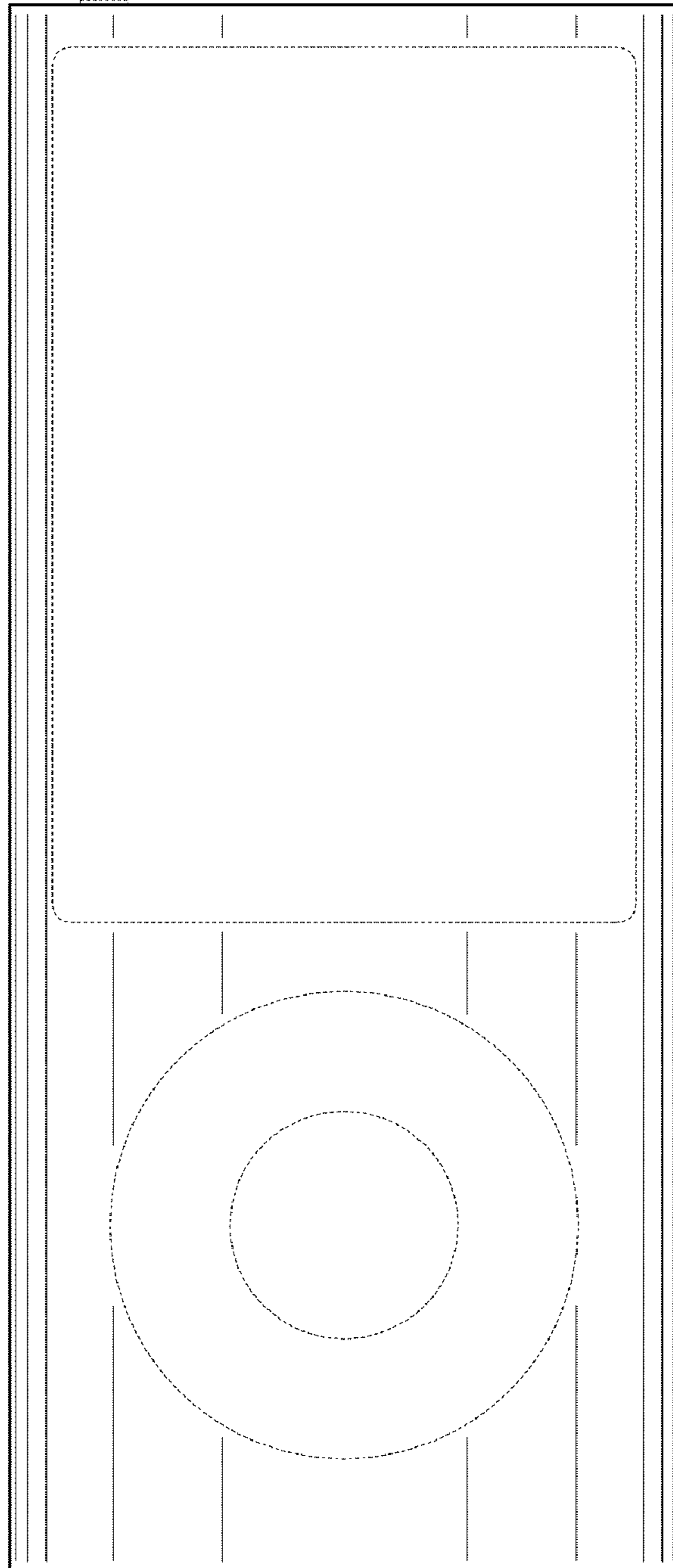


FIG. 3

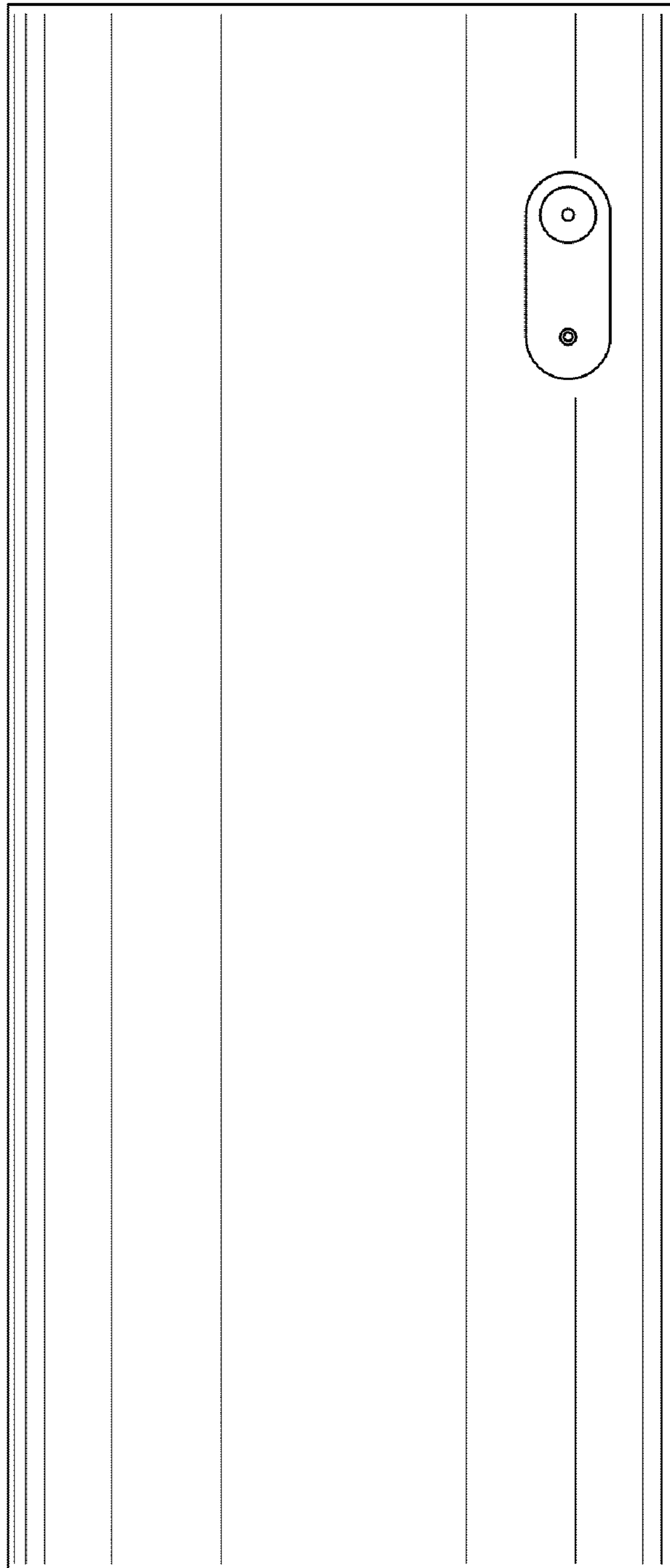


FIG. 4



FIG. 5

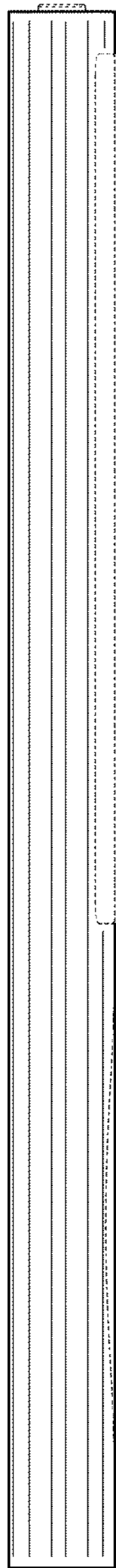


FIG. 6

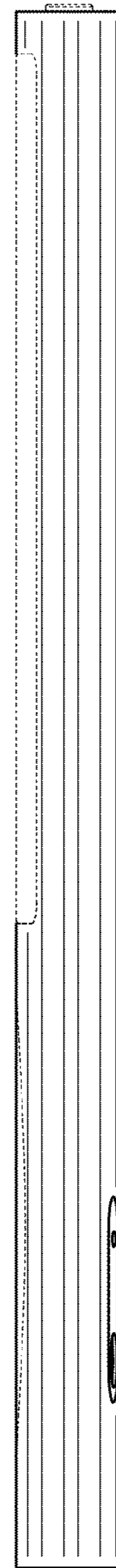


FIG. 7

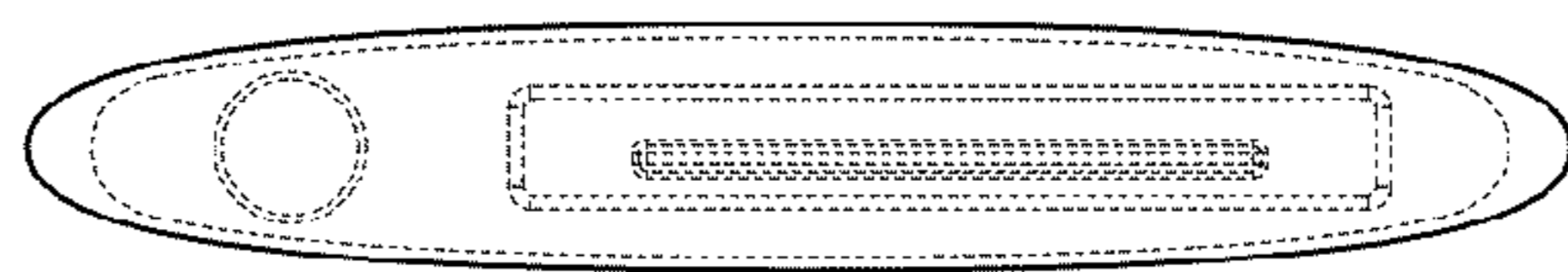


FIG. 8

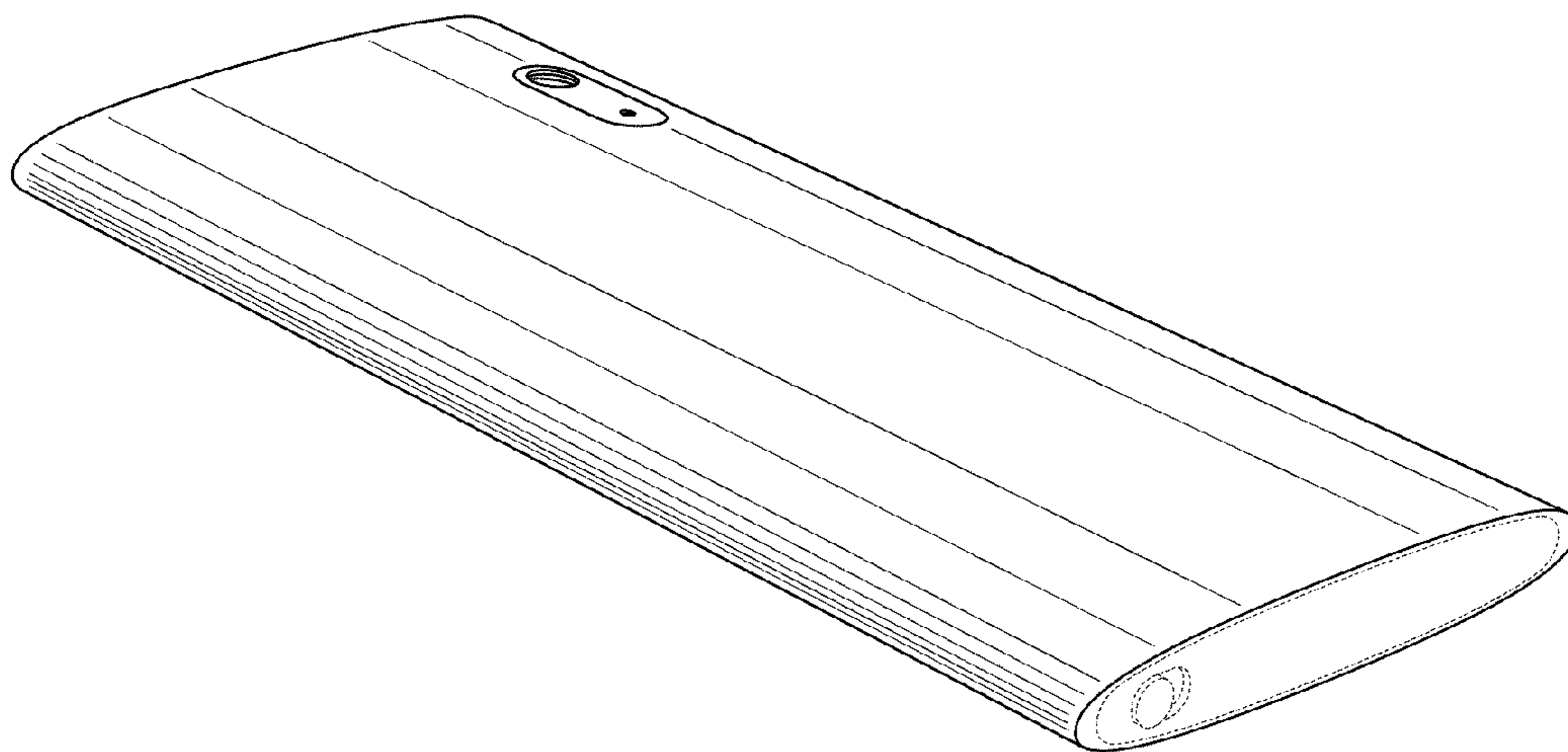


FIG. 9

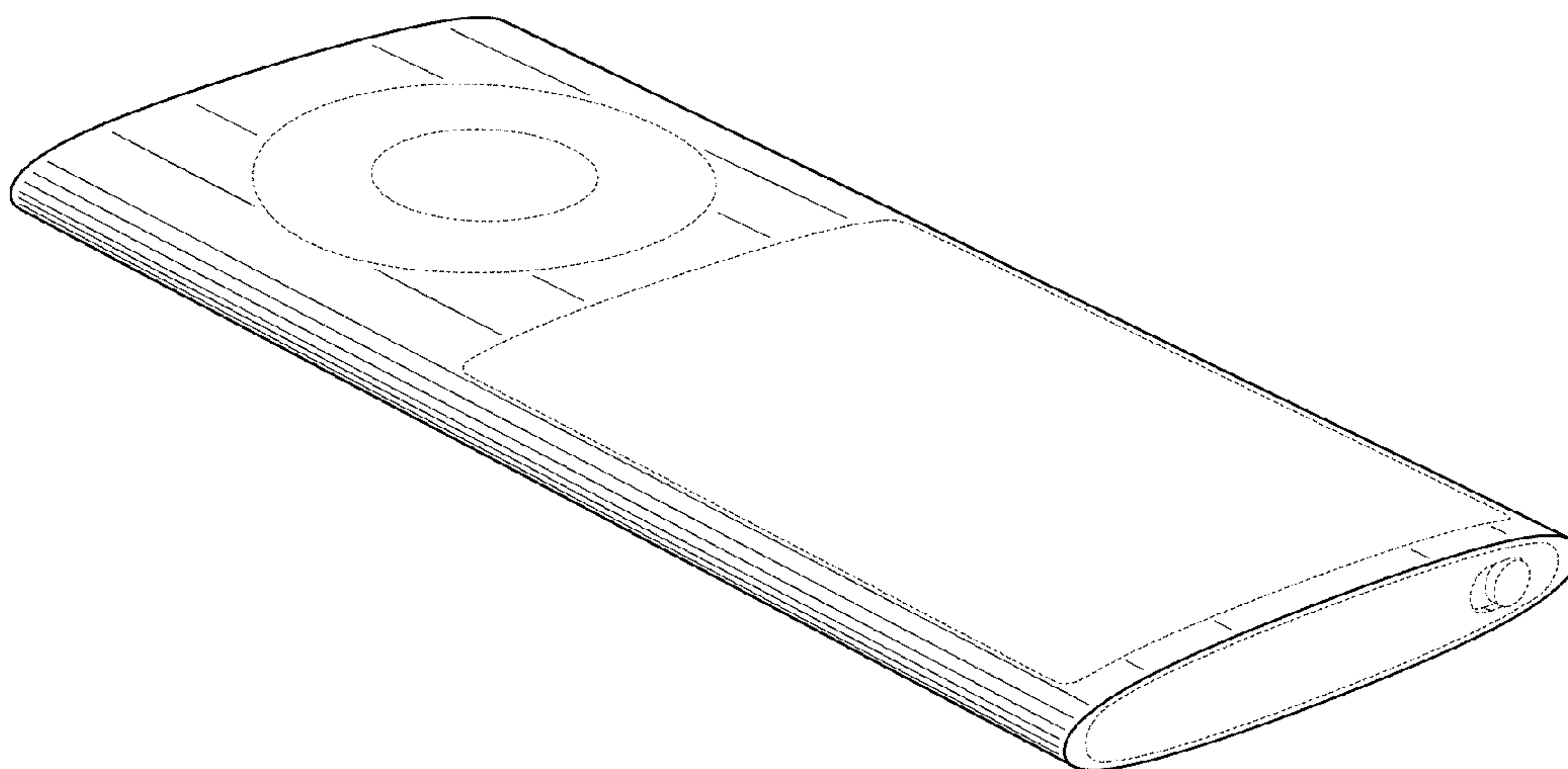


FIG. 10