



US00D644620S

(12) **United States Design Patent**
Song et al.

(10) **Patent No.:** **US D644,620 S**

(45) **Date of Patent:** **** Sep. 6, 2011**

(54) **LED MONITOR WITH TV RECEIVER**

(75) Inventors: **Jae-Seung Song**, Seoul (KR);
Young-Jin Seo, Seoul (KR)

(73) Assignee: **Samsung Electronics Co., Ltd.**, Suwon,
Kyunggi-do (KR)

(**) Term: **14 Years**

(21) Appl. No.: **29/372,111**

(22) Filed: **Oct. 15, 2010**

(51) **LOC (9) Cl.** **14-03**

(52) **U.S. Cl.** **D14/126**

(58) **Field of Classification Search** D14/125-134,
D14/239, 371, 136, 374-377, 440, 450, 448,
D14/336, 342; 312/7.2; 348/836, 838, 180,
348/184, 325, 739; 341/12; 248/917-924,
248/465; 345/104, 133, 156, 168, 87, 173;
720/605, 669, 600, 655; 369/99, 197; 455/344,
455/347; D21/329, 515, 577, 622, 333, 433,
D21/448, 452, 450, 331; D6/477, 479, 300;
273/148 B; 446/484, 175, 356; D10/15,
D10/26

See application file for complete search history.

(56) **References Cited**

U.S. PATENT DOCUMENTS

D494,941 S	8/2004	Kim
D499,386 S	12/2004	Yang
D512,424 S	12/2005	Kim
D521,511 S	5/2006	Kim et al.
D521,996 S	5/2006	Kim et al.
D521,997 S	5/2006	Park et al.
D522,509 S	6/2006	Park et al.
D524,313 S	7/2006	Boo et al.
D527,003 S	8/2006	Kim et al.
D528,115 S	9/2006	Yoon
D528,116 S	9/2006	Won et al.
D529,910 S	10/2006	Ota

D529,911 S	*	10/2006	Yamashiro et al.	D14/375
D532,764 S		11/2006	Kim et al.		
D533,848 S		12/2006	Lee et al.		
D534,510 S		1/2007	Kang et al.		
D534,883 S		1/2007	Kang et al.		
D535,267 S		1/2007	Kang et al.		
D536,677 S		2/2007	Kim et al.		
D537,079 S		2/2007	Park		
D539,242 S		3/2007	Lee et al.		
D539,281 S		3/2007	Kim et al.		
D539,767 S		4/2007	Kang et al.		
D540,277 S		4/2007	Kim et al.		
D541,236 S		4/2007	Kim et al.		
D541,763 S		5/2007	Kim		
D542,746 S		5/2007	Kim		

(Continued)

OTHER PUBLICATIONS

U.S. Appl. No. 29/308,894, Applicant: Eui-Seok Kim, et al., filed Jul. 14, 2008 entitled LCD Monitor.

(Continued)

Primary Examiner — Raphael Barkai

(74) *Attorney, Agent, or Firm* — Flynn, Thiel, Boutell & Tanis, P.C.

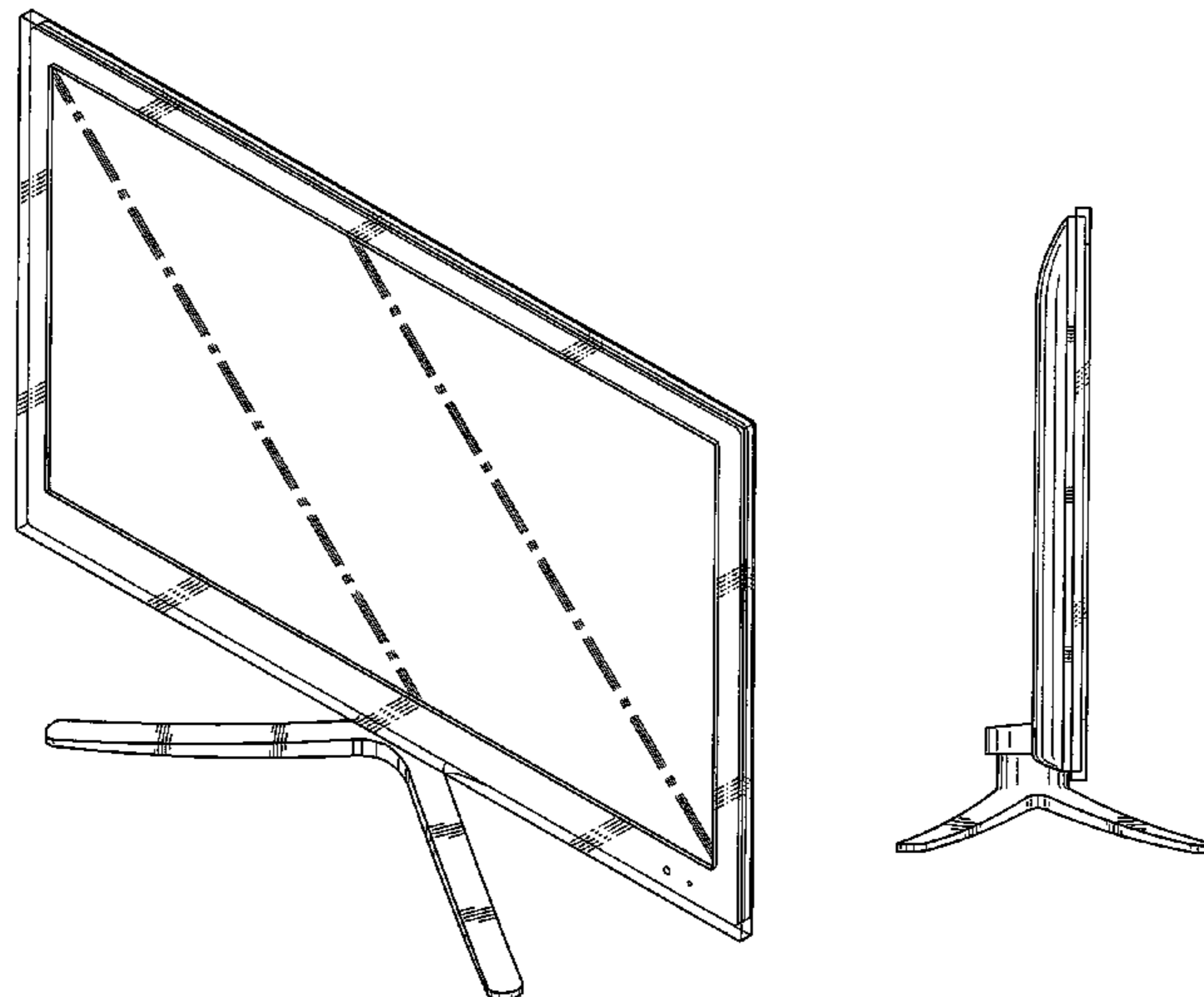
(57) **CLAIM**

The ornamental design for a LED monitor with TV receiver, as shown and described.

DESCRIPTION

FIG. 1 is a top front perspective view of a LED monitor with TV receiver showing our new design; FIG. 2 is a front elevational view thereof; FIG. 3 is a rear elevational view thereof; FIG. 4 is a left side elevational view thereof; FIG. 5 is a right side elevational view thereof; FIG. 6 is a top plan view thereof; and, FIG. 7 is a bottom plan view thereof.

1 Claim, 4 Drawing Sheets



U.S. PATENT DOCUMENTS

D542,747 S 5/2007 Kim et al.
 D542,748 S 5/2007 Kim et al.
 D542,749 S 5/2007 Kim et al.
 D543,163 S 5/2007 Yang et al.
 D543,164 S 5/2007 Yang et al.
 D544,849 S 6/2007 Yang et al.
 D545,312 S 6/2007 Kim
 D545,313 S 6/2007 Kim
 D545,314 S 6/2007 Kim
 D545,315 S 6/2007 Kim
 D545,316 S 6/2007 Kim
 D545,776 S 7/2007 Kwon
 D545,820 S 7/2007 Won et al.
 D546,331 S 7/2007 Kim
 D547,276 S 7/2007 Yang et al.
 D547,313 S 7/2007 Kim
 D548,205 S 8/2007 Kim et al.
 D548,206 S 8/2007 Han
 D548,708 S 8/2007 Park et al.
 D551,186 S 9/2007 Yang et al.
 D551,194 S 9/2007 Kim et al.
 D551,636 S 9/2007 Kang et al.
 D553,108 S 10/2007 Won et al.
 D554,601 S 11/2007 Won et al.
 D556,159 S 11/2007 Park et al.
 D556,160 S 11/2007 Lee et al.
 D556,709 S 12/2007 Kim et al.
 D556,755 S 12/2007 Lee et al.
 D556,756 S 12/2007 Kataoka et al.
 D556,757 S 12/2007 Kim et al.
 D558,201 S 12/2007 Park et al.
 D558,696 S 1/2008 Park et al.
 D561,130 S 2/2008 Won et al.
 D561,134 S 2/2008 Kim et al.
 D561,135 S 2/2008 Won et al.
 D561,136 S 2/2008 Won et al.
 D564,472 S 3/2008 Won et al.
 D564,990 S * 3/2008 Ueno D14/126
 D565,521 S 4/2008 Yang et al.
 D567,198 S 4/2008 Yang et al.
 D567,199 S 4/2008 Kim et al.
 D569,818 S 5/2008 Kim et al.
 D570,841 S 6/2008 Kim et al.
 D572,680 S 7/2008 Lee et al.
 D572,682 S 7/2008 Won et al.
 D573,118 S 7/2008 Yang et al.
 D573,559 S 7/2008 Kim et al.
 D575,247 S 8/2008 Lee
 D576,622 S 9/2008 Park
 D579,889 S 11/2008 Noh
 D582,365 S 12/2008 Yang et al.
 D582,366 S 12/2008 Yang et al.
 D582,867 S 12/2008 Song et al.
 D584,258 S 1/2009 Yang et al.
 D584,309 S 1/2009 Kim et al.
 D584,310 S 1/2009 Kim et al.
 D584,729 S 1/2009 Kim et al.
 D586,811 S 2/2009 Kim et al.

D587,712 S 3/2009 Park et al.
 D592,621 S 5/2009 Han et al.
 D593,974 S 6/2009 Yang et al.
 D596,596 S * 7/2009 Honda D14/126
 D597,041 S 7/2009 Cho et al.
 D597,977 S 8/2009 Won et al.
 D597,978 S 8/2009 Won et al.
 D601,104 S 9/2009 Kim
 D603,816 S 11/2009 Kim et al.
 D603,817 S 11/2009 Kim et al.
 D605,148 S 12/2009 Boo et al.
 D605,149 S 12/2009 Kim et al.
 D605,150 S 12/2009 Kim
 D607,426 S 1/2010 Yang
 D608,311 S 1/2010 Lee et al.
 D608,314 S 1/2010 Boo et al.
 D609,658 S 2/2010 Kim et al.
 D610,143 S 2/2010 Park et al.
 D614,596 S 4/2010 Won et al.
 D615,509 S * 5/2010 Song et al. D14/126
 D615,510 S 5/2010 Won et al.
 D615,511 S 5/2010 Shin et al.
 D615,938 S 5/2010 Song et al.
 D615,939 S * 5/2010 Honda D14/126
 D616,842 S 6/2010 Kim
 D616,884 S 6/2010 Kim et al.
 D619,979 S 7/2010 Lee et al.
 D620,461 S 7/2010 Han et al.
 D620,901 S 8/2010 Won et al.
 D620,902 S 8/2010 Kim et al.
 D620,903 S 8/2010 Song et al.
 D622,235 S 8/2010 Lee et al.
 D624,035 S 9/2010 Lee et al.
 D624,036 S 9/2010 Lee et al.
 D624,512 S * 9/2010 Kim et al. D14/126
 D625,278 S 10/2010 Kim et al.
 D626,101 S 10/2010 Kim et al.
 D626,924 S * 11/2010 Miyaji D14/126

OTHER PUBLICATIONS

U.S. Appl. No. 29/348,517, Applicant: Yong-Joo Lee, et al., filed Feb. 10, 2010 entitled LCD Monitor.
 U.S. Appl. No. 29/349,398, Applicant: Ok-Keun Lee, et al., filed Mar. 31, 2010 entitled LED Monitor.
 U.S. Appl. No. 29/349,399, Applicant: Sang-Il Park, filed Mar. 31, 2010 entitled LCD Monitor.
 U.S. Appl. No. 29/349,400, Applicant: Sang-Il Park, filed Mar. 31, 2010 entitled LCD Monitor.
 U.S. Appl. No. 29/349,396, Applicant: Young-Jin Seo, et al., filed Mar. 31, 2010 entitled LED Monitor.
 U.S. Appl. No. 29/370,219, Applicant: Sang-Il Park, et al., filed Jun. 17, 2010 entitled LED Monitor.
 U.S. Appl. No. 29/370,571, Applicant: Sang-Il Park, et al., filed Aug. 5, 2010 entitled LCD Monitor.
 U.S. Appl. No. 29/370,569, Applicant: Sang-Il Park, et al., filed Aug. 5, 2010 entitled LED Monitor.

* cited by examiner

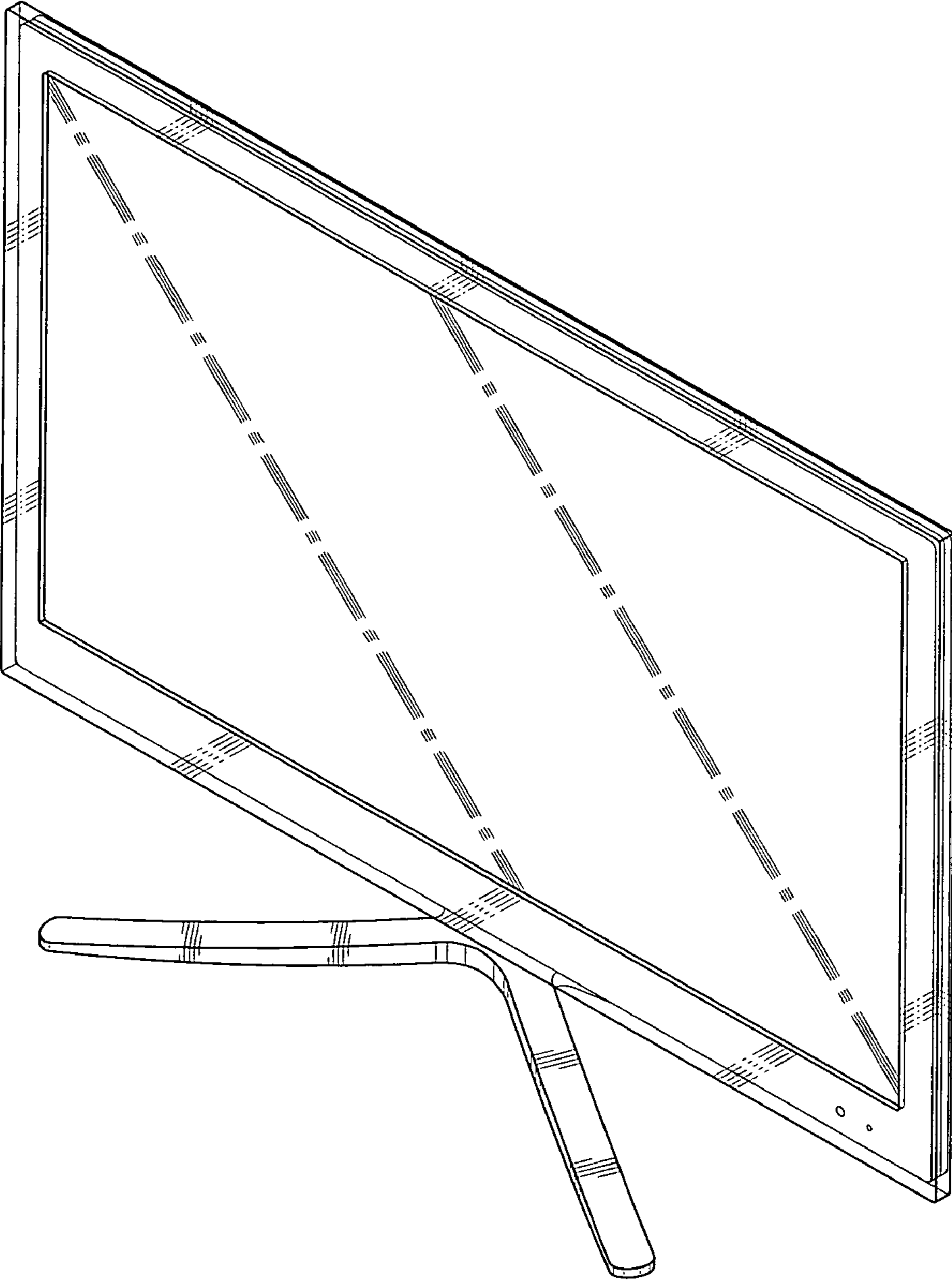


FIG. 1

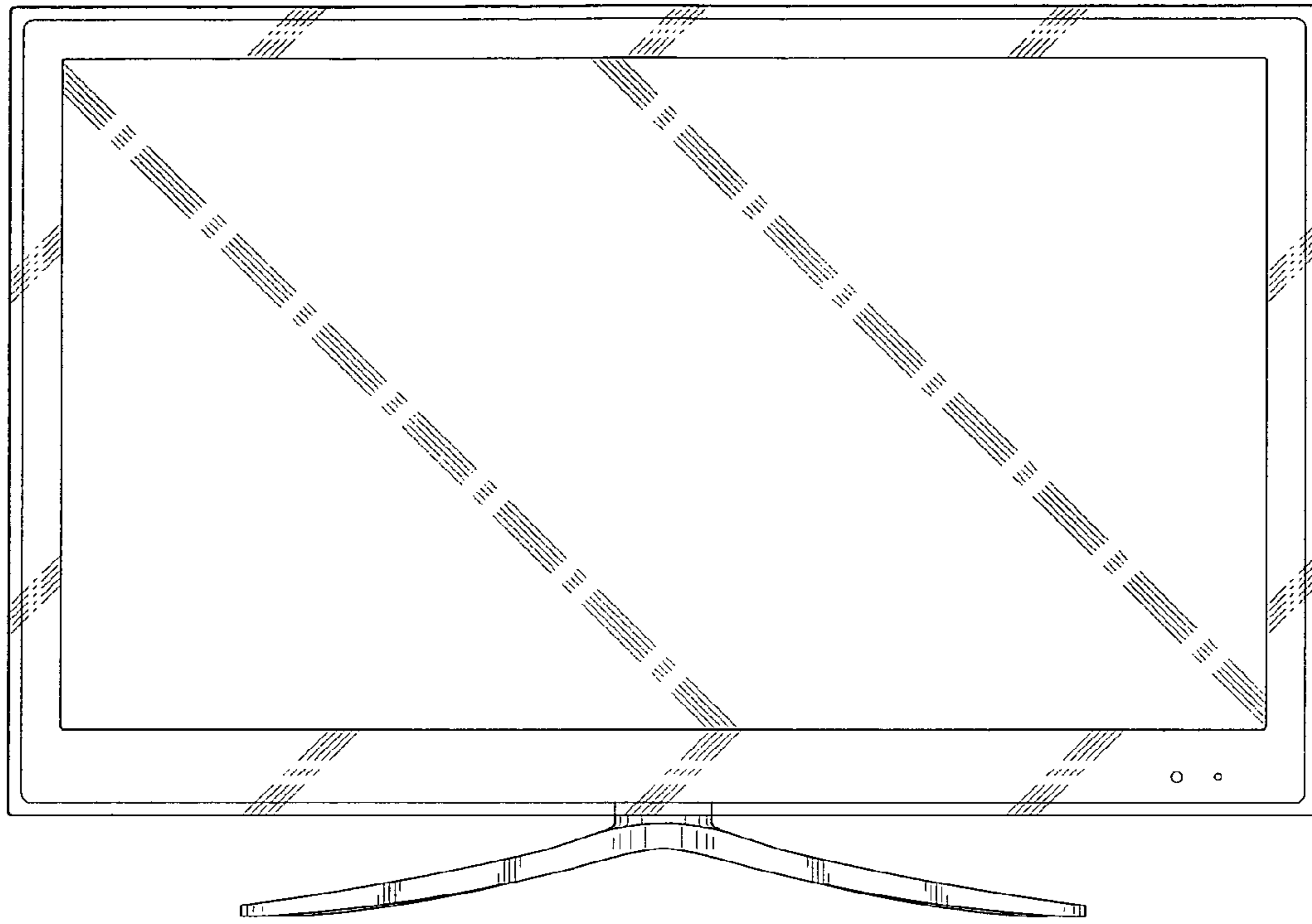


FIG. 2

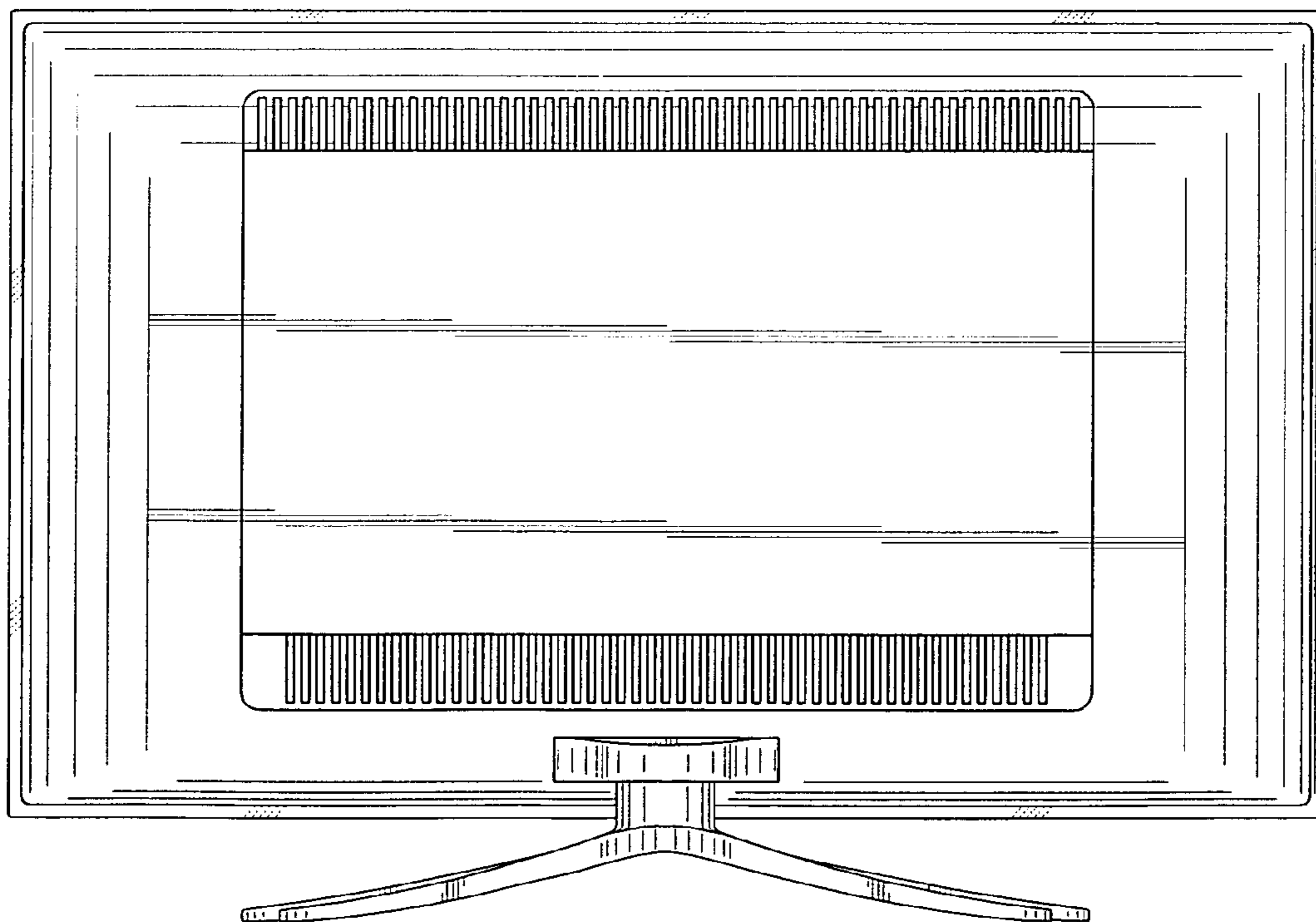


FIG. 3

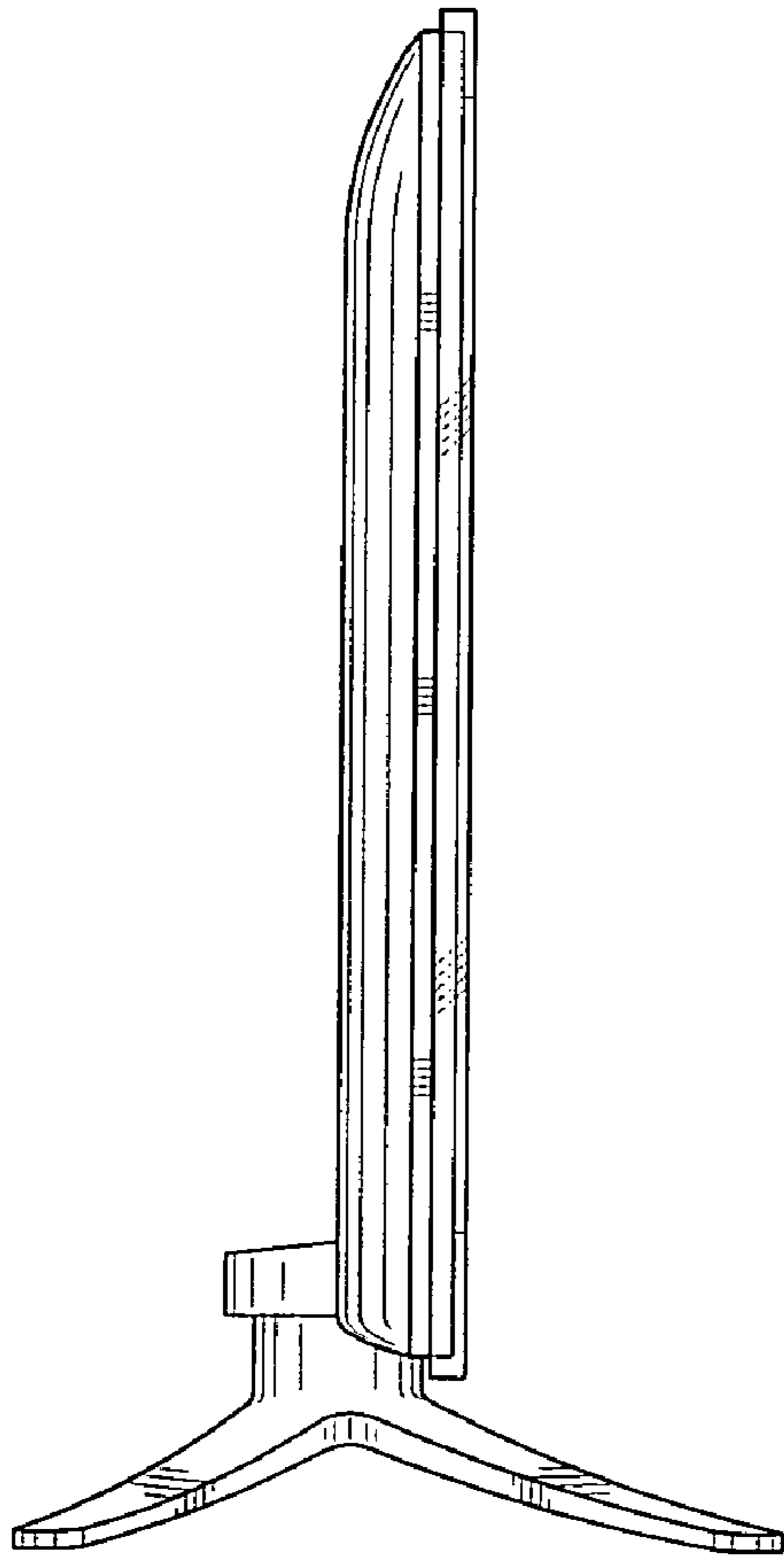


FIG. 4

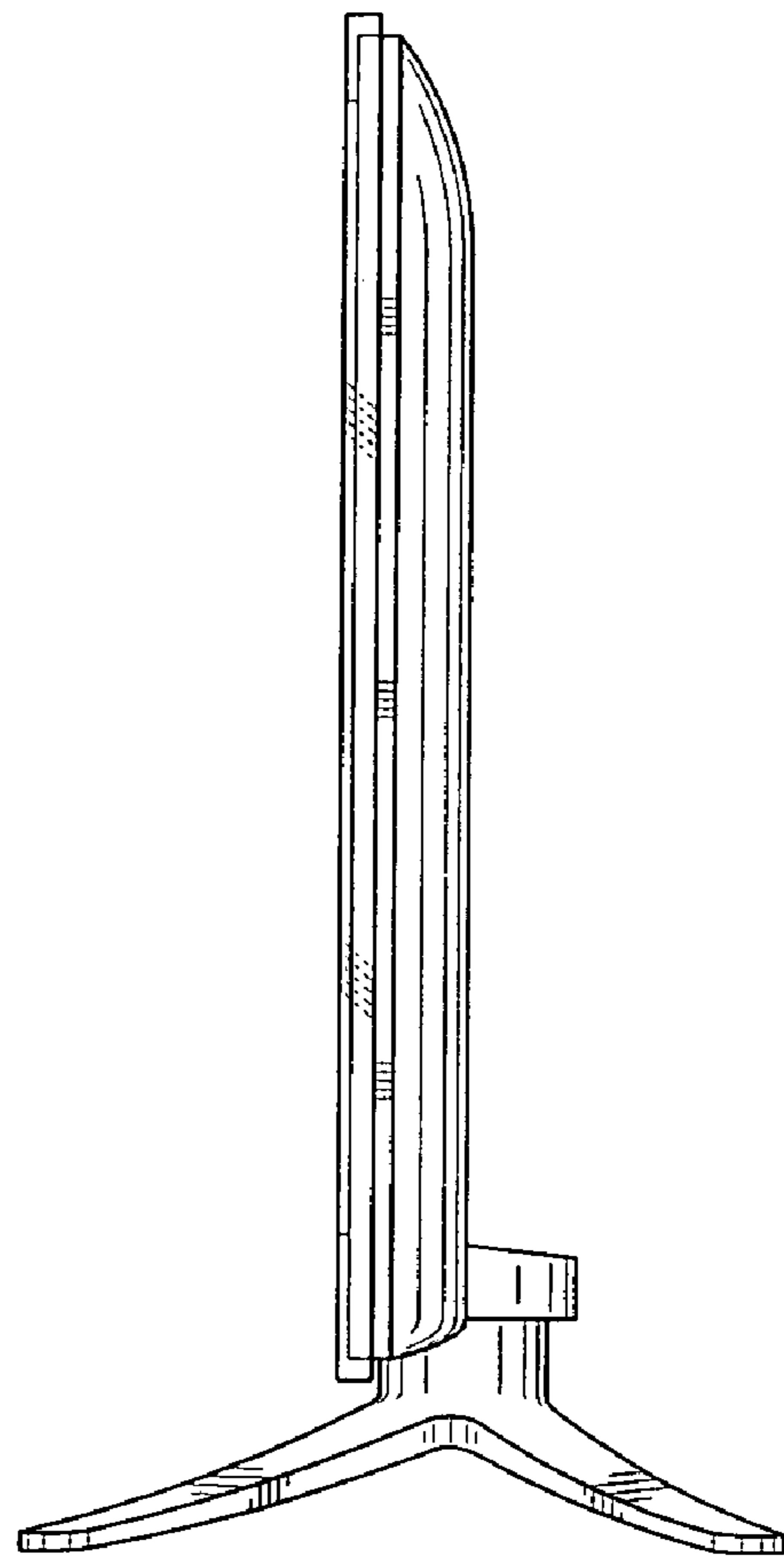


FIG. 5

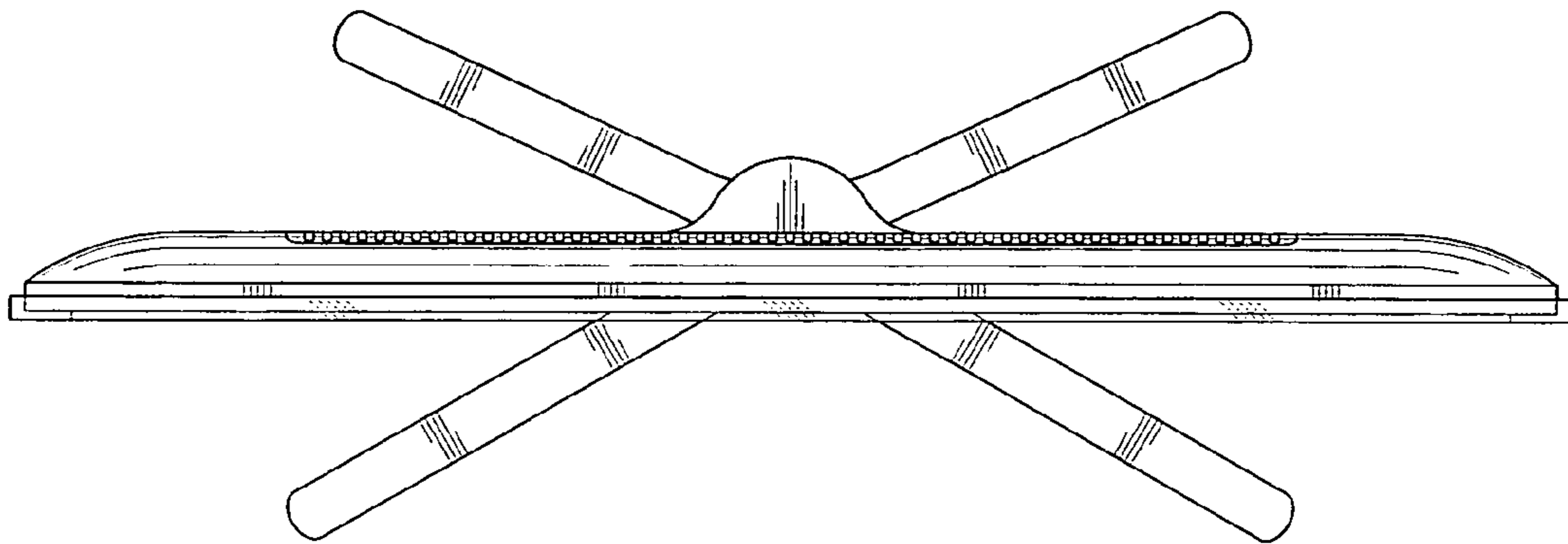


FIG. 6

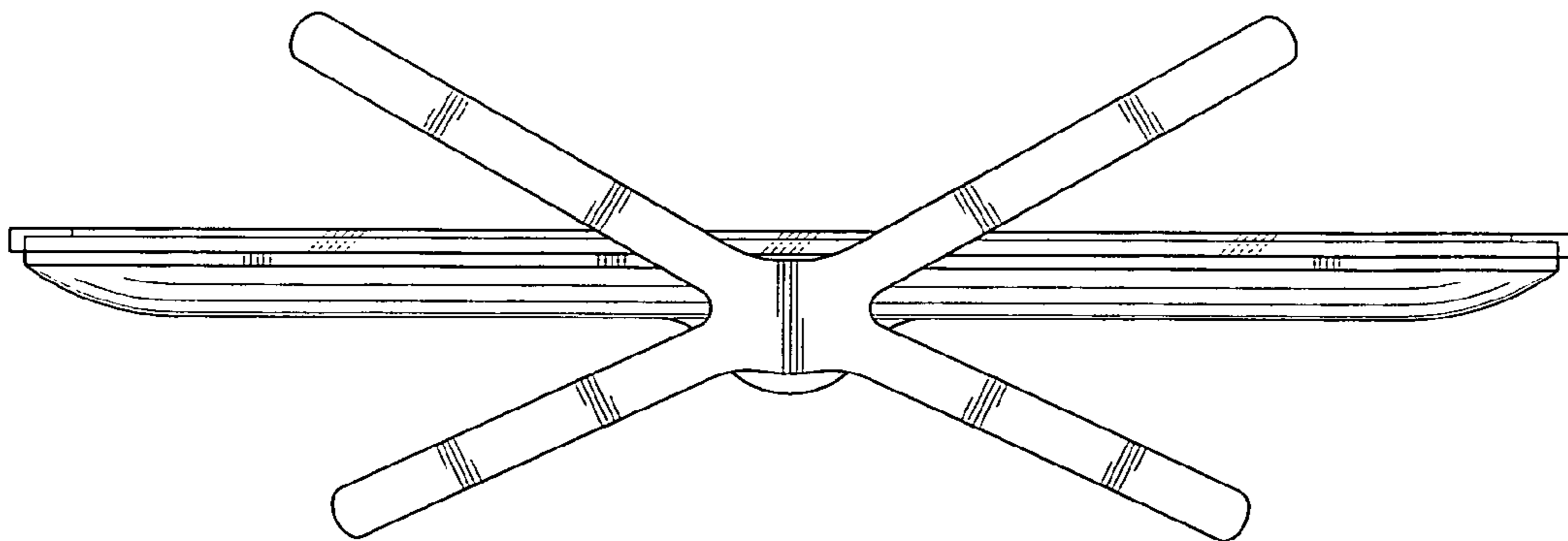


FIG. 7