



US00D644619S

(12) **United States Design Patent**
Constin et al.

(10) **Patent No.:** **US D644,619 S**

(45) **Date of Patent:** **** Sep. 6, 2011**

(54) **SATELLITE RECEIVER**

(75) Inventors: **Hans-Peter Constin**, Berlin (DE);
Aleksei Eisenach, Berlin (DE)

(73) Assignee: **Dream Property GmbH** (DE)

(**) Term: **14 Years**

(21) Appl. No.: **29/364,394**

(22) Filed: **Jun. 23, 2010**

(30) **Foreign Application Priority Data**

Dec. 23, 2009 (EM) 001651860

(51) **LOC (9) Cl.** **14-03**

(52) **U.S. Cl.** **D14/125**

(58) **Field of Classification Search** D14/125-13,
D14/168, 188, 197, 198, 371, 374-377; 312/7.1,
312/7.2; 348/836, 838, 180, 184, 325, 739;
341/12; 349/58; 720/600, 619, 646, 647,
720/655; 455/347-351; 369/75.11, 75.21
See application file for complete search history.

(56) **References Cited**

U.S. PATENT DOCUMENTS

- D399,840 S * 10/1998 Curbun et al. D14/358
- D408,037 S * 4/1999 Althans et al. D14/257
- D412,327 S * 7/1999 Curbun et al. D14/496
- D415,486 S * 10/1999 Lee et al. D14/126
- D416,264 S * 11/1999 Althans et al. D14/257
- D434,737 S * 12/2000 Jensen et al. D14/125
- D445,097 S * 7/2001 Jensen et al. D14/125

- D448,353 S * 9/2001 Chang D14/125
- D450,695 S * 11/2001 Reynolds et al. D14/368
- D458,908 S * 6/2002 Liu D14/125
- D554,600 S 11/2007 Gwordz
- D566,667 S * 4/2008 Whittaker et al. D14/125
- D566,668 S * 4/2008 Whittaker et al. D14/125
- D571,743 S * 6/2008 Tu D14/125
- D588,558 S 3/2009 Gwozdz

* cited by examiner

Primary Examiner — Raphael Barkai

Assistant Examiner — Randall Gholson

(74) *Attorney, Agent, or Firm* — Harness, Dickey & Pierce,
P.L.C.

(57) **CLAIM**

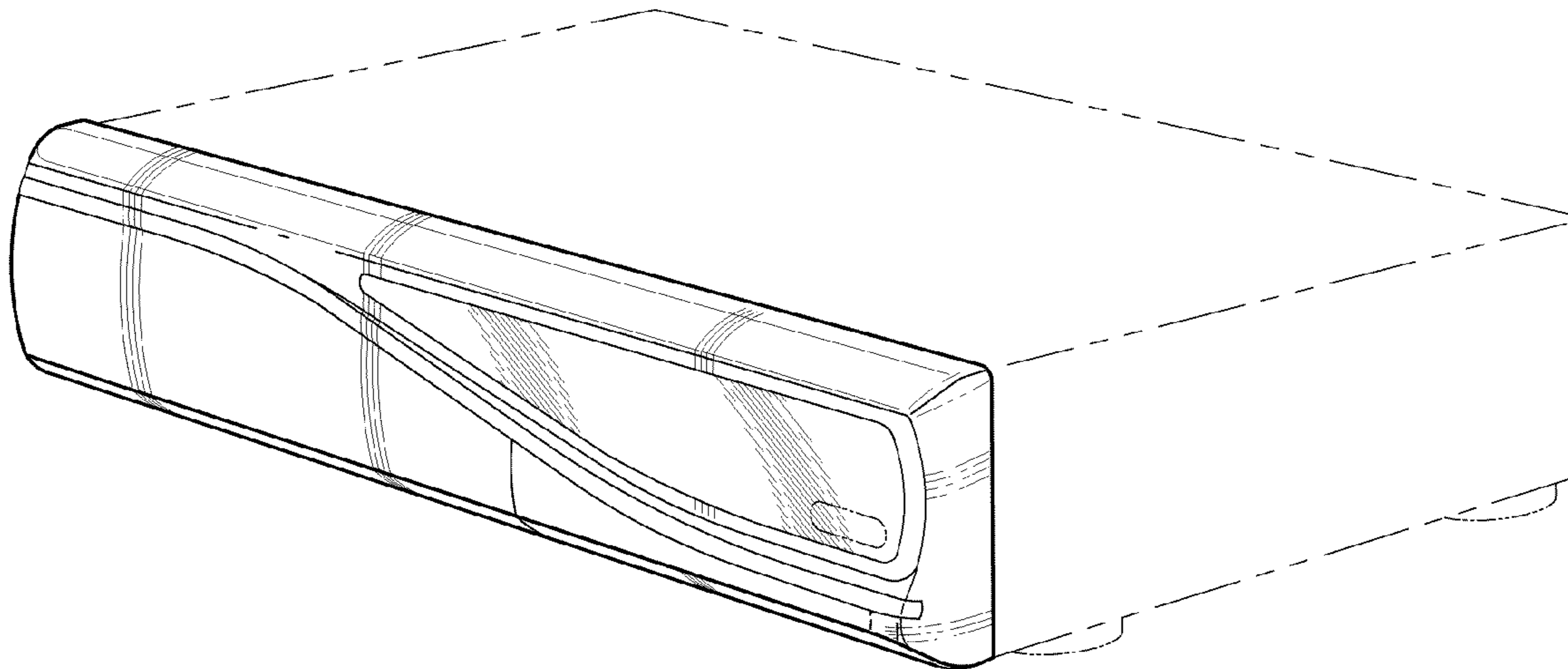
The ornamental design for a satellite receiver, as shown and described.

DESCRIPTION

FIG. 1 is a perspective view of a satellite receiver embodying our new design, taken from the front, top and right side; FIG. 2 is a perspective view thereof, taken from the front, top and left side; FIG. 3 is a perspective view thereof similar to FIG. 2 showing the front panel in an open position; FIG. 4 is a front view thereof; FIG. 5 is a top view thereof; FIG. 6 is a right side view thereof; and, FIG. 7 is a left side view thereof.

The broken lines show environment structure and form no part of the claimed design.

1 Claim, 2 Drawing Sheets



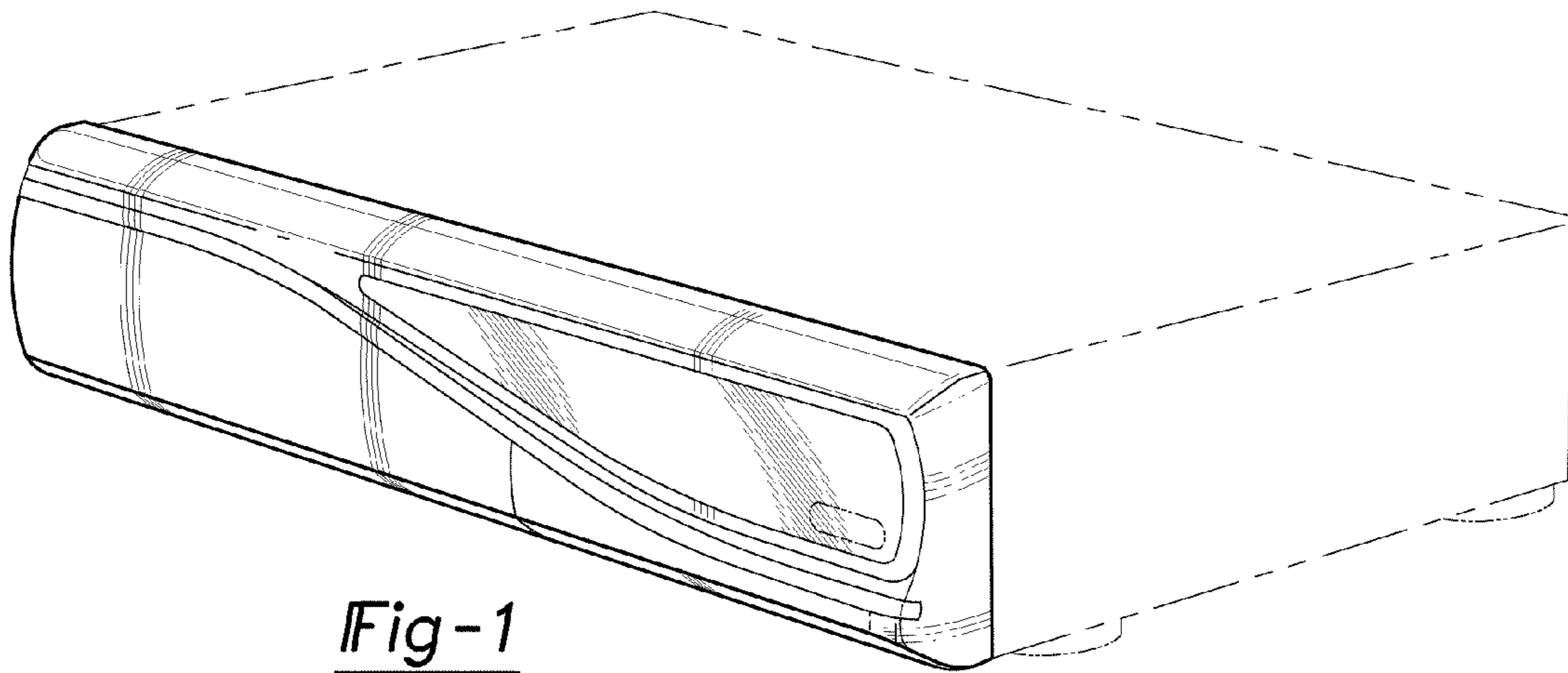


Fig-1

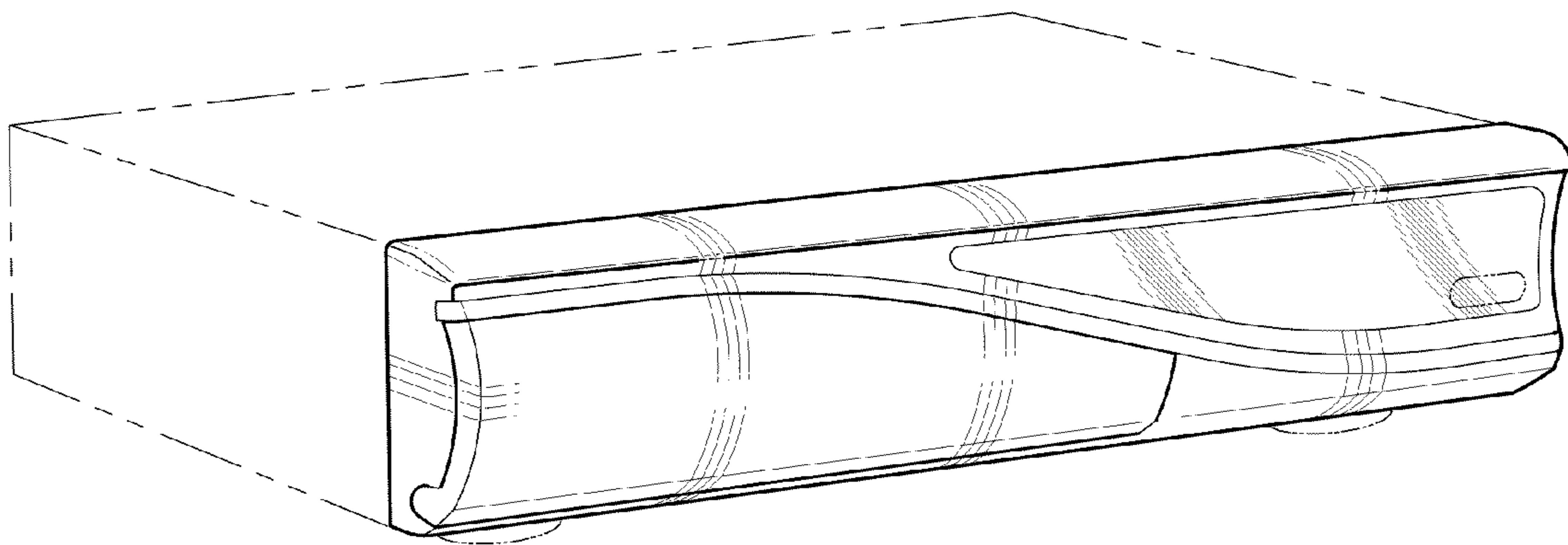


Fig-2

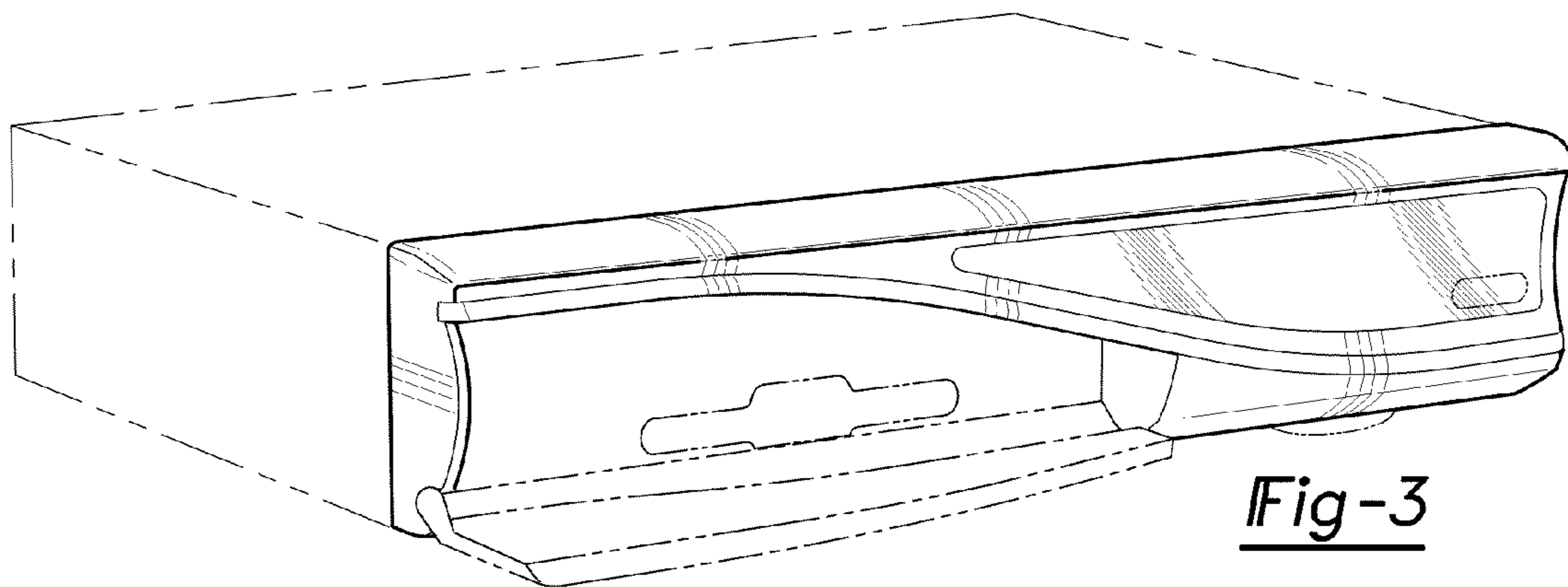


Fig-3

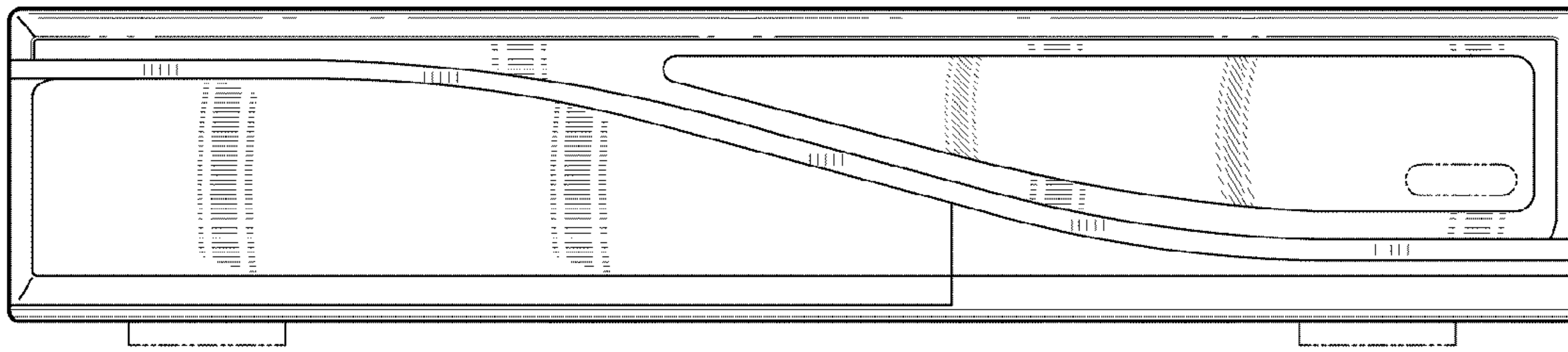


Fig-4



Fig-5



Fig-6

Fig-7

