



US00D644617S

(12) **United States Design Patent**
Nishino et al.

(10) **Patent No.:** **US D644,617 S**

(45) **Date of Patent:** **** Sep. 6, 2011**

(54) **LIGHT EMITTING DIODE CASE**

(75) Inventors: **Masanori Nishino**, Kyoto (JP); **Hiroshi Horiki**, Kyoto (JP)

(73) Assignee: **Panasonic Corporation**, Osaka (JP)

(**) Term: **14 Years**

(21) Appl. No.: **29/380,409**

(22) Filed: **Dec. 3, 2010**

(30) **Foreign Application Priority Data**

Jul. 20, 2010	(JP)	2010-017535
Jul. 20, 2010	(JP)	2010-017538
Jul. 20, 2010	(JP)	2010-017539

(51) **LOC (9) Cl.** **13-03**

(52) **U.S. Cl.** **D13/180**

(58) **Field of Classification Search** D13/180;
257/79, 80, 81, 88, 89, 95, 98, 99, 100, E33.058;
313/483, 498, 500; 362/555, 800

See application file for complete search history.

(56) **References Cited**

U.S. PATENT DOCUMENTS

D578,084	S	*	10/2008	Kobayakawa	D13/180
D595,674	S	*	7/2009	Wang et al.	D13/180
D595,675	S	*	7/2009	Wang et al.	D13/180
D598,400	S		8/2009	Bando		
D608,309	S		1/2010	Kim		
D621,799	S		8/2010	Hussell et al.		
D622,680	S		8/2010	Lin et al.		
D626,095	S		10/2010	Hsieh		
D627,310	S	*	11/2010	Lin et al.	D13/180
D634,284	S	*	3/2011	Ko et al.	D13/180
D634,286	S	*	3/2011	Ko et al.	D13/180

FOREIGN PATENT DOCUMENTS

JP	D1343730	10/2008
JP	D1344180	10/2008
JP	D1392236	6/2010

* cited by examiner

Primary Examiner — Selina Sikder

(74) *Attorney, Agent, or Firm* — Brinks Hofer Gilson & Lione

(57) **CLAIM**

We claim the ornamental design for a light emitting diode case, as shown and described.

DESCRIPTION

FIG. 1 is a front perspective view of a first embodiment of a light emitting diode case of the present invention;
 FIG. 2 is a rear perspective view thereof;
 FIG. 3 is a front view thereof;
 FIG. 4 is a rear view thereof;
 FIG. 5 is a first side view thereof;
 FIG. 6 is a second side view thereof;
 FIG. 7 is a top view thereof;
 FIG. 8 is a bottom view thereof;
 FIG. 9 is a front perspective view of a second embodiment of a light emitting diode case of the present invention;
 FIG. 10 is a rear perspective view thereof;
 FIG. 11 is a front view thereof;
 FIG. 12 is a rear view thereof;
 FIG. 13 is a first side view thereof;
 FIG. 14 is a second side view thereof;
 FIG. 15 is a top view thereof; and,
 FIG. 16 is a bottom view thereof.
 FIG. 17 is a front perspective view of a third embodiment of a light emitting diode case of the present invention;
 FIG. 18 is rear perspective view;
 FIG. 19 is a front view thereof;
 FIG. 20 is a rear view thereof;
 FIG. 21 is a first side view thereof;
 FIG. 22 is a second side view thereof;
 FIG. 23 is a top view thereof; and,
 FIG. 24 is a bottom view thereof.

1 Claim, 24 Drawing Sheets

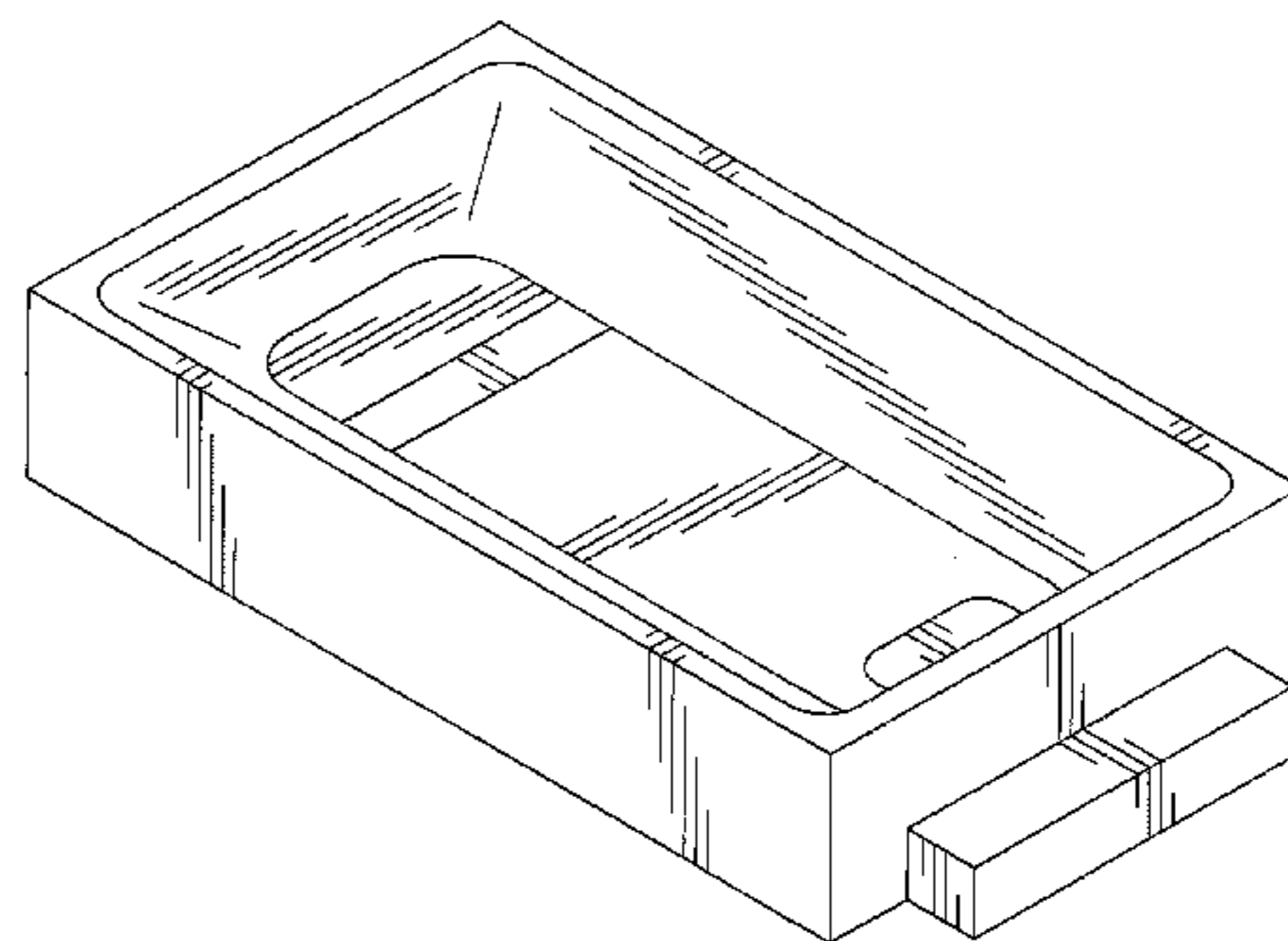
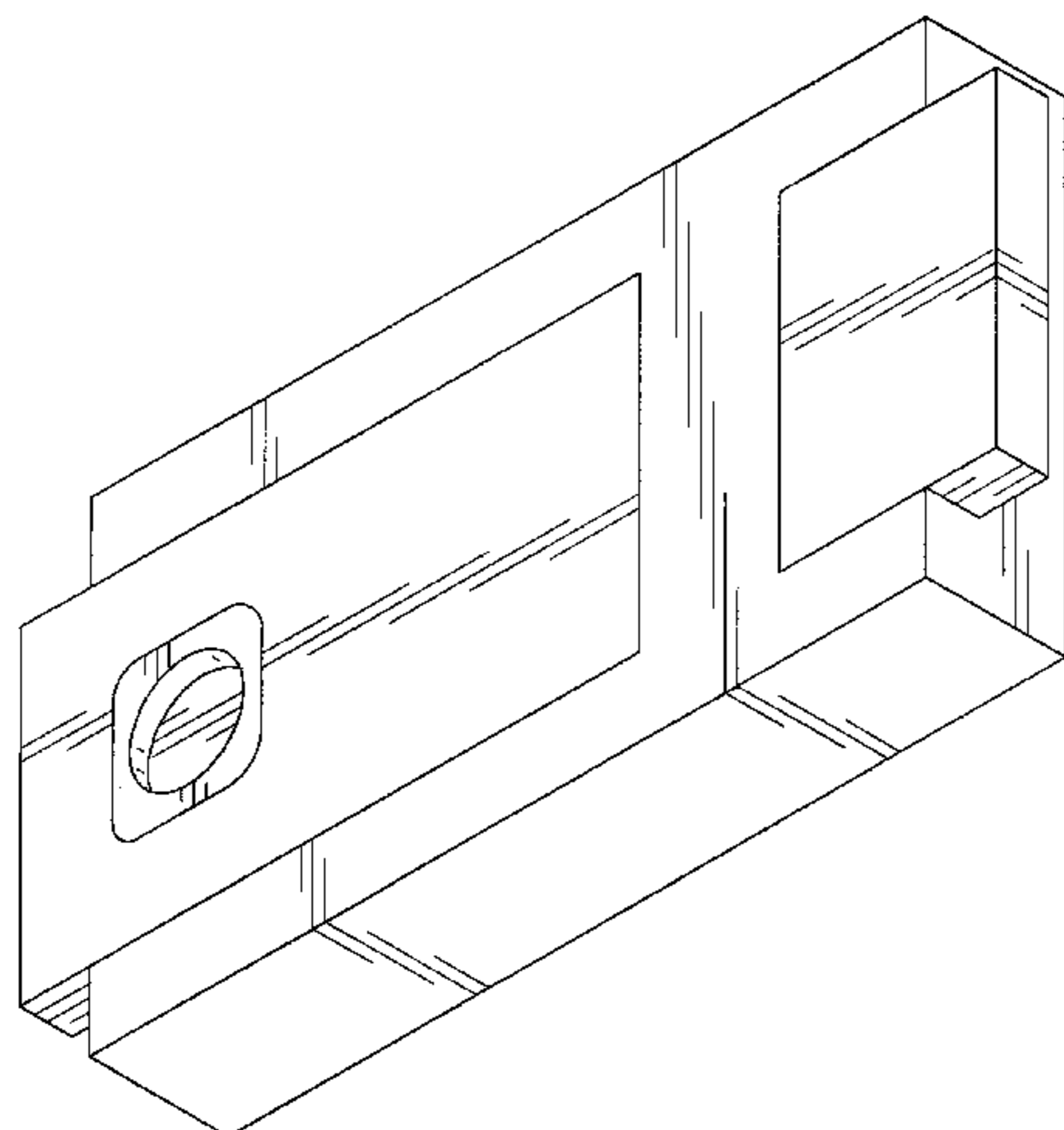


FIG. 1

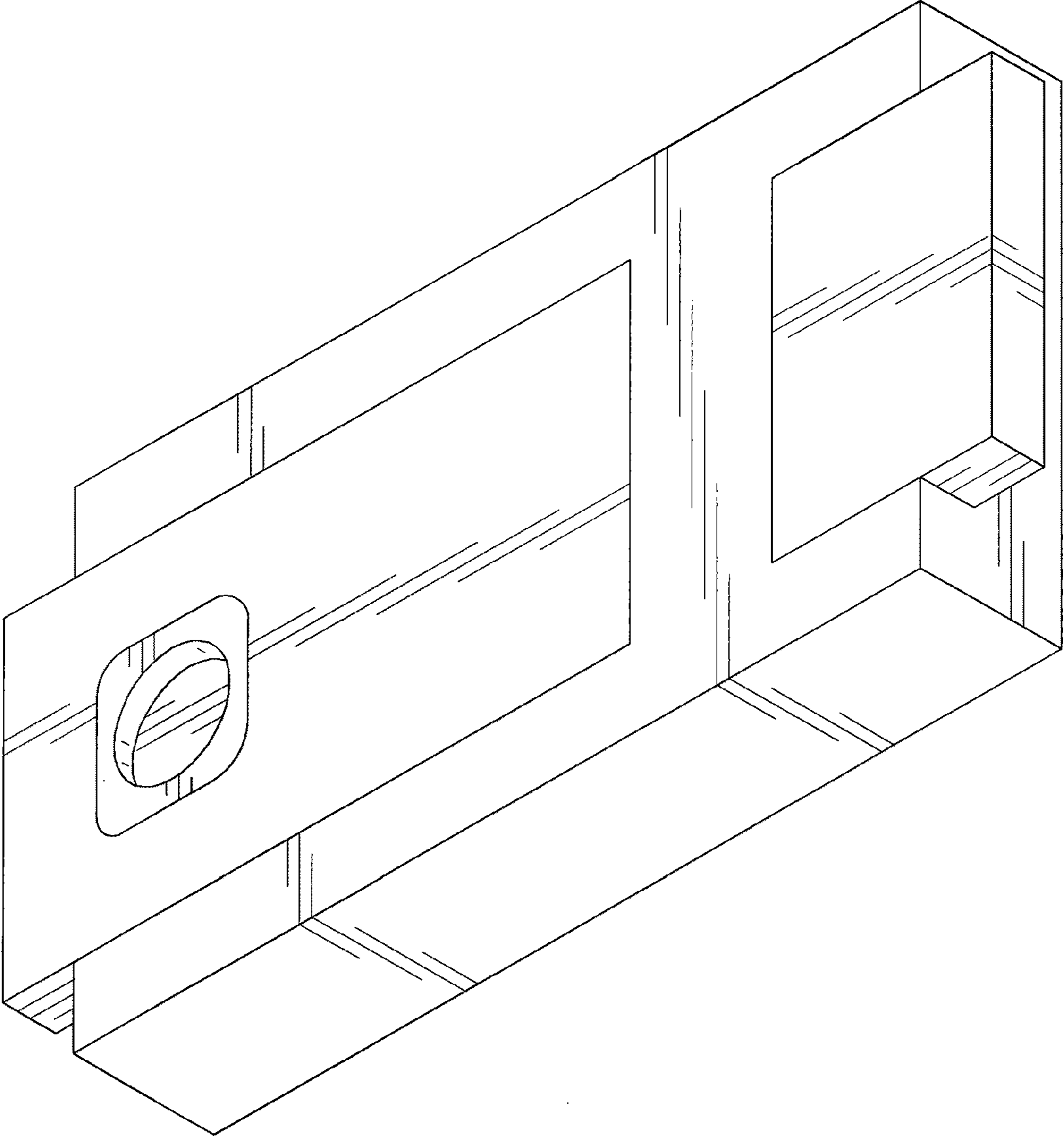


FIG. 2

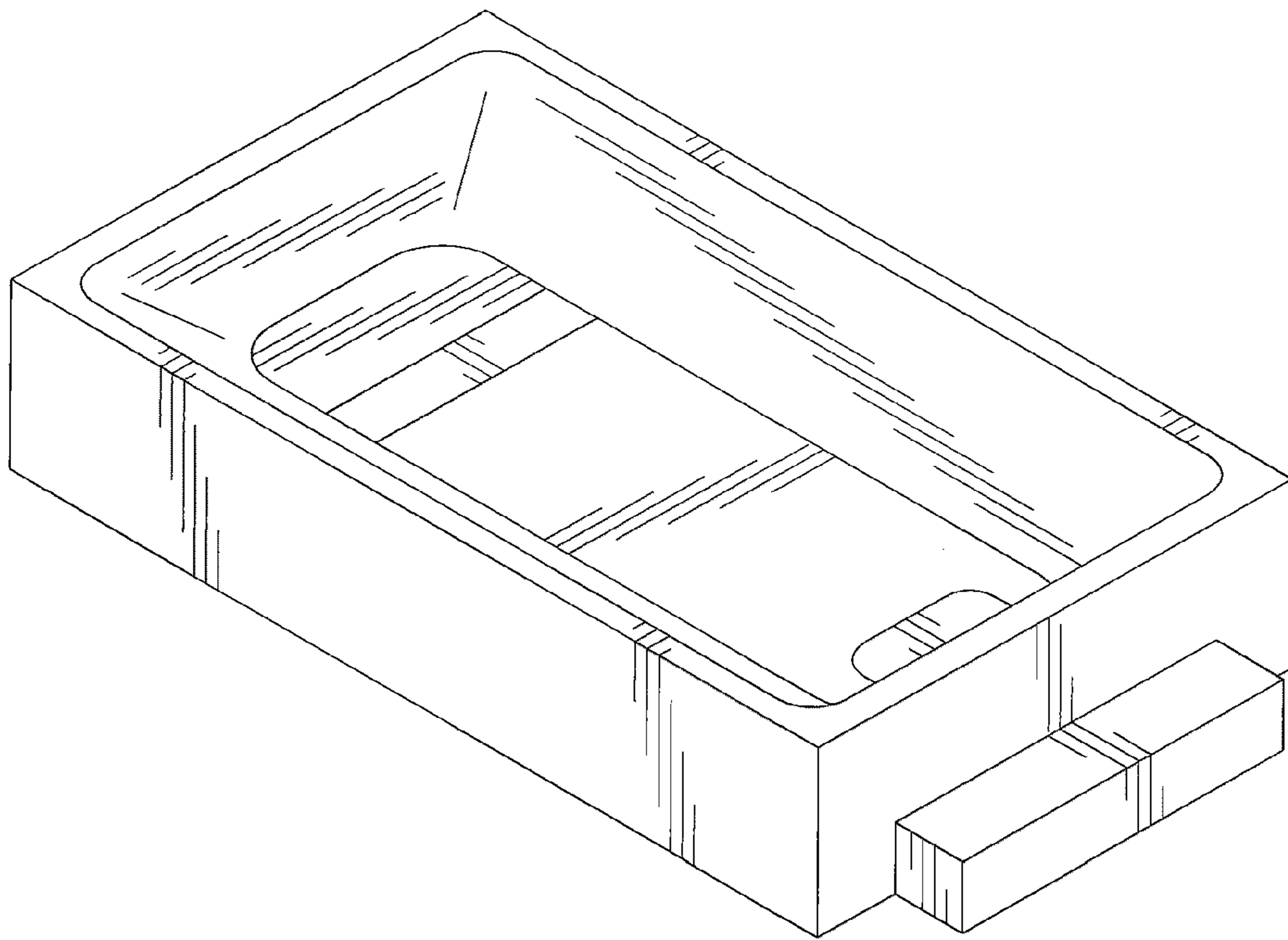


FIG. 3

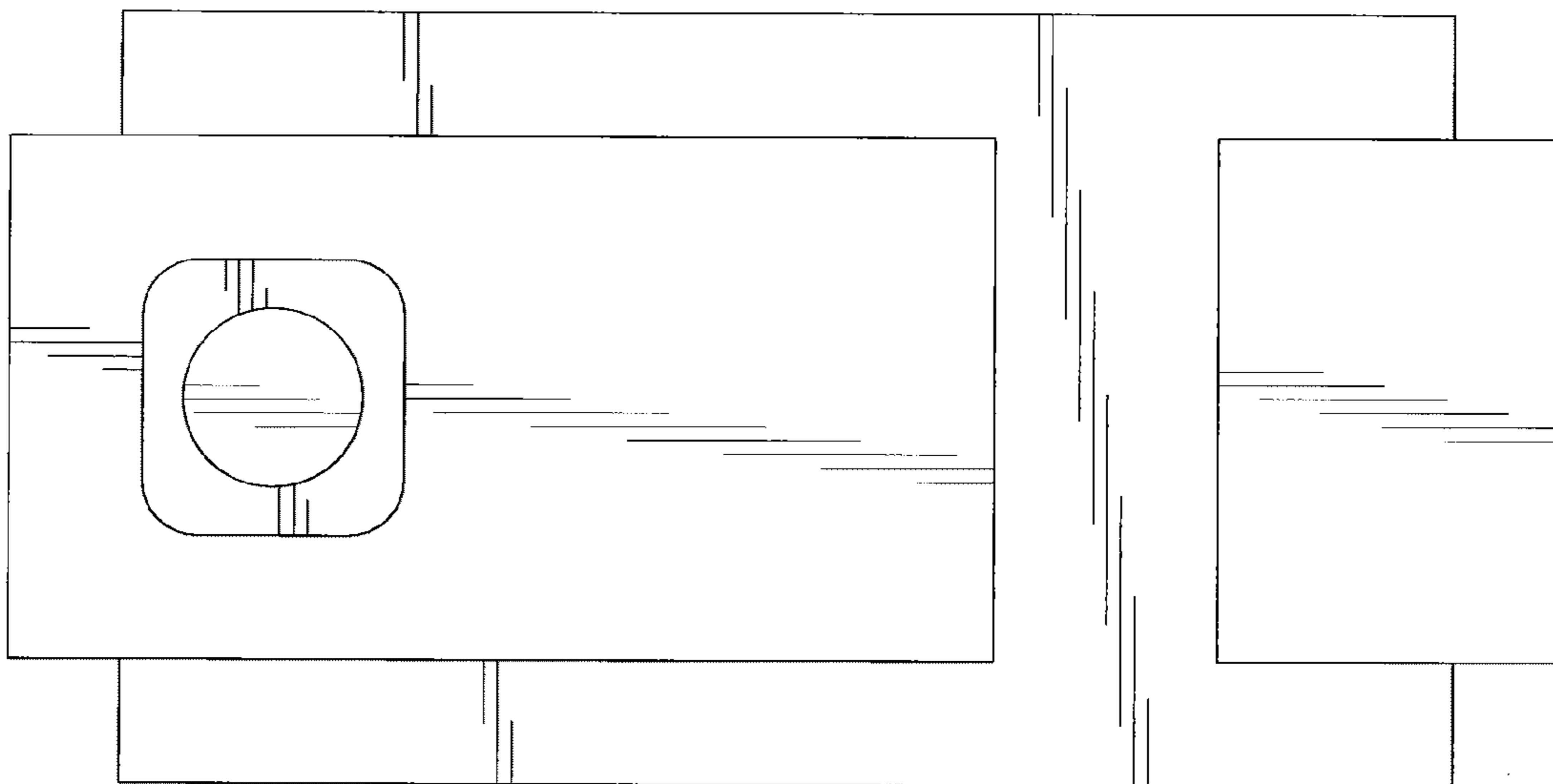


FIG. 4

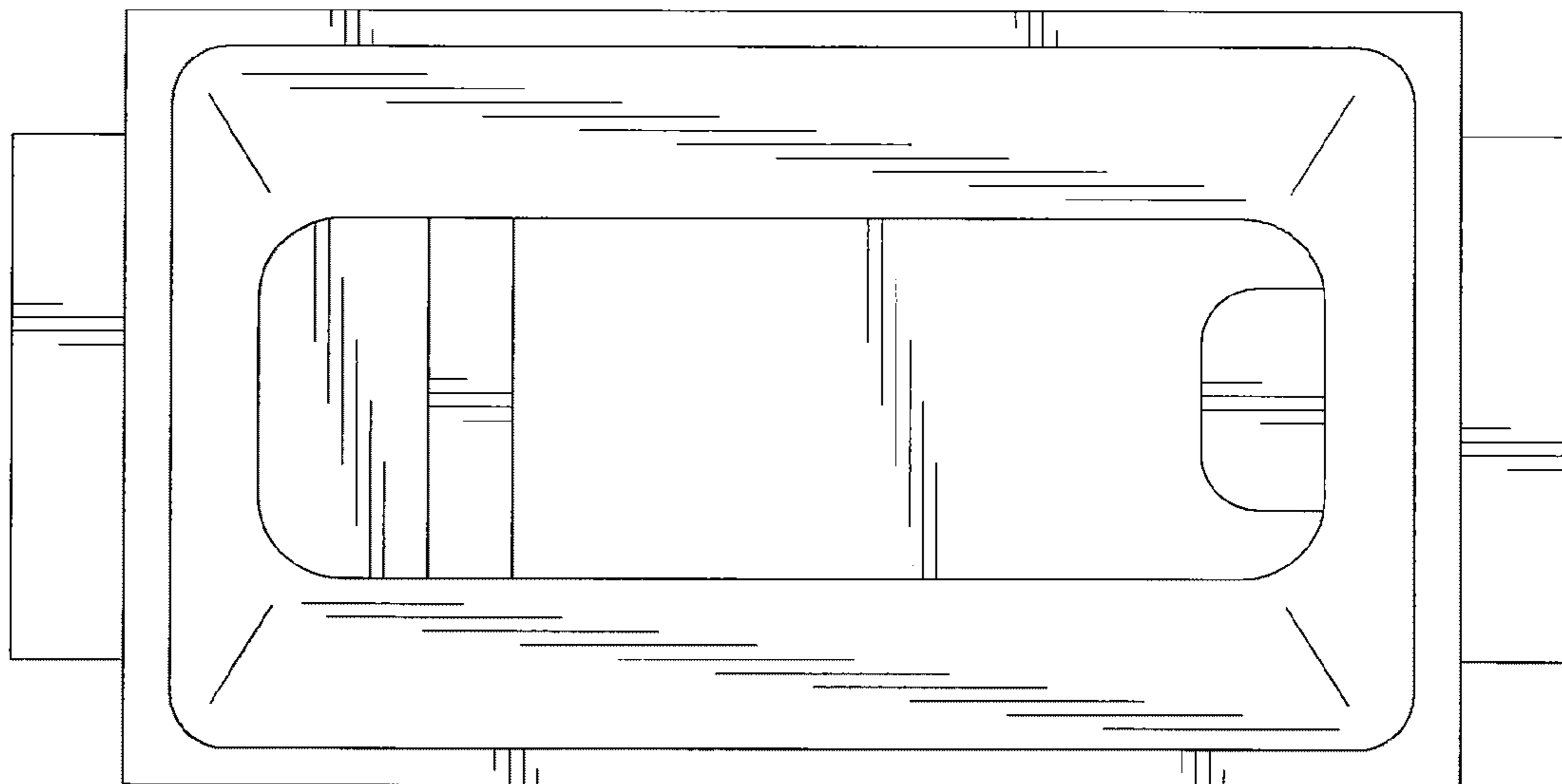


FIG. 5

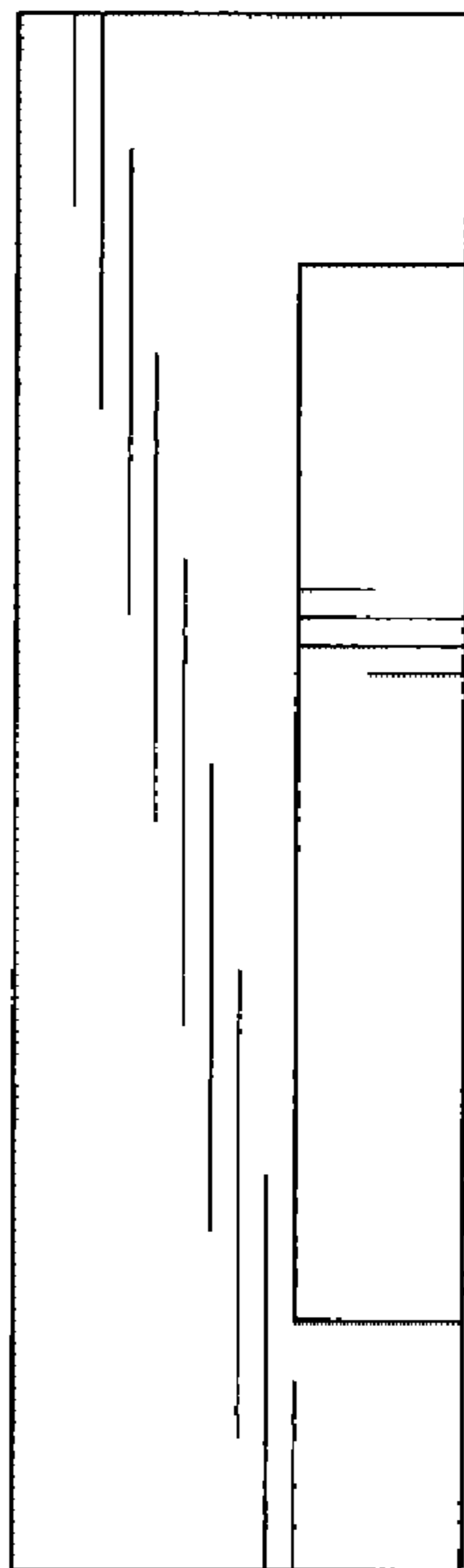


FIG. 6

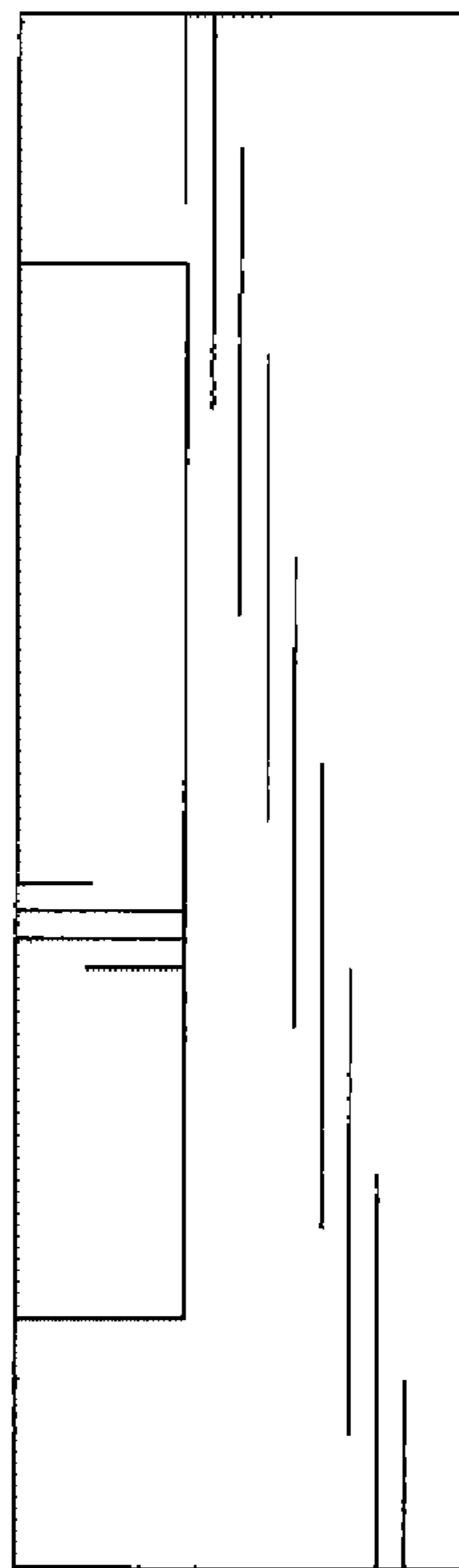


FIG. 7

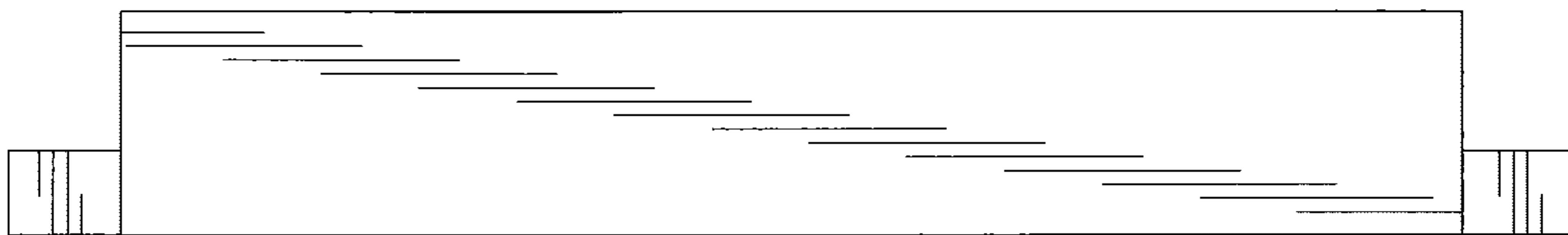


FIG. 8

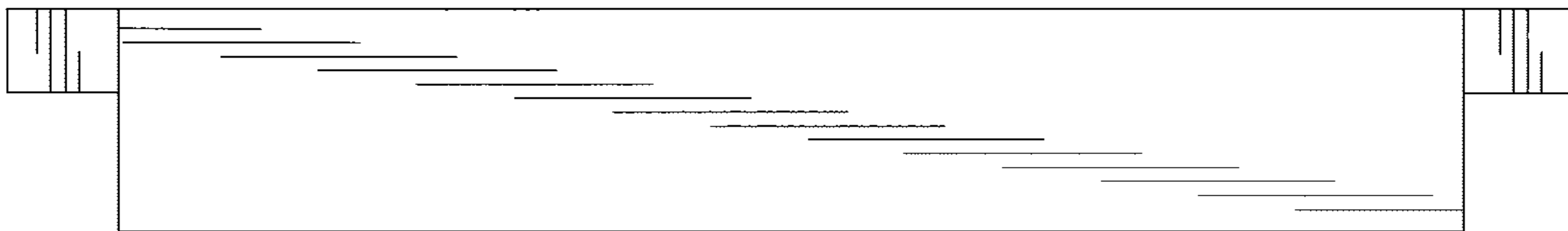


FIG. 9

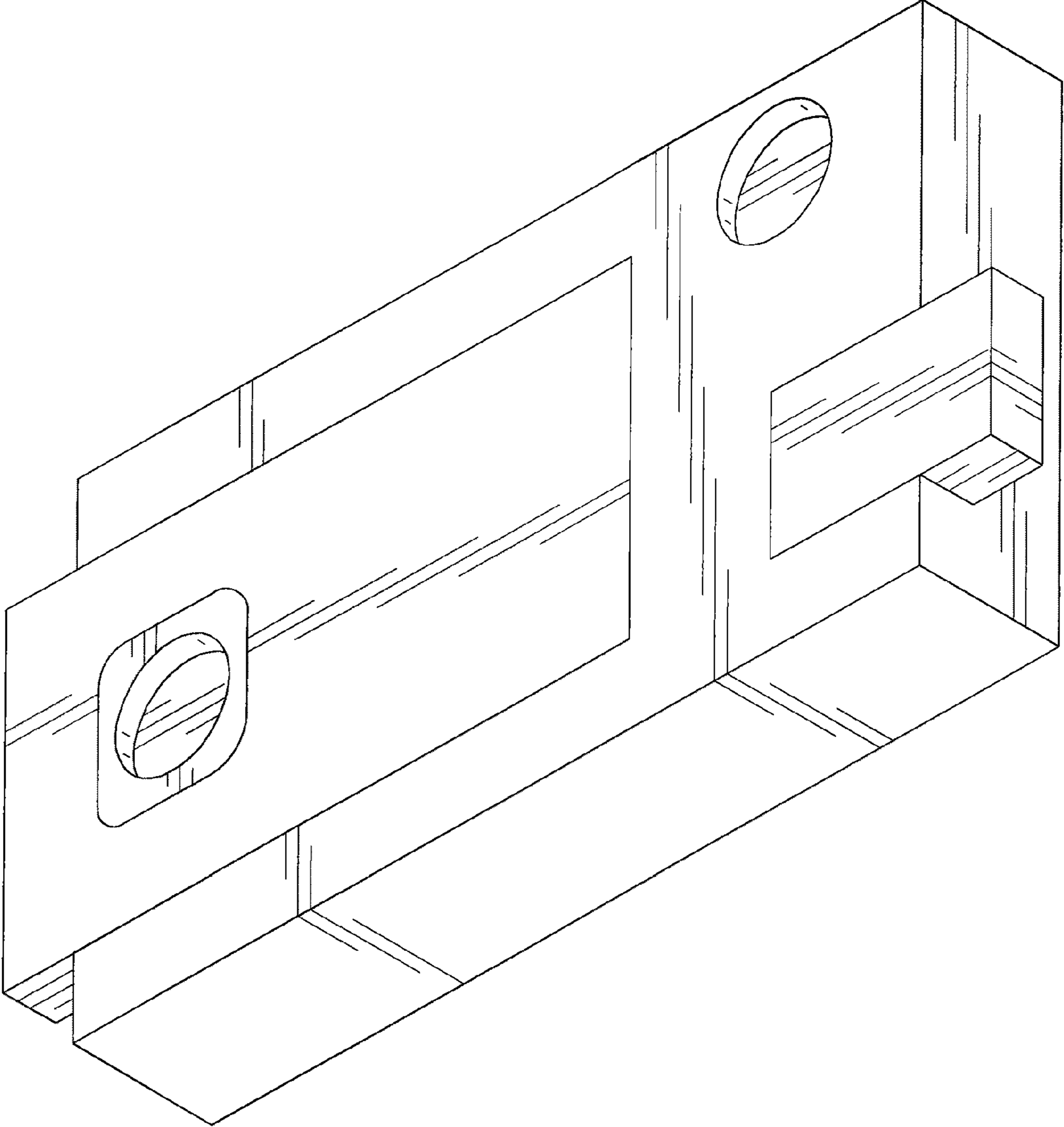


FIG. 10

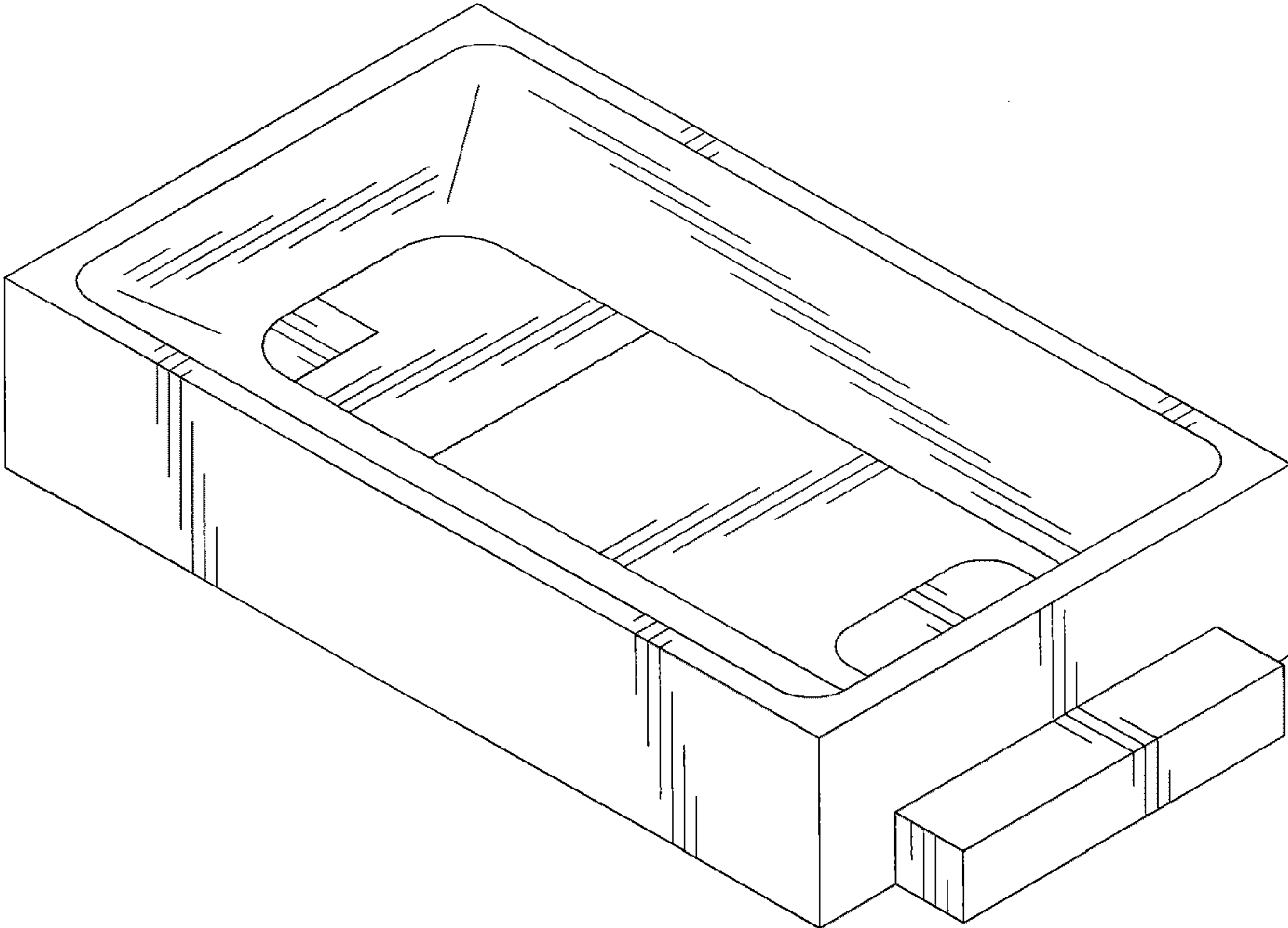


FIG. 11

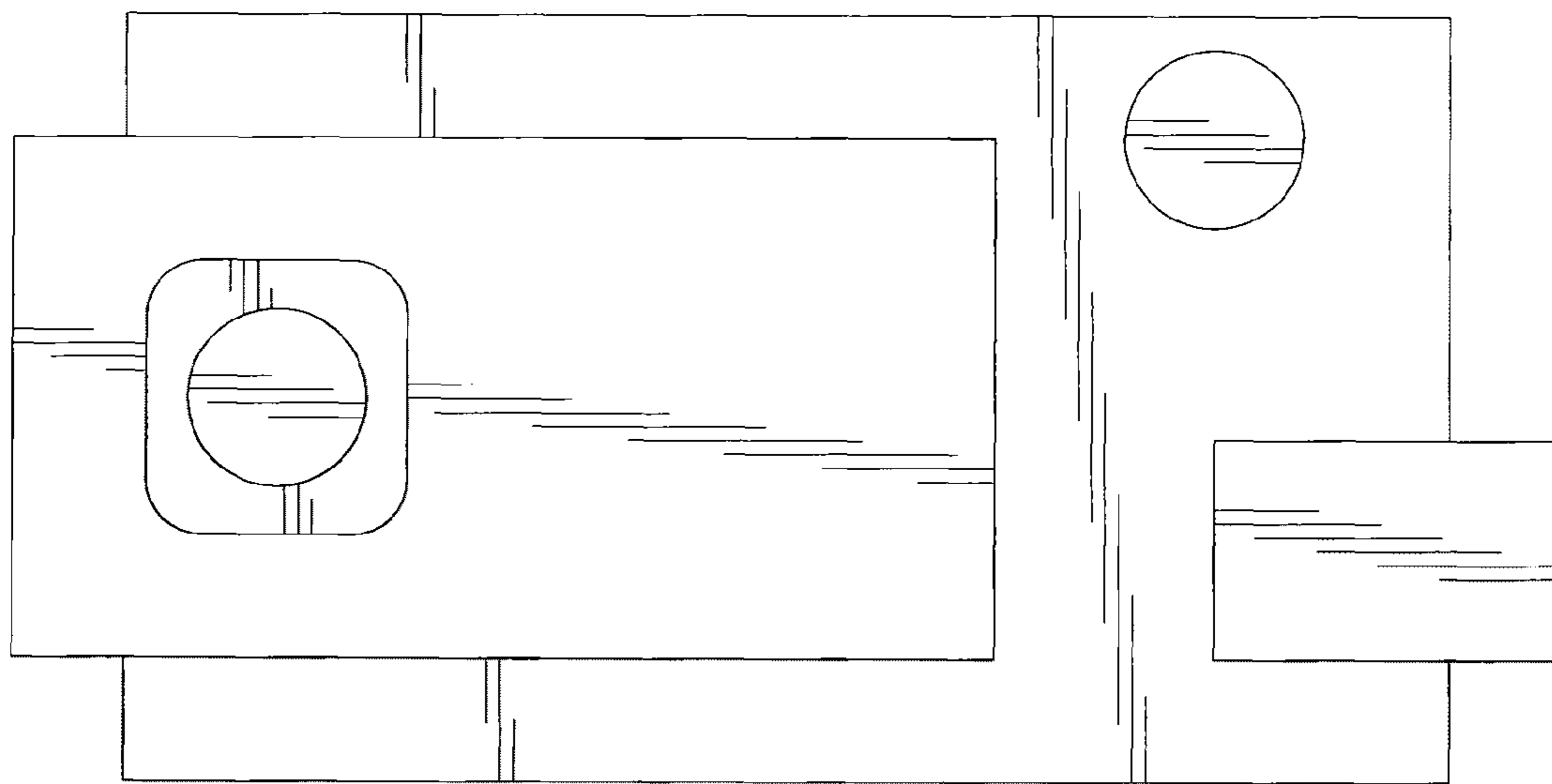


FIG. 12

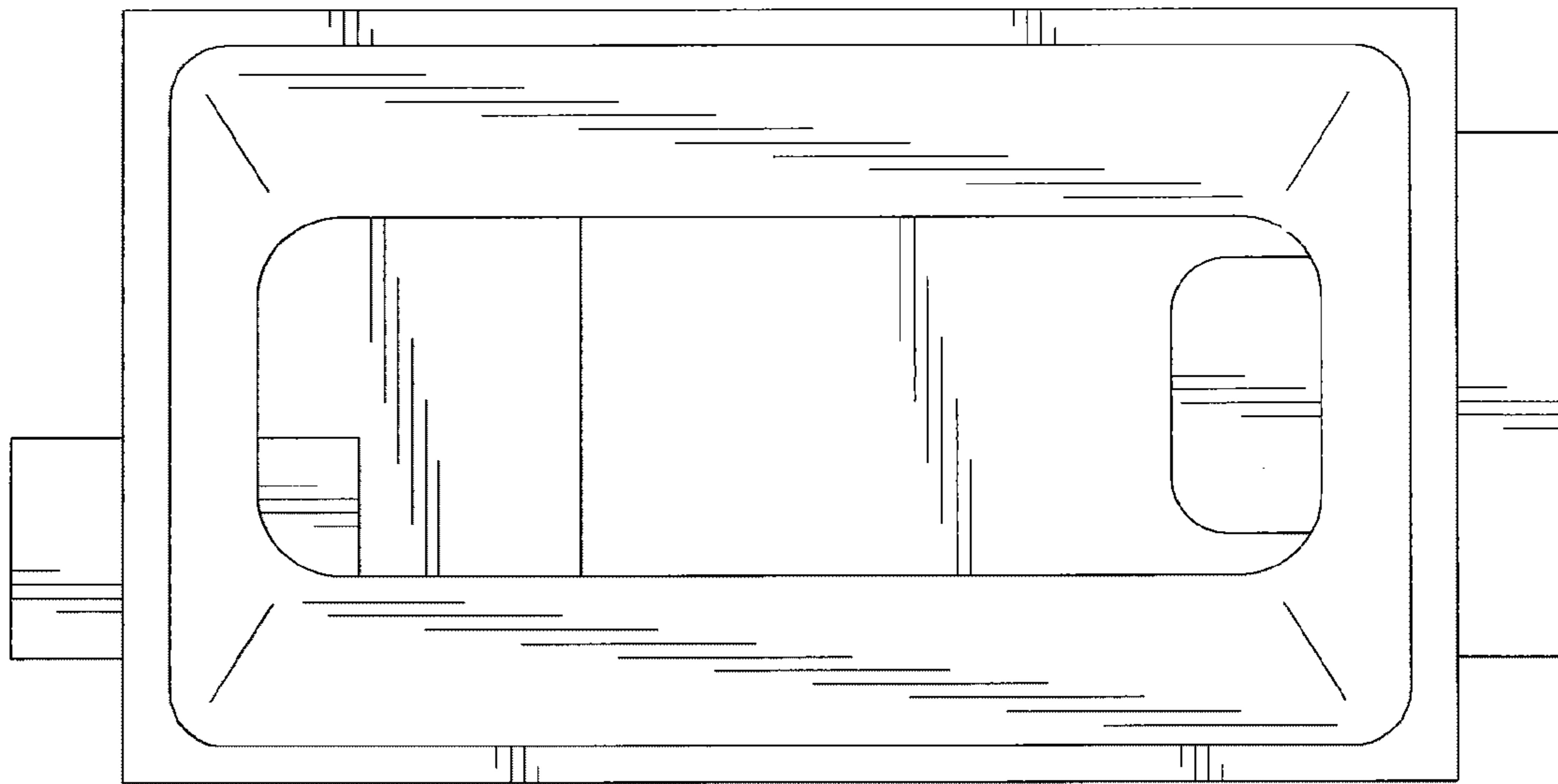


FIG. 13

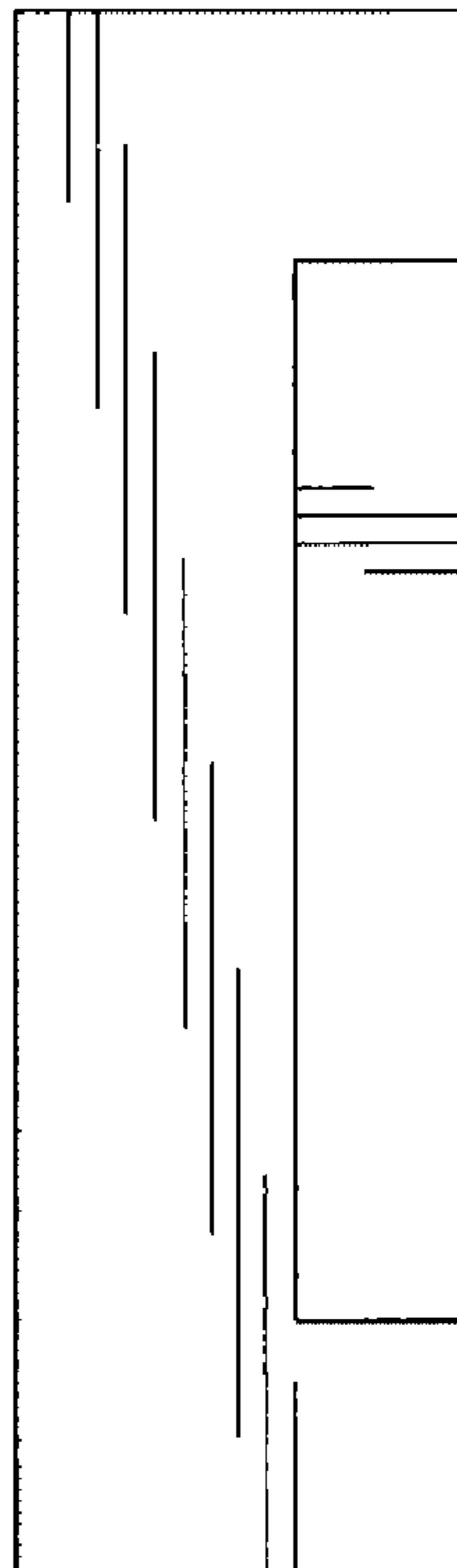


FIG. 14

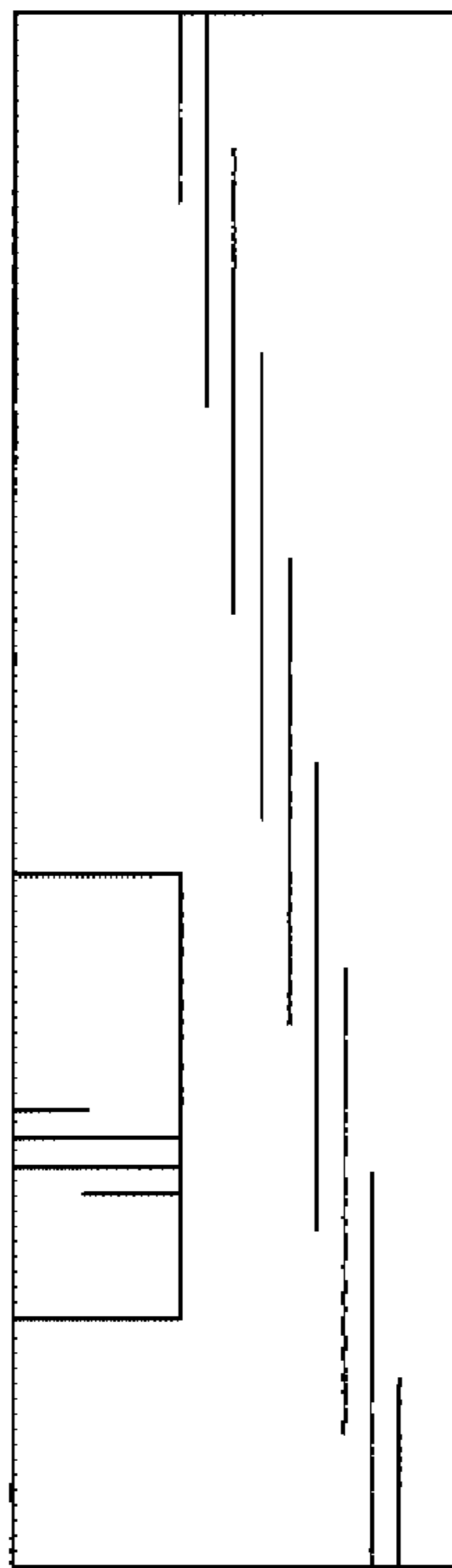


FIG. 15

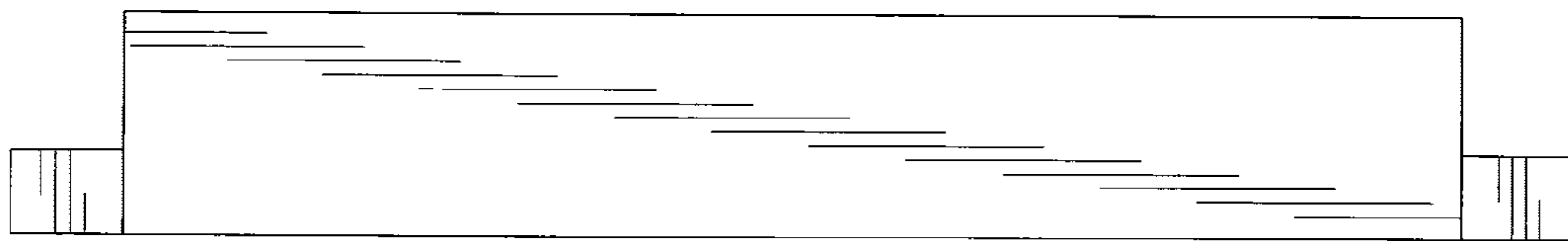


FIG. 16

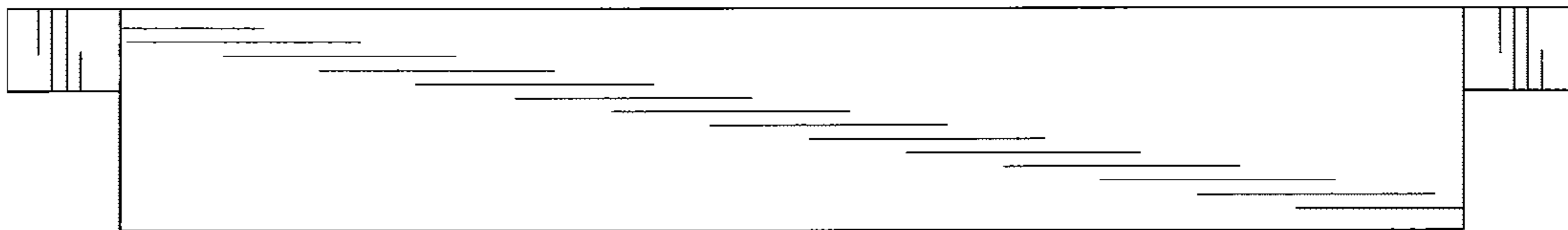


FIG. 17

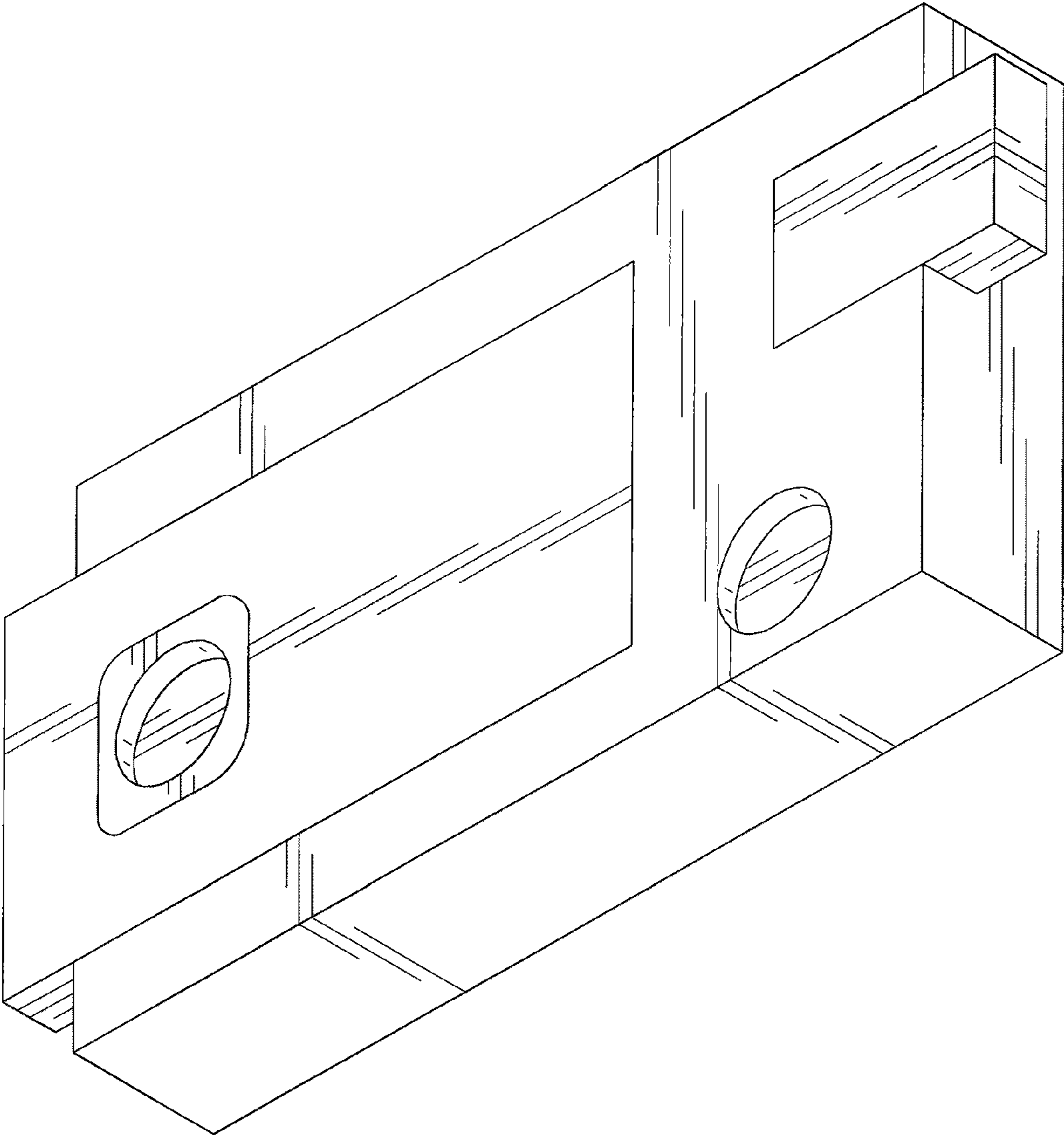


FIG. 18

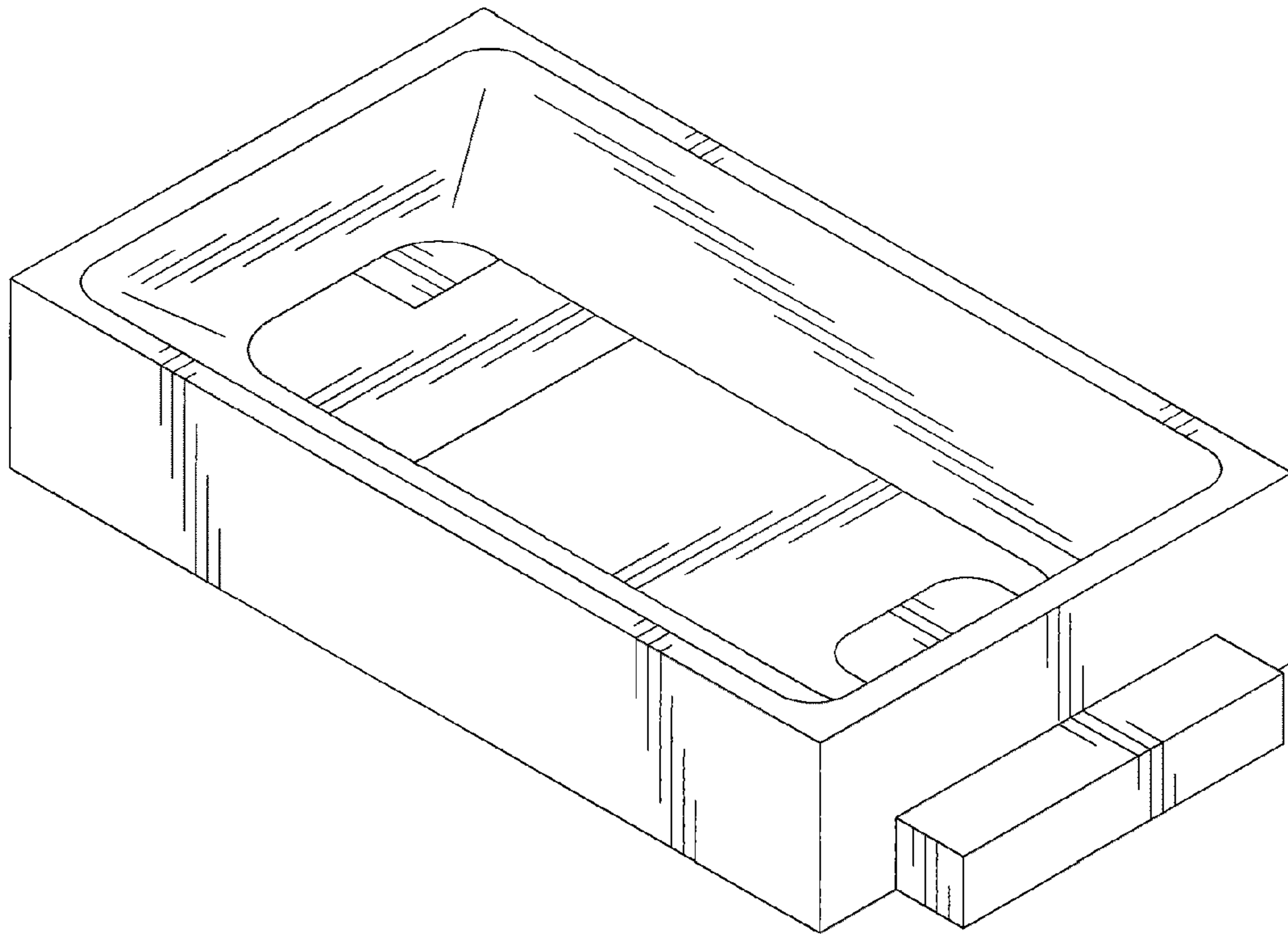


FIG. 19

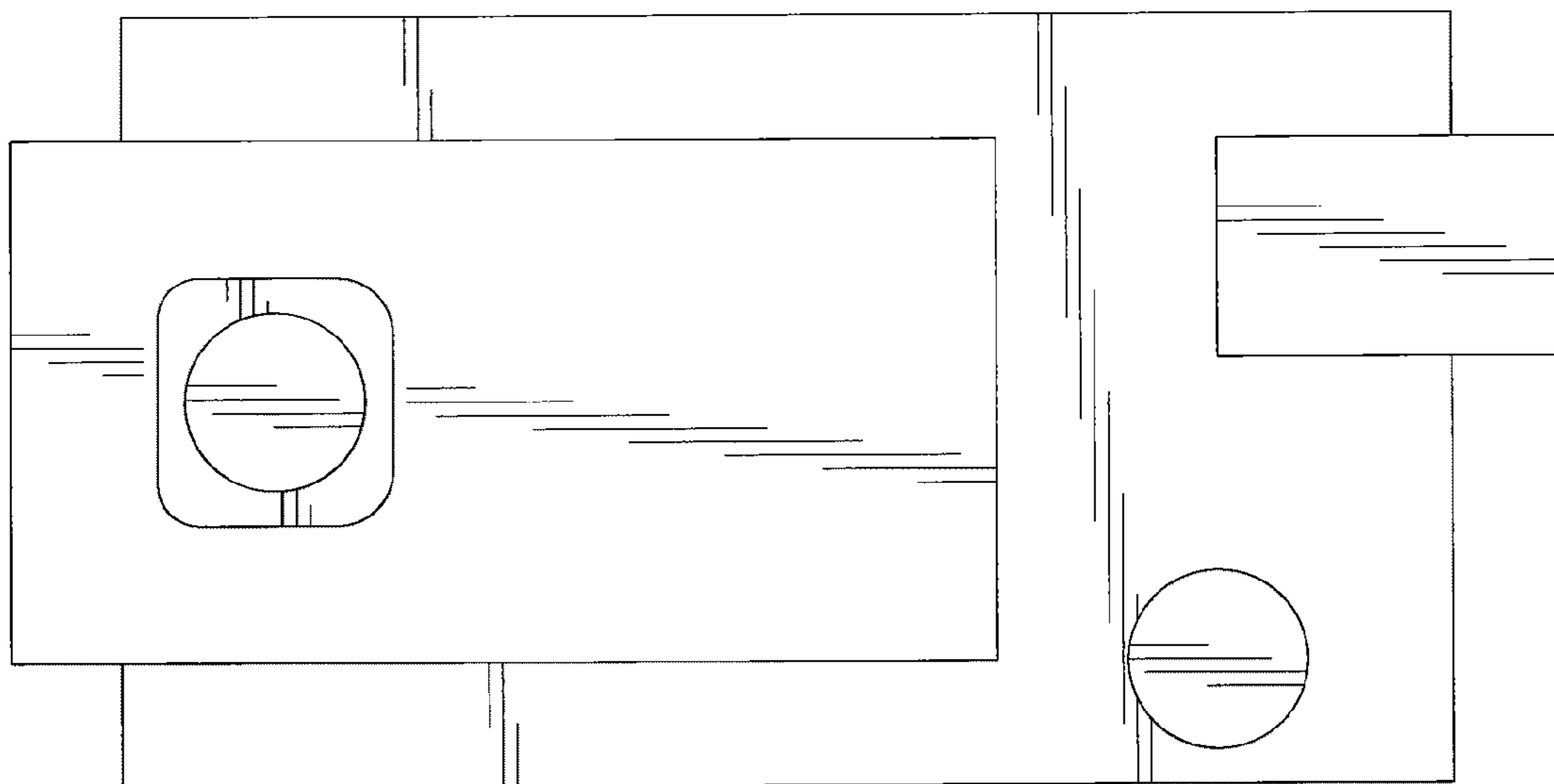


FIG. 20

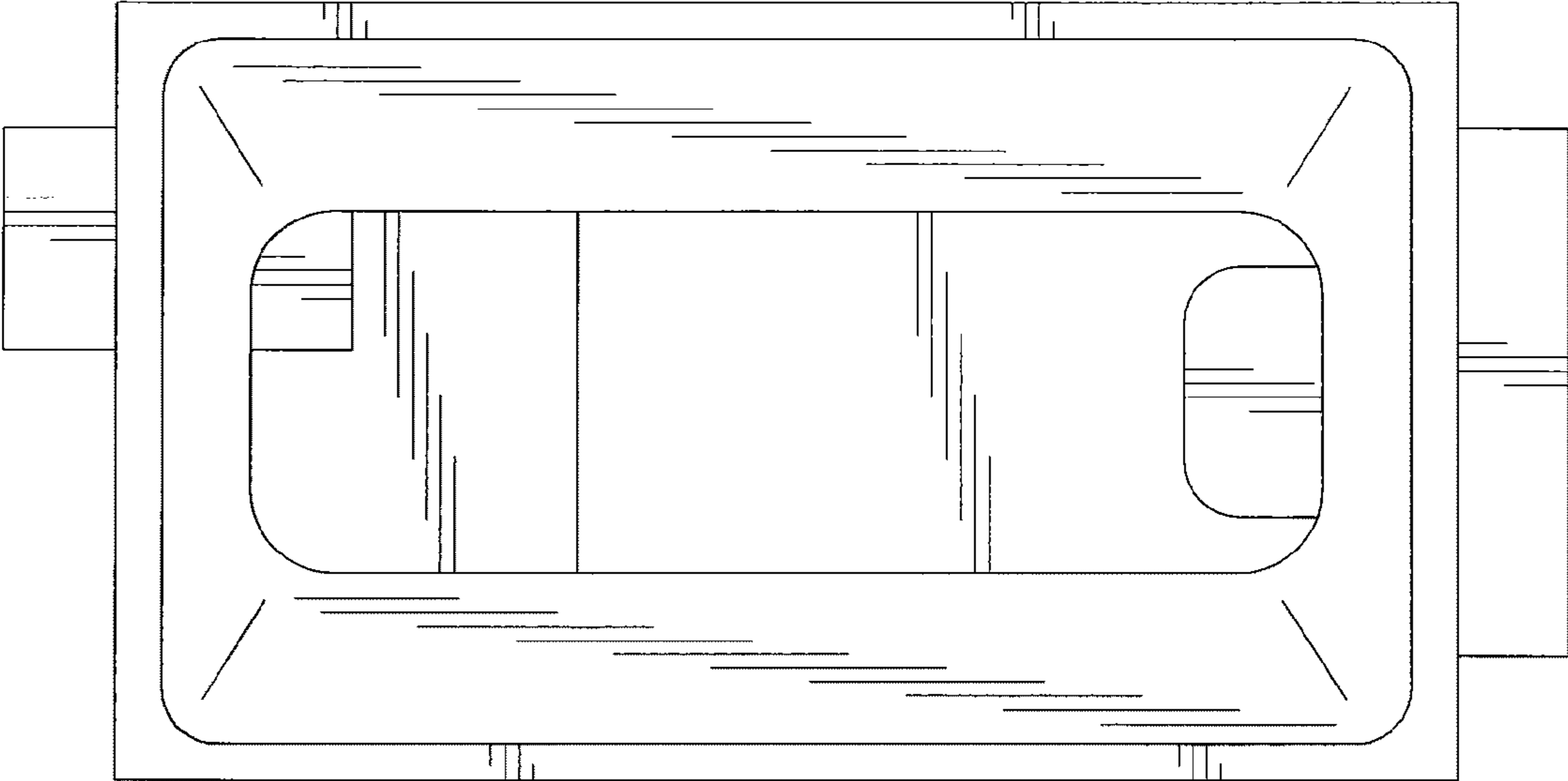


FIG. 21

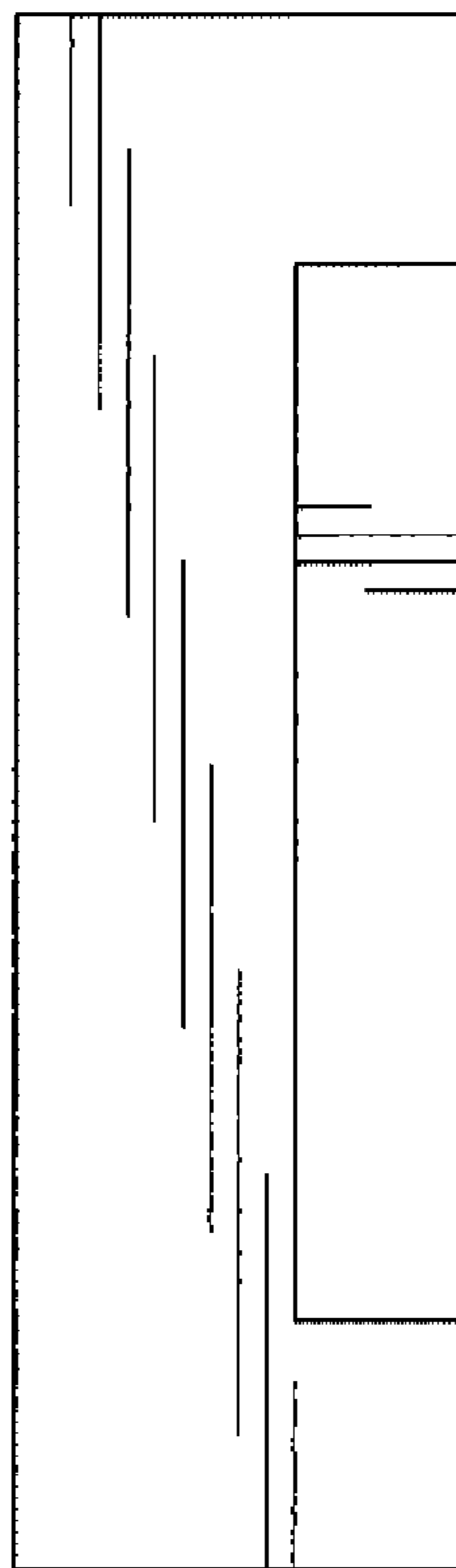


FIG. 22

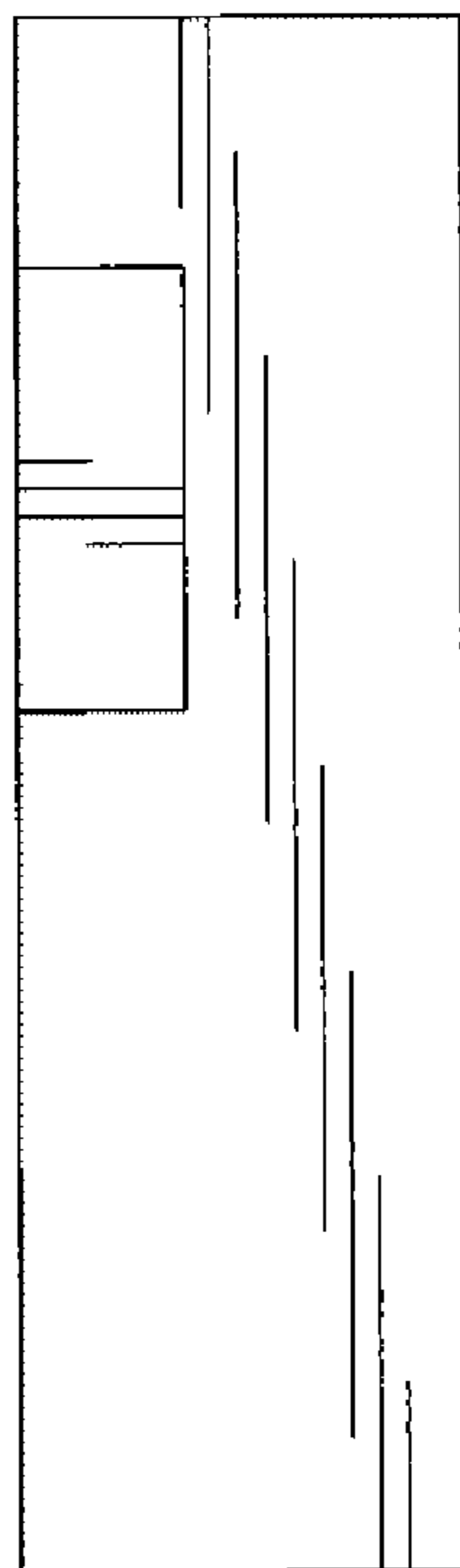


FIG. 23

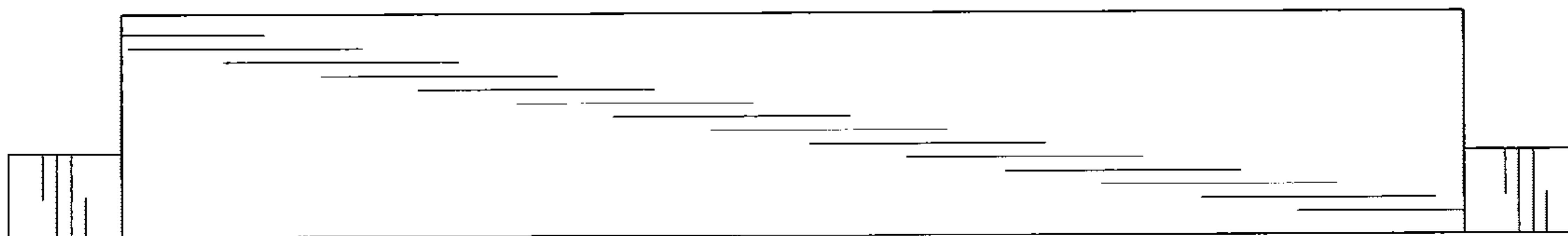


FIG. 24

