



US00D644613S

(12) **United States Design Patent**
Kiely

(10) **Patent No.:** **US D644,613 S**

(45) **Date of Patent:** **** Sep. 6, 2011**

(54) **COMBINATION CABLE OR CONDUIT STRAP**

(75) **Inventor:** **Kenneth M. Kiely**, Milford, CT (US)

(73) **Assignee:** **Bridgeport Fittings, Inc.**, Stratford, CT (US)

(**) **Term:** **14 Years**

(21) **Appl. No.:** **29/349,489**

(22) **Filed:** **Apr. 8, 2010**

(51) **LOC (9) Cl.** **13-03**

(52) **U.S. Cl.** **D13/155**

(58) **Field of Classification Search** D13/133,
D13/154, 155, 184; D8/44, 331, 349, 354,
D8/355, 356, 371, 382, 383, 384, 394, 395,
D8/396; 248/65, 68.1, 71, 300; 285/419,
285/420

See application file for complete search history.

(56) **References Cited**

U.S. PATENT DOCUMENTS

D25,913 S * 8/1896 Bevin D12/125
D28,478 S * 4/1898 Basch D12/125

1,595,728 A * 8/1926 Pleister 248/69
D302,655 S * 8/1989 Sachs D8/396
D438,093 S * 2/2001 Mandujano D8/396
D608,190 S * 1/2010 Jimenez D8/395

* cited by examiner

Primary Examiner — Daniel Bui

(74) *Attorney, Agent, or Firm* — Alfred A. Fressola; Ware, Fressola, Van Der Sluys & Adolphson, LLP

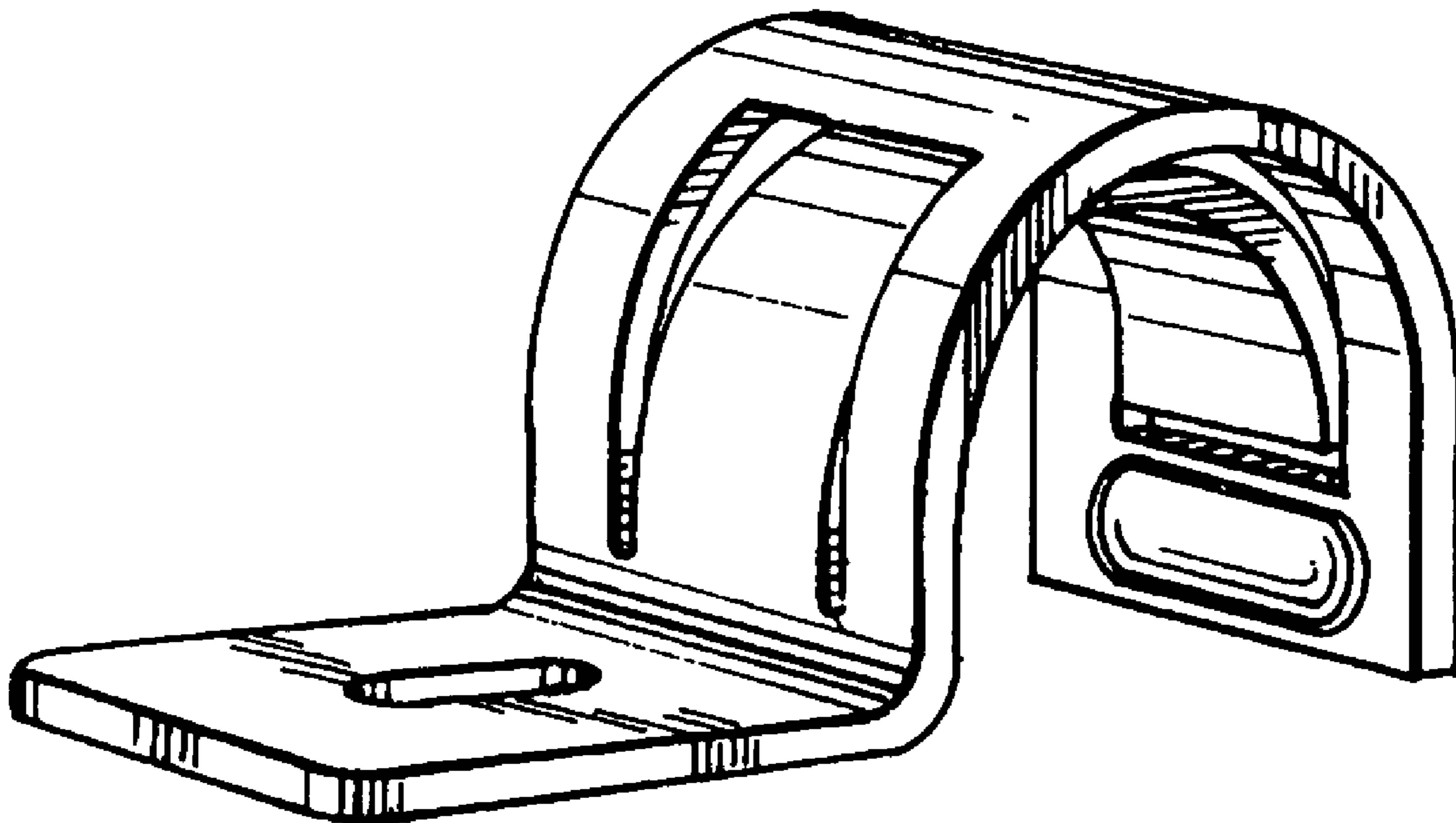
(57) **CLAIM**

The ornamental design for a combination cable or conduit strap, as shown and described.

DESCRIPTION

FIG. 1 is a perspective view of the combination cable or conduit strap of my design;
FIG. 2 is a front elevational view thereof;
FIG. 3 is a rear elevational view thereof;
FIG. 4 is a side elevational view thereof, the opposite side being a mirror image thereof;
FIG. 5 is a top plan view thereof; and,
FIG. 6 is a bottom plan view thereof.

1 Claim, 1 Drawing Sheet



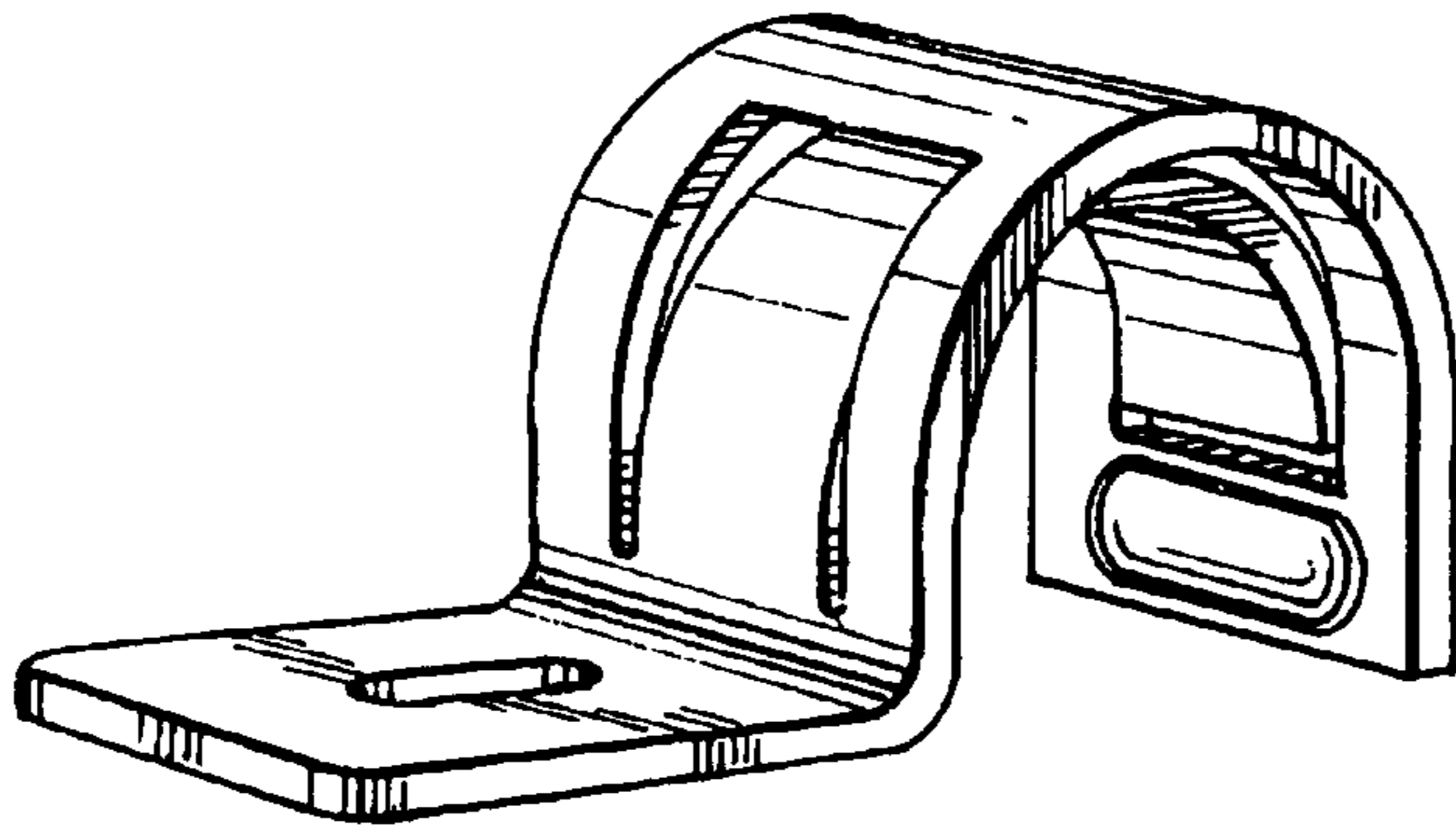


FIG. 1

FIG. 2

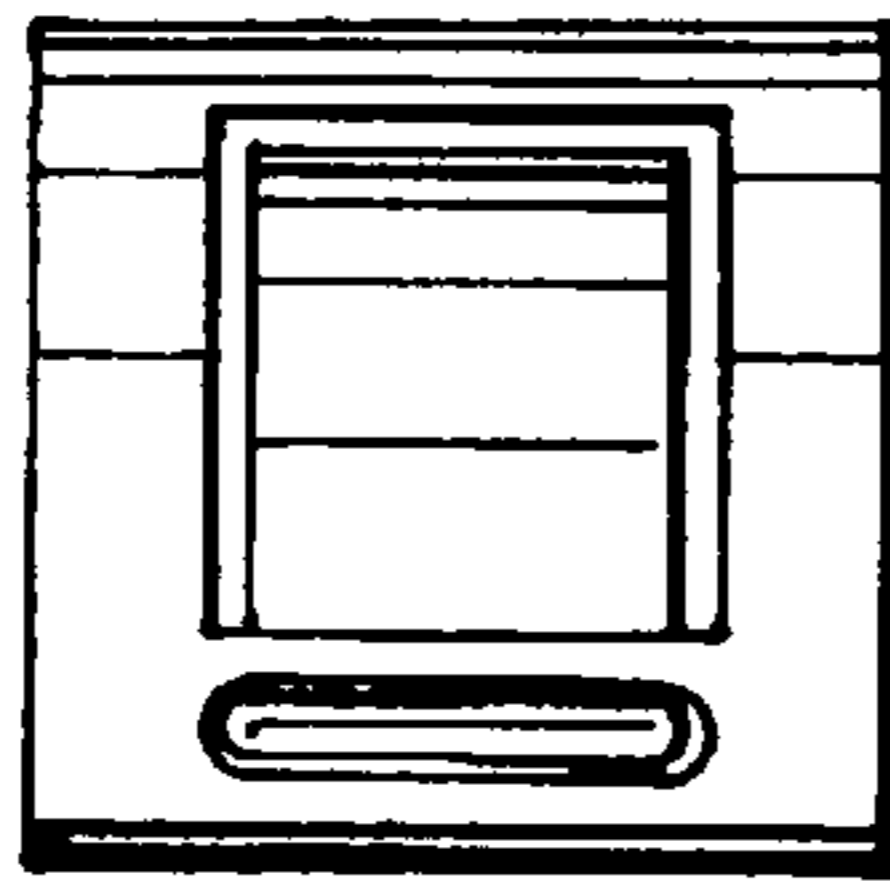


FIG. 3

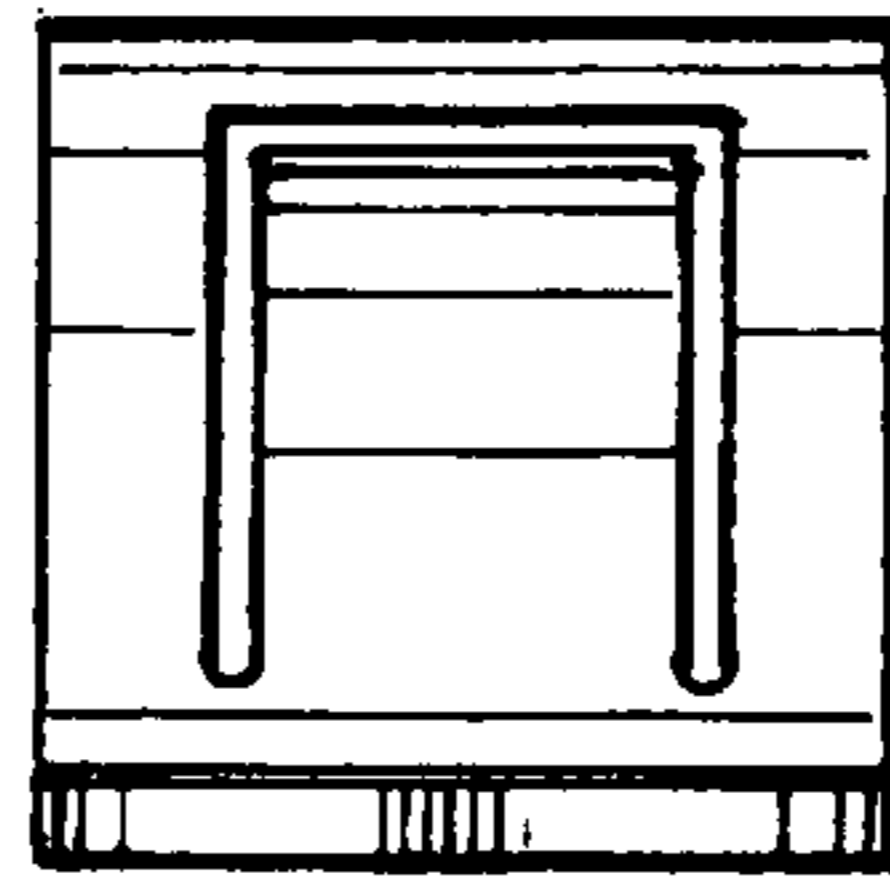


FIG. 4

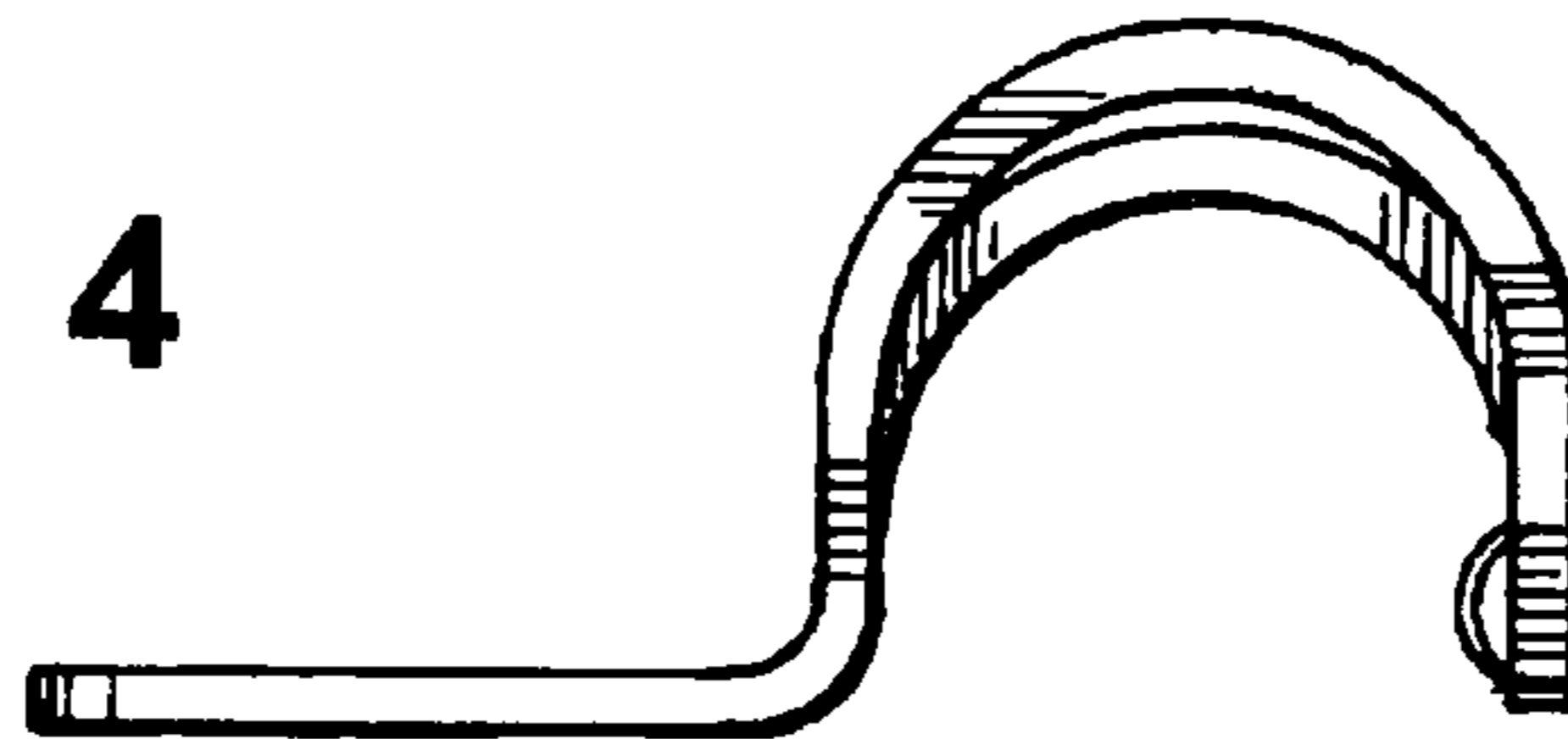


FIG. 5

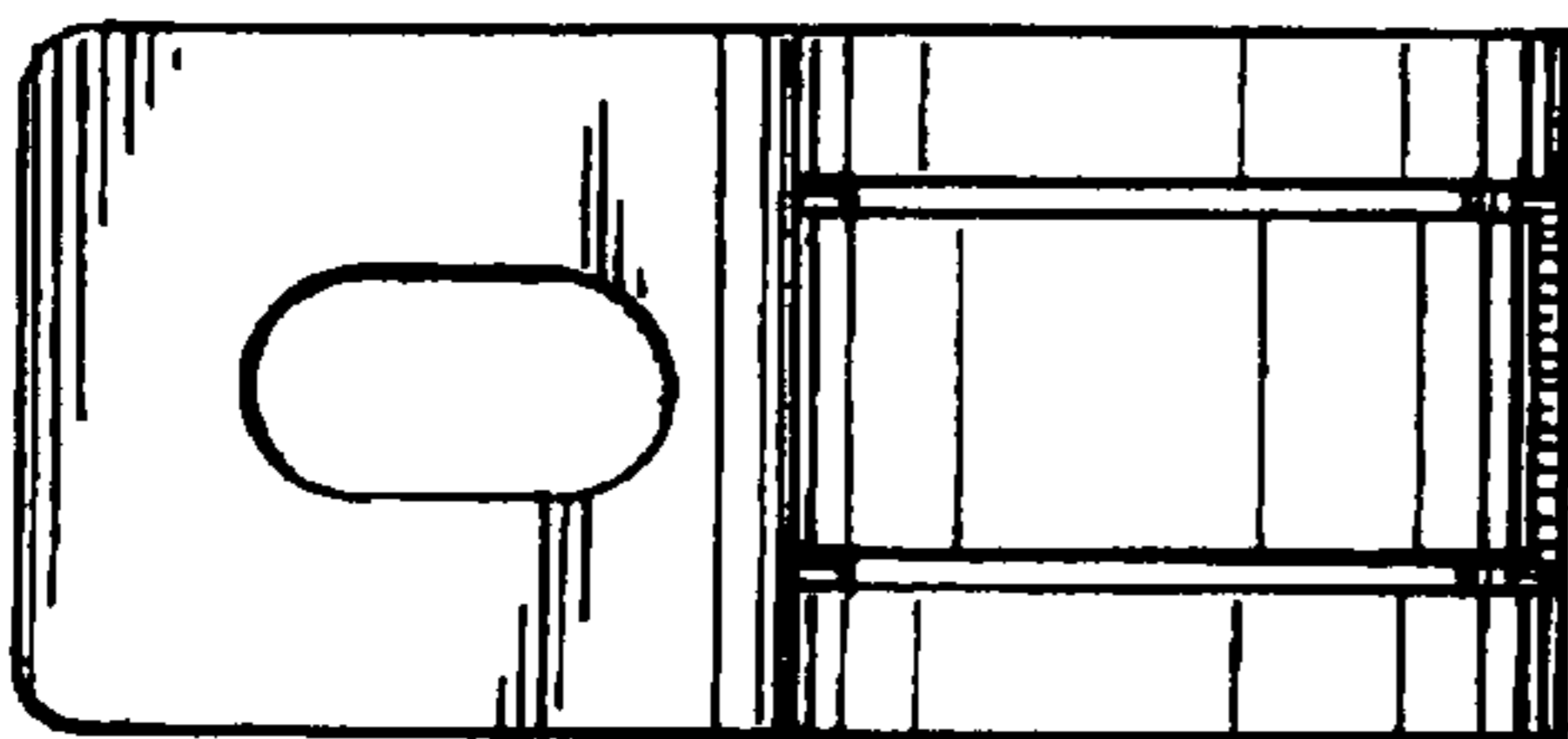


FIG. 6

