



US00D644611S

(12) **United States Design Patent**
Sasaki et al.

(10) **Patent No.:** **US D644,611 S**

(45) **Date of Patent:** **** Sep. 6, 2011**

(54) **ELECTRICAL CONNECTOR**

(75) Inventors: **Daisuke Sasaki**, Yao (JP); **Takao Asano**,
Isesaki (JP)

(73) Assignee: **Hosiden Corporation**, Yao-shi (JP)

(**) Term: **14 Years**

(21) Appl. No.: **29/388,747**

(22) Filed: **Apr. 1, 2011**

(30) **Foreign Application Priority Data**

Nov. 8, 2010 (JP) 2010-026717

(51) **LOC (9) Cl.** **13-03**

(52) **U.S. Cl.** **D13/147**

(58) **Field of Classification Search** D13/147,
D13/154, 184, 199; 439/78-79, 83, 108,
439/181, 607.01, 607.04, 607.05, 607.17,
439/607.25, 607.34, 74, 607.41, 607.53,
439/630, 660

See application file for complete search history.

(56) **References Cited**

U.S. PATENT DOCUMENTS

D414,743 S *	10/1999	Katoh	D13/147
D586,293 S *	2/2009	Fujino	D13/133
D601,502 S *	10/2009	Miyatake et al.	D13/133
D635,097 S *	3/2011	Nagata et al.	D13/147

* cited by examiner

Primary Examiner — Daniel Bui

(74) *Attorney, Agent, or Firm* — Rankin, Hill & Clark LLP

(57) **CLAIM**

The ornamental design for an electrical connector, as shown and described.

DESCRIPTION

FIG. 1 is a front, left side and top perspective view of an electrical connector showing our new design; FIG. 2 is a rear, left side and bottom perspective view thereof; FIG. 3 is a front elevation view thereof, a rear elevation view being a mirror image thereof; FIG. 4 is a left side view thereof; FIG. 5 is a right side view thereof; FIG. 6 is a top plan view thereof; and, FIG. 7 is a bottom plan view thereof.

1 Claim, 3 Drawing Sheets

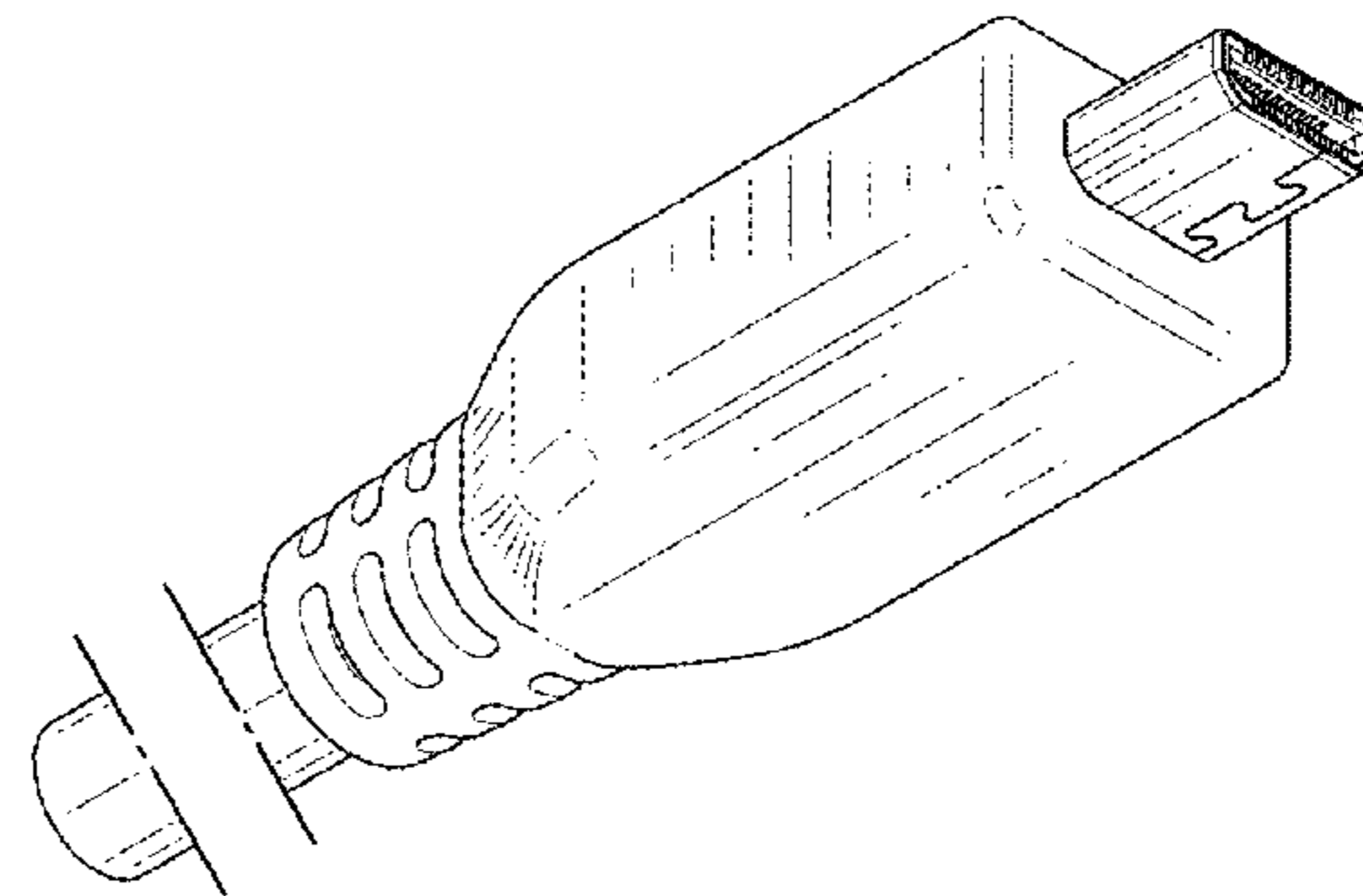
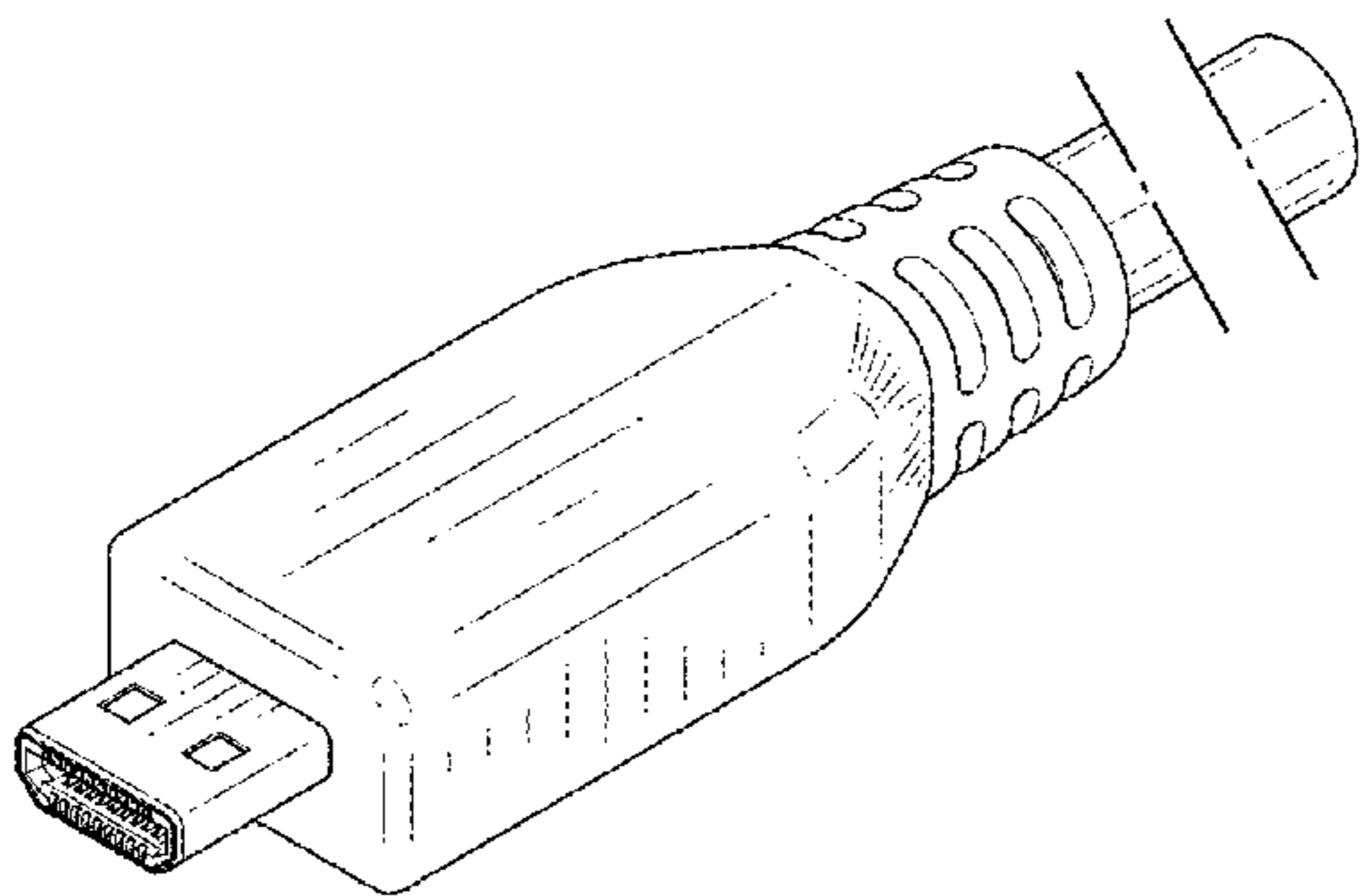


Fig. 1

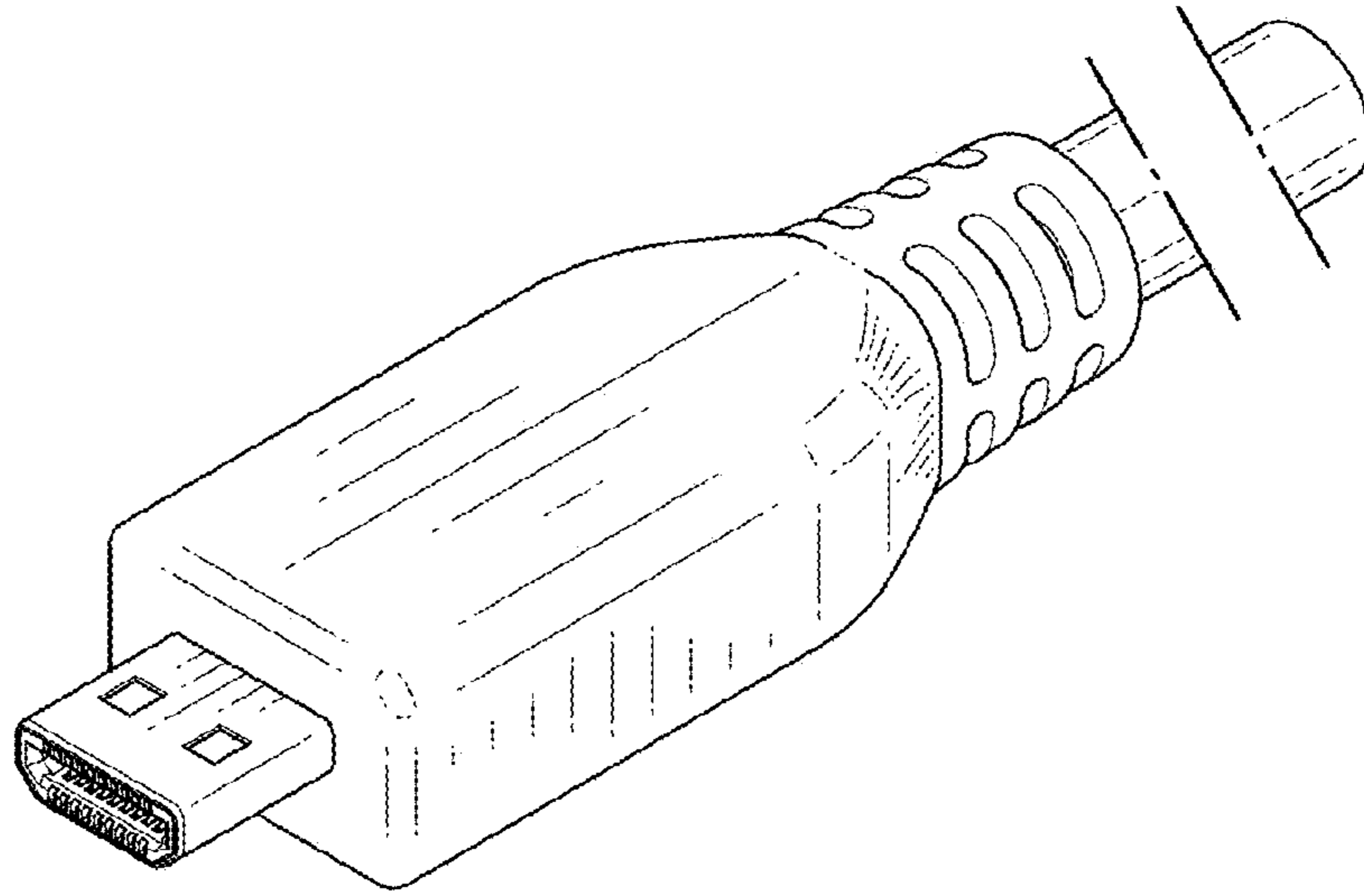


Fig. 2

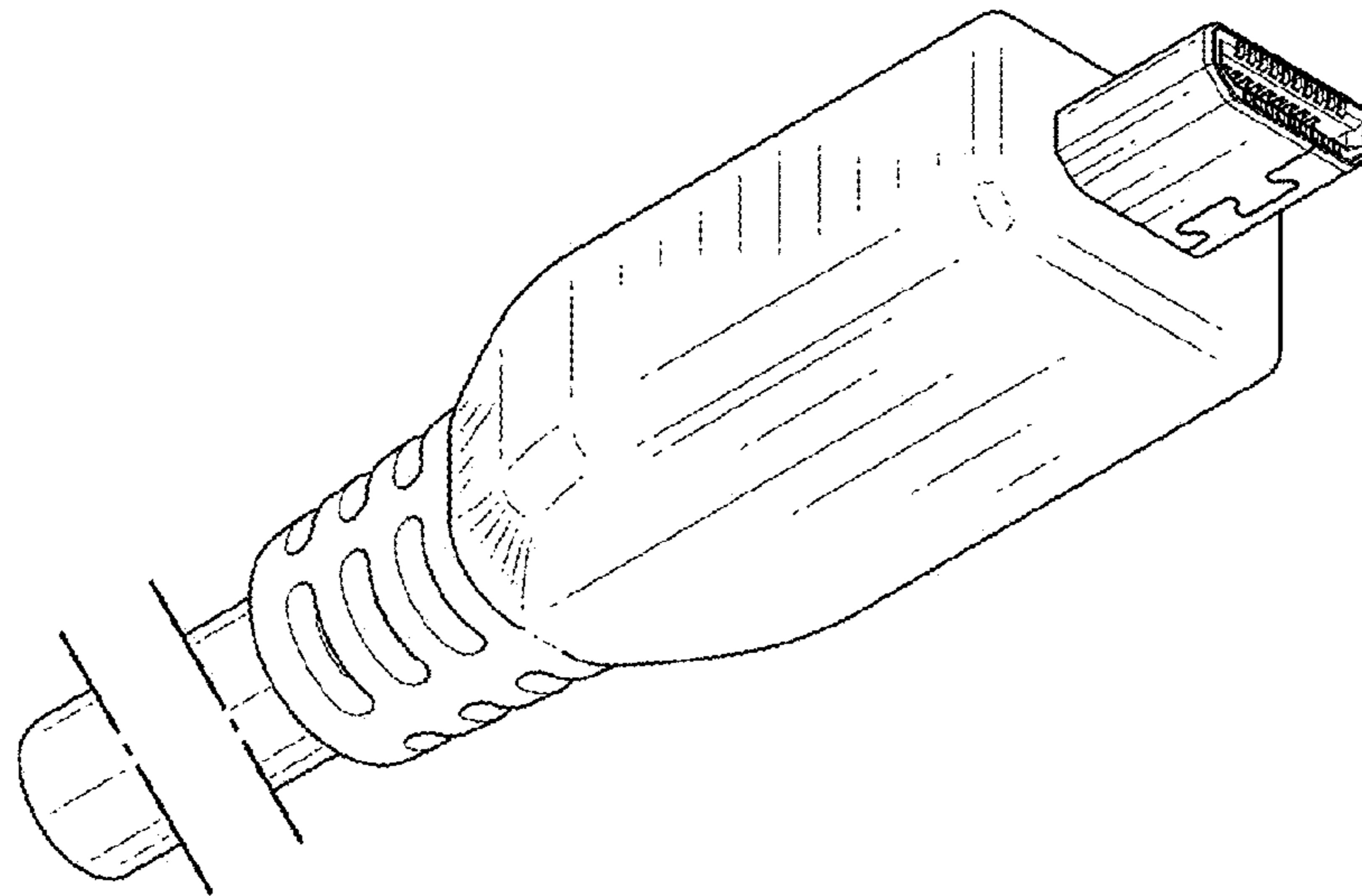


Fig. 3

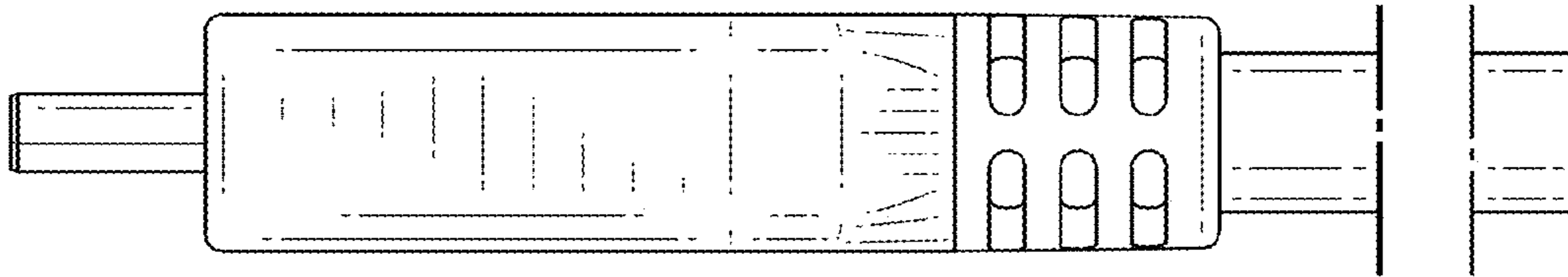


Fig. 4

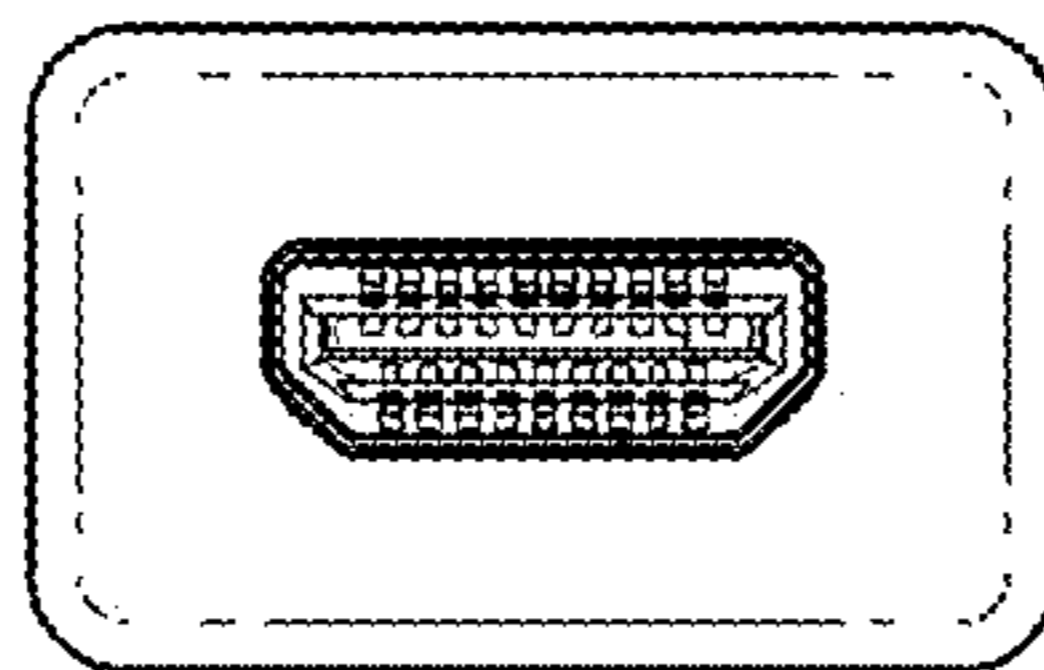


Fig. 5

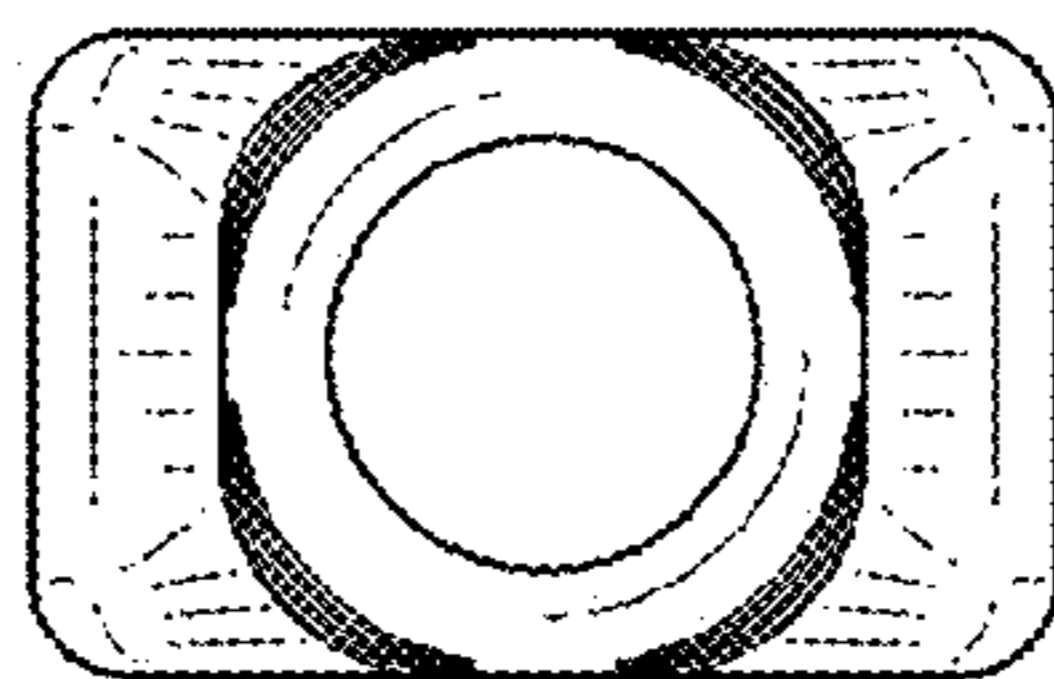


Fig. 6

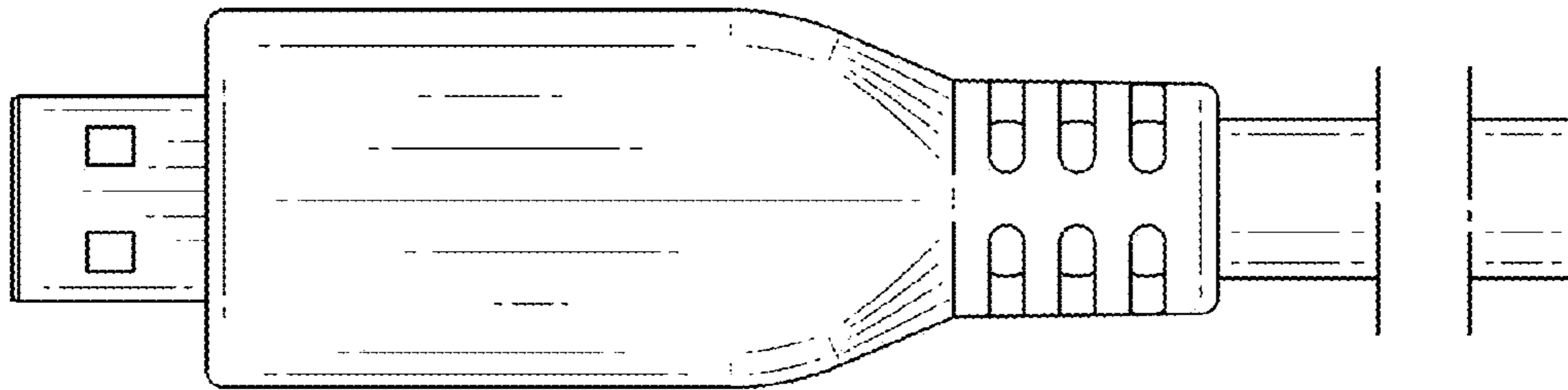


Fig. 7

