



US00D644609S

(12) **United States Design Patent**
Marroquin

(10) **Patent No.:** **US D644,609 S**

(45) **Date of Patent:** **** Sep. 6, 2011**

(54) **FEMALE CONNECTOR**

(75) Inventor: **Marco A. Marroquin**, Austin, TX (US)

(73) Assignee: **SolarBridge Technologies, Inc.**, Austin, TX (US)

(**) Term: **14 Years**

(21) Appl. No.: **29/375,598**

(22) Filed: **Sep. 24, 2010**

(51) **LOC (9) Cl.** **13-03**

(52) **U.S. Cl.** **D13/147**

(58) **Field of Classification Search** D13/133,
D13/146-147, 154, 156, 184; 439/180, 246,
439/252, 278, 314-315, 372, 374, 378, 379,
439/380, 381, 527, 533, 892, 894

See application file for complete search history.

(56) **References Cited**

U.S. PATENT DOCUMENTS

1,767,262	A	6/1930	Schmitz	
D161,900	S *	2/1951	Burt et al.	D13/146
4,255,007	A *	3/1981	Michaels et al.	439/332
4,917,632	A	4/1990	Smith	
4,971,576	A	11/1990	Thimmesch	
5,855,494	A	1/1999	Blaszczyk et al.	
6,050,840	A	4/2000	Kowalski et al.	
D445,090	S	7/2001	Payne et al.	
6,422,891	B1	7/2002	Huang	
D472,523	S *	4/2003	Hansen	D13/146
D511,747	S *	11/2005	Rey et al.	D13/147
D527,346	S *	8/2006	Brodin	D13/146
D559,785	S *	1/2008	Tosetti	D13/147
D585,837	S *	2/2009	Kuehne et al.	D13/154
D599,741	S *	9/2009	Meldert et al.	D13/147
7,874,860	B2 *	1/2011	Starke et al.	439/320
2008/0194137	A1 *	8/2008	Kuo	439/489

OTHER PUBLICATIONS

“Power Cords”, Hosa Technology, Inc., www.hosatech.com, Aug. 2010, 1 page.

“Power Cord, Piggyback IEC C13 to NEMA 5-15P, 2 ft”, Hosa Technology, Inc., www.hosatech.com, Aug. 2010 1 page.

“Daisy Chain Power Cord Liberator, 12in”, CableOrganizer.com, Inc., www.cableorganizer.com, Aug. 2010, 1 page.

“DTCC Connector Division—Geophysical”, Dynamic Technologies Co., Ltd., www.dynamictech.biz, Aug. 2010, 4 pages.

“DaisyLink System”, Electri-Cable Assemblies, Inc., www.electri-cable.com, Aug. 2010, 2 pages.

* cited by examiner

Primary Examiner — Daniel Bui

(74) *Attorney, Agent, or Firm* — Barnes & Thornburg LLP

(57) **CLAIM**

The ornamental design of a female connector, as shown and described.

DESCRIPTION

“Cross-reference is made to co-pending U.S. Design patent application Ser. No. 29/375,599 entitled “Male Connector,” which was filed by Marco A. Marroquin on Sep. 24, 2010 and co-pending U.S. Design patent application Ser. No. 29/375,595 entitled “Y-Junction Interconnect Module,” which was filed by Marco A. Marroquin et al. on Sep. 24, 2010, each of which are incorporated herein by reference.”

FIG. 1 is a top, front perspective view of a female connector showing my new design;

FIG. 2 is a front elevation view thereof, the rear elevation view being a mirror image thereto;

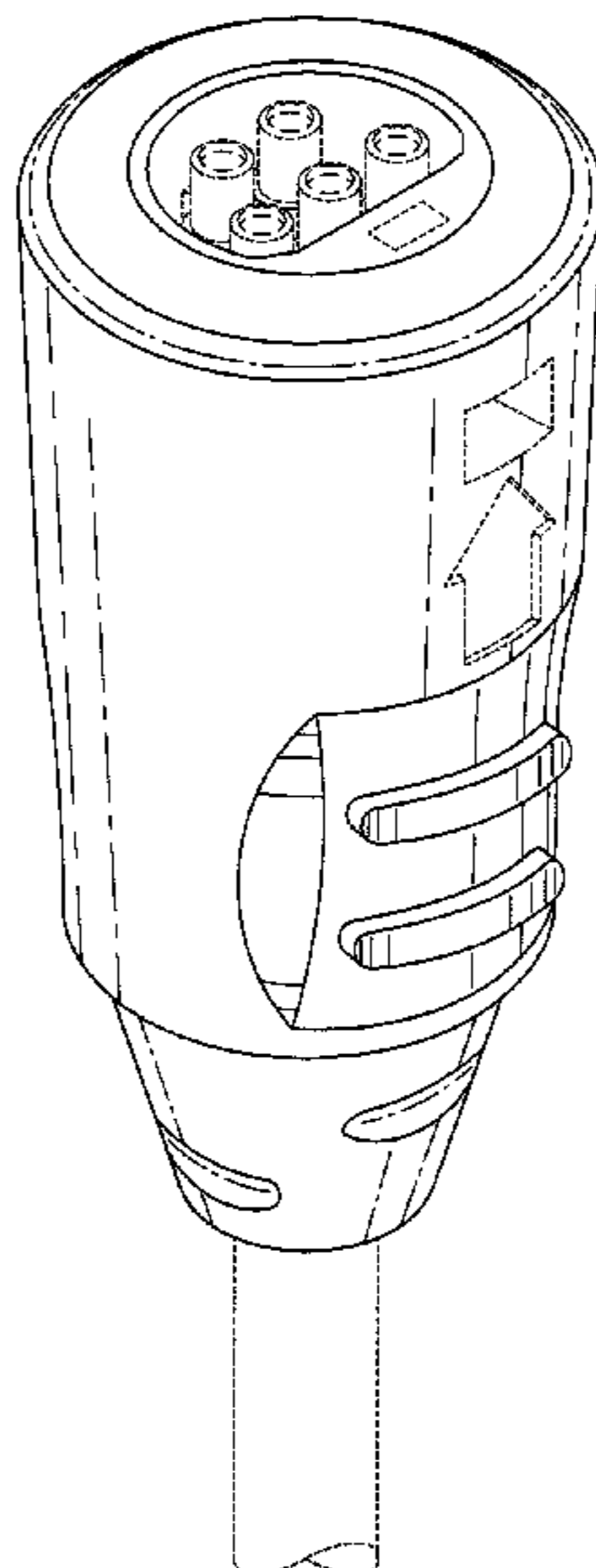
FIG. 3 is a side elevation view thereof, the opposite side elevation being a mirror image thereto;

FIG. 4 is a top plan view thereof; and,

FIG. 5 is a bottom plan view thereof.

The broken line portion of the figure drawings is included to show unclaimed subject matter only and forms no part of the claimed design.

1 Claim, 4 Drawing Sheets



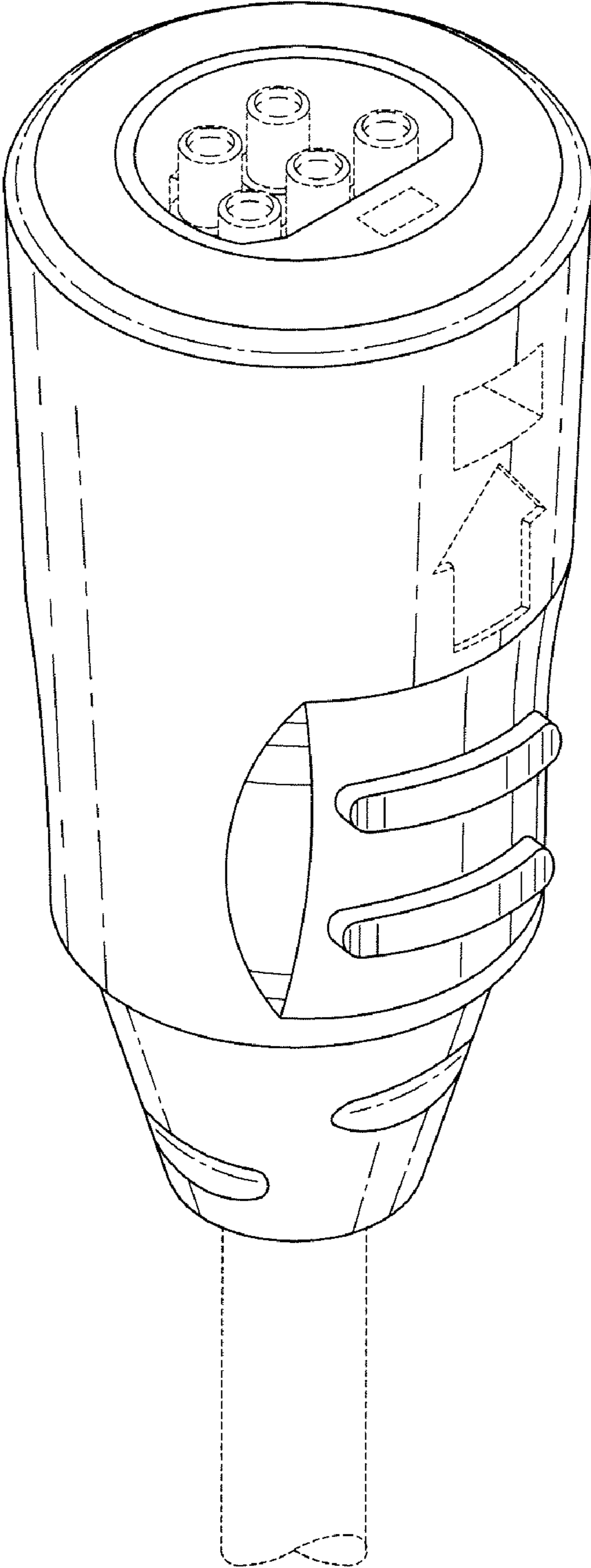


Fig. 1

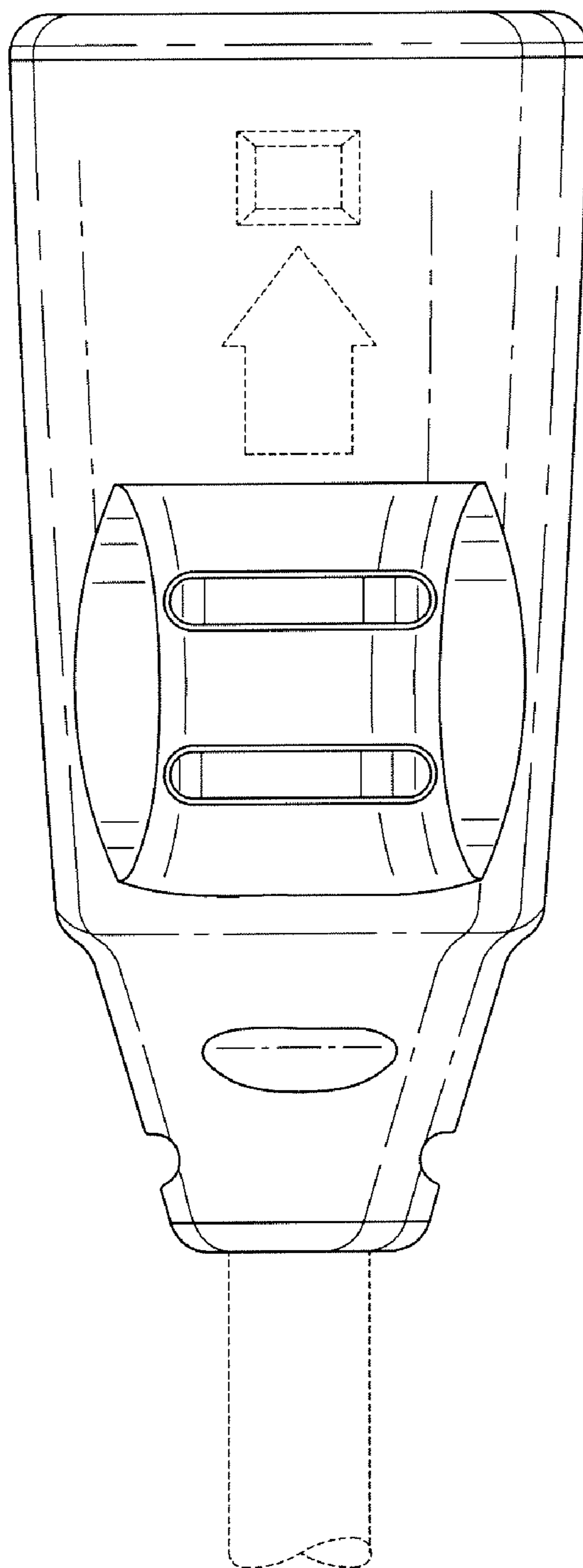


Fig. 2

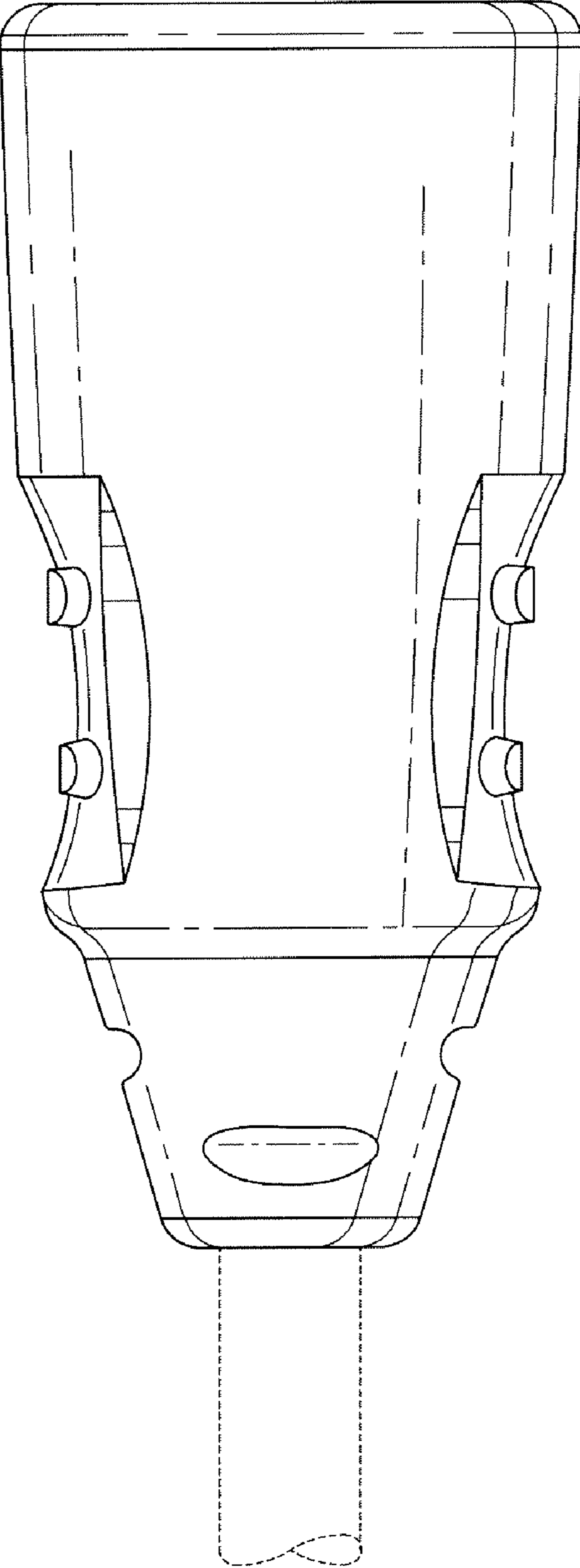


Fig. 3

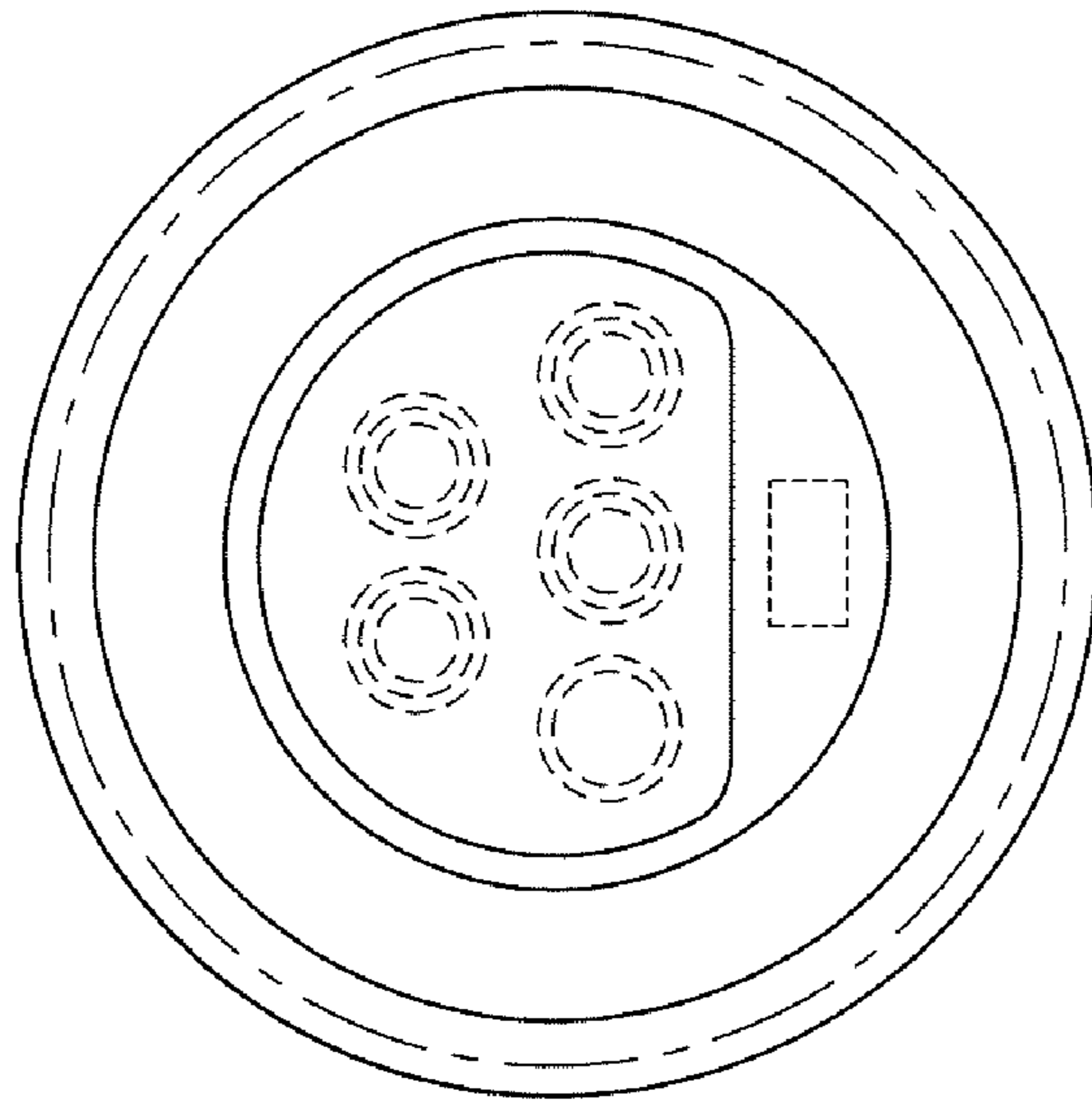


Fig. 4

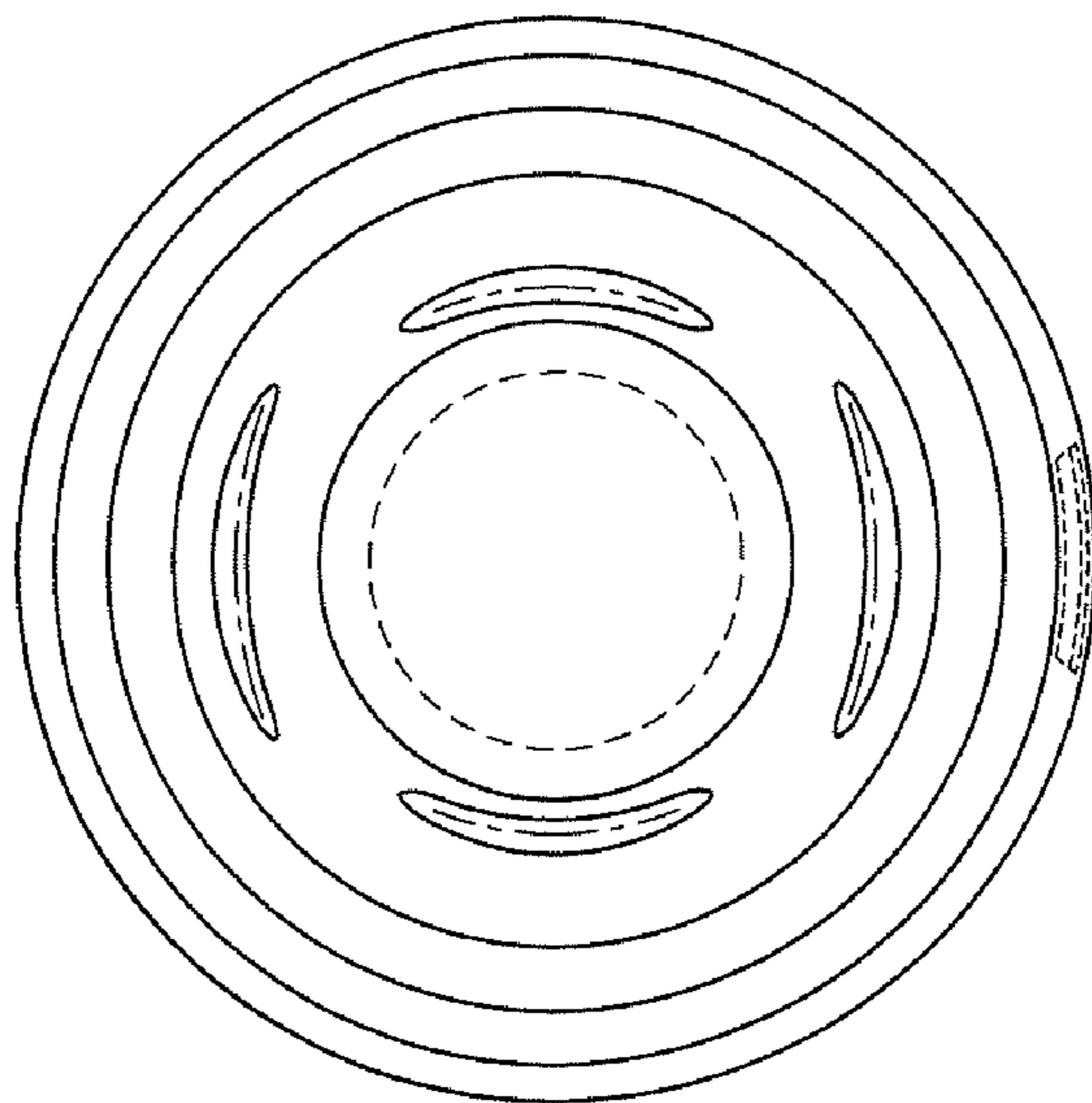


Fig. 5