



US00D644608S

(12) **United States Design Patent**  
**Kobayashi et al.**

(10) **Patent No.:** **US D644,608 S**

(45) **Date of Patent:** **\*\* Sep. 6, 2011**

(54) **BOBBIN FOR TRANSFORMER**

(75) Inventors: **Katsumi Kobayashi**, Tokyo (JP);  
**Masaaki Iwakura**, Tokyo (JP)

(73) Assignee: **TDK Corporation**, Tokyo (JP)

(\*\*) Term: **14 Years**

(21) Appl. No.: **29/367,182**

(22) Filed: **Aug. 4, 2010**

(30) **Foreign Application Priority Data**

Apr. 1, 2010 (JP) ..... 2010-008292

(51) **LOC (9) Cl.** ..... **13-02**

(52) **U.S. Cl.** ..... **D13/118**

(58) **Field of Classification Search** ..... D13/118,  
D13/101, 120, 121, 199; D14/483, 484;  
D15/78, 138; 242/597.6, 597.7; 310/164;  
336/83, 192, 198, 208

See application file for complete search history.

(56) **References Cited**

**U.S. PATENT DOCUMENTS**

|           |      |         |                 |         |
|-----------|------|---------|-----------------|---------|
| 4,047,061 | A *  | 9/1977  | Kilmer et al.   | 310/164 |
| 4,745,388 | A *  | 5/1988  | Billings et al. | 336/192 |
| 4,890,085 | A *  | 12/1989 | Saito et al.    | 336/192 |
| D313,605  | S *  | 1/1991  | Saito et al.    | D15/78  |
| D334,913  | S *  | 4/1993  | Sato et al.     | D13/118 |
| 6,181,230 | B1 * | 1/2001  | Broome et al.   | 336/198 |
| D455,715  | S *  | 4/2002  | Sakai et al.    | D13/118 |
| D560,164  | S *  | 1/2008  | Iwakura         | D13/118 |

**FOREIGN PATENT DOCUMENTS**

|    |            |        |
|----|------------|--------|
| JP | S-D1271256 | 5/2006 |
| JP | S-D1382844 | 3/2010 |

\* cited by examiner

*Primary Examiner* — Prabhakar Deshmukh

*Assistant Examiner* — Derrick Holland

(74) *Attorney, Agent, or Firm* — Oliff & Berridge, PLC

(57) **CLAIM**

The ornamental design for a bobbin for transformer, as shown and described.

**DESCRIPTION**

FIG. 1 is a top, front and right-side perspective view of a bobbin for transformer;

FIG. 2 is a bottom, front and right-side perspective view thereof;

FIG. 3 is a front elevation view thereof;

FIG. 4 is a rear elevation view thereof;

FIG. 5 is a top plan view thereof;

FIG. 6 is a bottom plan view thereof;

FIG. 7 is a left-side view thereof;

FIG. 8 is a right-side view thereof;

FIG. 9 is a cross-sectional view of the bobbin for transformer taken along the line 9-9 in FIG. 3;

FIG. 10 is a cross-sectional view of the bobbin for transformer taken along the line 10-10 in FIG. 3;

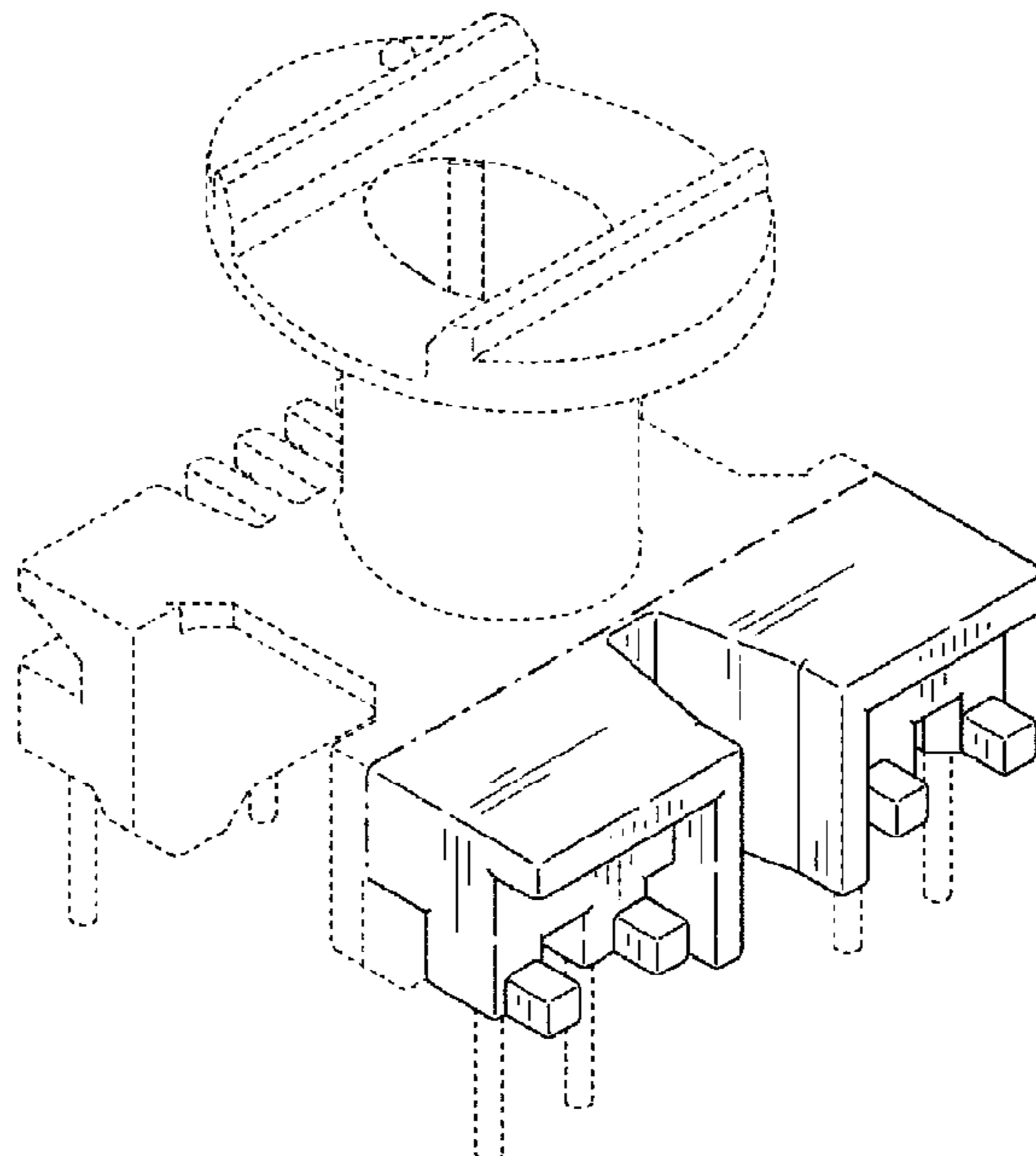
FIG. 11 is a cross-sectional view of the bobbin for transformer taken along the line 11-11 in FIG. 3; and,

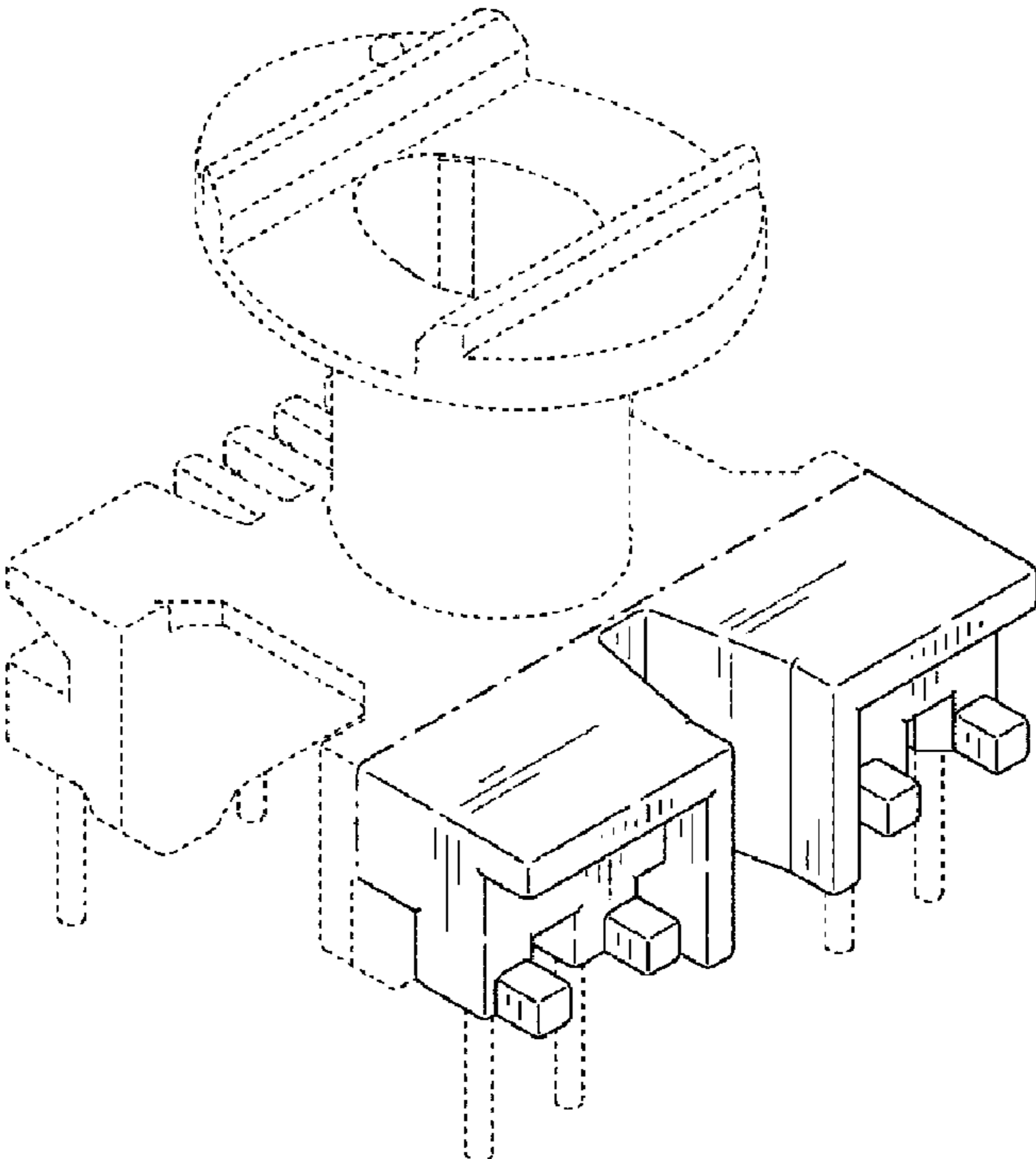
FIG. 12 is a cross-sectional view of the bobbin for transformer taken along the line 12-12 in FIG. 6.

The broken lines depict environmental subject matter only and form no part of the claimed design.

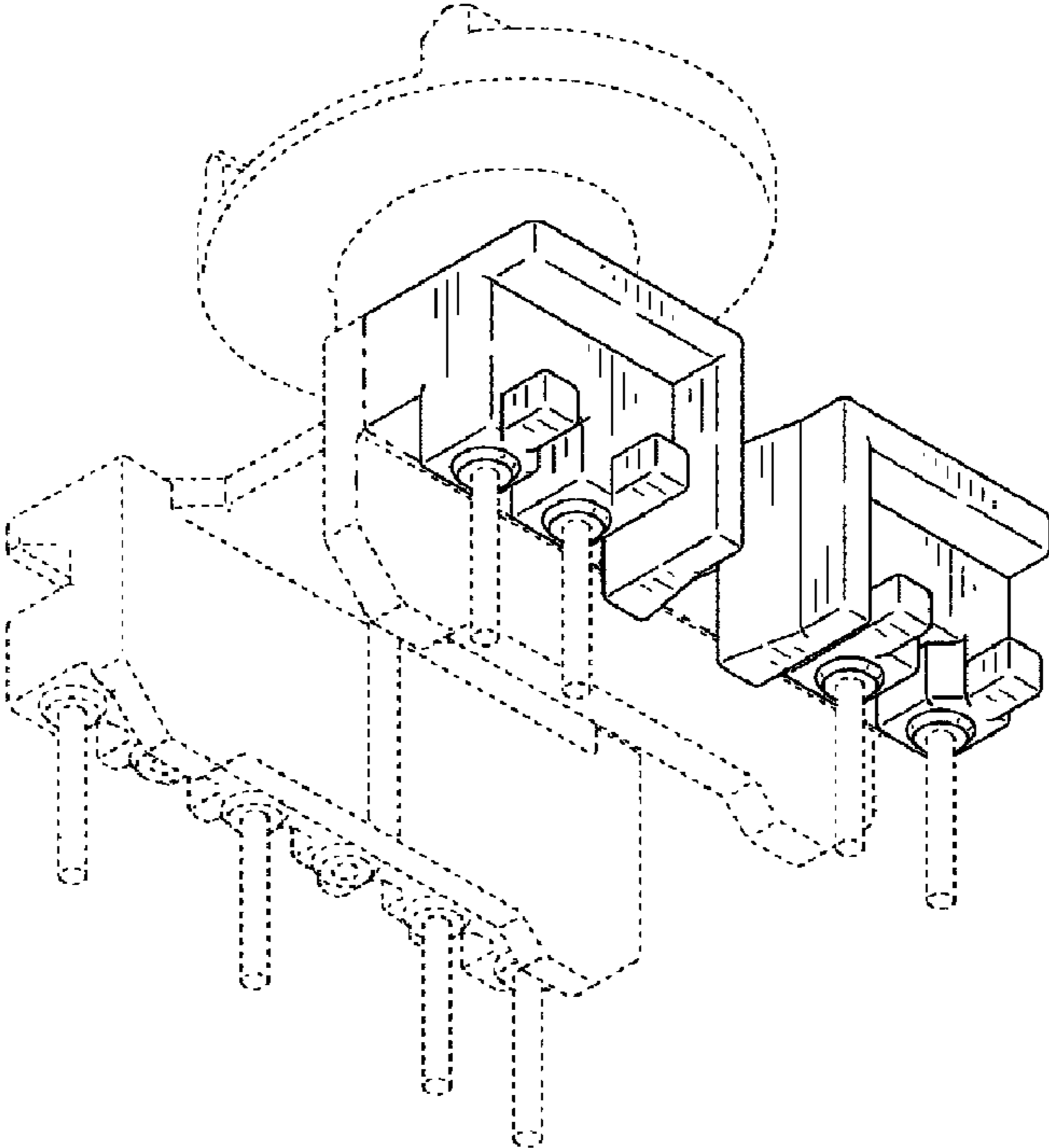
The dot-chain lines illustrate a border of the claimed subject matter and form no part of the claimed design.

**1 Claim, 6 Drawing Sheets**

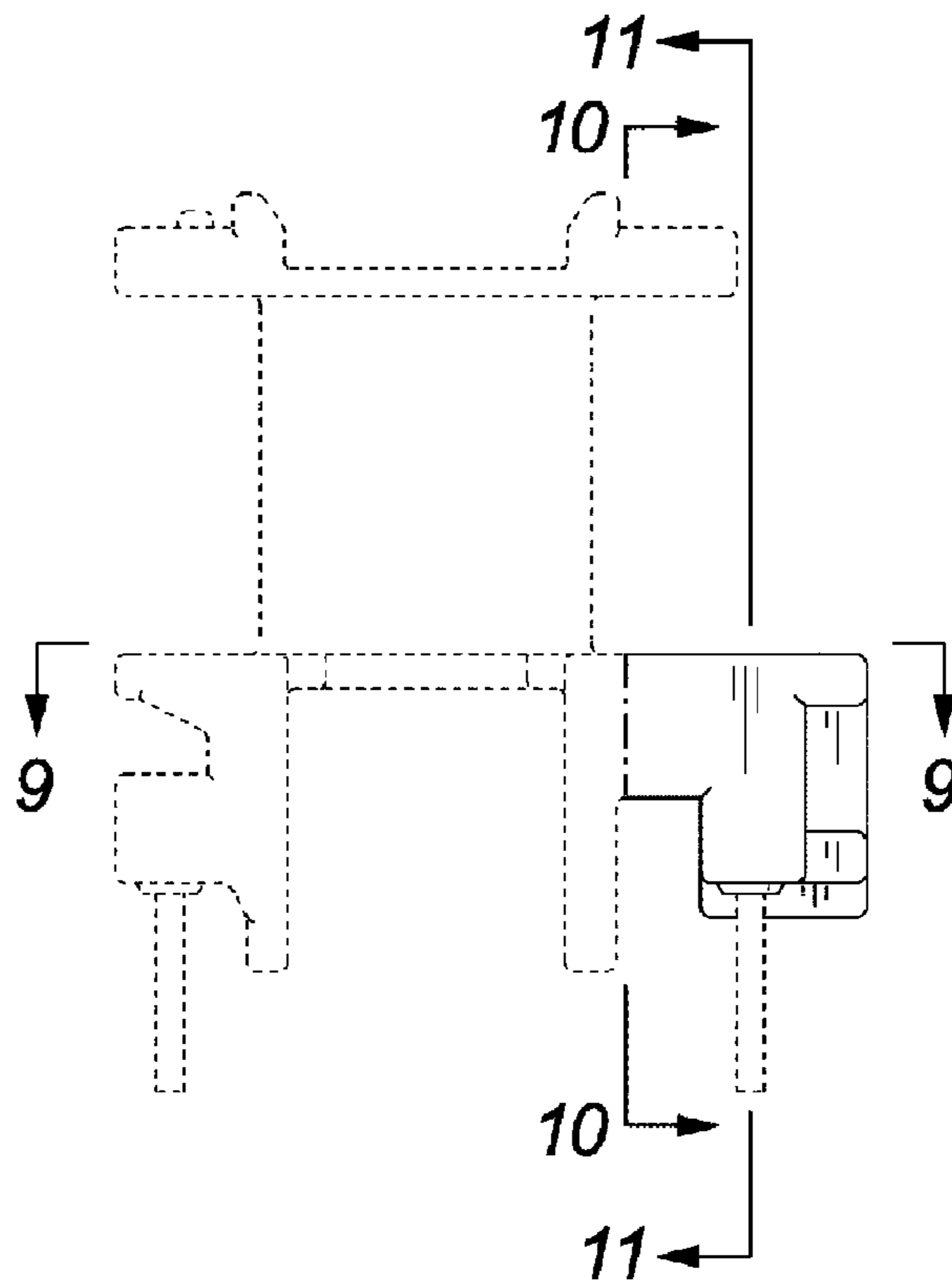




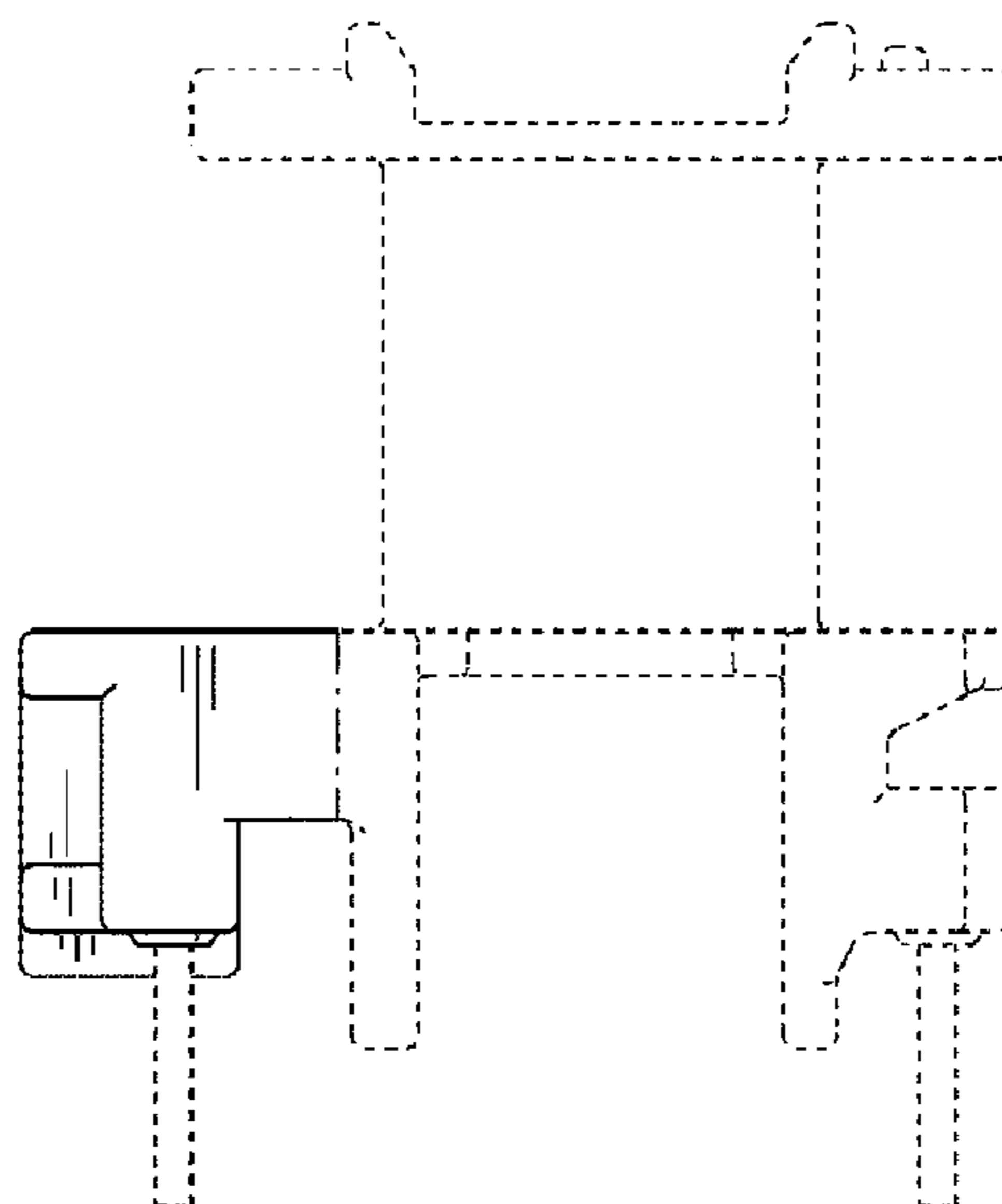
**FIG. 1**



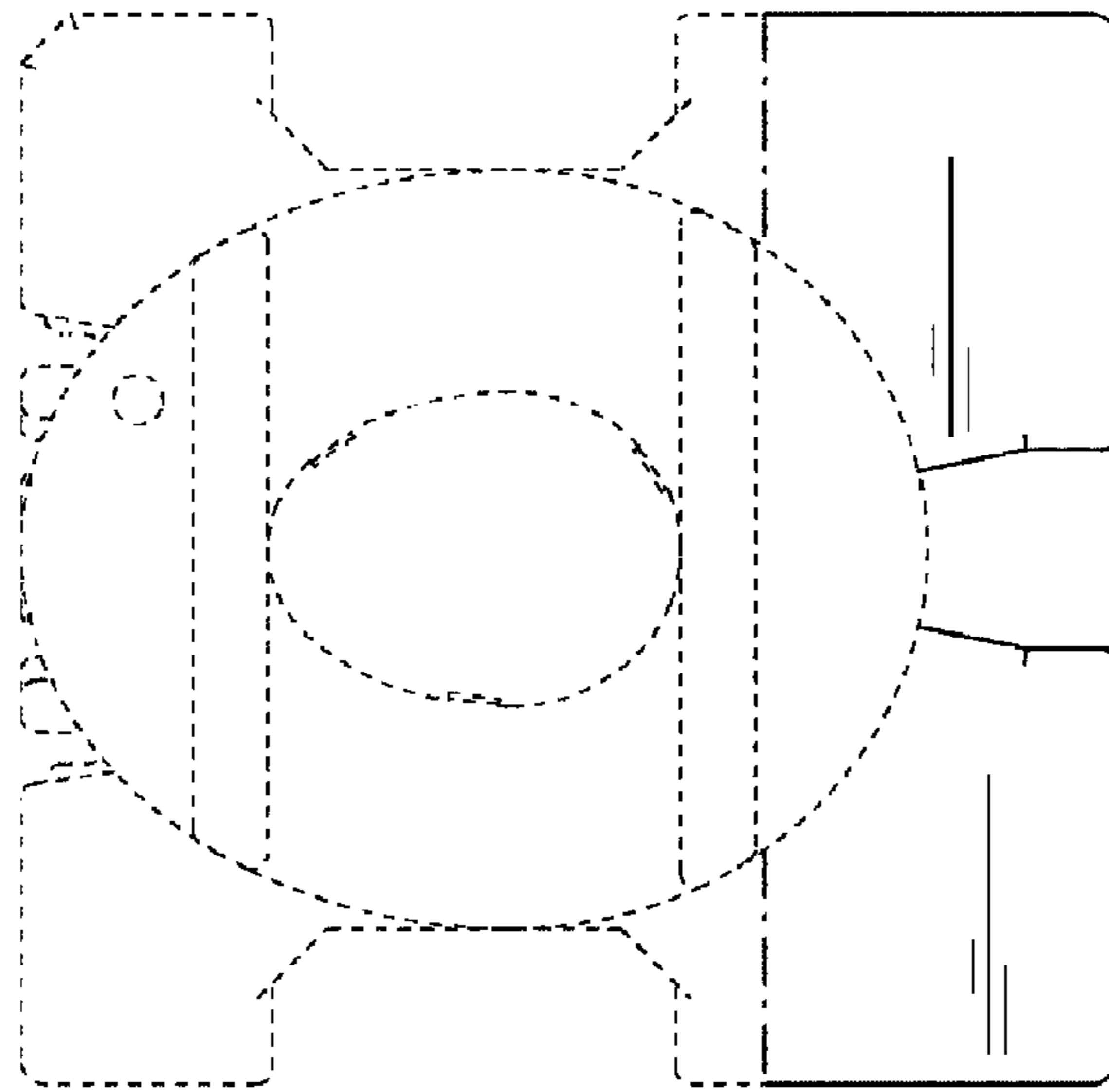
**FIG. 2**



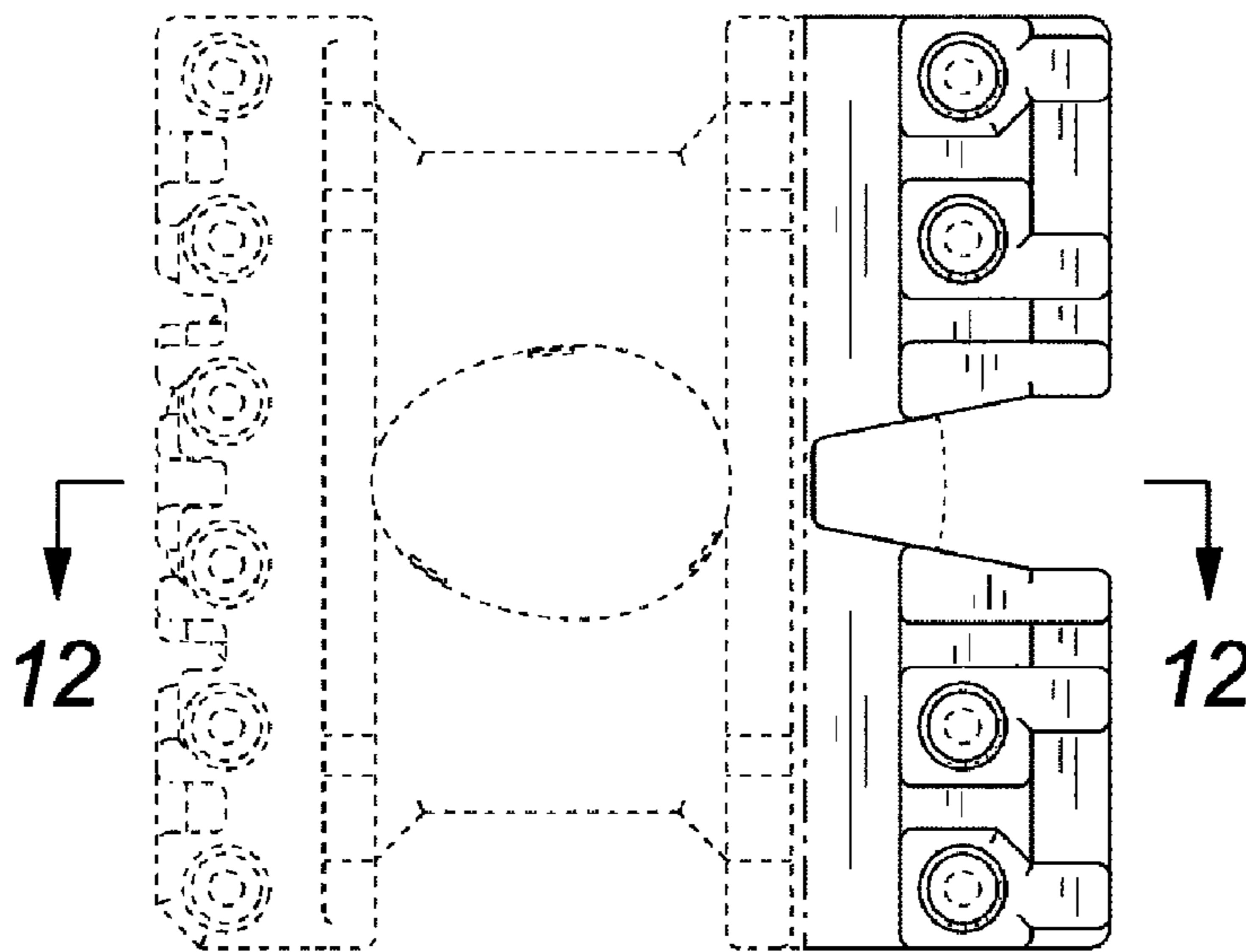
**FIG. 3**



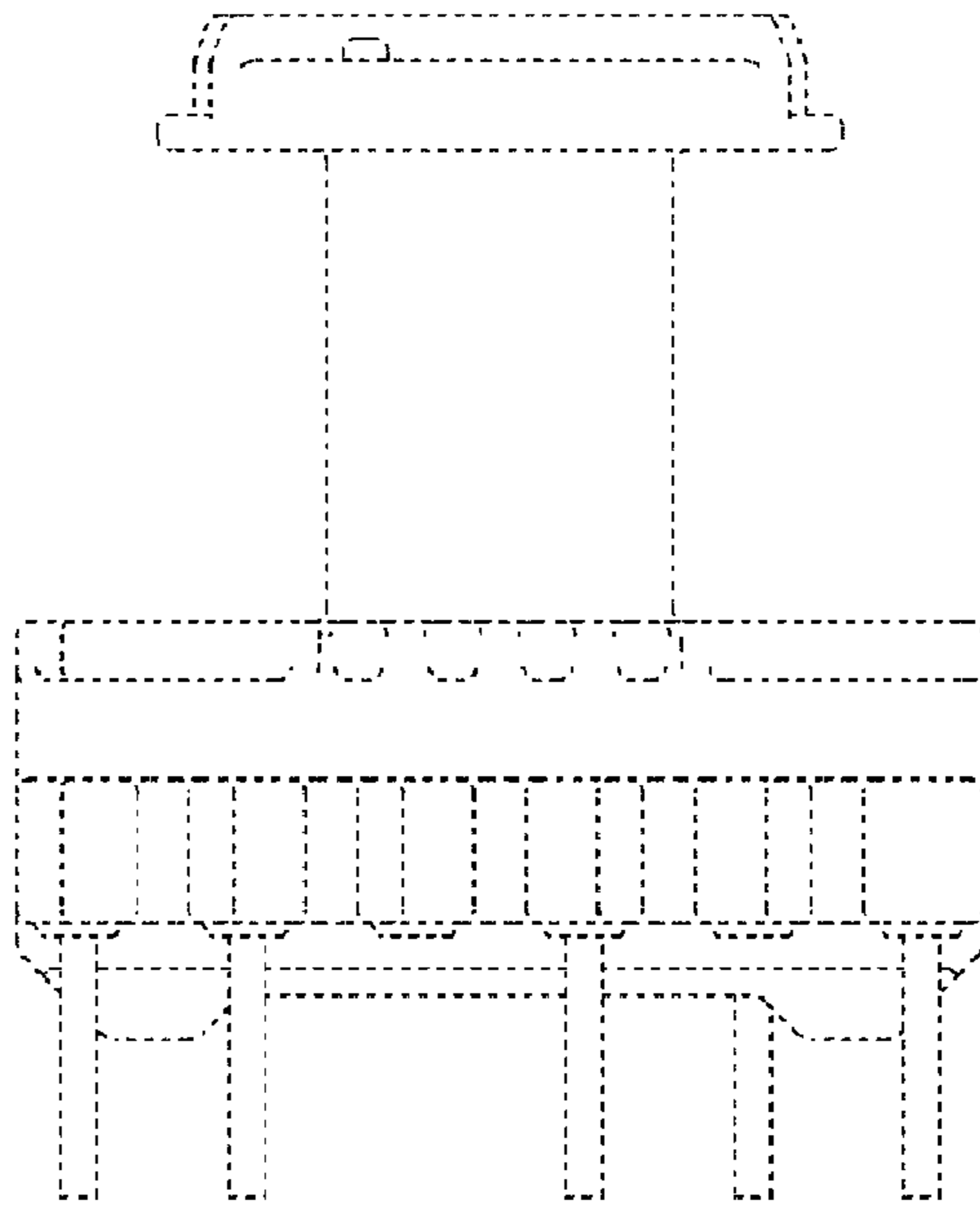
**FIG. 4**



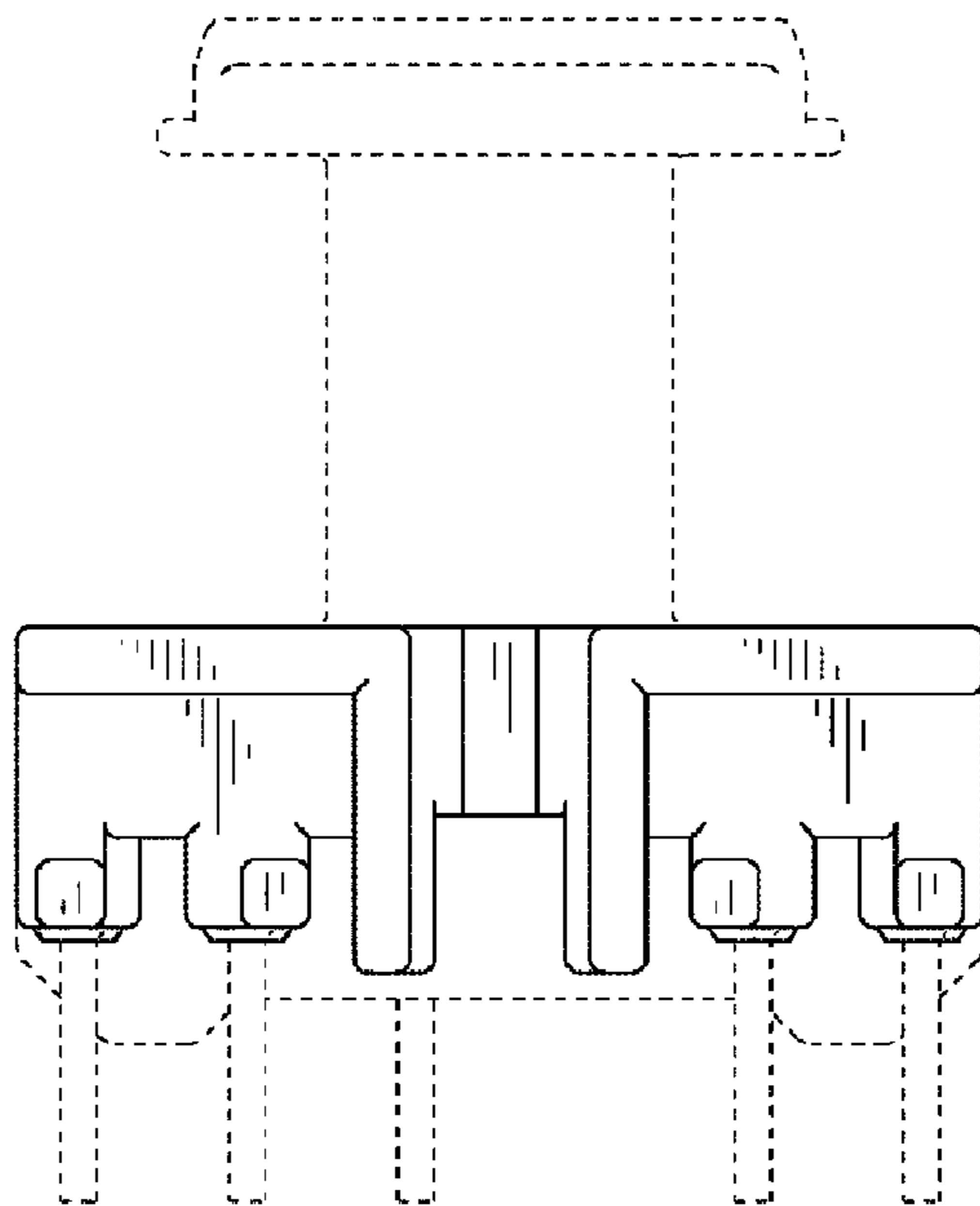
**FIG. 5**



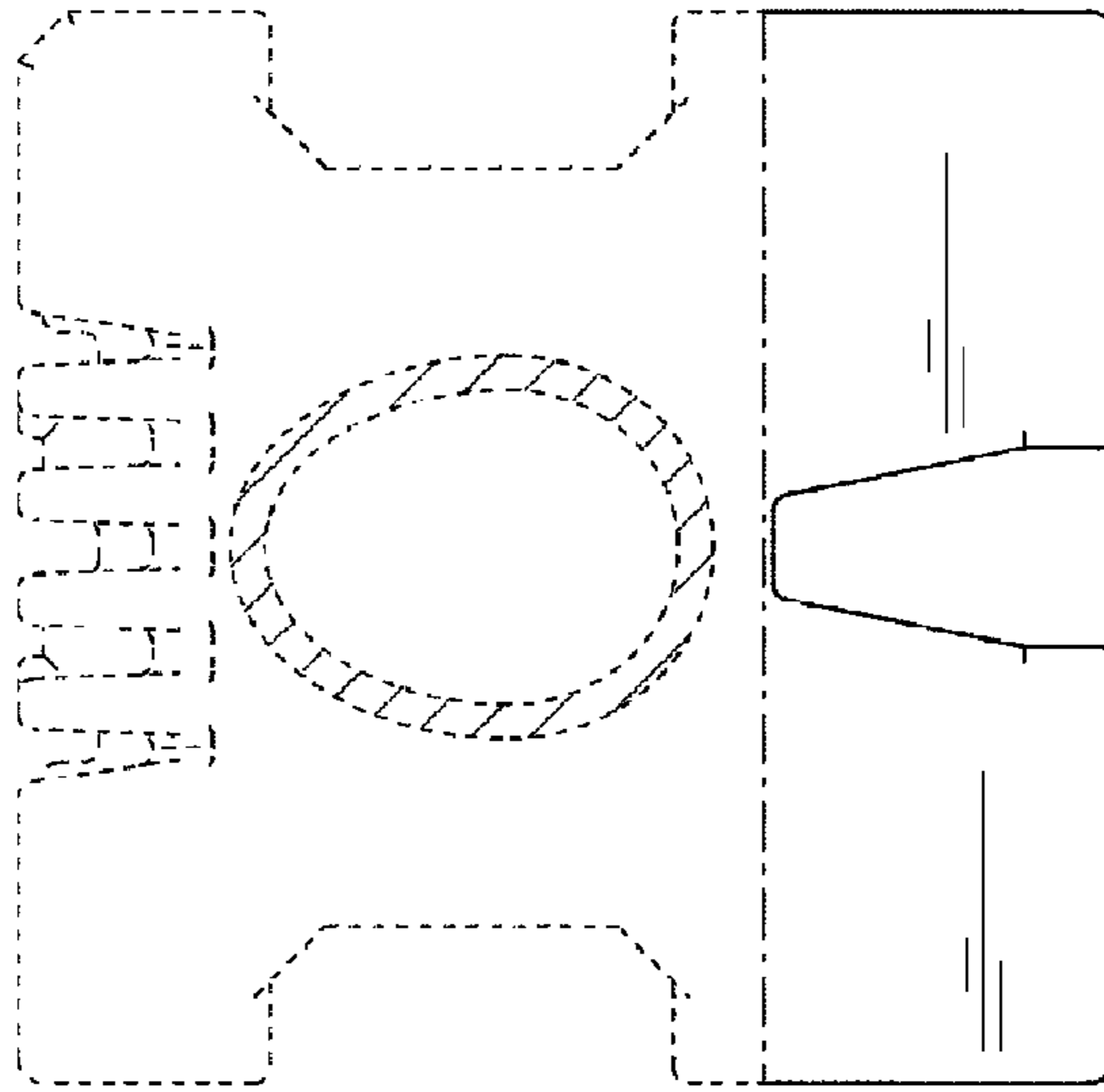
**FIG. 6**



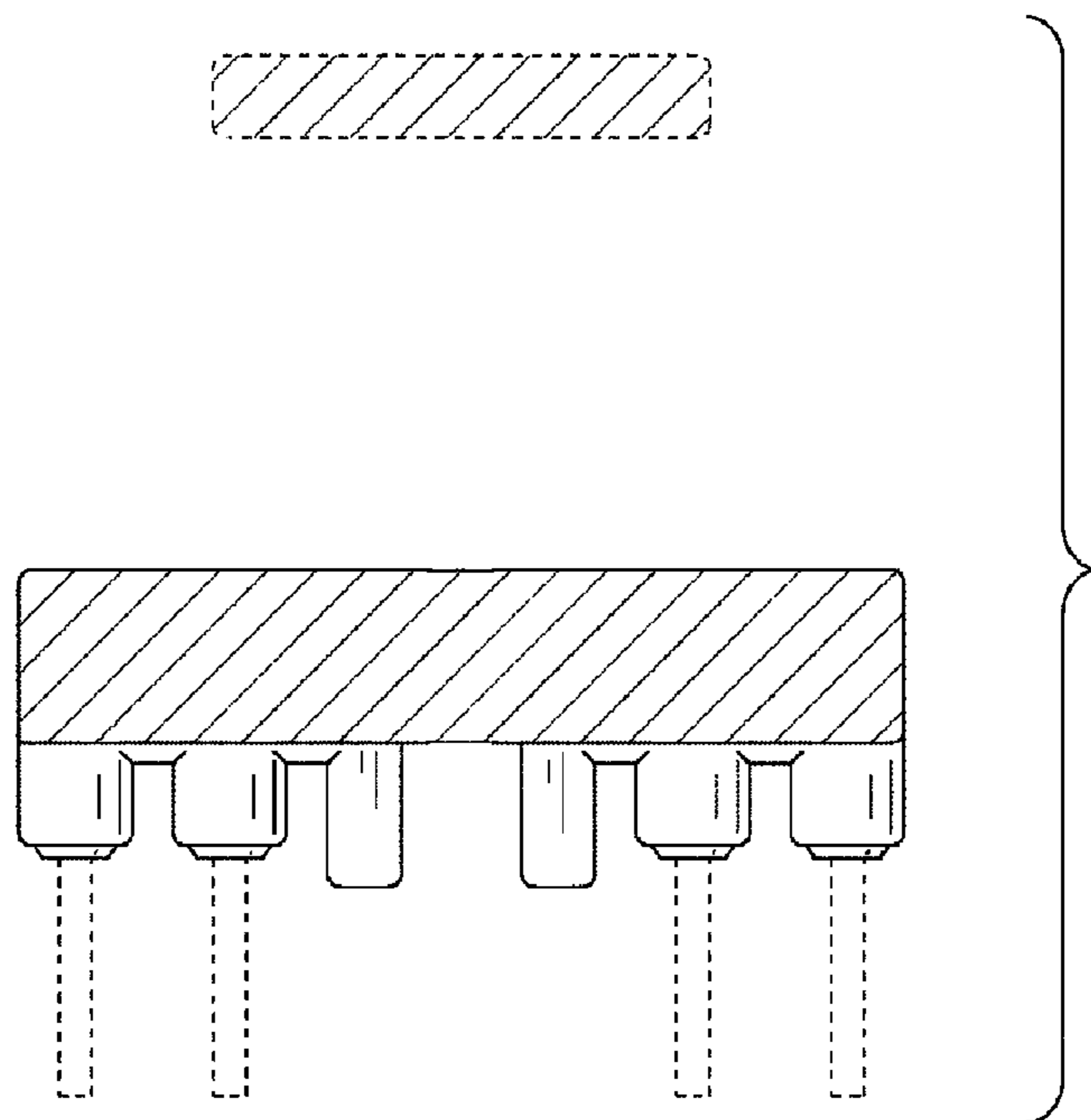
**FIG. 7**



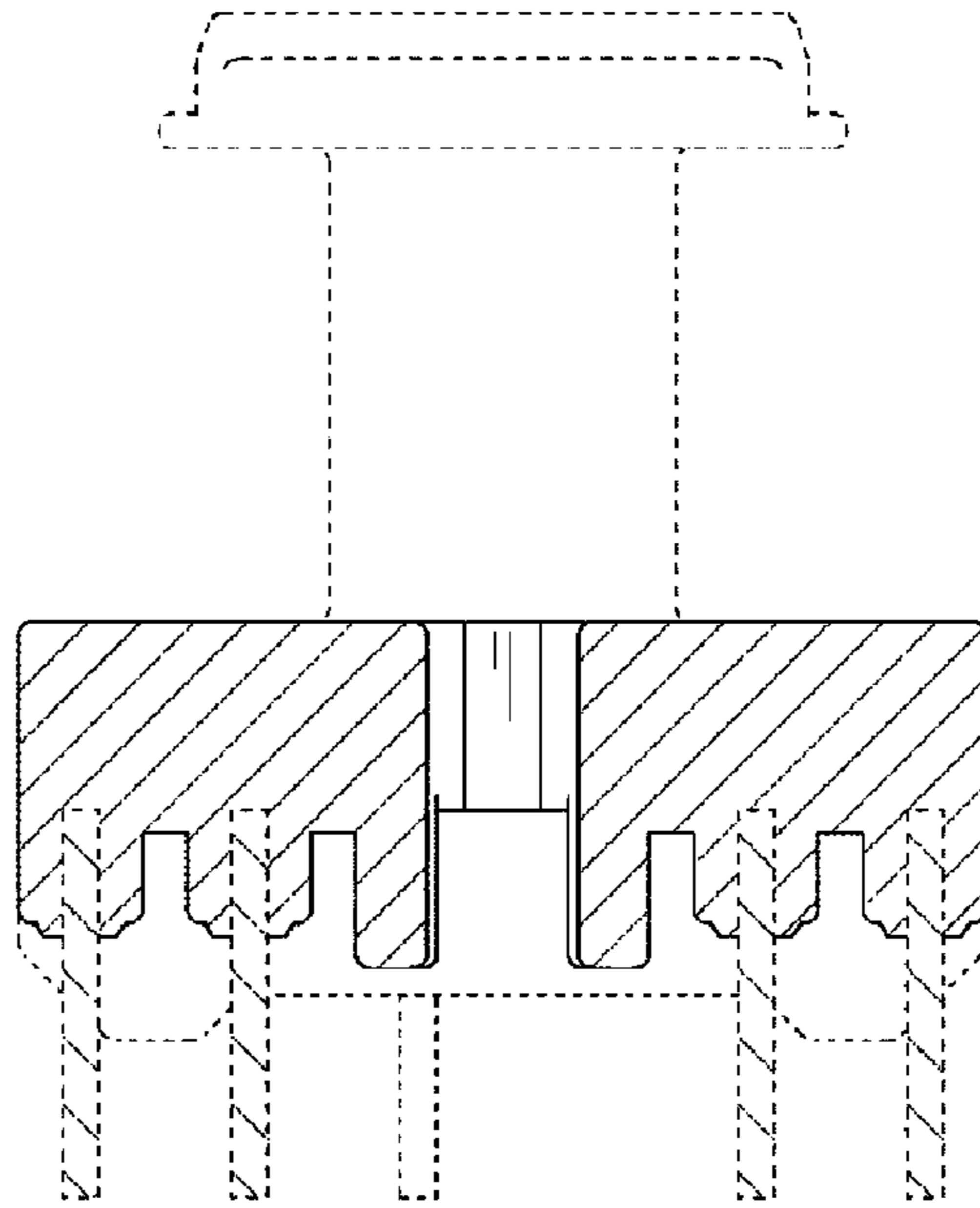
**FIG. 8**



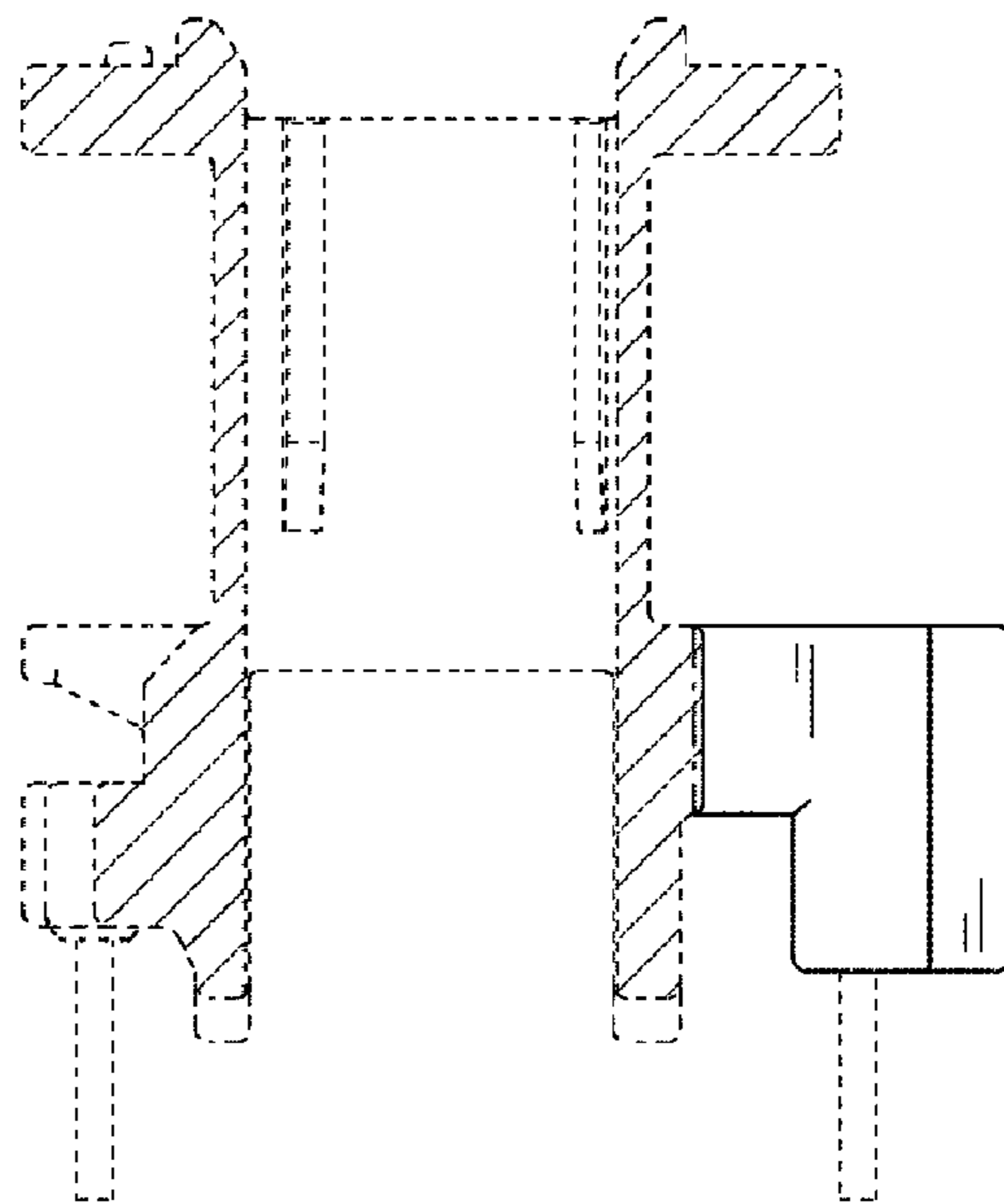
**FIG. 9**



**FIG. 10**



**FIG. 11**



**FIG. 12**