



US00D644605S

(12) **United States Design Patent**
Shaw et al.

(10) **Patent No.:** **US D644,605 S**

(45) **Date of Patent:** **** Sep. 6, 2011**

(54) **TRANSFORMER**

(75) Inventors: **Steven A. Shaw**, Greenville, NC (US);
Brent J. Ackermann, Reidsville, NC
(US)

(73) Assignee: **ABB Technology AG**, Zurich (CH)

(**) Term: **14 Years**

(21) Appl. No.: **29/388,189**

(22) Filed: **Mar. 25, 2011**

(51) **LOC (9) Cl.** **13-02**

(52) **U.S. Cl.** **D13/110**

(58) **Field of Classification Search** D13/110,
D13/101, 117, 120, 123, 184, 199; 174/DIG. 9,
174/DIG. 25; 242/434, 434.7; 336/60, 83,
336/90, 107, 173-175, 198, 207, 208, 210;
361/836

See application file for complete search history.

(56) **References Cited**

U.S. PATENT DOCUMENTS

2,947,957	A *	8/1960	Spindler	336/61
3,028,568	A *	4/1962	Guglielmo	336/70
D202,045	S *	8/1965	Oberlin	D13/110
D259,040	S *	4/1981	Pierce	D13/110
D290,456	S *	6/1987	Burgher et al.	D13/110

4,899,122	A *	2/1990	Sommer	336/65
D324,371	S *	3/1992	Patty	D13/110
D433,993	S *	11/2000	Tang	D13/110
D437,824	S *	2/2001	Sakai et al.	D13/110
6,185,811	B1 *	2/2001	Perry	29/606
D526,273	S	8/2006	Le et al.		

* cited by examiner

Primary Examiner — Stella Reid

Assistant Examiner — Derrick Holland

(74) *Attorney, Agent, or Firm* — Melissa J. Szczepanik

(57) **CLAIM**

We claim the ornamental design for a transformer, as shown and described.

DESCRIPTION

FIG. 1 is a front, right side and top perspective view of the transformer showing our new design;

FIG. 2 is a front elevational view of the FIG. 1 transformer;

FIG. 3 is a rear elevational view of the FIG. 1 transformer;

FIG. 4 is a left side elevational view of the FIG. 1 transformer;

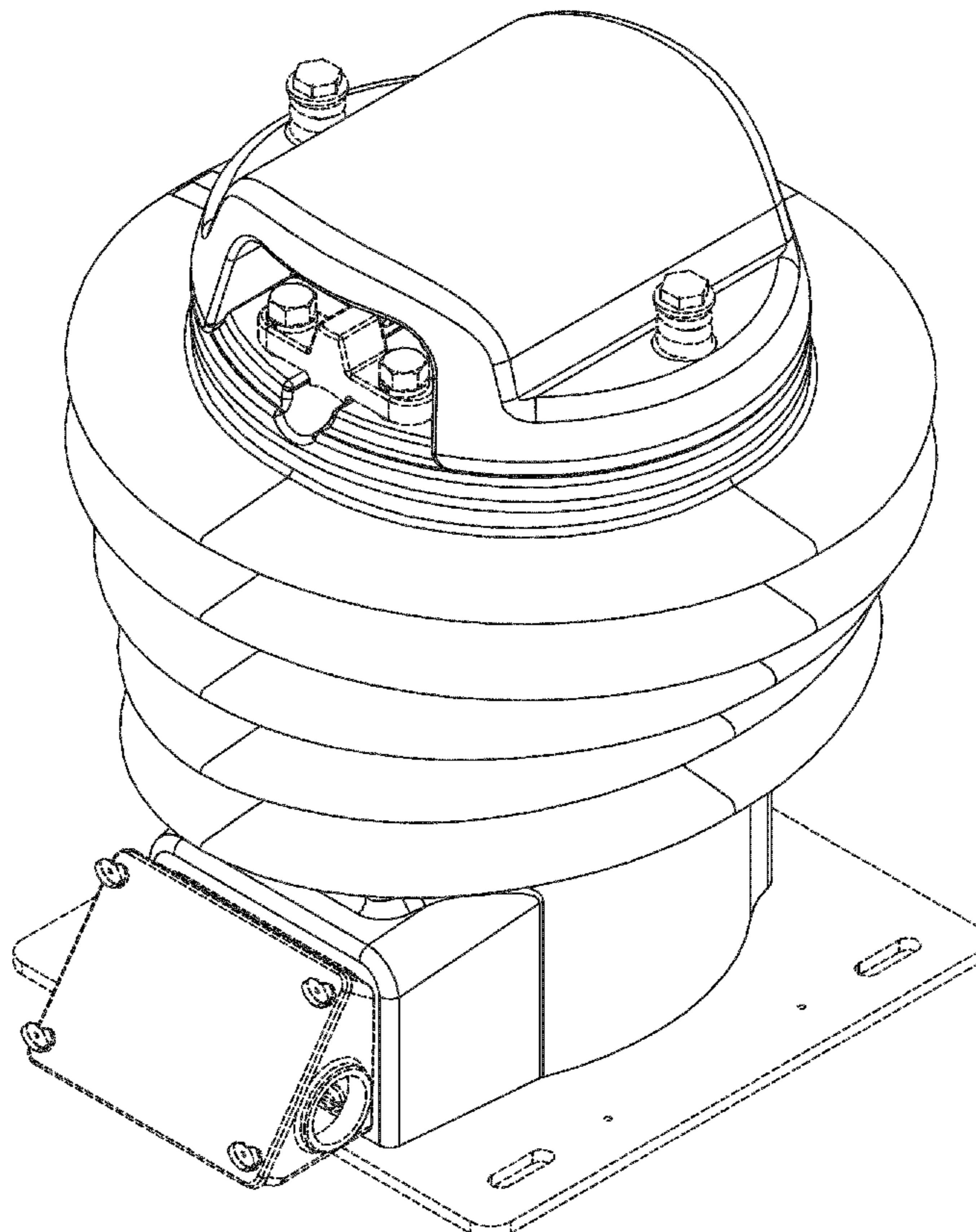
FIG. 5 is a right side elevational view of the FIG. 1 transformer;

FIG. 6 is a top plan view of the FIG. 1 transformer; and,

FIG. 7 is a bottom plan view of the FIG. 1 transformer.

The broken lines shown represent unclaimed subject matter and form no part of the claimed design.

1 Claim, 7 Drawing Sheets



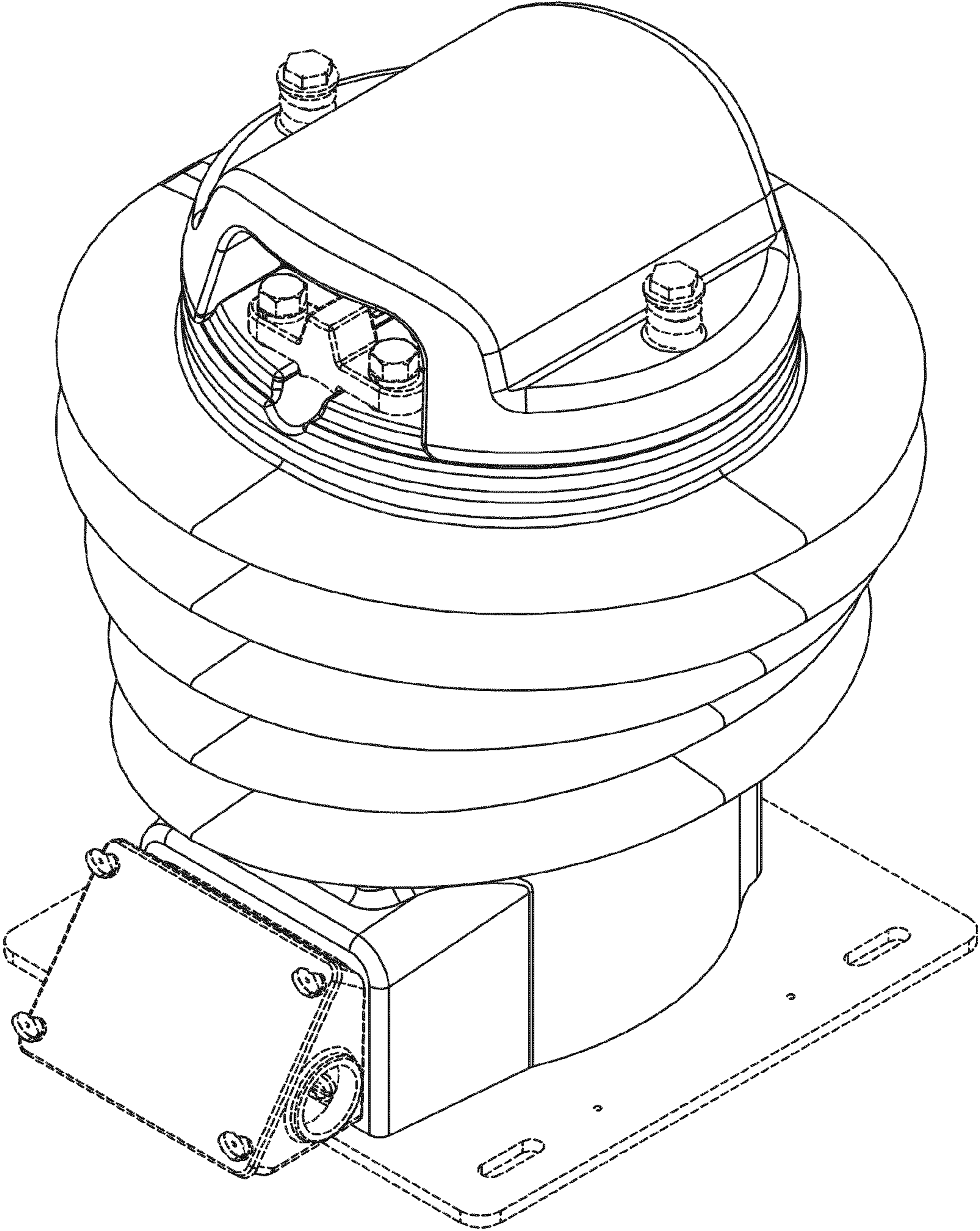


FIG. 1

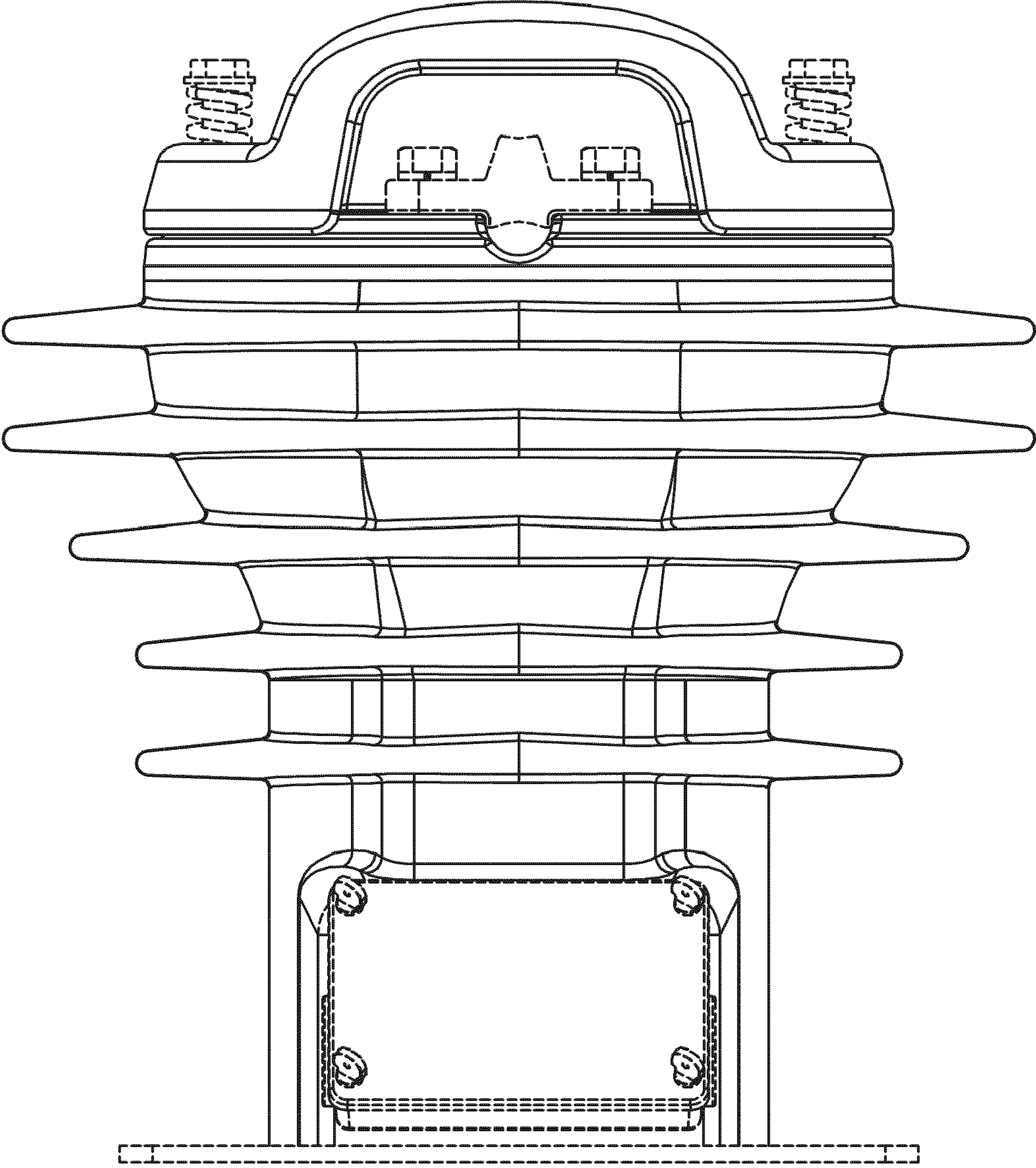


FIG. 2

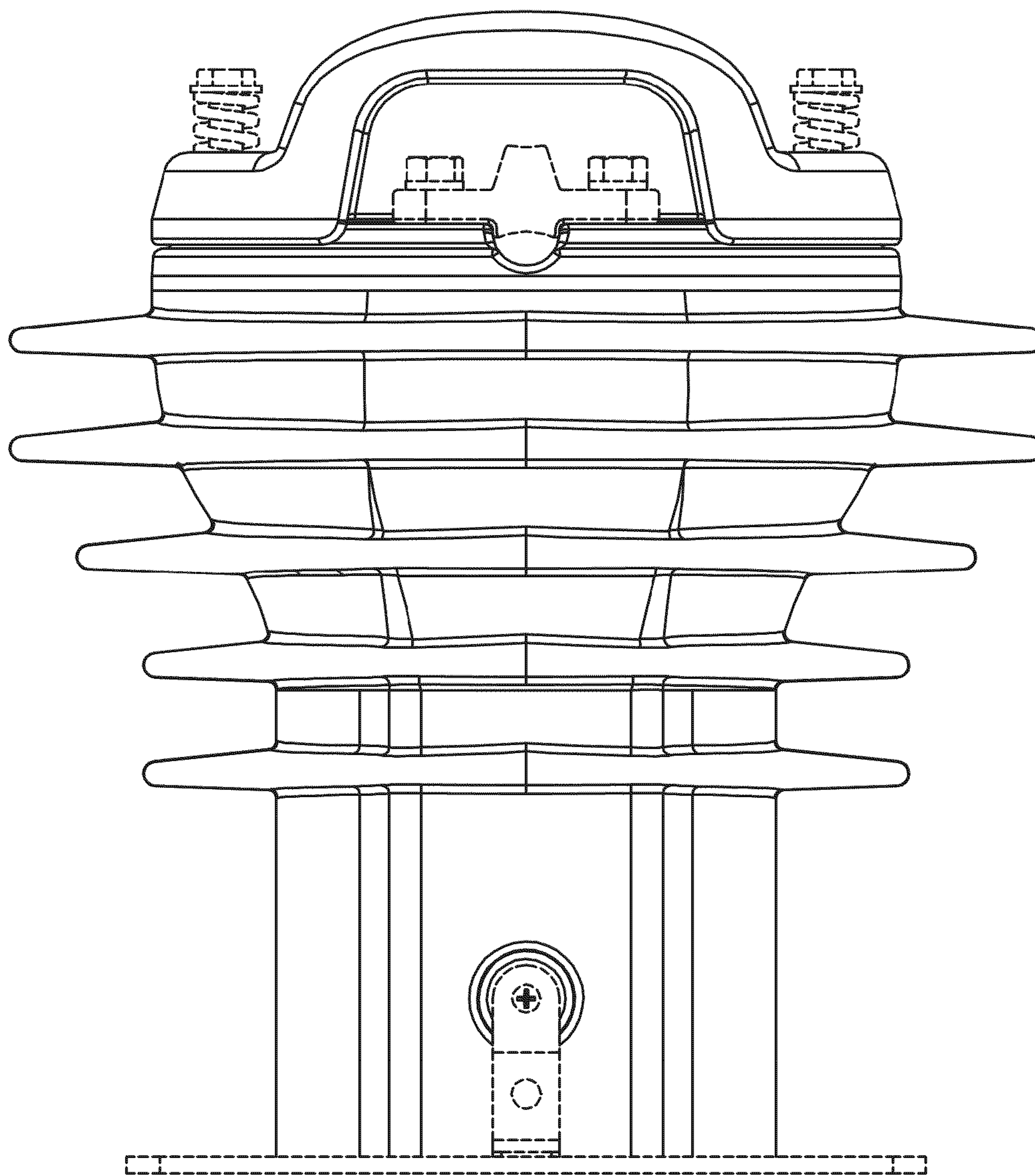


FIG. 3

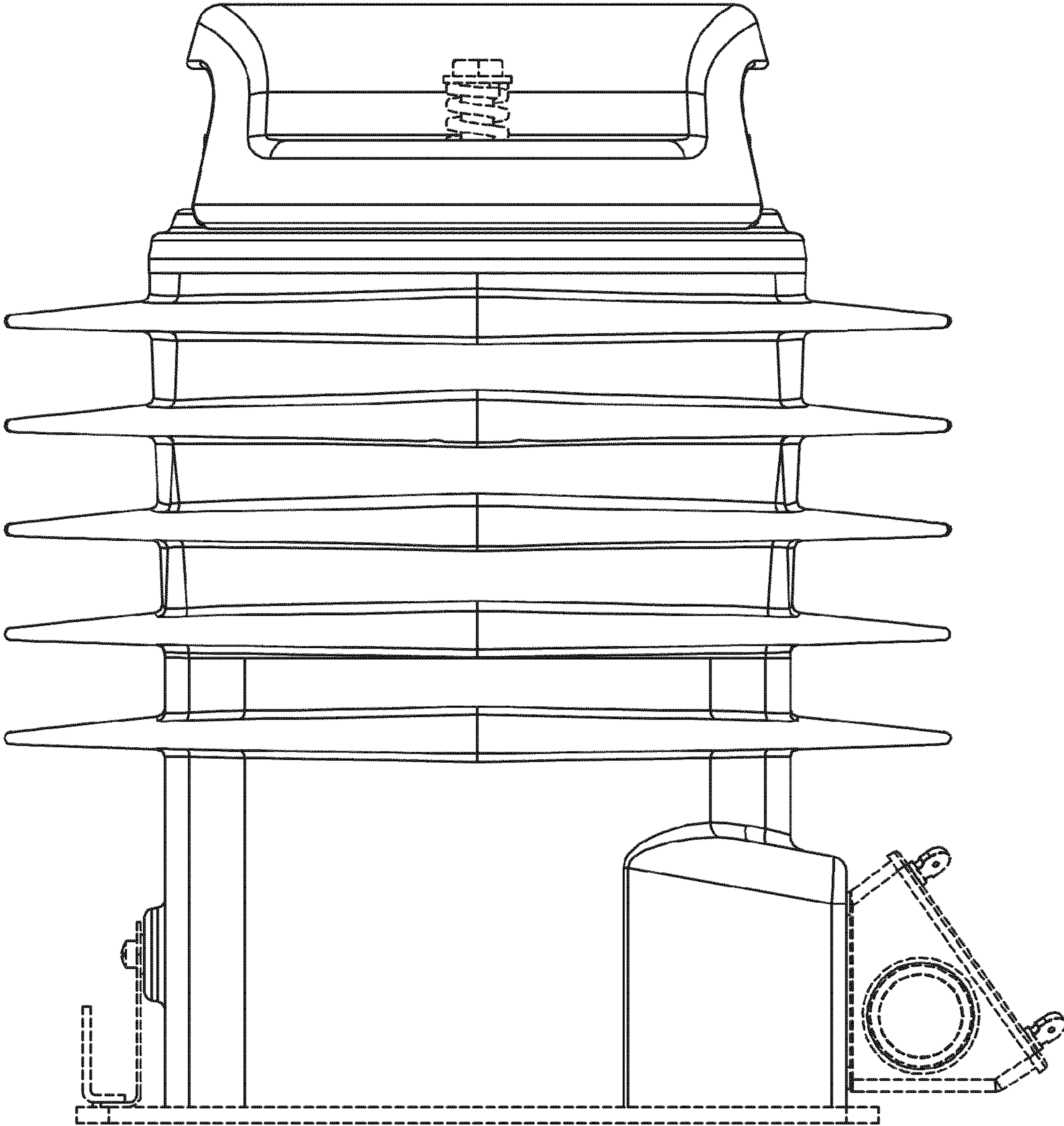


FIG. 4

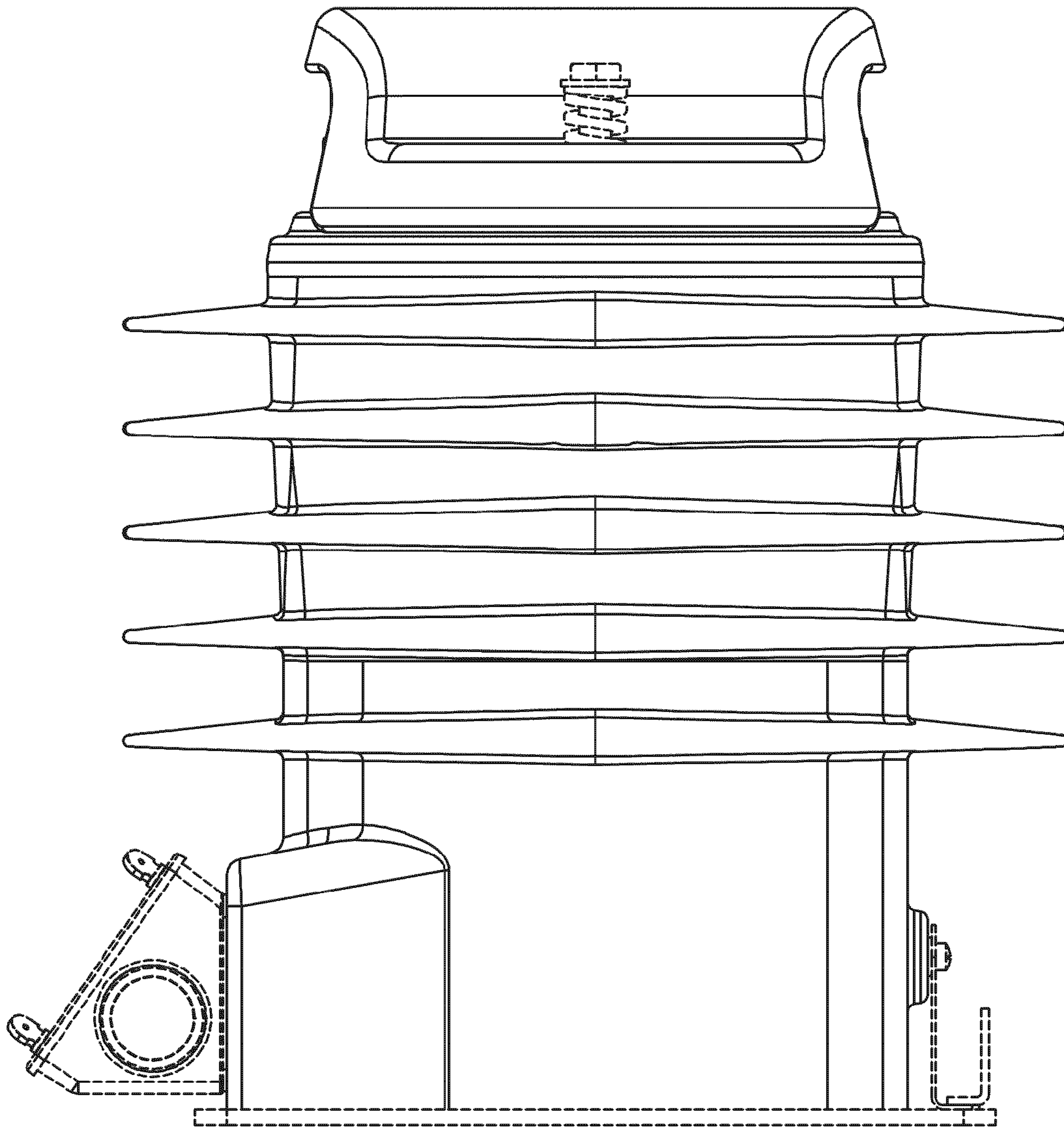


FIG. 5

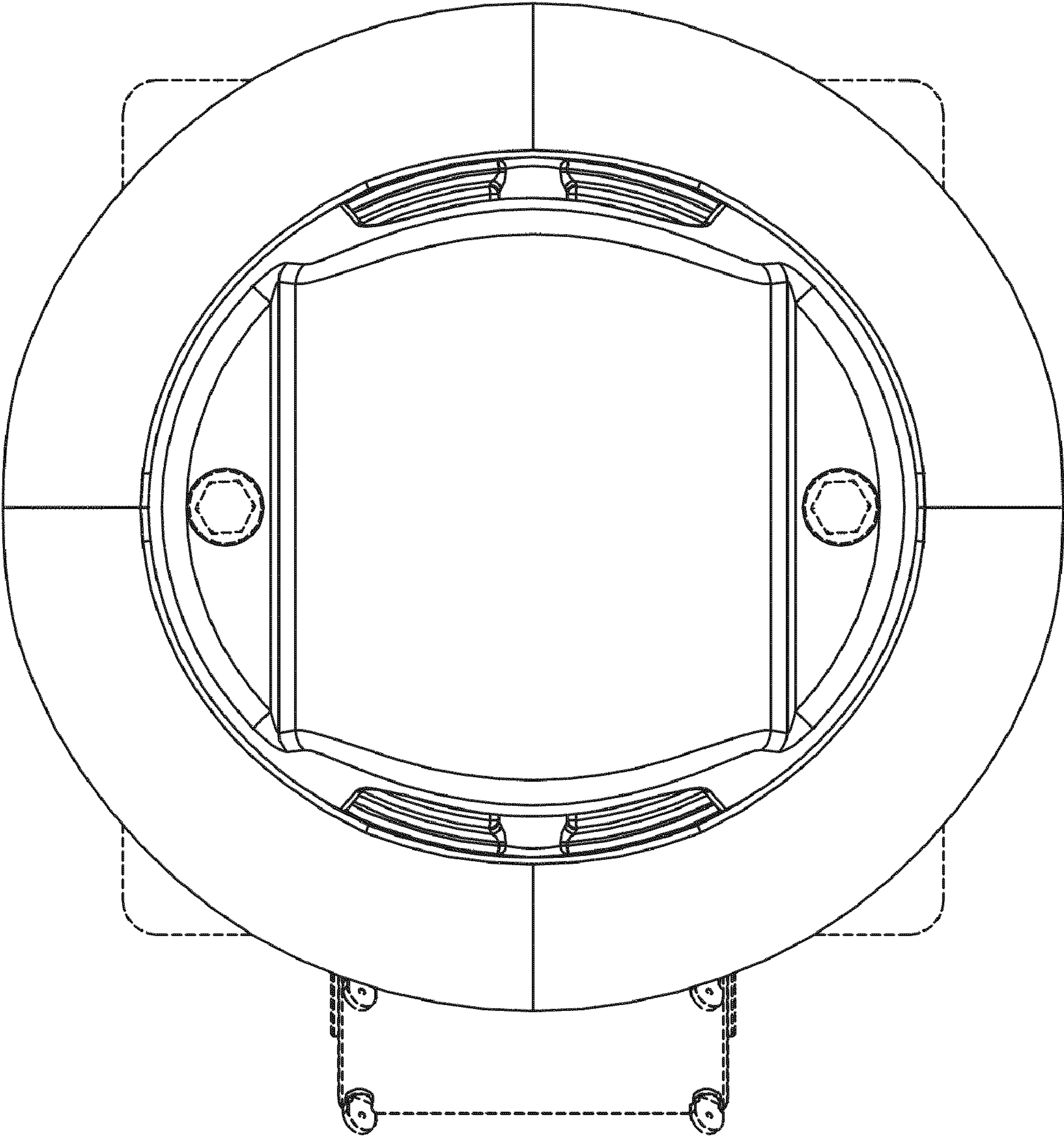


FIG. 6

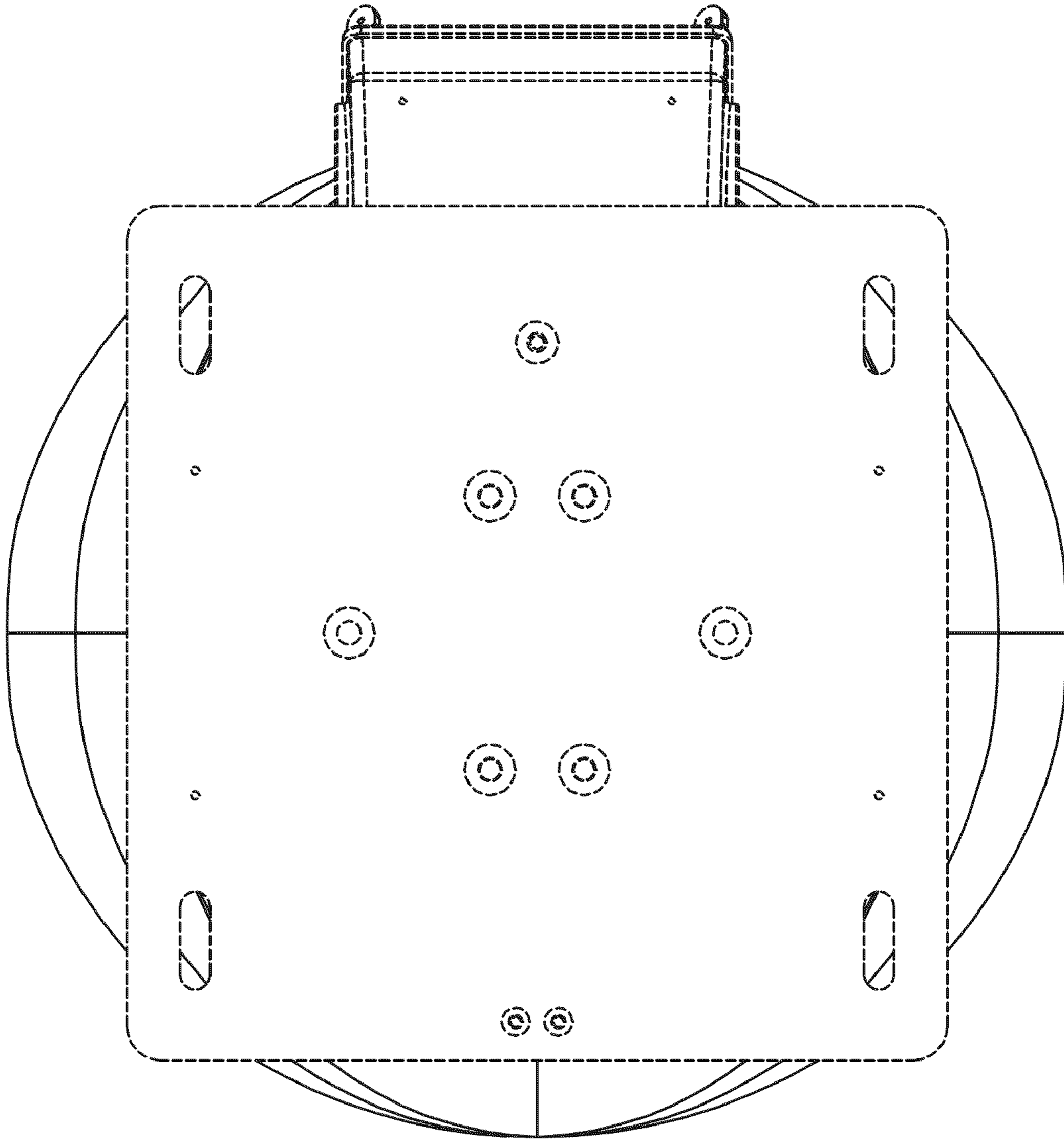


FIG. 7