



US00D644603S

(12) **United States Design Patent**
Liu

(10) **Patent No.:** **US D644,603 S**

(45) **Date of Patent:** **** Sep. 6, 2011**

(54) **SOLAR INVERTER**

(75) Inventor: **Yamin Liu**, Shenzhen (CN)

(73) Assignee: **Shenzhen Kstar New Energy Company Limited**, Shenzhen, Guangdong Province (CN)

(**) Term: **14 Years**

(21) Appl. No.: **29/379,067**

(22) Filed: **Nov. 12, 2010**

(51) **LOC (9) Cl.** **13-02**

(52) **U.S. Cl.** **D13/102; D13/110**

(58) **Field of Classification Search** D13/102,
D13/101, 110, 184, 199; 136/244, 246, 251,
136/259, 291; 361/600, 601, 730; 363/141,
363/142

See application file for complete search history.

(56) **References Cited**

U.S. PATENT DOCUMENTS

D413,567 S * 9/1999 Person et al. D13/110
D427,148 S * 6/2000 Wei D13/110
D483,725 S * 12/2003 Thompson et al. D13/184

D507,528 S * 7/2005 Feldman et al. D13/110
D526,614 S * 8/2006 Kajiura D13/110
D582,842 S * 12/2008 Wei D13/102
D586,291 S * 2/2009 Wei D13/102

* cited by examiner

Primary Examiner — Stella Reid

Assistant Examiner — Derrick Holland

(74) *Attorney, Agent, or Firm* — Cheng-Ju Chiang

(57) **CLAIM**

The ornamental design for a “solar inverter,” as shown and described.

DESCRIPTION

FIG. 1 is a front, top and right side perspective view of a solar inverter showing my new design;

FIG. 2 is a front elevational view thereof;

FIG. 3 is a rear elevational view thereof;

FIG. 4 is a left side elevational view thereof;

FIG. 5 is a right side elevational view thereof;

FIG. 6 is a top plan view thereof; and,

FIG. 7 is a bottom plan view thereof.

The broken lines shown represent unclaimed subject matter and form no part of the claimed design.

1 Claim, 7 Drawing Sheets





FIG. 1

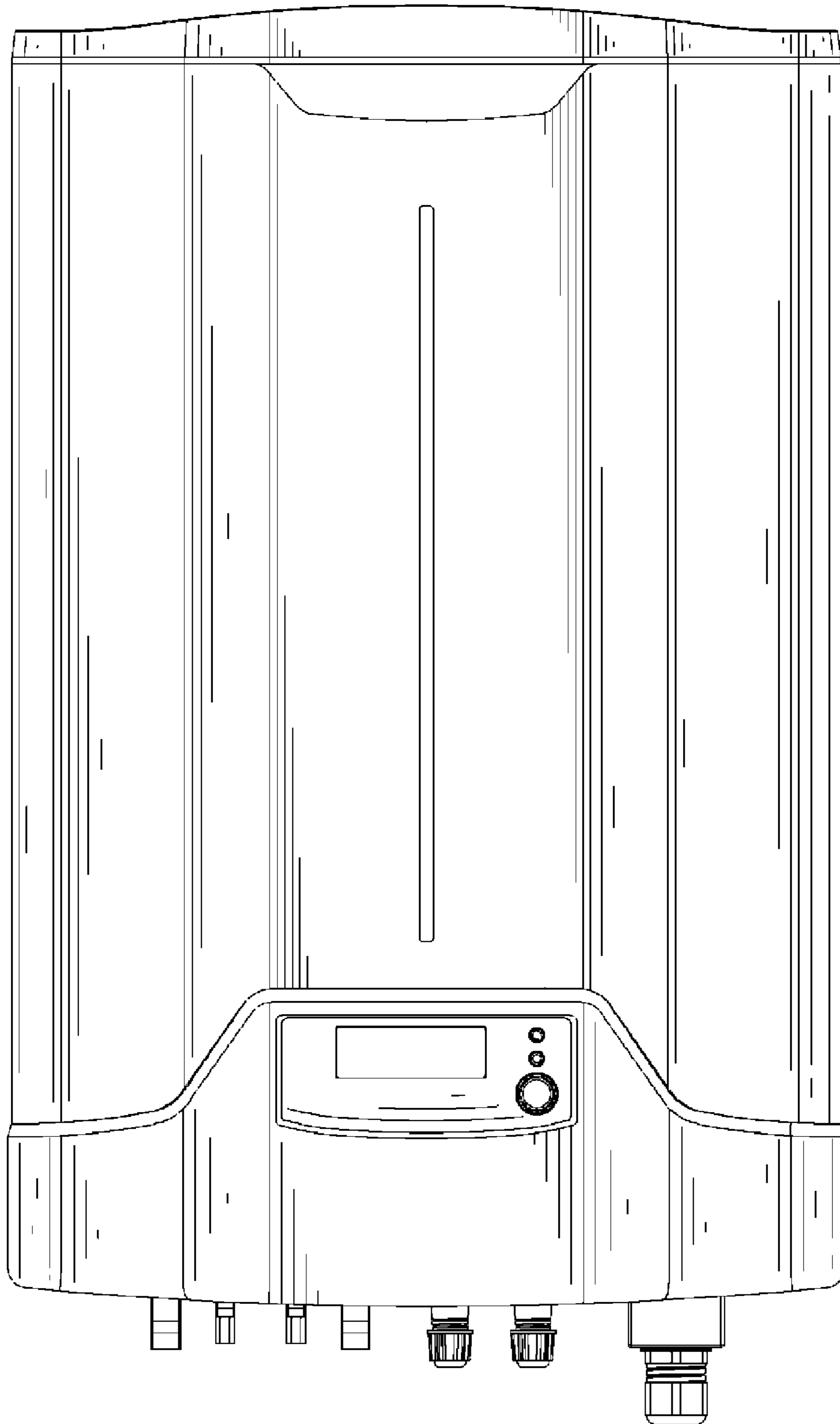


FIG. 2

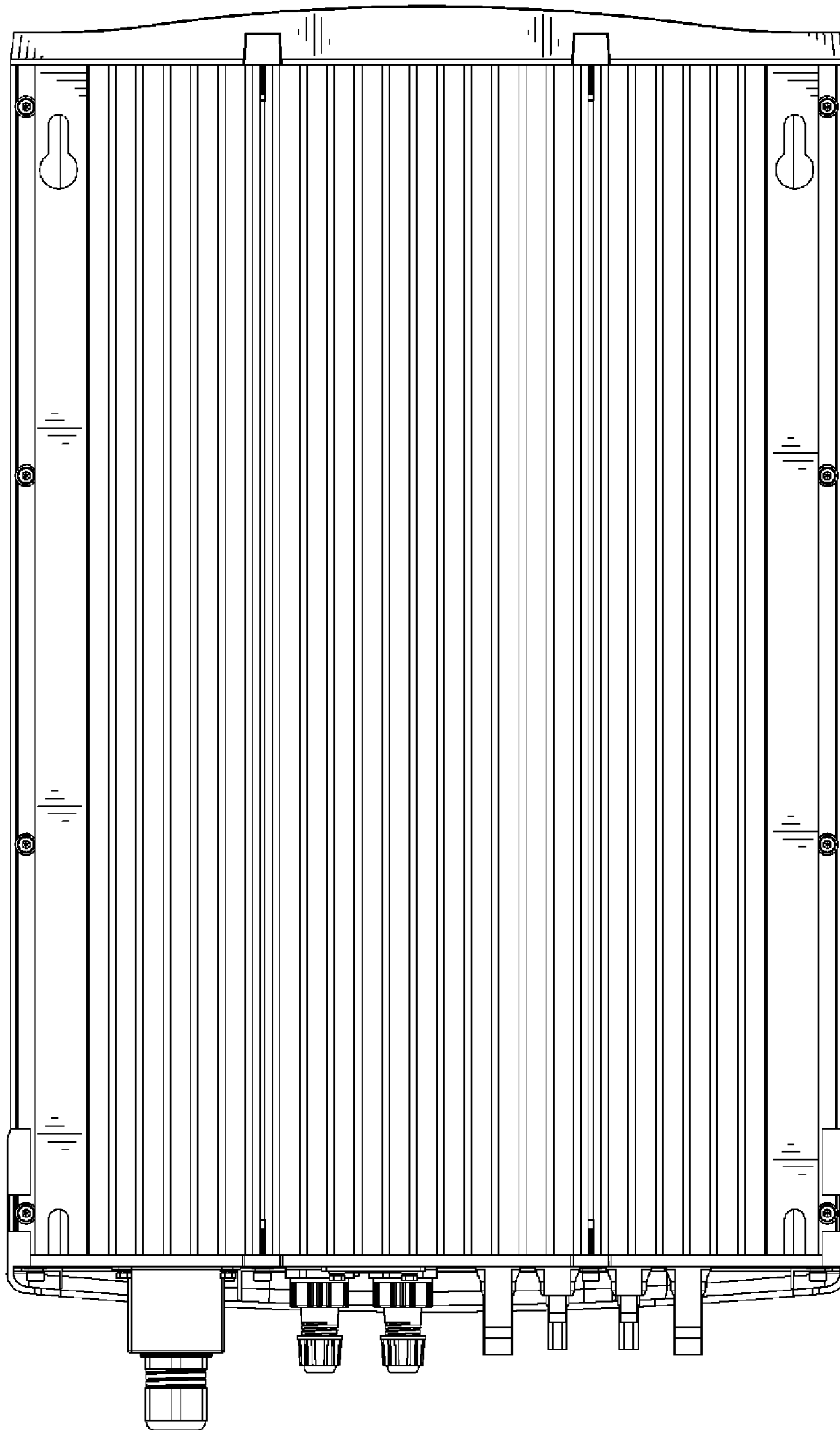


FIG. 3

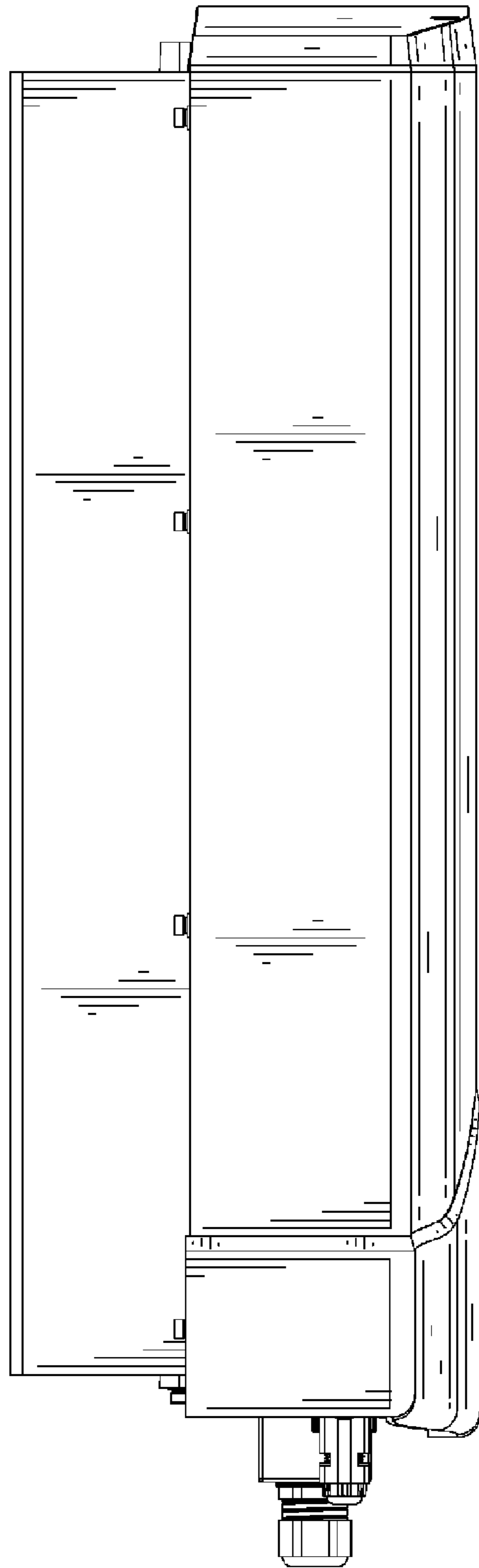


FIG. 4

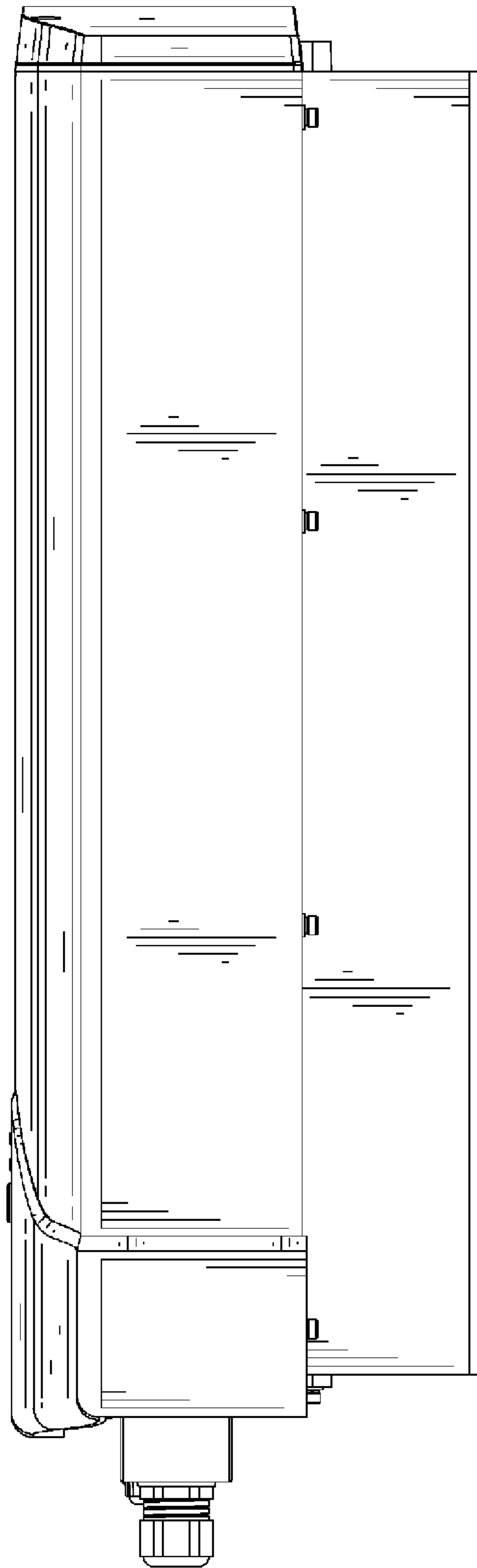


FIG. 5

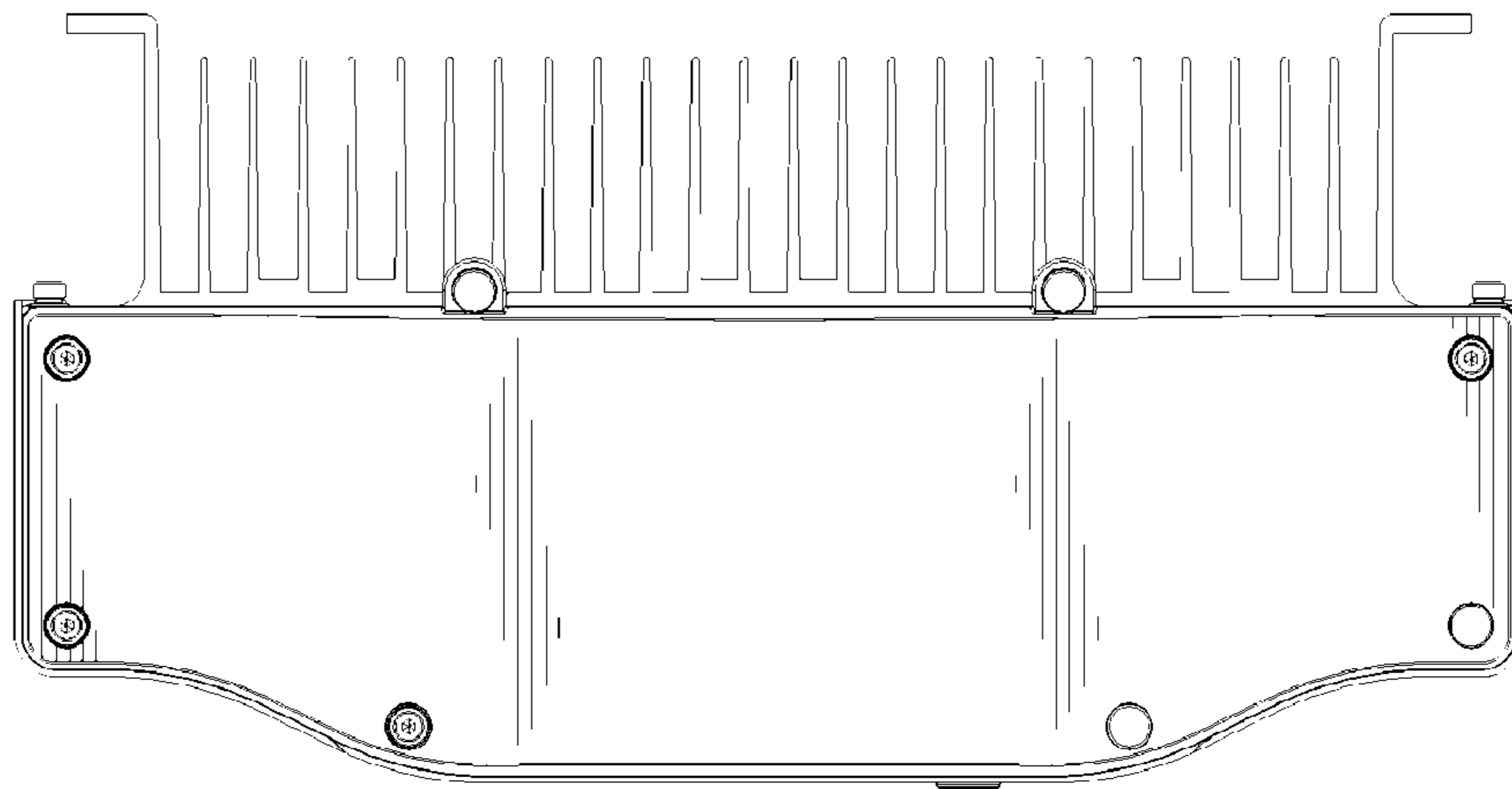


FIG. 6

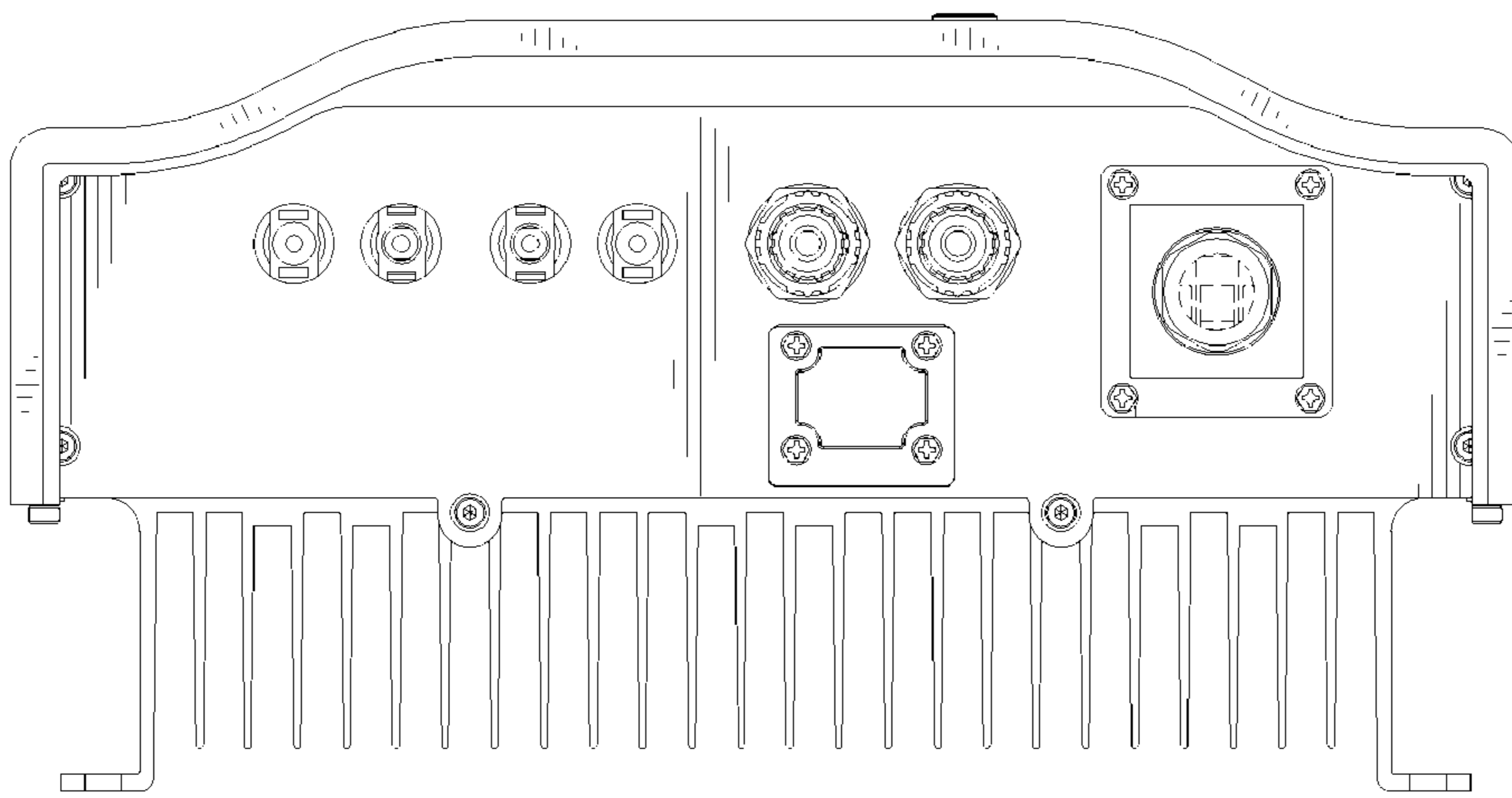


FIG. 7