



US00D644602S

(12) **United States Design Patent**  
**Dieguez et al.**

(10) **Patent No.:** **US D644,602 S**

(45) **Date of Patent:** **\*\* Sep. 6, 2011**

(54) **MOBILE SOLAR GENERATION SYSTEM**

(76) Inventors: **Daniel R. Dieguez**, Deltona, FL (US);  
**John A. Rodriquez**, Live Oak, FL (US)

(\*\*) Term: **14 Years**

(21) Appl. No.: **29/349,775**

(22) Filed: **Apr. 30, 2010**

(51) **LOC (9) Cl.** ..... **13-02**

(52) **U.S. Cl.** ..... **D13/102**

(58) **Field of Classification Search** ..... D13/102,  
D13/101, 184, 199; D12/101, 106; 52/118,  
52/173.3; 126/623, 624; 136/206, 244-251,  
136/256, 291, 292

See application file for complete search history.

(56) **References Cited**

**U.S. PATENT DOCUMENTS**

5,168,680 A \* 12/1992 Matlock ..... 52/118  
D340,681 S \* 10/1993 Alpiser et al. .... D12/101  
D353,129 S \* 12/1994 Ricaud et al. .... D13/102

D369,328 S \* 4/1996 Acosta ..... D12/101  
D487,884 S \* 3/2004 Peress et al. .... D13/102  
D584,223 S \* 1/2009 Cooper ..... D13/102

\* cited by examiner

*Primary Examiner* — Stella Reid

*Assistant Examiner* — Derrick Holland

(74) *Attorney, Agent, or Firm* — Melvin K. Silverman; Yi Li

(57) **CLAIM**

The ornamental design for a mobile solar generation system, as shown and described.

**DESCRIPTION**

FIG. 1 is a side perspective view of a mobile solar generation system showing our new design.

FIG. 2 is a front elevational view thereof;

FIG. 3 is a rear elevational view thereof;

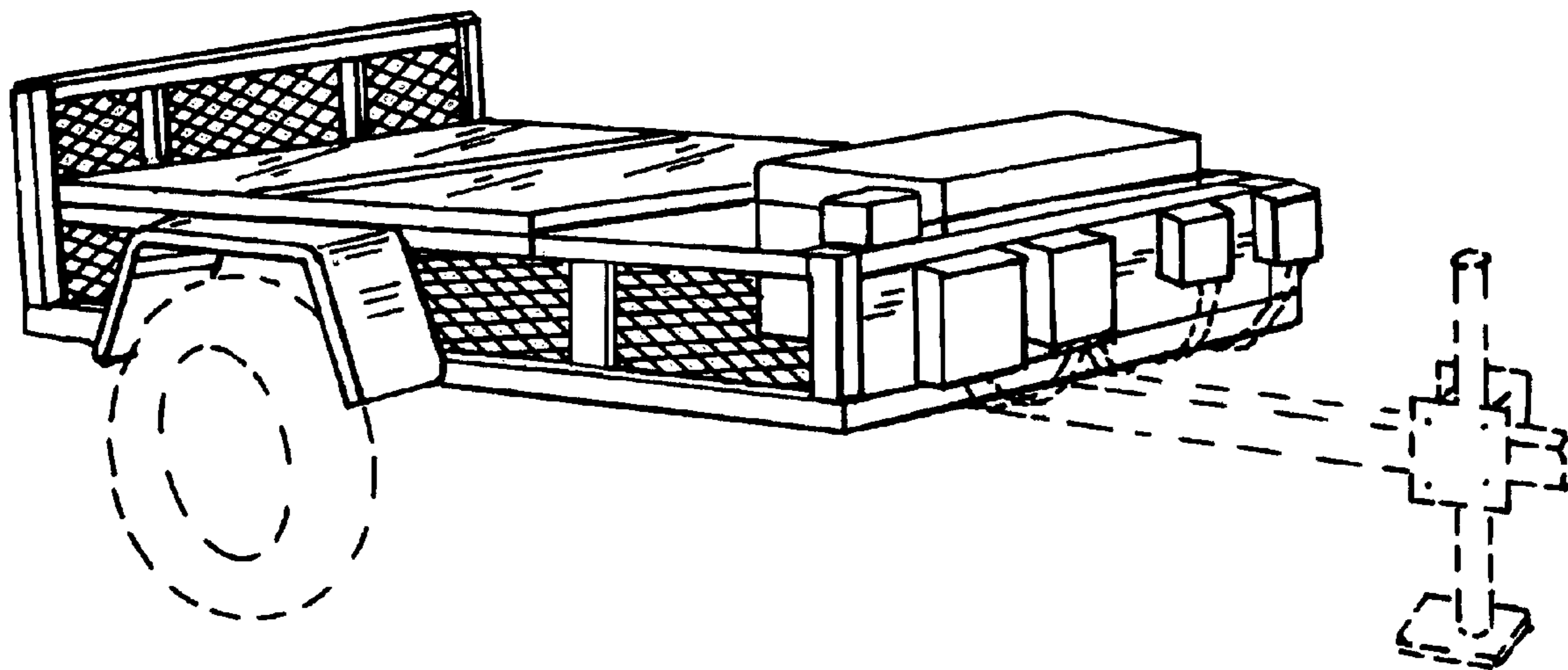
FIG. 4 is a left side elevational view thereof;

FIG. 5 is a right side elevational view thereof; and,

FIG. 6 is a top plan view thereof.

The broken lines shown represent unclaimed subject matter and form no part of the claimed design.

**1 Claim, 4 Drawing Sheets**



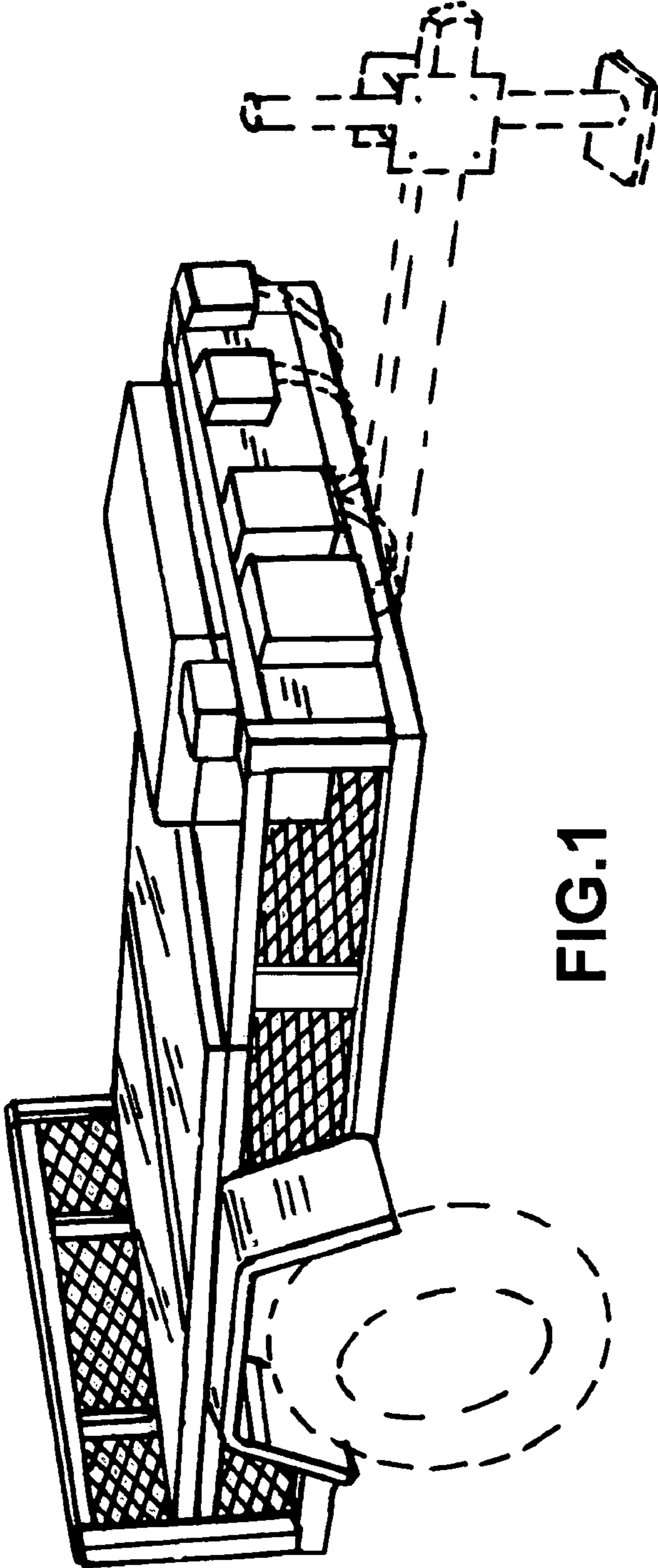


FIG.1

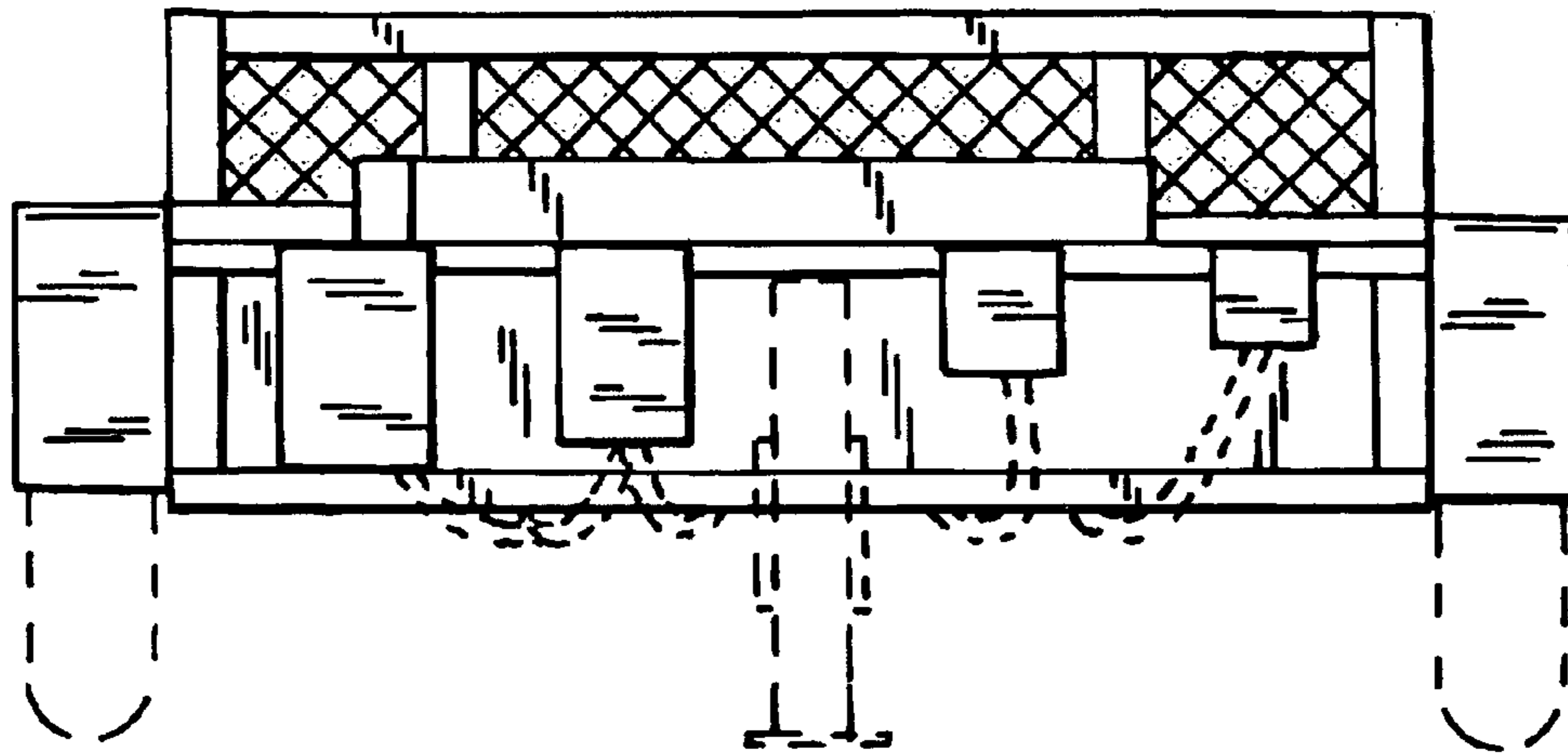


FIG. 2

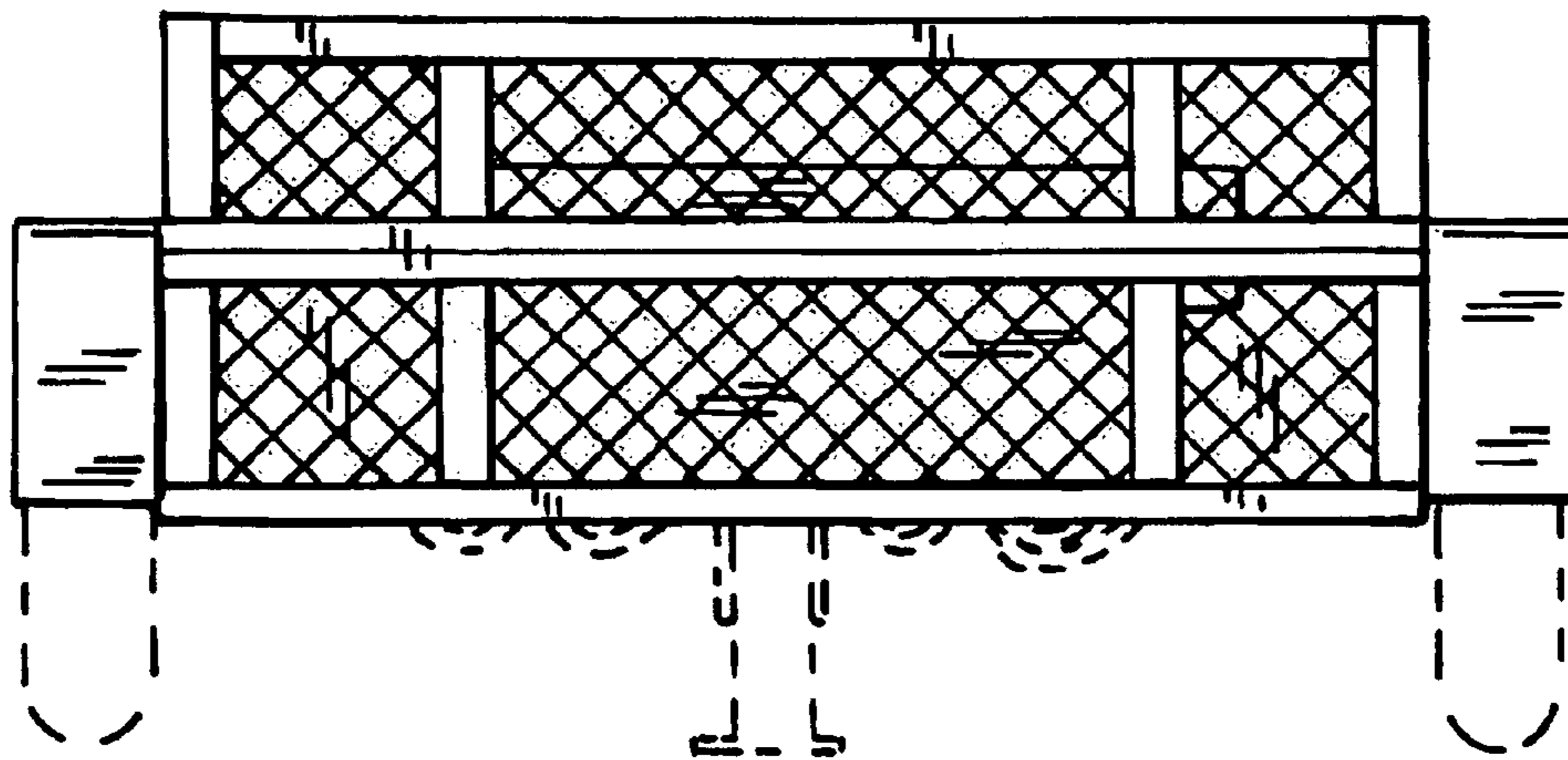


FIG. 3

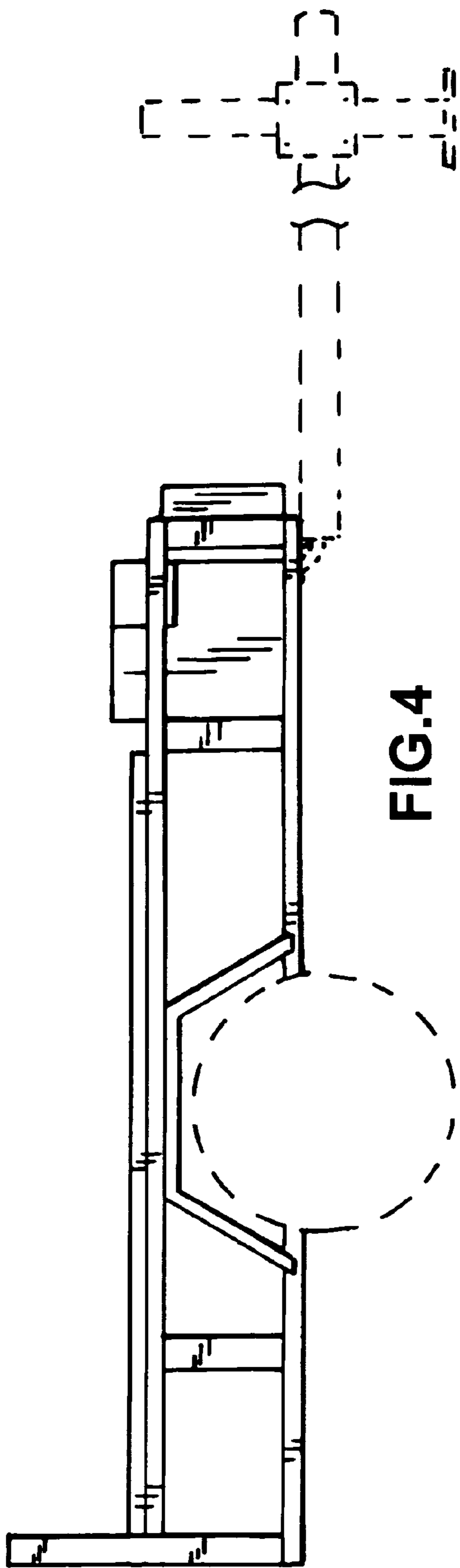


FIG. 4

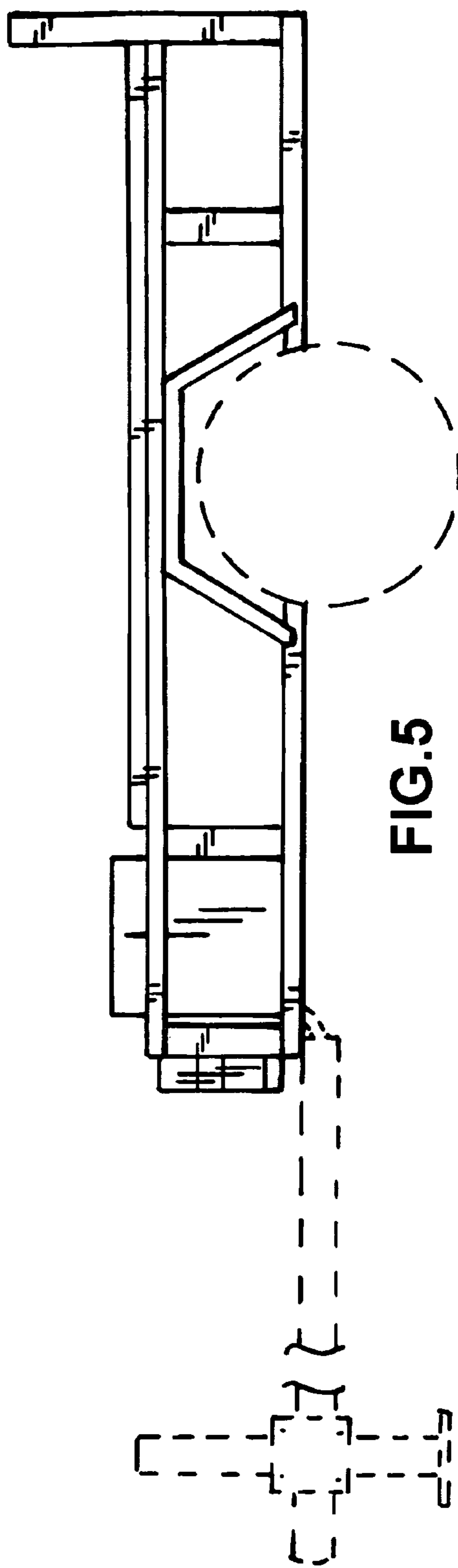


FIG. 5

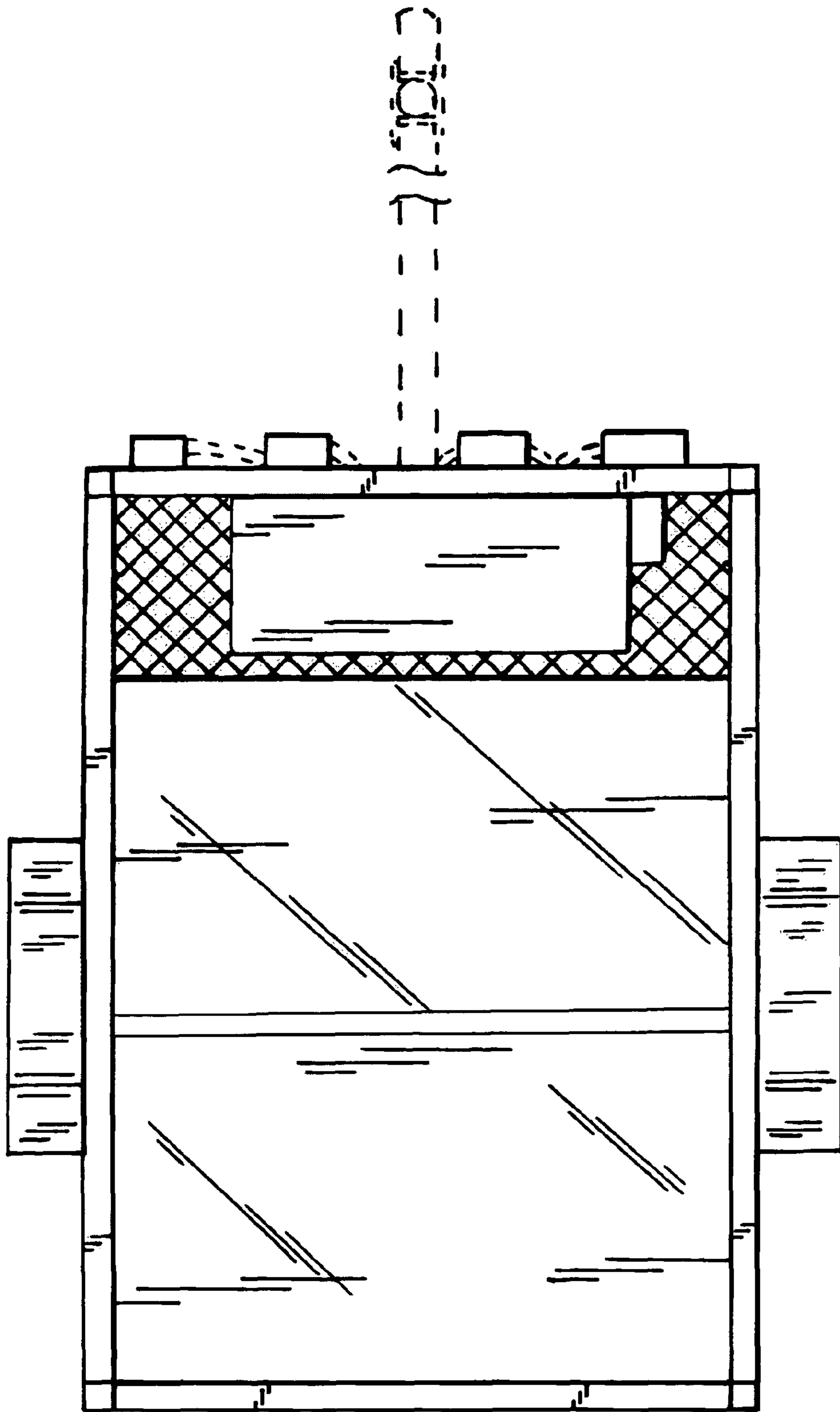


FIG.6