



US00D644599S

(12) **United States Design Patent**
Nicolas et al.

(10) **Patent No.:** **US D644,599 S**

(45) **Date of Patent:** **** Sep. 6, 2011**

- (54) **TIRE**
- (75) Inventors: **Bernard Robert Nicolas**, Arlon (BE);
Nizar Toumni, Ettelbruck (LU)
- (73) Assignee: **The Goodyear Tire & Rubber Company**, Akron, OH (US)
- (**) Term: **14 Years**
- (21) Appl. No.: **29/375,950**
- (22) Filed: **Sep. 30, 2010**
- (51) **LOC (9) Cl.** **12-15**
- (52) **U.S. Cl.** **D12/601; D12/900**
- (58) **Field of Classification Search** D12/900-901,
D12/564-567, 568-603; 152/209.1-209.28,
152/455
See application file for complete search history.

D583,309 S	12/2008	Licht et al.	D12/588
D588,528 S	3/2009	de Barsy	D12/588
D599,282 S	9/2009	Nicolaas et al.	D12/588
D609,169 S	2/2010	Feider	D12/588
D610,077 S *	2/2010	Tobino	D12/601
D610,529 S *	2/2010	Tobino et al.	D12/601
D617,262 S *	6/2010	Tobino	D12/601
D631,001 S *	1/2011	Hughes et al.	D12/601

* cited by examiner

Primary Examiner — Stacia Cadmus

(74) *Attorney, Agent, or Firm* — Richard B. O’Planick

(57) **CLAIM**

The ornamental design for a tire, as shown and described.

DESCRIPTION

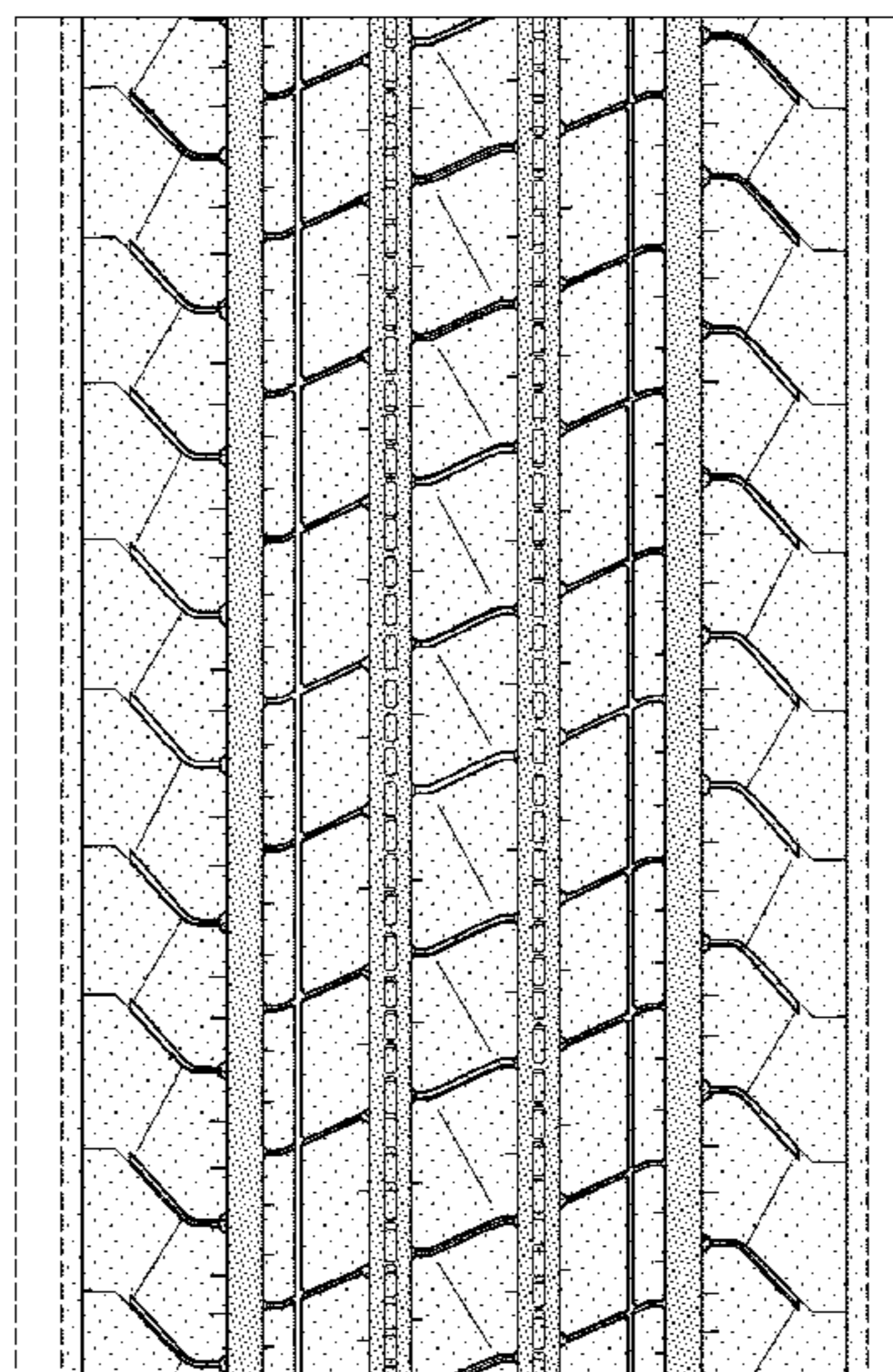
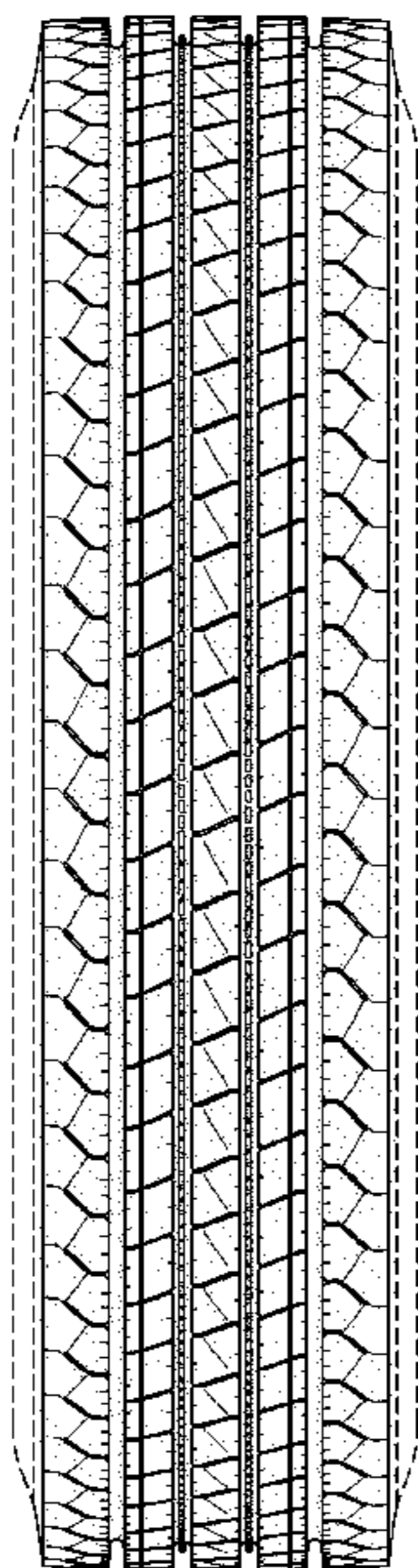
FIG. 1 is a perspective view of a tire showing our new design, it being understood that the pattern repeats uniformly throughout the circumference of the tread;
 FIG. 2 is a front elevational view thereof;
 FIG. 3 is a right side elevational view thereof; the opposite side elevational view being identical thereto;
 FIG. 4 is an enlarged fragmentary front elevational view thereof;
 FIG. 5 is a perspective view of a second embodiment of a tire showing our new design, it being understood that the pattern repeats uniformly throughout the circumference of the tread and that the opposite side view is identical thereto; and,
 FIG. 6 is a front elevational view of a second embodiment, it being understood that an enlarged fragmentary view thereof would be substantially identical to that shown in FIG. 4, with the exception of the inclusion of the sidewall in solid lines.
 In the drawings, the broken lines showing of the sidewall, inner bead and the peripheral boundary between the tire tread and the sidewall in FIGS. 1 through 4 depict environmental subject matter and form no part of the claimed design.

(56) **References Cited**

U.S. PATENT DOCUMENTS

D384,609 S	10/1997	Gillard et al.	D12/146
D403,281 S *	12/1998	Allen et al.	D12/601
D405,740 S	2/1999	Heinen et al.	D12/147
D424,986 S *	5/2000	Yoshioka	D12/601
D433,356 S *	11/2000	Loeffler et al.	D12/601
D453,009 S *	1/2002	Helt	D12/601
D460,407 S *	7/2002	Moore	D12/601
D481,670 S	11/2003	Harden, Jr. et al.	D12/595
D481,671 S *	11/2003	Feider et al.	D12/601
D481,992 S	11/2003	Harden, Jr. et al.	D12/595
D498,206 S	11/2004	Cazin-Bourguignon et al.	D12/588
D511,741 S *	11/2005	Cazin-Bourguignon et al.	D12/601
D541,737 S	5/2007	Cazin-Bourguignon et al.	D12/600
D581,347 S	11/2008	Feider et al.	D12/523

1 Claim, 6 Drawing Sheets



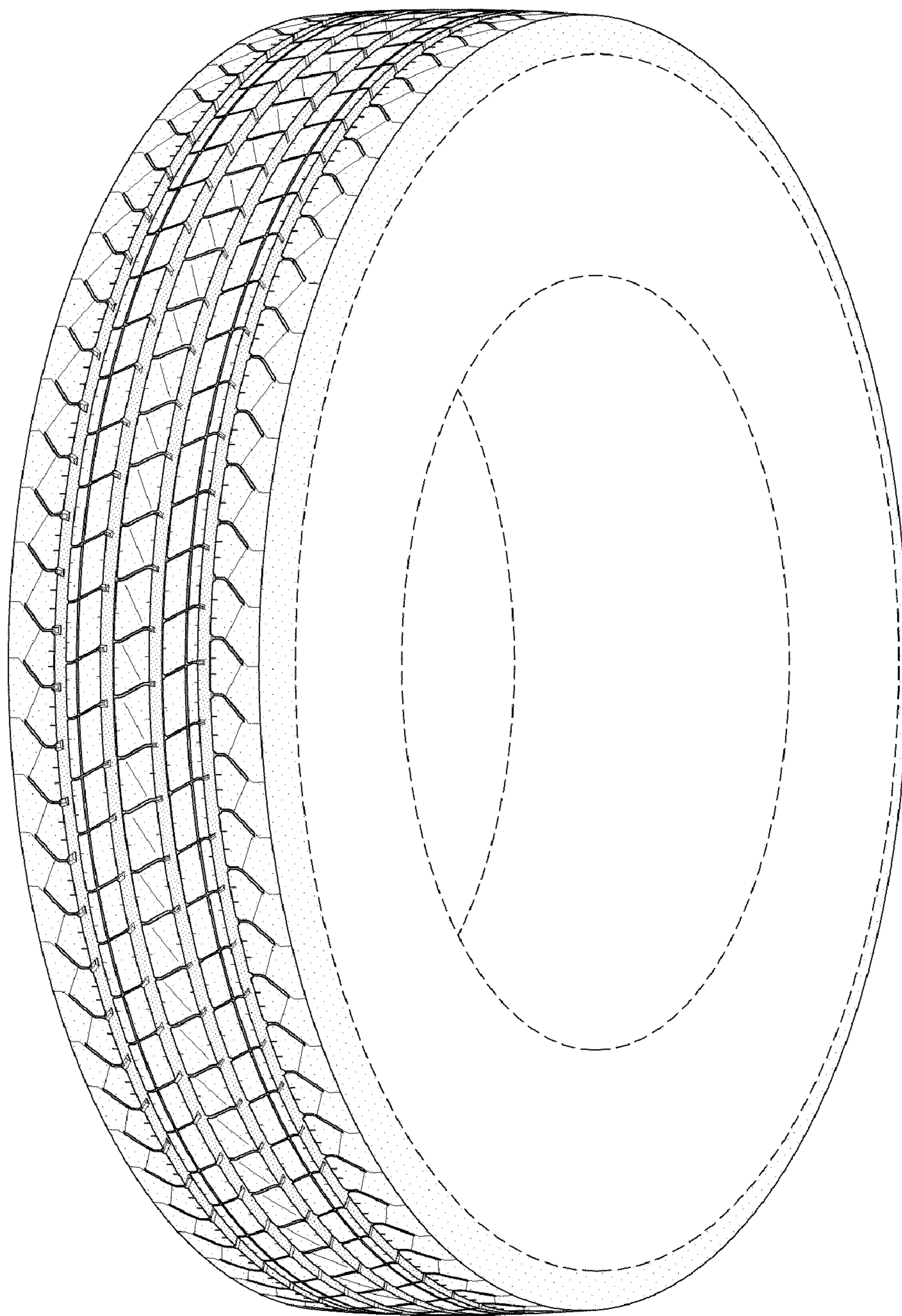


FIG-1

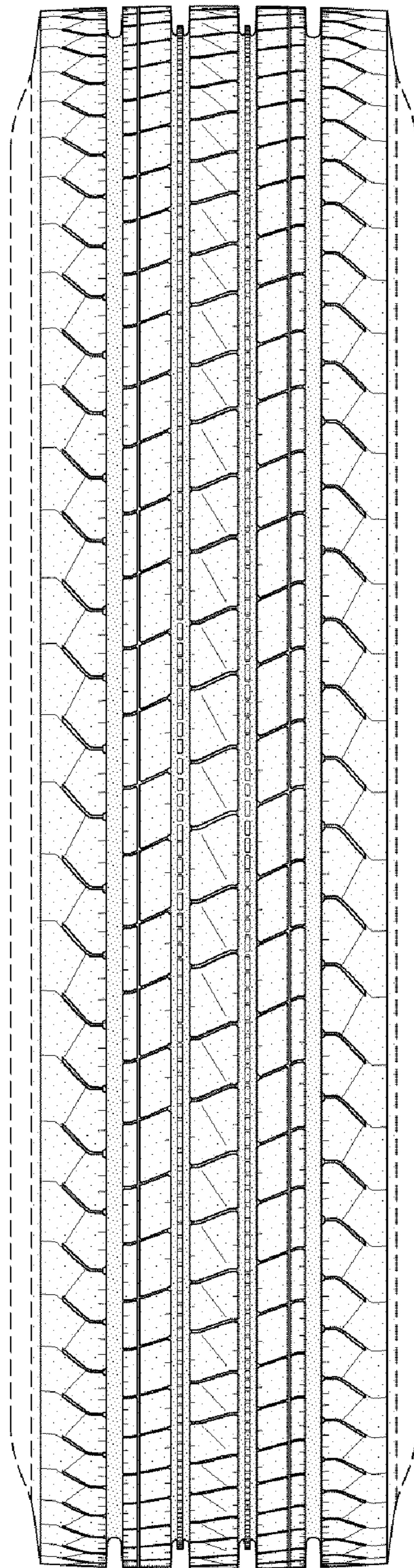


FIG-2

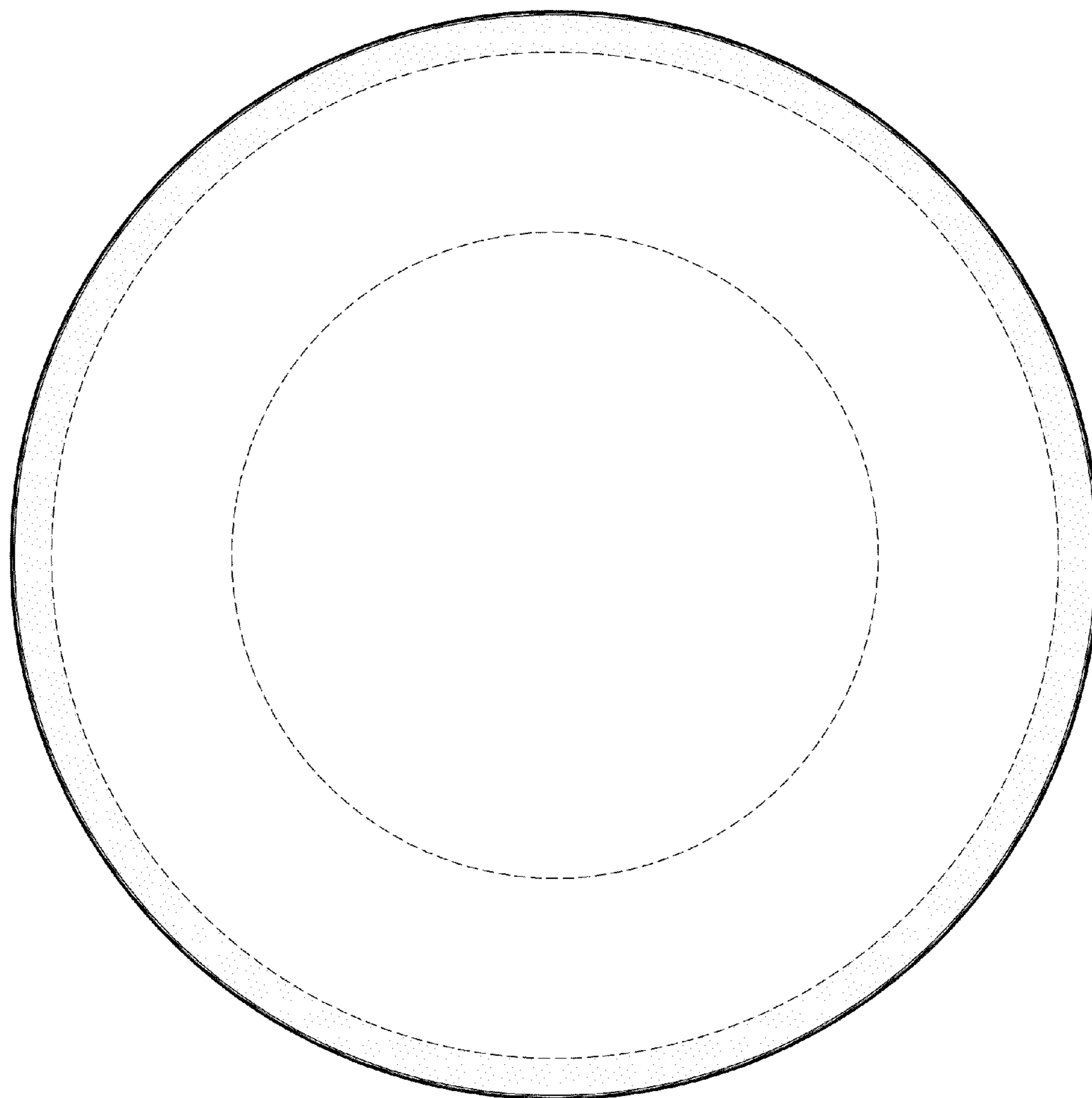


FIG-3

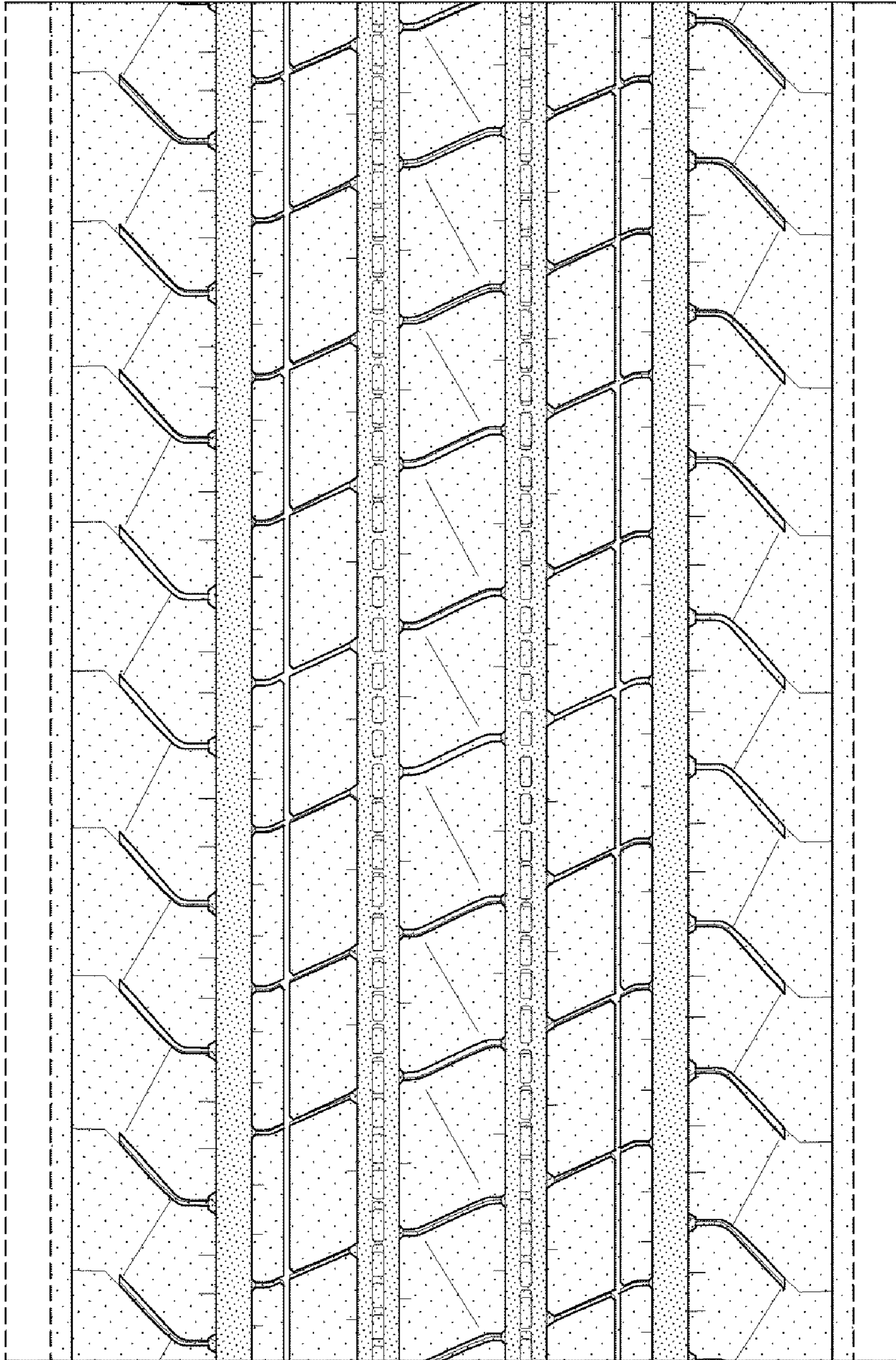


FIG-4

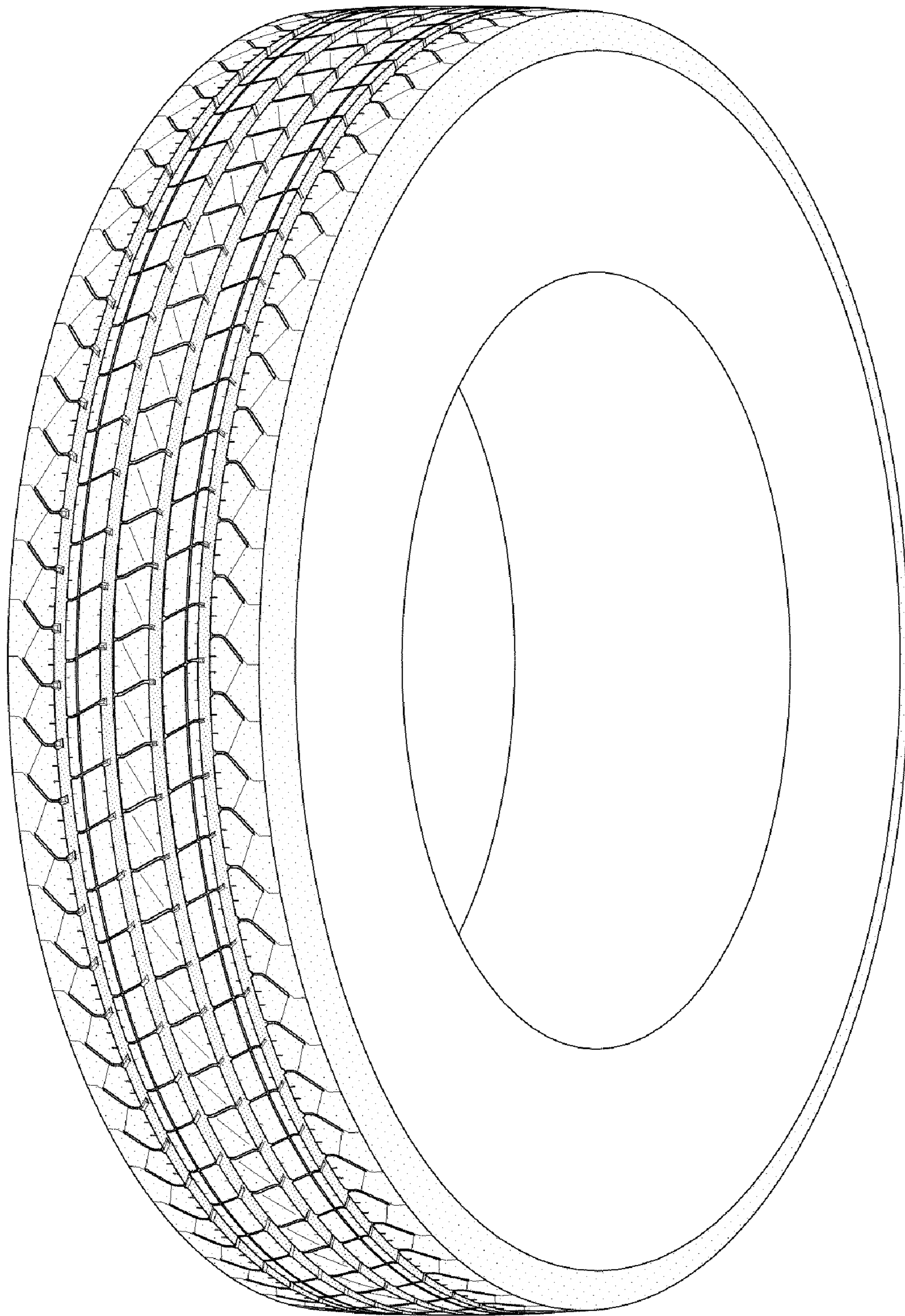


FIG-5

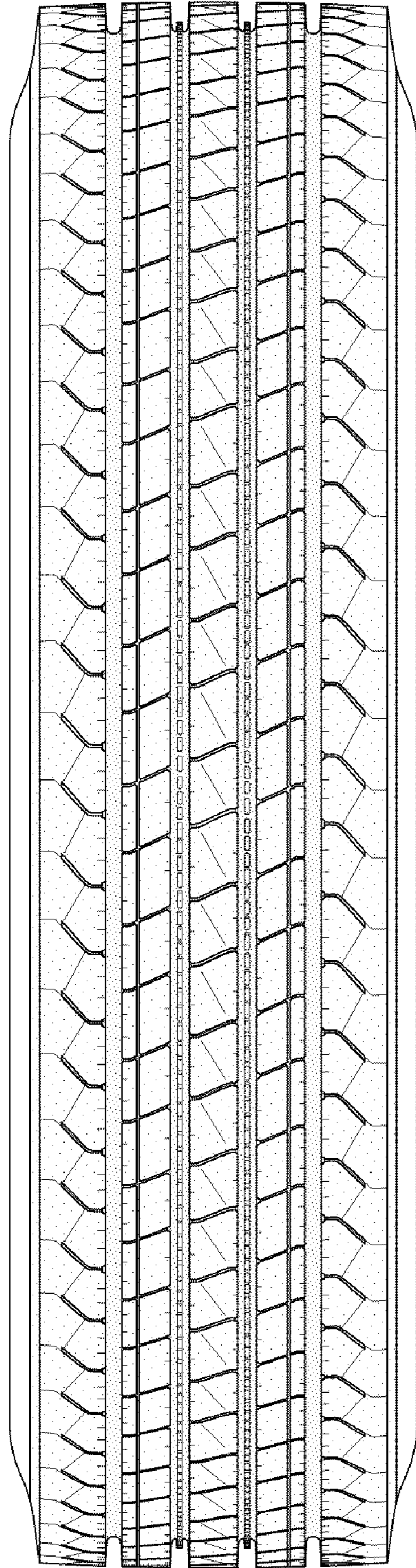


FIG-6