



US00D644593S

(12) **United States Design Patent**
Fontaine et al.

(10) **Patent No.:** **US D644,593 S**

(45) **Date of Patent:** **** Sep. 6, 2011**

(54) **TIRE**

(75) Inventors: **Sebastien Willy Fontaine**, Oberfeulen (LU); **Maurice Graas**, Reichlange (LU); **Jean-Francois Vandeclee**, Strassen (LU); **Michel Jean Yves Windeshausen**, Messancy (BE); **Pascal Patrick Steiner**, Diekirch (LU); **Thierry Botman**, Nommern (LU); **Stephane Jose Geelen**, Chaudfontaine (BE); **Percy Anthony Lemaire**, Arlon (BE); **Michel Pierre Charles Robert**, Sibret (BE)

(73) Assignee: **The Goodyear Tire & Rubber Company**, Akron, OH (US)

(**) Term: **14 Years**

(21) Appl. No.: **29/381,411**

(22) Filed: **Dec. 20, 2010**

(51) **LOC (9) Cl.** **12-15**

(52) **U.S. Cl.** **D12/523**

(58) **Field of Classification Search** D12/505-532, D12/900-901; 152/209.1-209.28, 455
See application file for complete search history.

(56) **References Cited**

U.S. PATENT DOCUMENTS

D432,956 S *	10/2000	Ricquet	D12/521
D447,097 S *	8/2001	Graas et al.	D12/523
D451,440 S	12/2001	Weber	D12/146
D451,441 S	12/2001	Weber	D12/146
D453,729 S	2/2002	Demagall et al.	D12/523
D515,018 S *	2/2006	Umstot et al.	D12/519
D531,116 S	10/2006	Heinen et al.	D12/590
D558,126 S	12/2007	Shavers et al.	D12/519
D558,127 S	12/2007	Shavers et al.	D12/519
D558,128 S *	12/2007	Delu et al.	D12/521
D559,767 S	1/2008	Graas et al.	D12/521
D583,302 S	12/2008	Shavers et al.	D12/518
D586,724 S *	2/2009	Seibert et al.	D12/519

D597,474 S *	8/2009	Yamakawa et al.	D12/519
D599,276 S *	9/2009	Fontaine et al.	D12/519
D601,939 S	10/2009	Fontaine et al.	D12/519
D602,846 S *	10/2009	Park et al.	D12/519
D606,002 S *	12/2009	Yamakawa et al.	D12/523
D609,161 S	2/2010	Fontaine et al.	D12/517
D612,321 S *	3/2010	Bott et al.	D12/523
D624,871 S *	10/2010	Behr	D12/519
D626,910 S *	11/2010	Bott et al.	D12/523
D630,998 S *	1/2011	Schmalix et al.	D12/519
D634,261 S *	3/2011	Schmalix et al.	D12/519
D634,699 S *	3/2011	Fontaine et al.	D12/517

* cited by examiner

Primary Examiner — Stacia Cadmus

(74) *Attorney, Agent, or Firm* — Richard B. O'Planick

(57) **CLAIM**

The ornamental design for a tire, as shown and described.

DESCRIPTION

FIG. 1 is a perspective view of a tire showing our new design, it being understood that the pattern repeats uniformly throughout the circumference of the tread;

FIG. 2 is a front elevational view thereof;

FIG. 3 is a right side elevational view thereof;

FIG. 4 is a left side elevational view thereof;

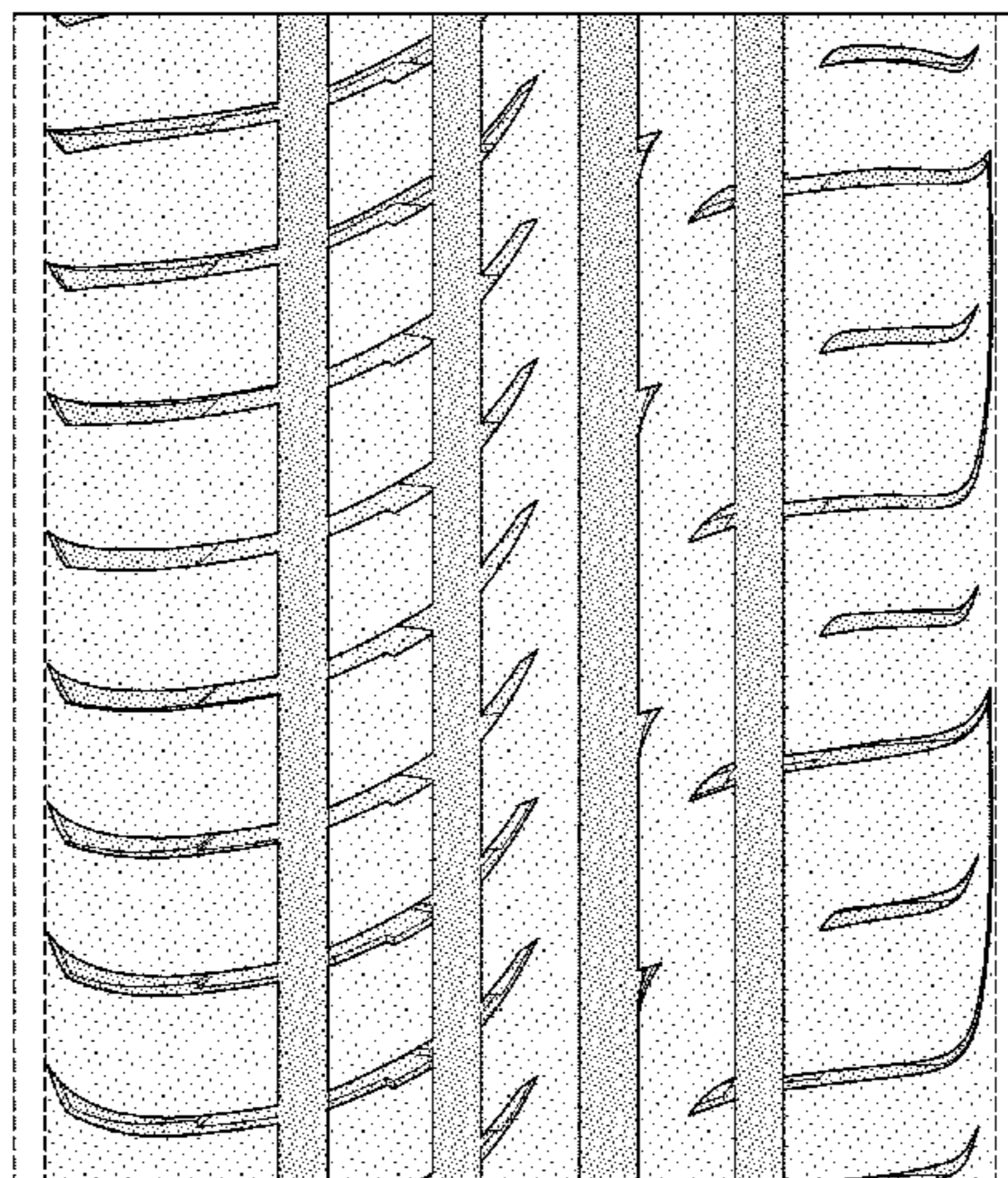
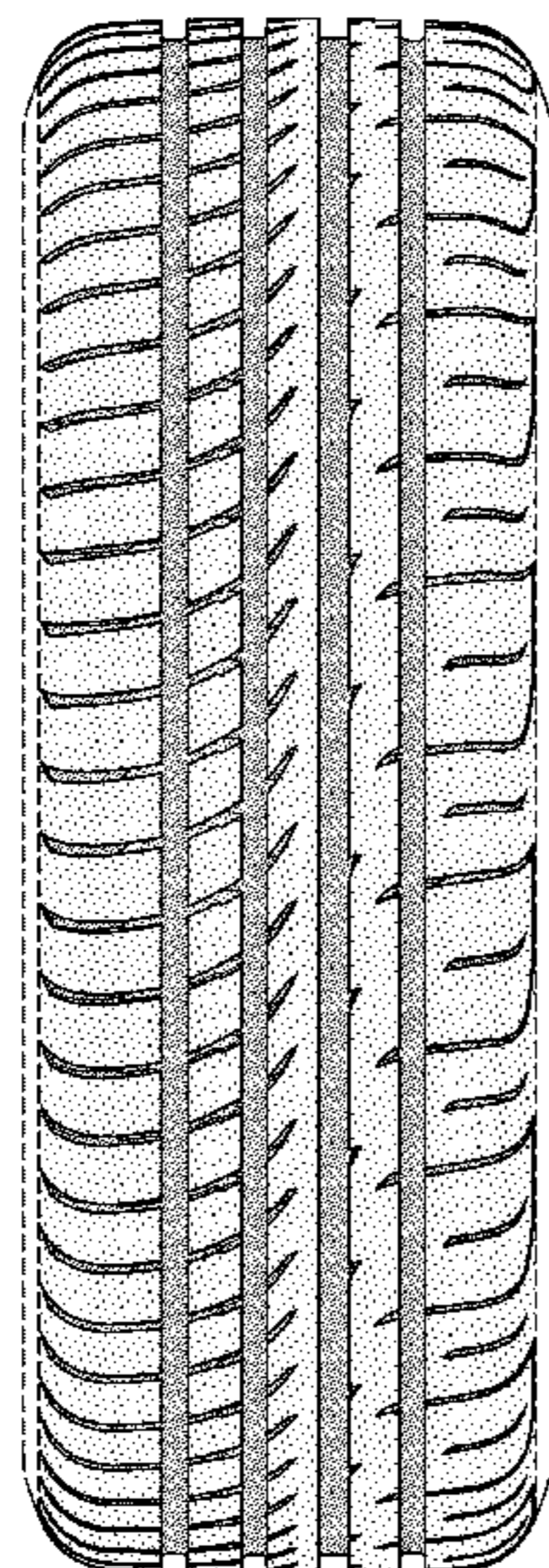
FIG. 5 is an enlarged fragmentary front elevational view thereof;

FIG. 6 is a perspective view of a second embodiment of a tire showing our new design, it being understood that the pattern repeats uniformly throughout the circumference of the tread; and,

FIG. 7 is a front elevational view of a second embodiment, it being understood that an enlarged fragmentary view thereof would be substantially identical to that shown in FIG. 5, with the exception of the inclusion of the sidewall in solid lines.

In the drawings, the broken lines showing of the sidewall, inner bead and the peripheral boundary between the tire tread and the sidewall in FIGS. 1 through 4 depict environmental subject matter and form no part of the claimed design.

1 Claim, 7 Drawing Sheets



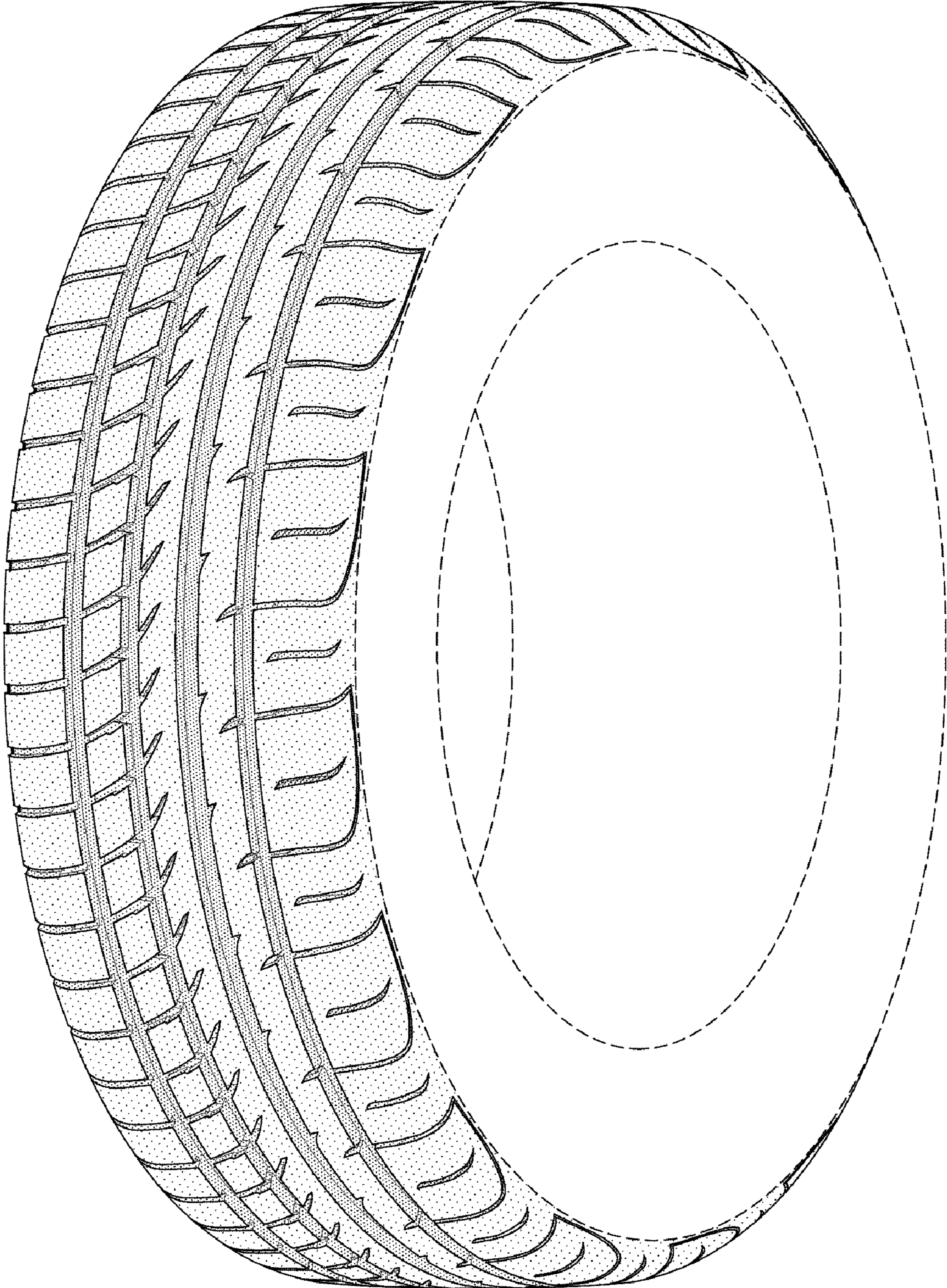


FIG-1

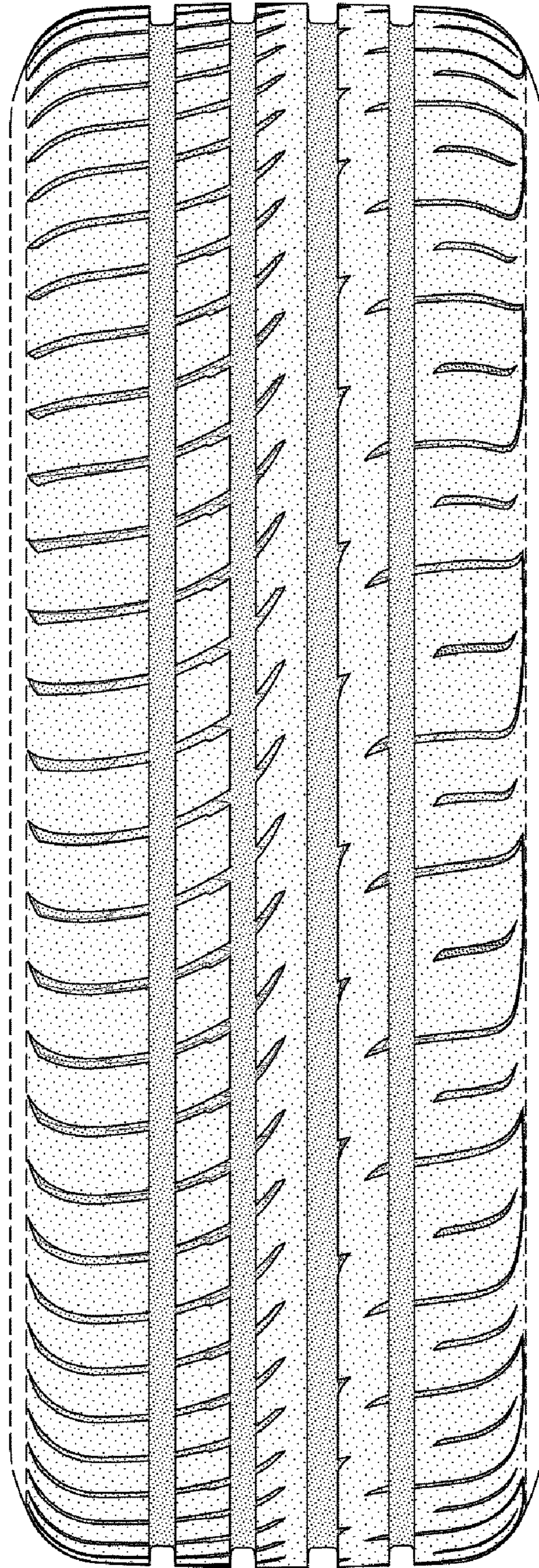


FIG-2

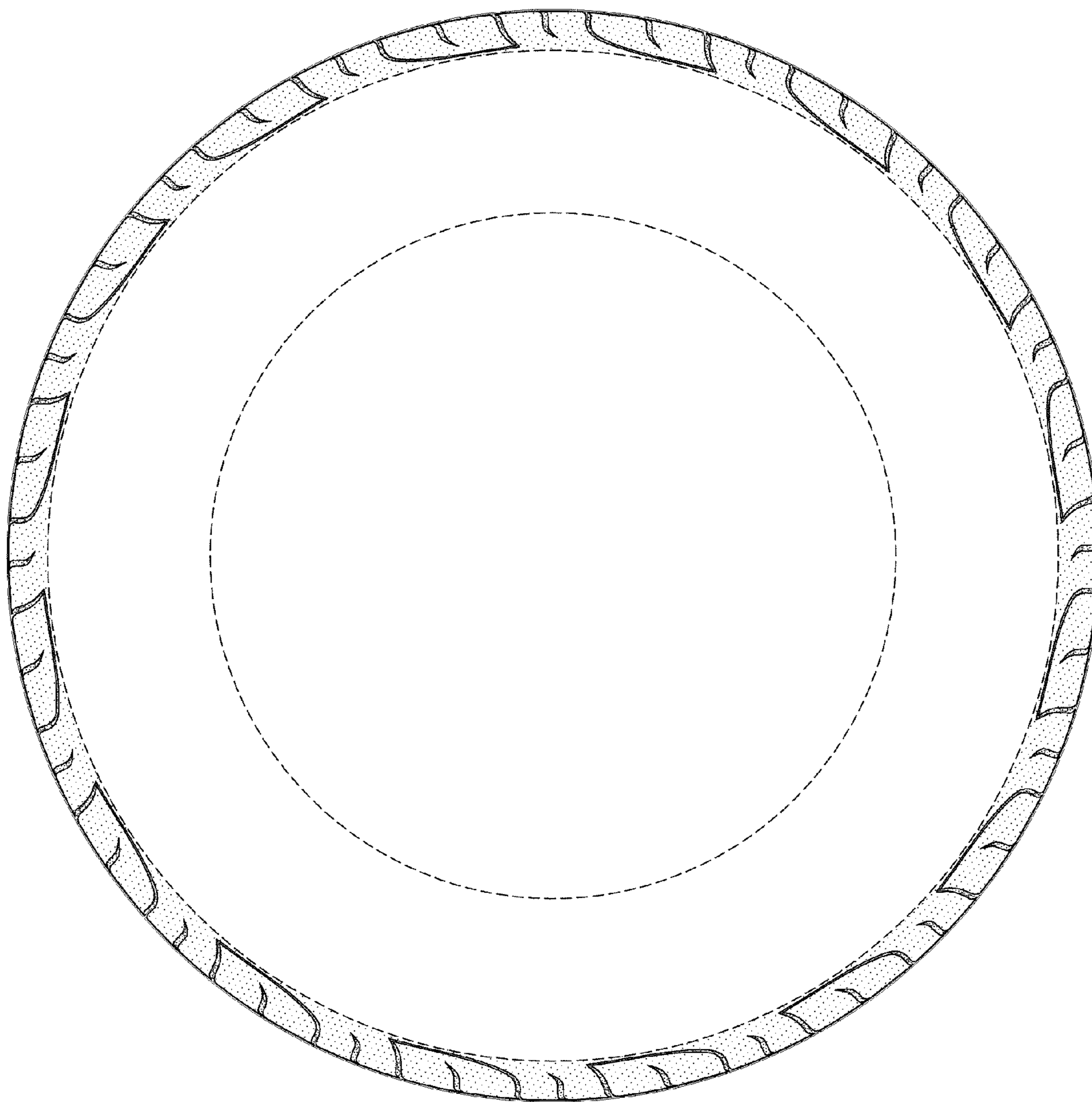


FIG-3

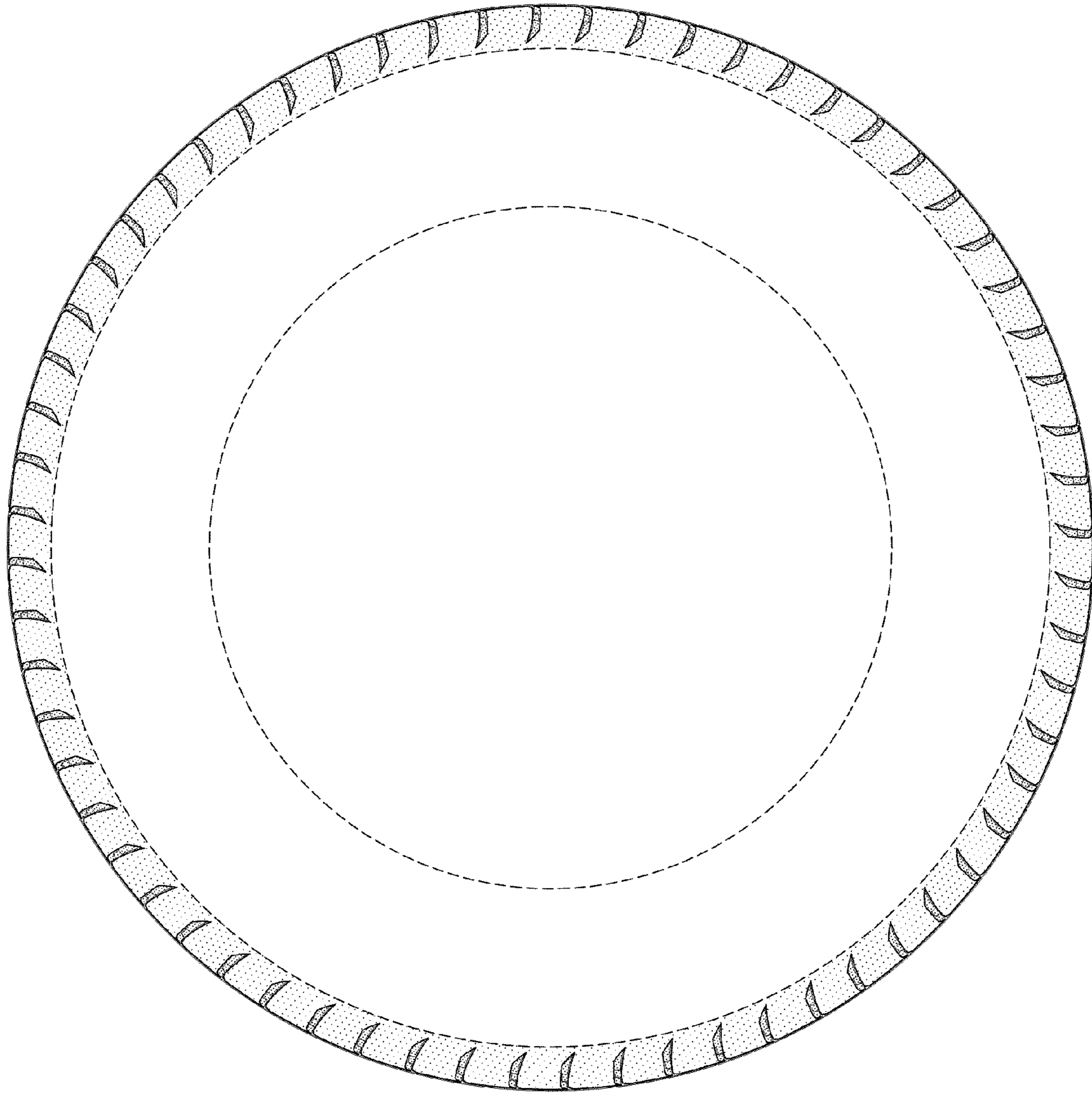


FIG-4

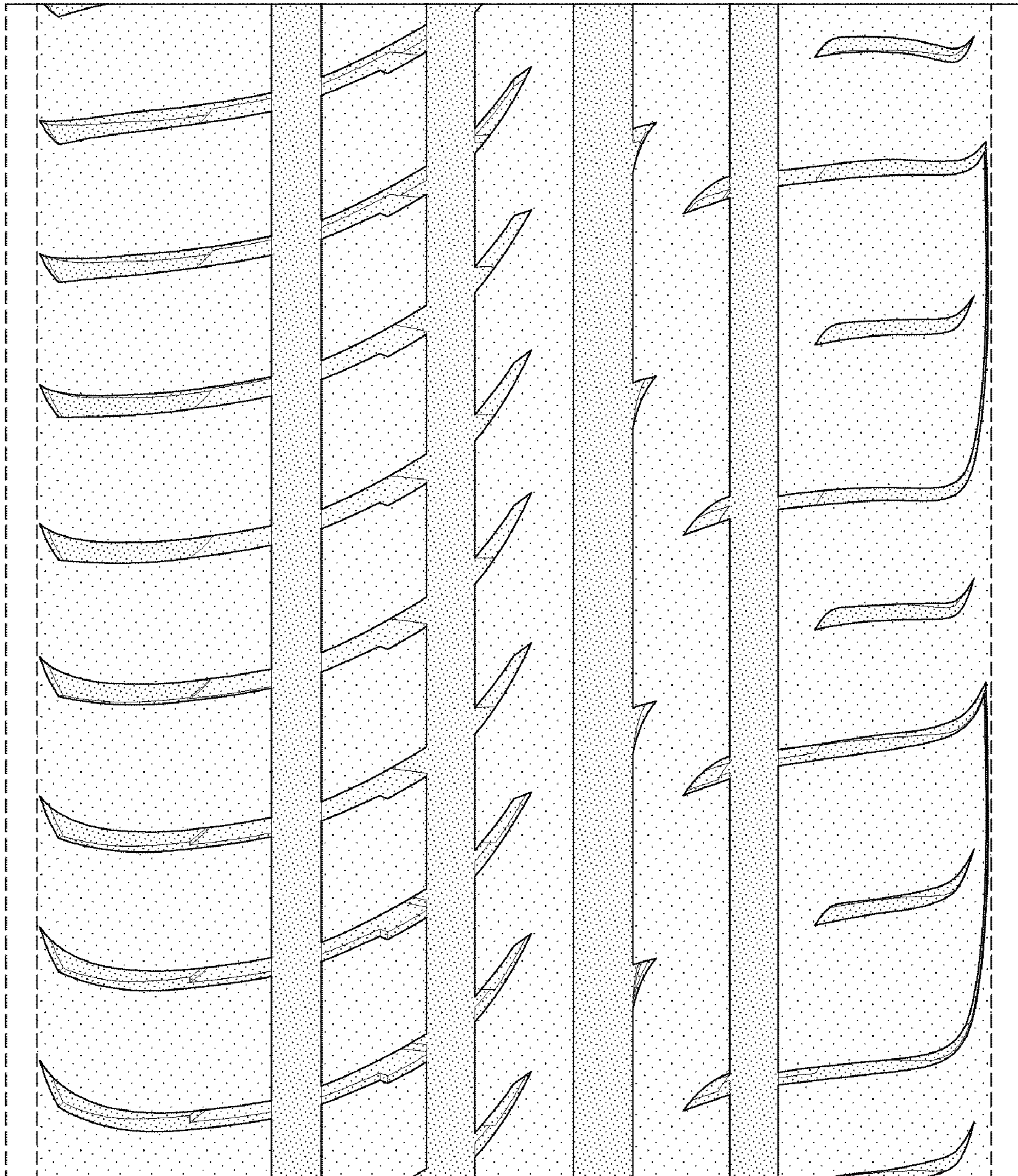


FIG-5

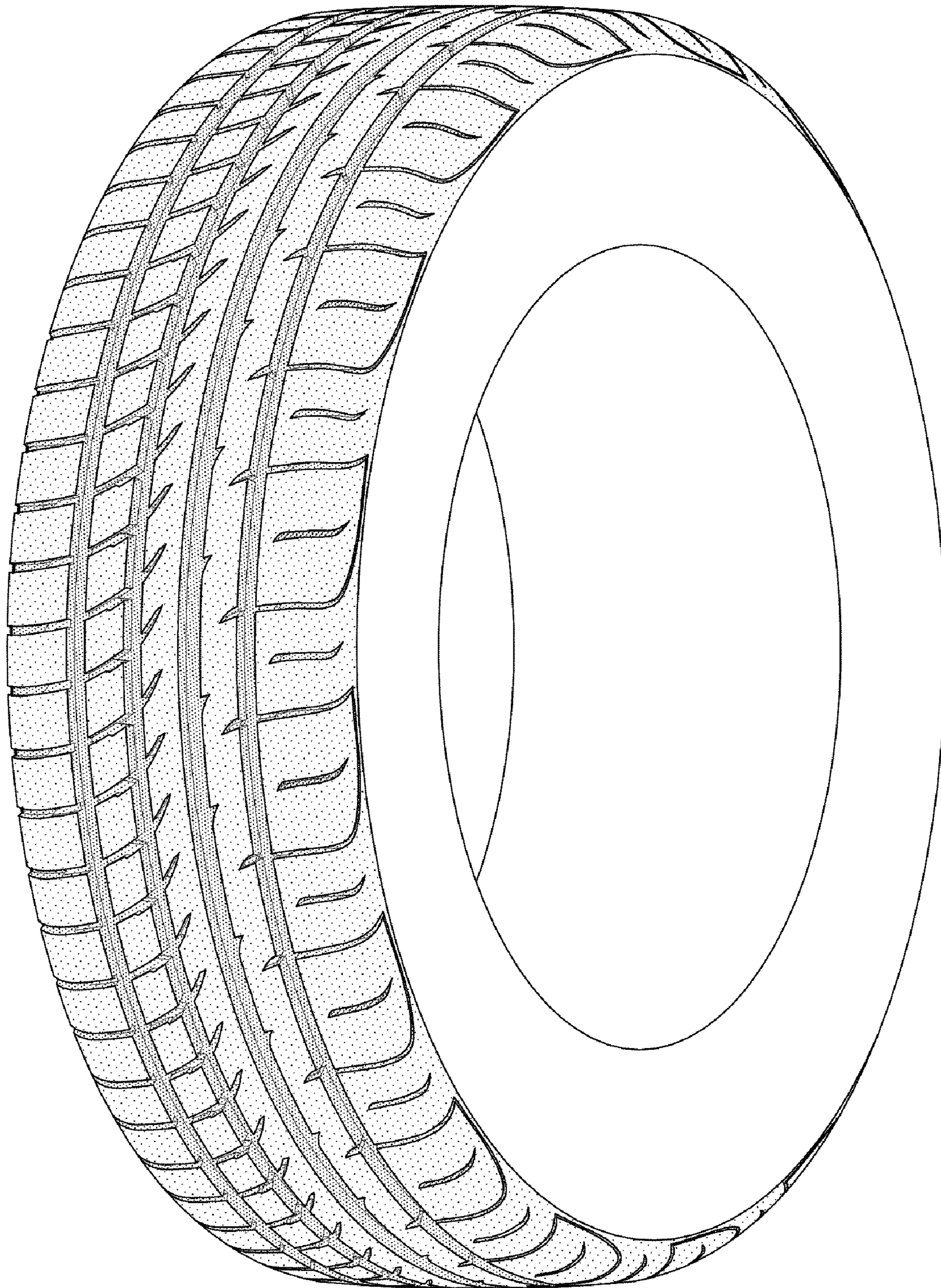


FIG-6

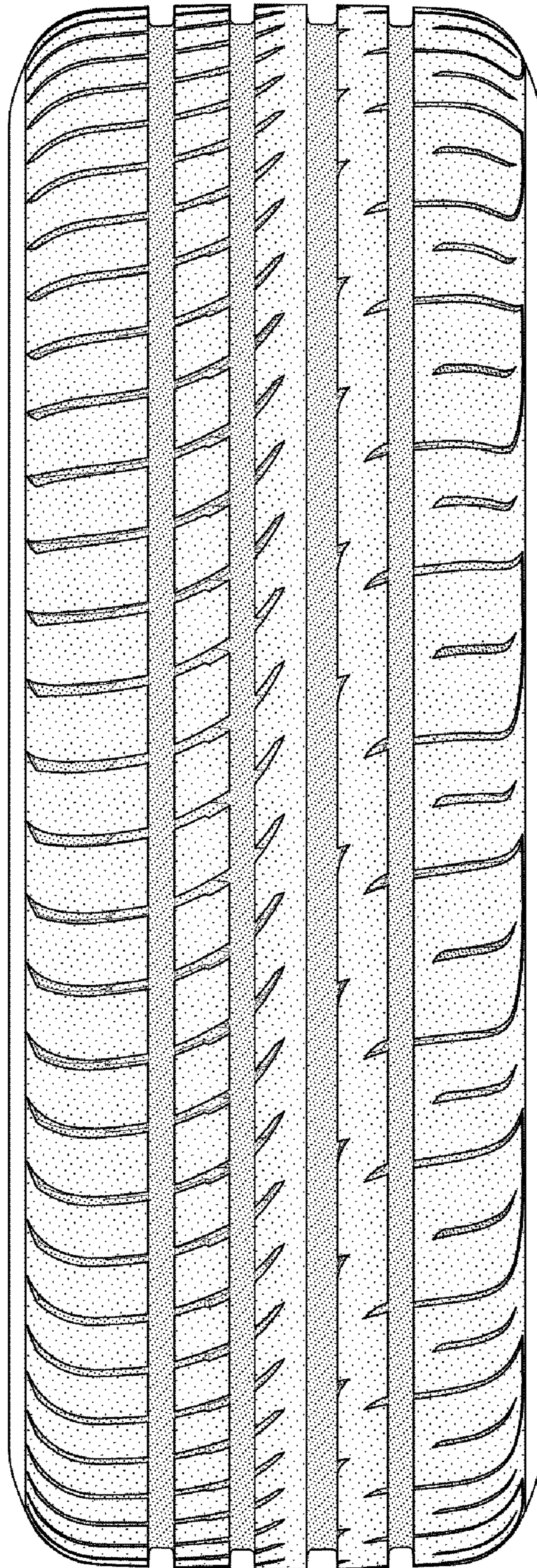


FIG-7