



US00D644592S

(12) **United States Design Patent**
Grabo et al.

(10) **Patent No.:** **US D644,592 S**

(45) **Date of Patent:** **** Sep. 6, 2011**

(54) **TIRE**

(75) Inventors: **Keith Eric Grabo**, Brecksville, OH (US); **Jonathan James Shondel**, Massillon, OH (US)

(73) Assignee: **The Goodyear Tire & Rubber Company**, Akron, OH (US)

(**) Term: **14 Years**

(21) Appl. No.: **29/381,691**

(22) Filed: **Dec. 22, 2010**

(51) **LOC (9) Cl.** **12-15**

(52) **U.S. Cl.** **D12/519**

(58) **Field of Classification Search** D12/505-532, D12/900-901; 152/209.1-209.28, 455
See application file for complete search history.

(56) **References Cited**

U.S. PATENT DOCUMENTS

D308,659 S	6/1990	Brayer	D12/146	
D338,180 S	8/1993	Consolacion et al.	D12/147	
D364,370 S	11/1995	Weimer et al.	D12/147	
D379,340 S	5/1997	Consolacion et al.	D12/147	
D382,521 S	8/1997	Consolacion et al.	D12/147	
D400,832 S	11/1998	Dixon et al.	D12/147	
D407,678 S	4/1999	Dixon et al.	D12/147	
D415,982 S	11/1999	Consolacion et al.	D12/147	
D418,785 S	1/2000	Lovell et al.	D12/147	
D451,453 S	12/2001	Maxwell et al.	D12/147	
D453,919 S	2/2002	Mast et al.	D12/528	
D469,396 S	1/2003	Hutson et al.	D12/520	
D470,443 S	2/2003	Slingluff et al.	D12/147	
D559,767 S	1/2008	Graas et al.	D12/521	
D560,595 S	1/2008	Bindner et al.	D12/521	
D586,724 S	2/2009	Seibert et al.	D12/519	
D597,474 S	*	8/2009	Yamakawa et al.	D12/519
D599,728 S	*	9/2009	Froger et al.	D12/521

D601,939 S	*	10/2009	Fontaine et al.	D12/519
D602,847 S	*	10/2009	Lee et al.	D12/519
D606,002 S	*	12/2009	Yamakawa et al.	D12/519
D609,161 S		2/2010	Fontaine et al.	D12/517
D622,655 S	*	8/2010	Ohashi	D12/519
D622,656 S	*	8/2010	Ohashi	D12/519

* cited by examiner

Primary Examiner — Stacia Cadmus

(74) *Attorney, Agent, or Firm* — Richard B. O'Planick

(57) **CLAIM**

The ornamental design for a tire, as shown and described.

DESCRIPTION

FIG. 1 is a perspective view of a tire showing our new design, it being understood that the pattern repeats uniformly throughout the circumference of the tread;

FIG. 2 is a front elevational view thereof;

FIG. 3 is a right side elevational view thereof;

FIG. 4 is a left side elevational view thereof;

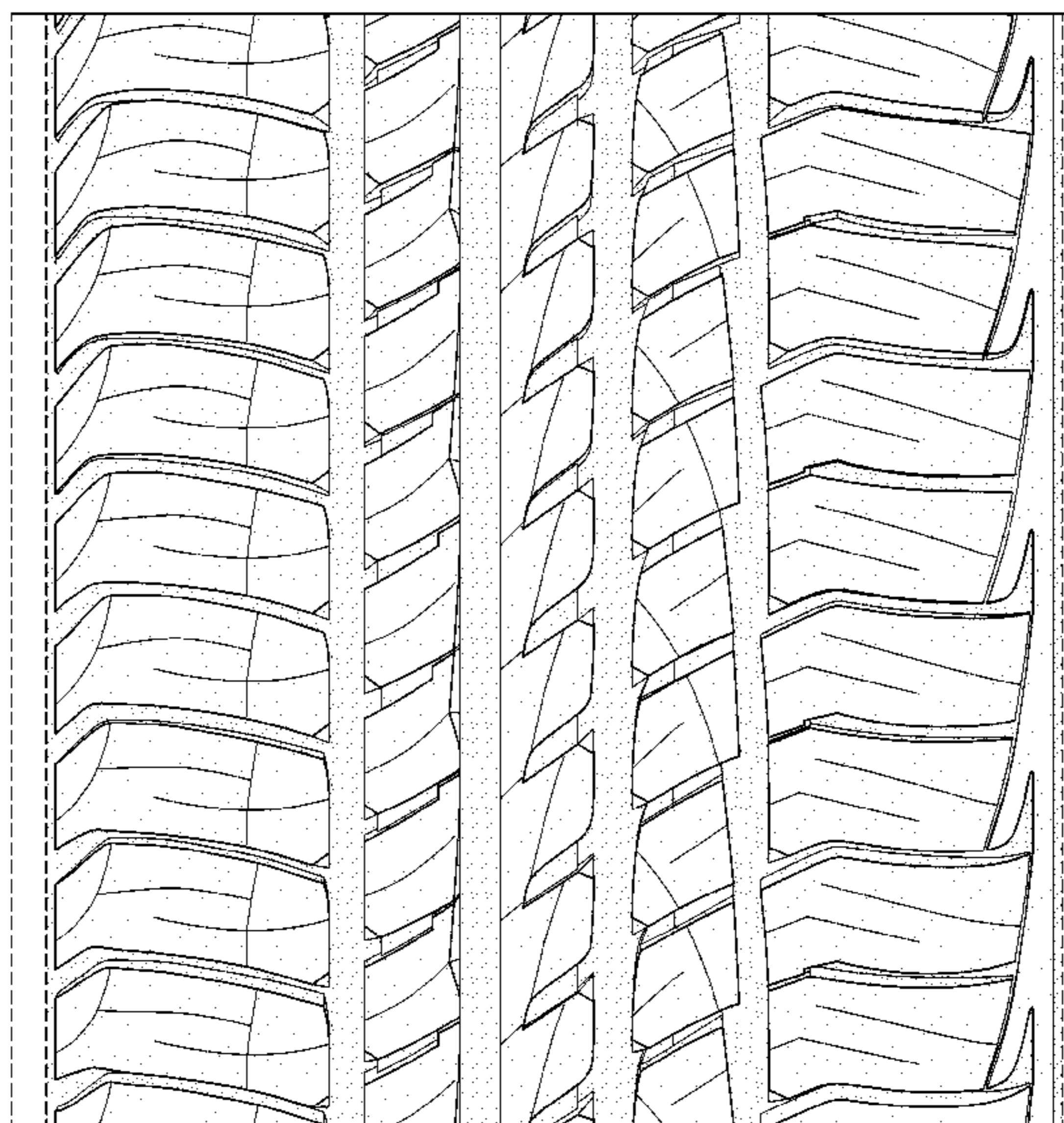
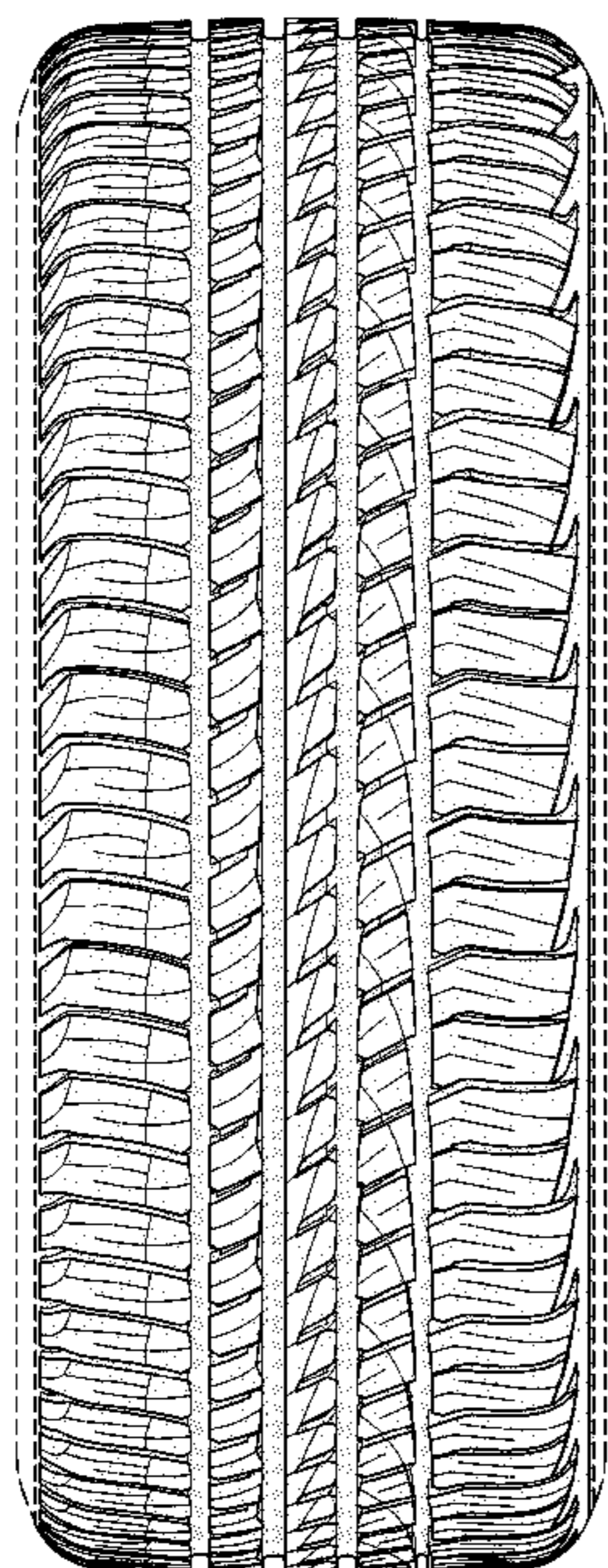
FIG. 5 is an enlarged fragmentary front elevational view thereof;

FIG. 6 is a perspective view of a second embodiment of a tire showing our new design, it being understood that the pattern repeats uniformly throughout the circumference of the tread; and,

FIG. 7 is a front elevational view of a second embodiment, it being understood that an enlarged fragmentary view thereof would be substantially identical to that shown in FIG. 5, with the exception of the inclusion of the sidewall in solid lines.

In the drawings, the broken lines showing of the sidewall, inner bead and the peripheral boundary between the tire tread and the sidewall in FIGS. 1 through 5 depict environmental subject matter and form no part of the claimed design.

1 Claim, 7 Drawing Sheets



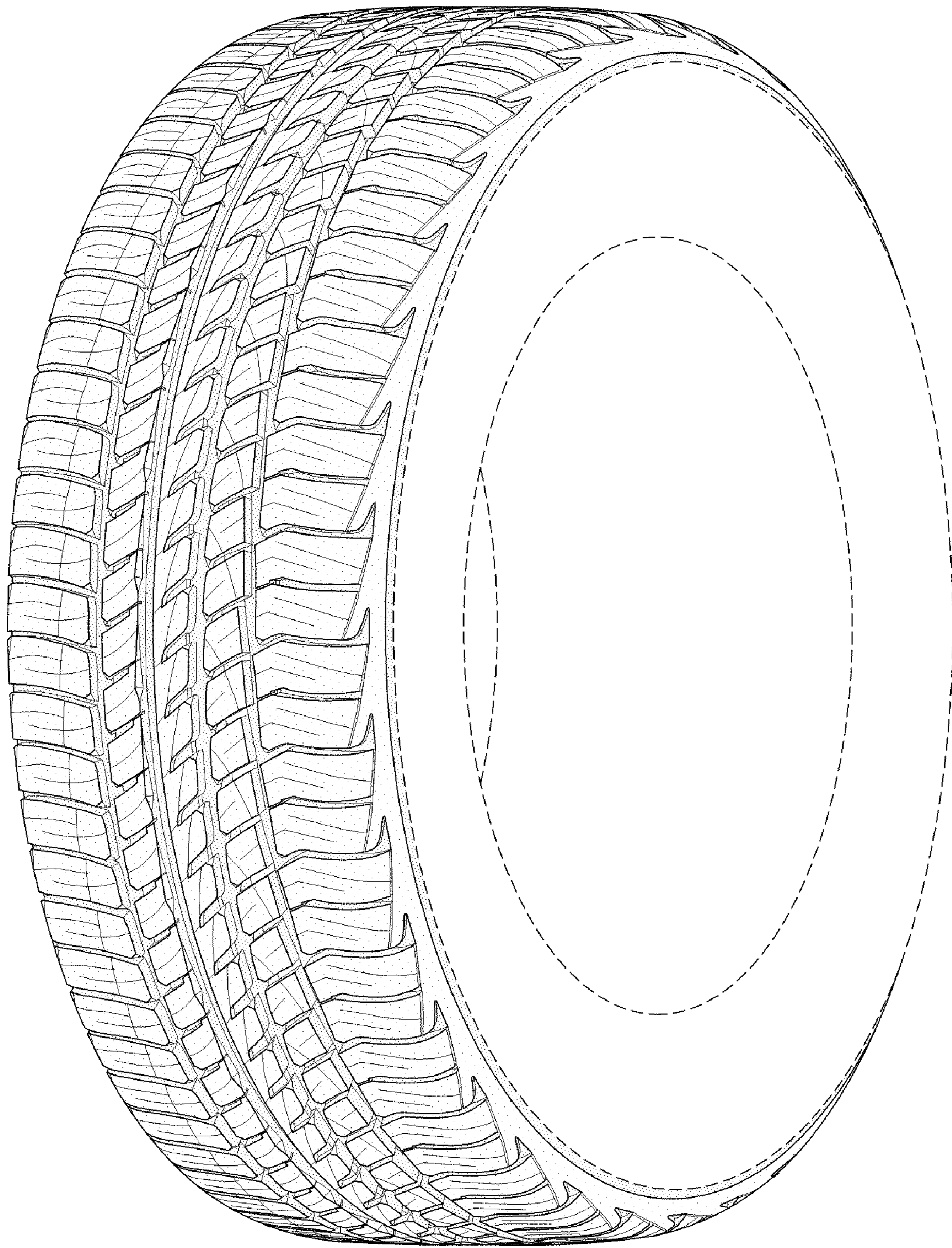


FIG-1

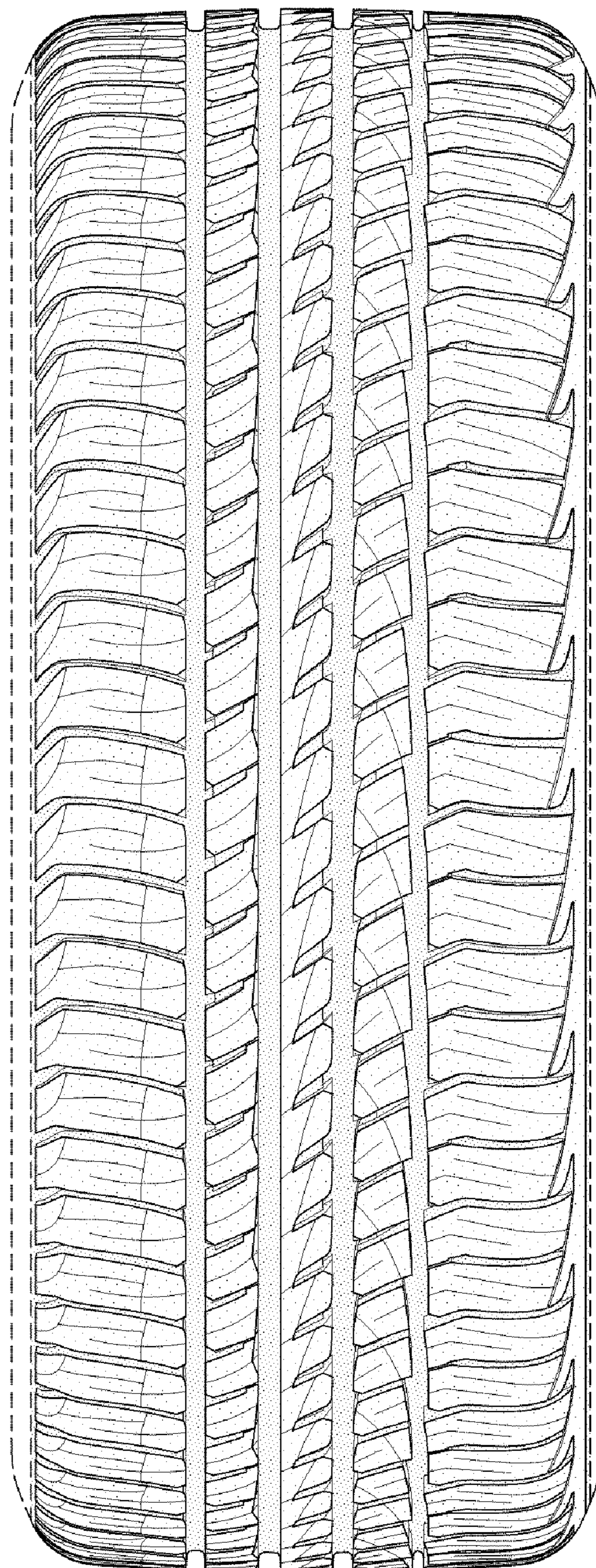


FIG-2

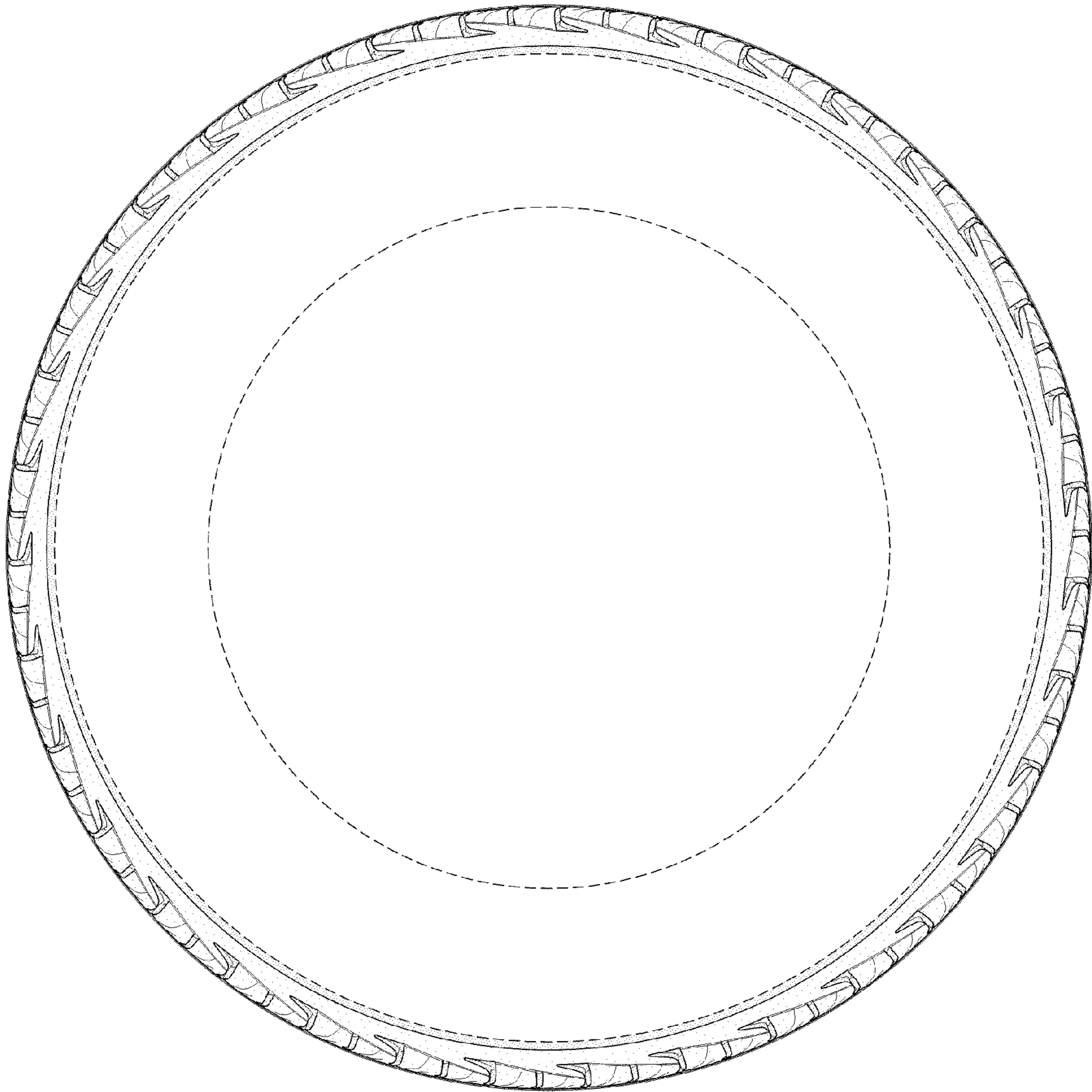


FIG-3

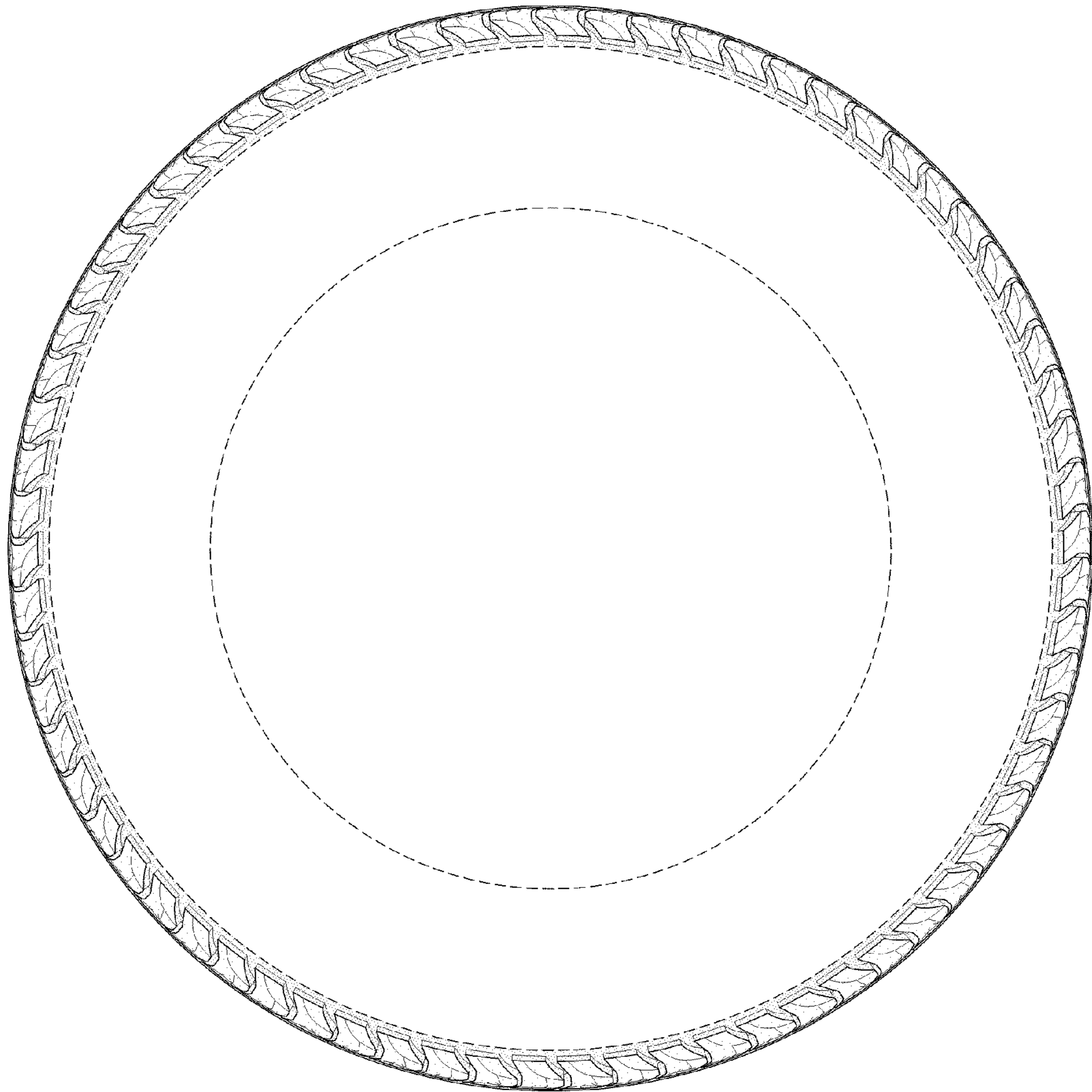


FIG-4

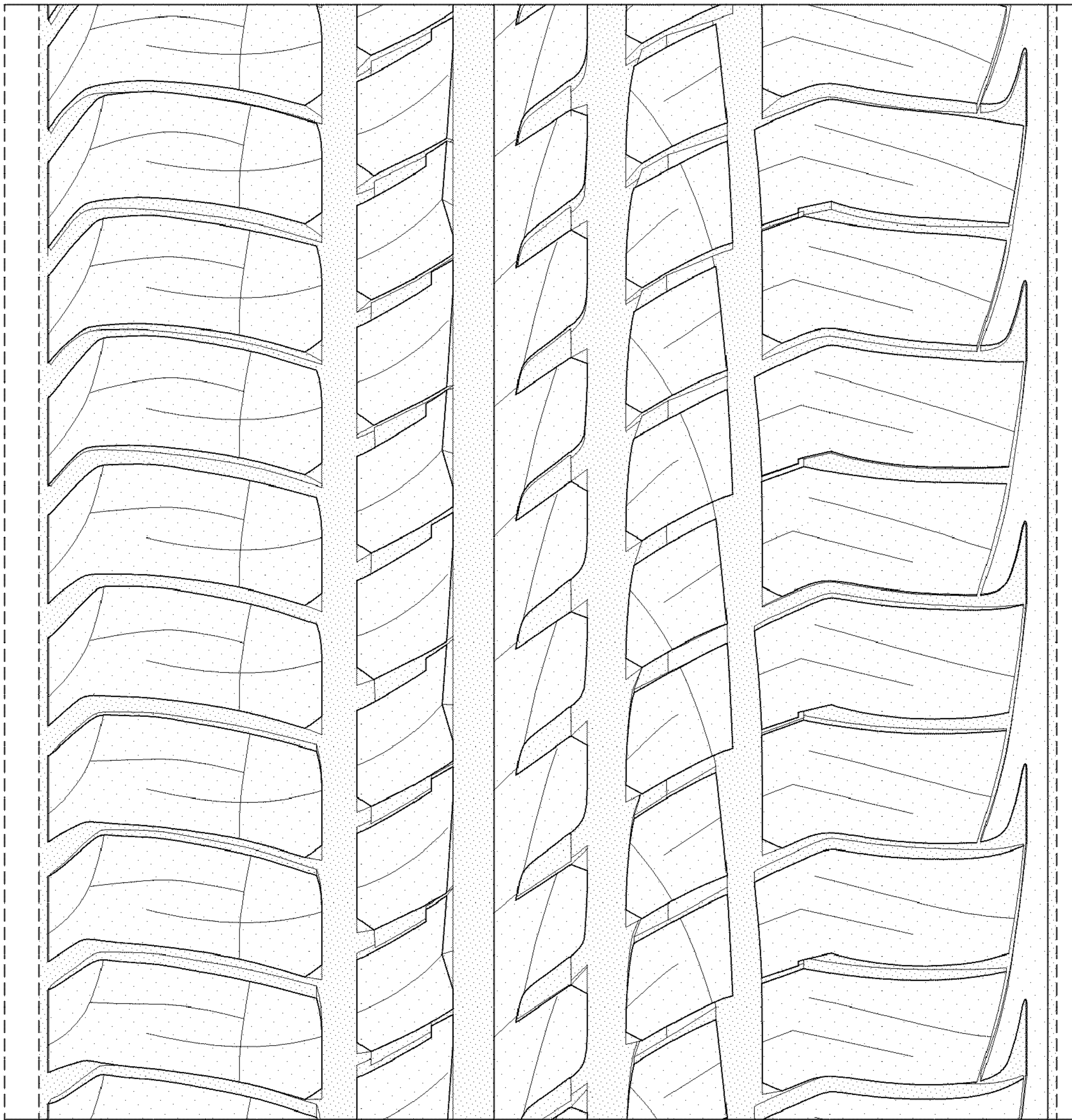


FIG-5

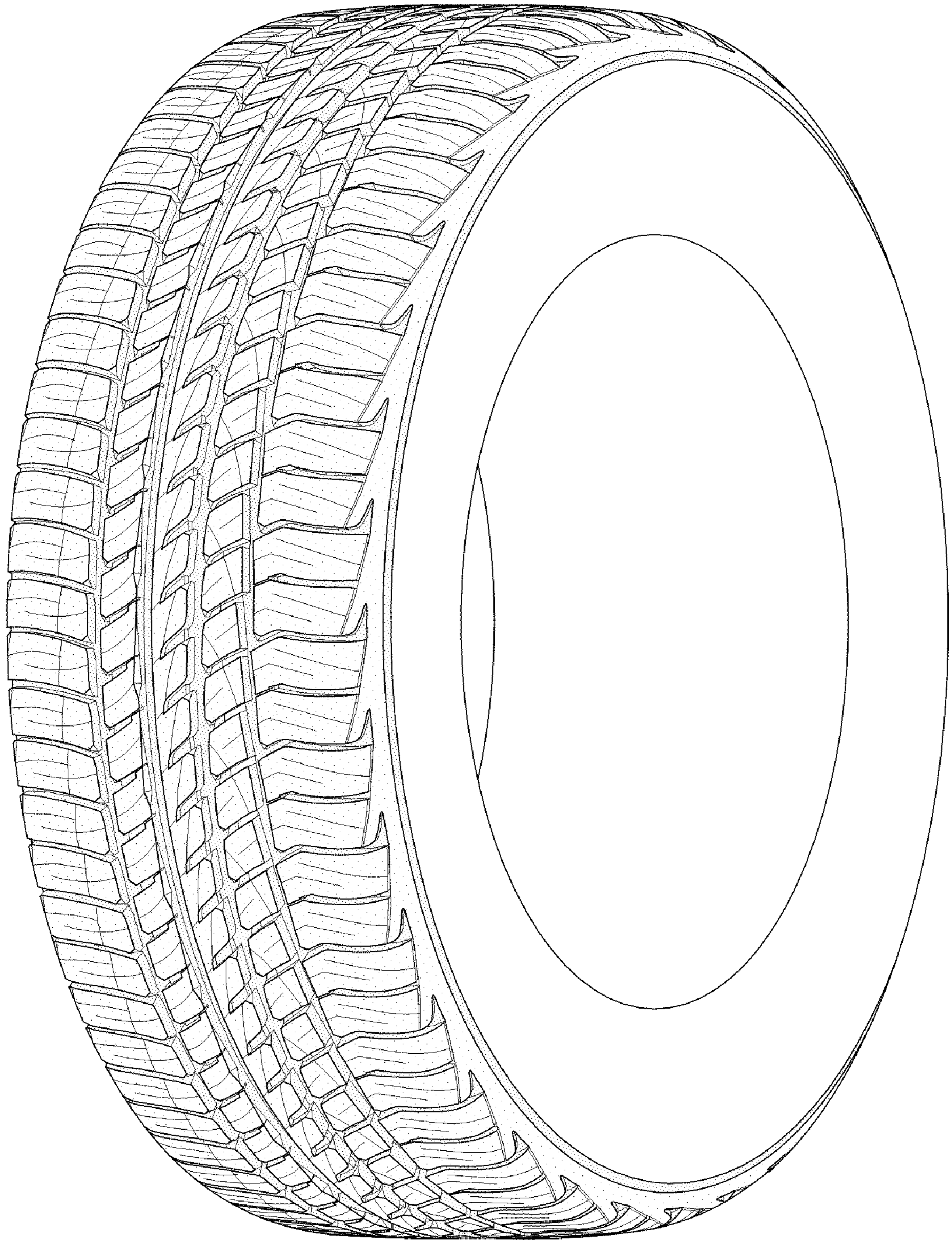


FIG-6

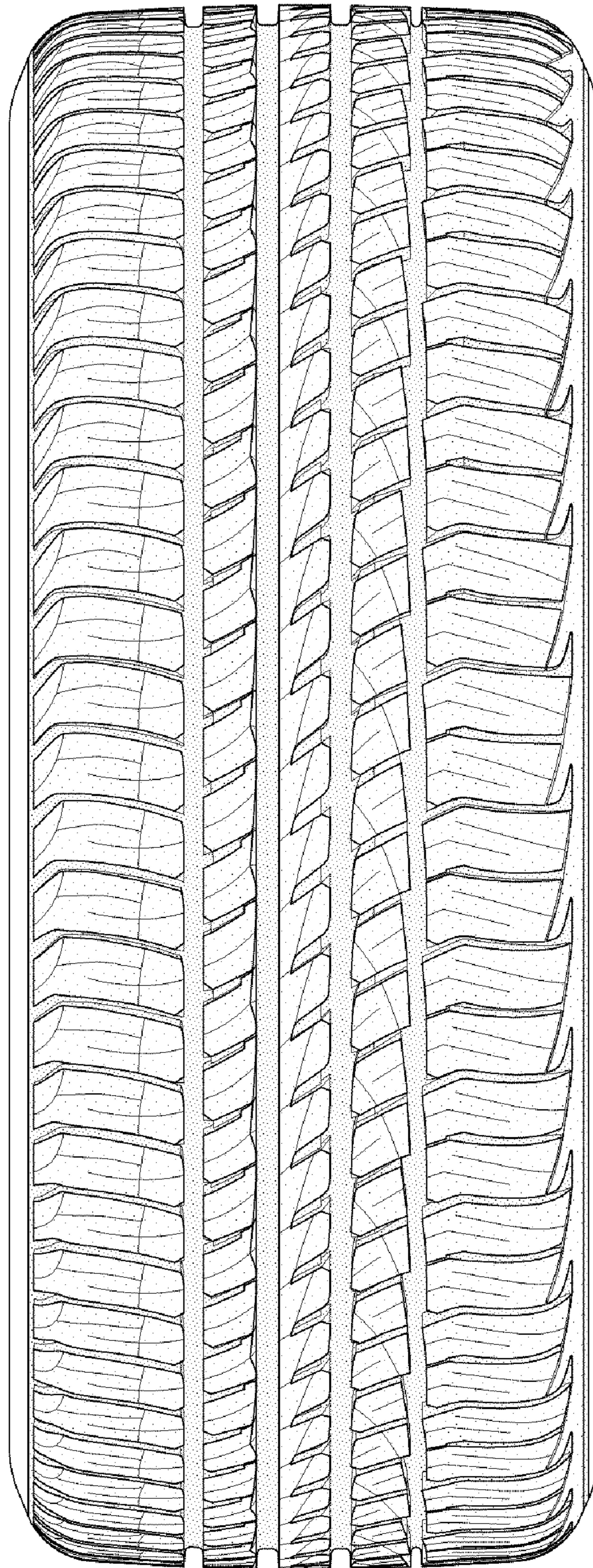


FIG-7