

US00D644589S

(12) **United States Design Patent**
Fisker et al.

(10) **Patent No.:** **US D644,589 S**
(45) **Date of Patent:** **** Sep. 6, 2011**

(54) **AUTOMOTIVE WHEEL**

(75) Inventors: **Henrik Fisker**, Newport Beach, CA (US); **Mark Clarke**, Newport Beach, CA (US); **Nikola Stefanov**, San Clemente, CA (US); **Andrew Leahy**, Laguna Niguel, CA (US); **Timothy Huntzinger**, Pasadena, CA (US)

(73) Assignee: **Fisker Automotive, Inc.**, Irvine, CA (US)

(**) Term: **14 Years**

(21) Appl. No.: **29/383,996**

(22) Filed: **Jan. 25, 2011**

Related U.S. Application Data

(62) Division of application No. 29/330,613, filed on Jan. 9, 2009, now Pat. No. Des. 631,795.

(51) **LOC (9) Cl.** **12-16**

(52) **U.S. Cl.** **D12/211**

(58) **Field of Classification Search** D12/204–213;
301/37.101, 64.101, 65, 64.201
See application file for complete search history.

(56) **References Cited**

U.S. PATENT DOCUMENTS

D389,438 S 1/1998 Guichard
D481,345 S * 10/2003 O’Connell D12/211

D523,778 S	6/2006	Saridakis	
D539,703 S	4/2007	Woodhouse	
D553,053 S	10/2007	McChesney	
D555,042 S	11/2007	Davidson	
D563,277 S	3/2008	Thomas	
D569,322 S	* 5/2008	Scheu	D12/211
D570,274 S	* 6/2008	Scheu	D12/211
D574,311 S	* 8/2008	Chung	D12/209
D581,852 S	* 12/2008	Scheu	D12/211
D588,517 S	* 3/2009	Aroney	D12/211
D590,322 S	* 4/2009	Rak	D12/211
D591,662 S	* 5/2009	Imai	D12/211
D594,804 S	* 6/2009	Laengerer	D12/211
D614,114 S	* 4/2010	Kim	D12/211
D620,869 S	* 8/2010	Groom	D12/211

* cited by examiner

Primary Examiner — Stacia Cadmus

(74) *Attorney, Agent, or Firm* — Foley & Lardner LLP

(57) **CLAIM**

The ornamental design for an automotive wheel, as shown and described.

DESCRIPTION

FIG. 1 is a perspective view of an automotive wheel shown on a vehicle in broken lines;

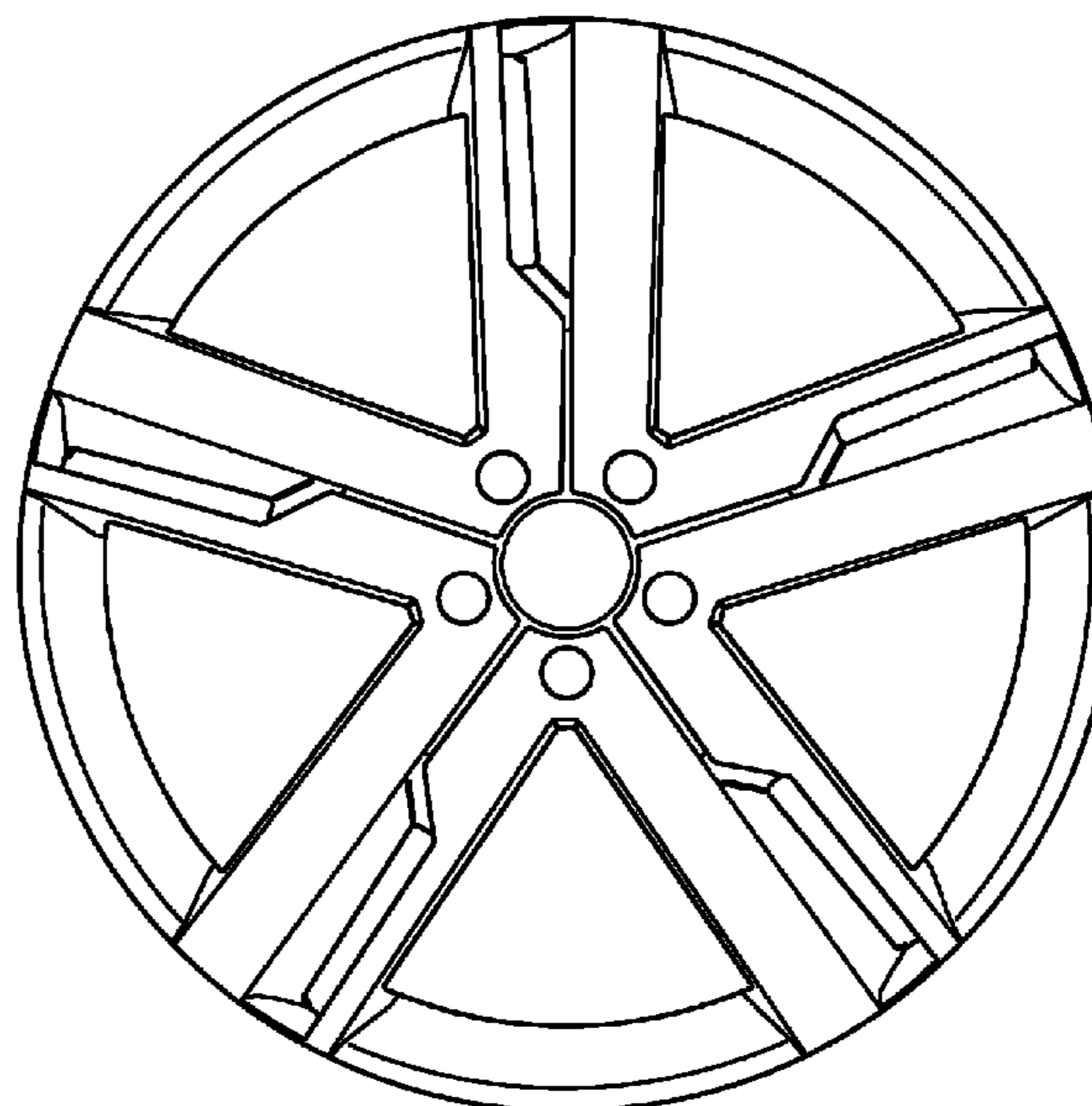
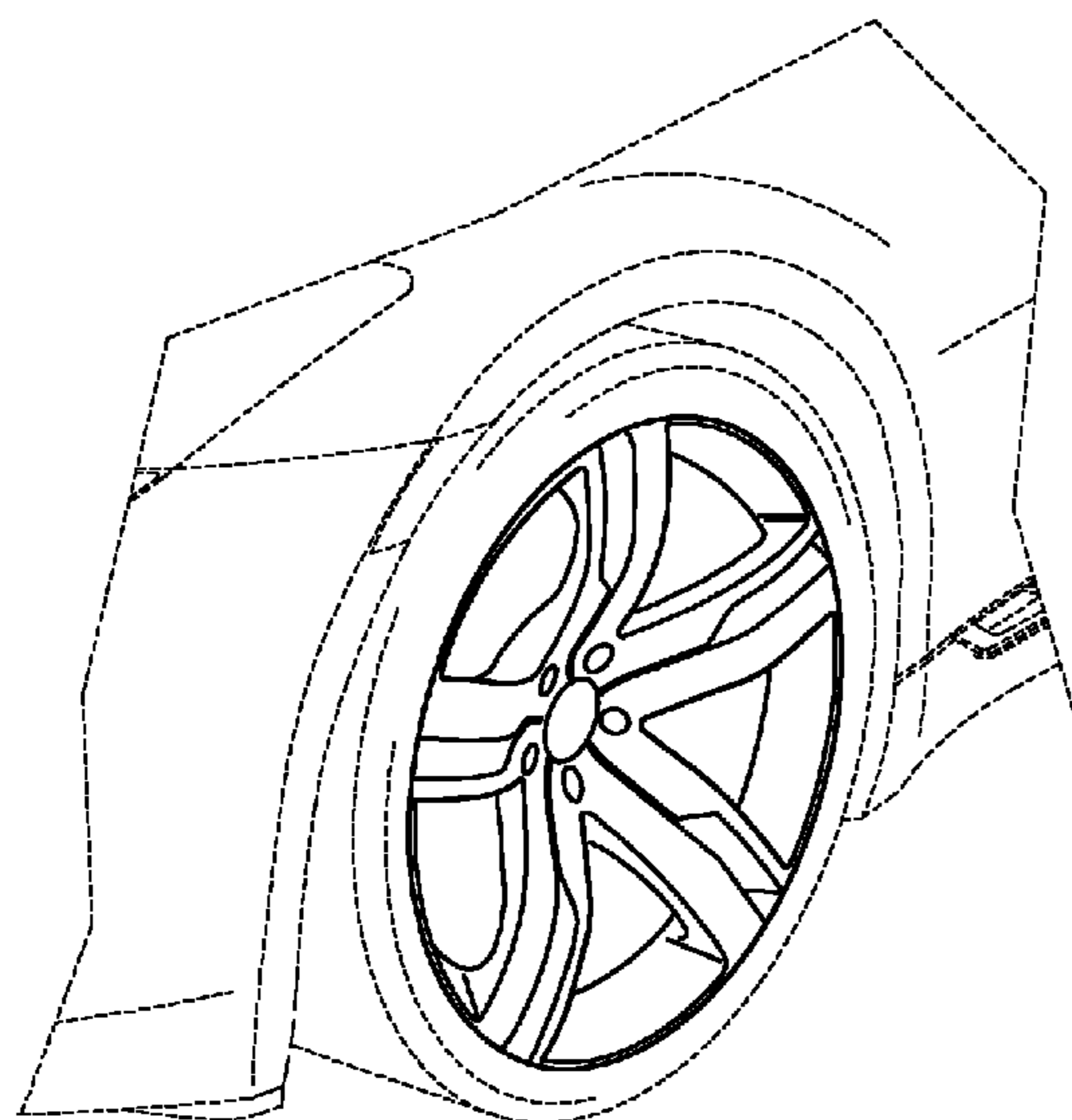
FIG. 2 is a front perspective view;

FIG. 3 is a front elevational view; and,

FIG. 4 is another front elevational view thereof.

The vehicle shown in broken lines is for illustrative purposes only and forms no part of the claimed design.

1 Claim, 4 Drawing Sheets



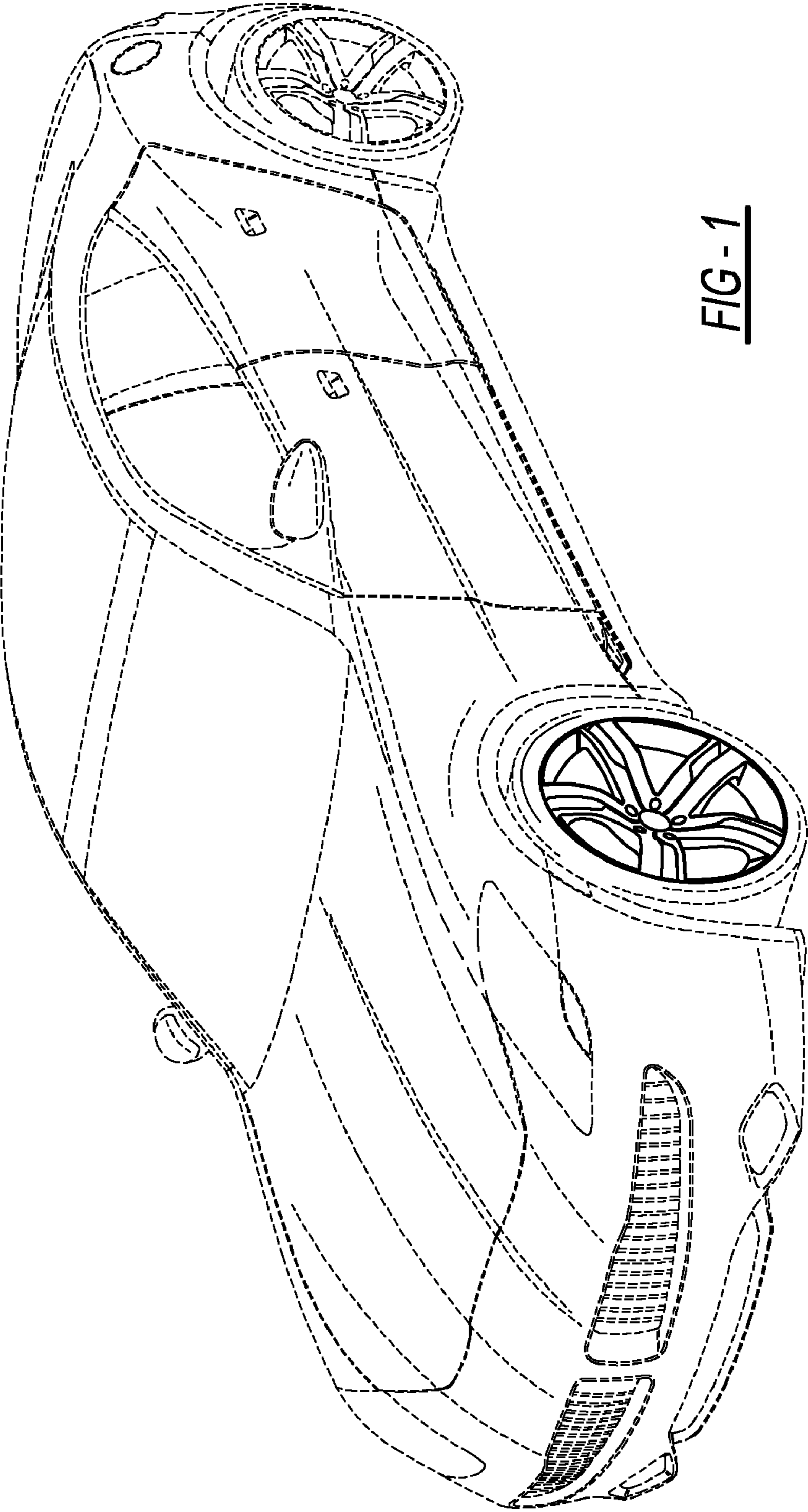


FIG-1

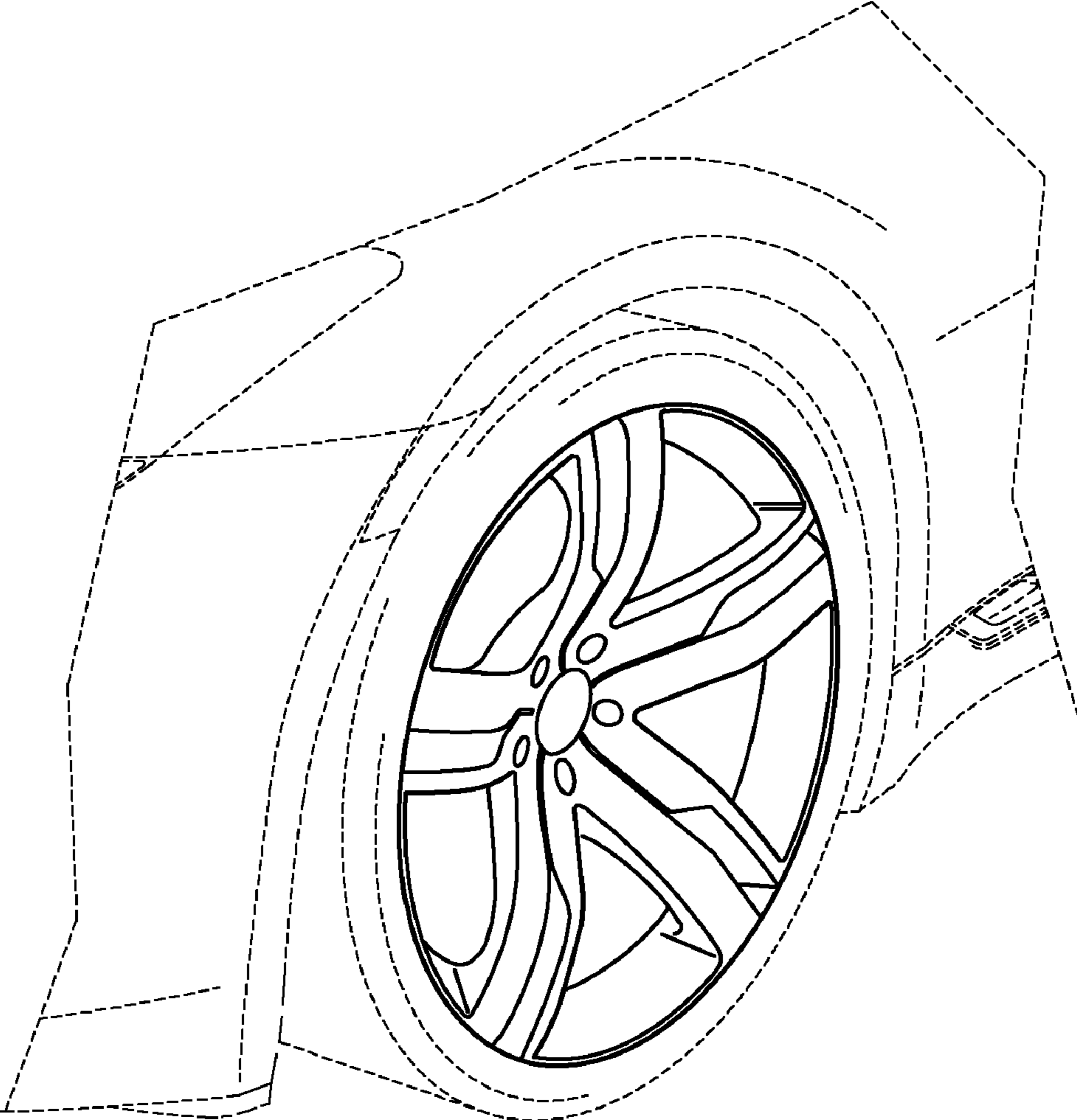


FIG - 2

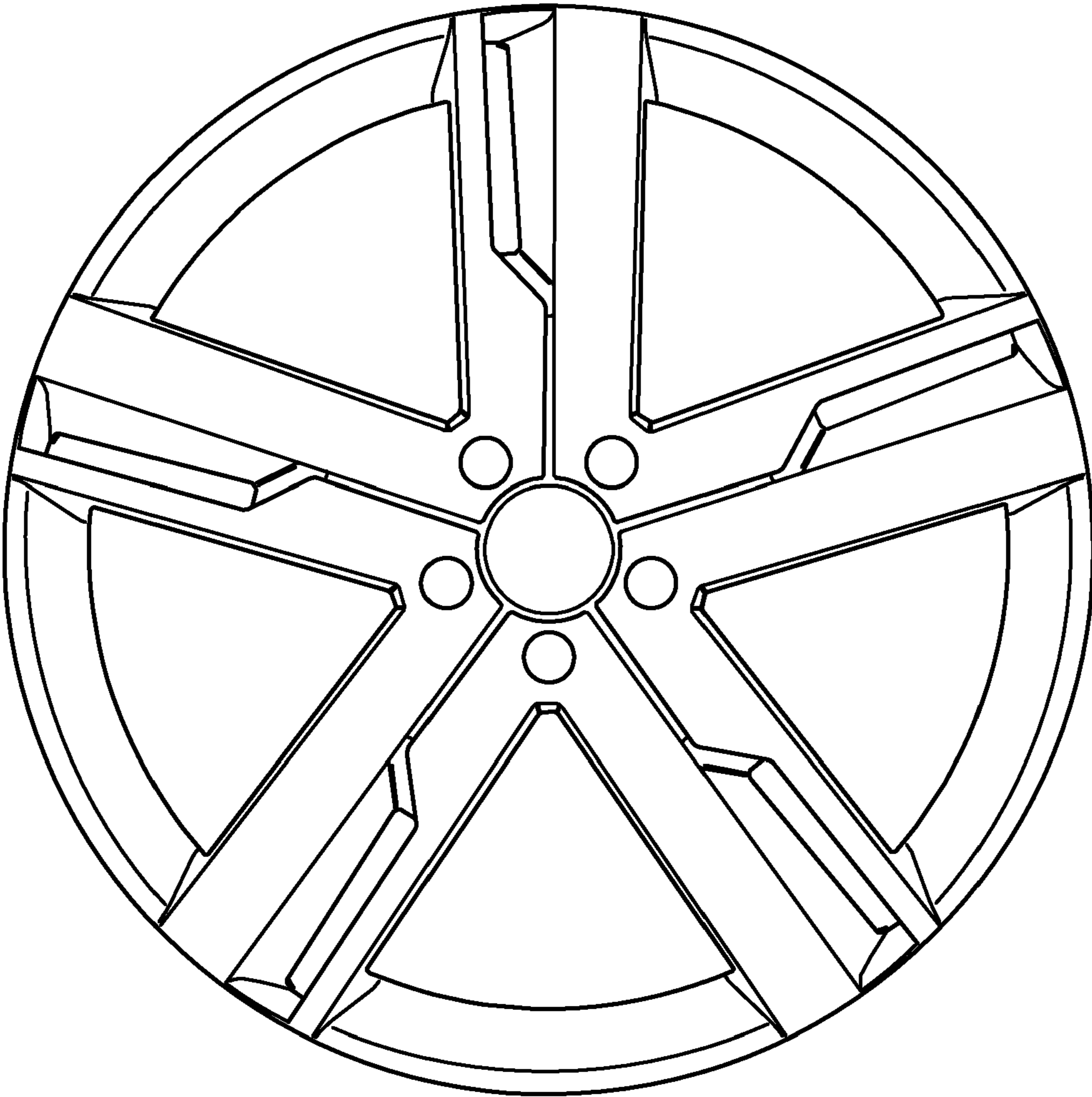


FIG - 3



FIG. 4