



US00D644586S

(12) **United States Design Patent**  
**Baum**

(10) **Patent No.:** **US D644,586 S**

(45) **Date of Patent:** **\*\* Sep. 6, 2011**

(54) **WHEEL OR WHEEL COVER**

(75) **Inventor:** **Stephan Baum, Olching (DE)**

(73) **Assignee:** **Bayerische Motoren Werke  
Aktiengesellschaft, Munich (DE)**

(\*\*) **Term:** **14 Years**

(21) **Appl. No.:** **29/371,129**

(22) **Filed:** **Oct. 27, 2010**

(30) **Foreign Application Priority Data**

Apr. 28, 2010 (DE) ..... 402010002511

(51) **LOC (9) Cl.** ..... **12-16**

(52) **U.S. Cl.** ..... **D12/209**

(58) **Field of Classification Search** ..... D12/204-213;  
301/37.101, 64.101, 65, 64.201  
See application file for complete search history.

(56) **References Cited**

**U.S. PATENT DOCUMENTS**

D504,649 S *	5/2005	Pfeiffer	.....	D12/209
D507,775 S *	7/2005	Pfeiffer	.....	D12/211
D513,726 S *	1/2006	Kamimura	.....	D12/211
D514,999 S	2/2006	Boyer		
D516,490 S *	3/2006	Baer	.....	D12/211
D530,251 S *	10/2006	Gabath	.....	D12/209
D531,562 S *	11/2006	Kim	.....	D12/209
D591,663 S *	5/2009	Chung	.....	D12/211
D599,267 S	9/2009	Morgenstern et al.		
D604,683 S *	11/2009	Hosai	.....	D12/209

D617,244 S *	6/2010	Zhao	.....	D12/209
D617,247 S *	6/2010	Gallert	.....	D12/209
D617,248 S *	6/2010	Zhao	.....	D12/209
D617,251 S *	6/2010	Zhao	.....	D12/211
D620,425 S *	7/2010	Zhao	.....	D12/211
D620,872 S *	8/2010	Juergens et al.	.....	D12/211
D627,698 S *	11/2010	Zhang	.....	D12/209
D633,840 S *	3/2011	Johnson	.....	D12/209

**FOREIGN PATENT DOCUMENTS**

EM	000032438-0002	10/2003
EM	000213335-0003	11/2004
EM	000440813-0003	1/2006
EM	001036552-0001	11/2009
EM	001636978-0016	11/2010

\* cited by examiner

*Primary Examiner* — Stacia Cadmus

(74) *Attorney, Agent, or Firm* — Crowell & Moring LLP

(57) **CLAIM**

The ornamental design for a wheel or wheel cover, as shown and described.

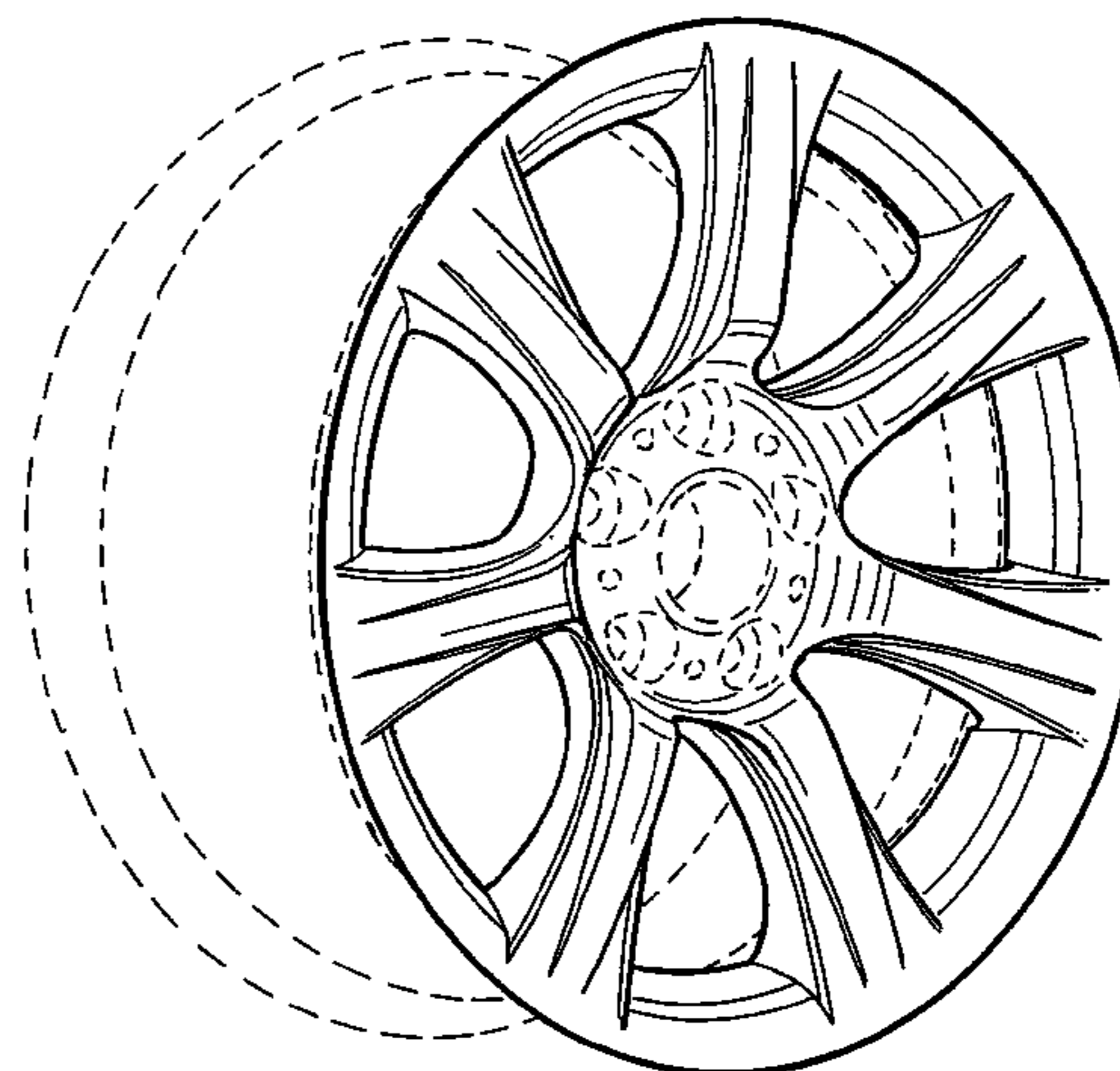
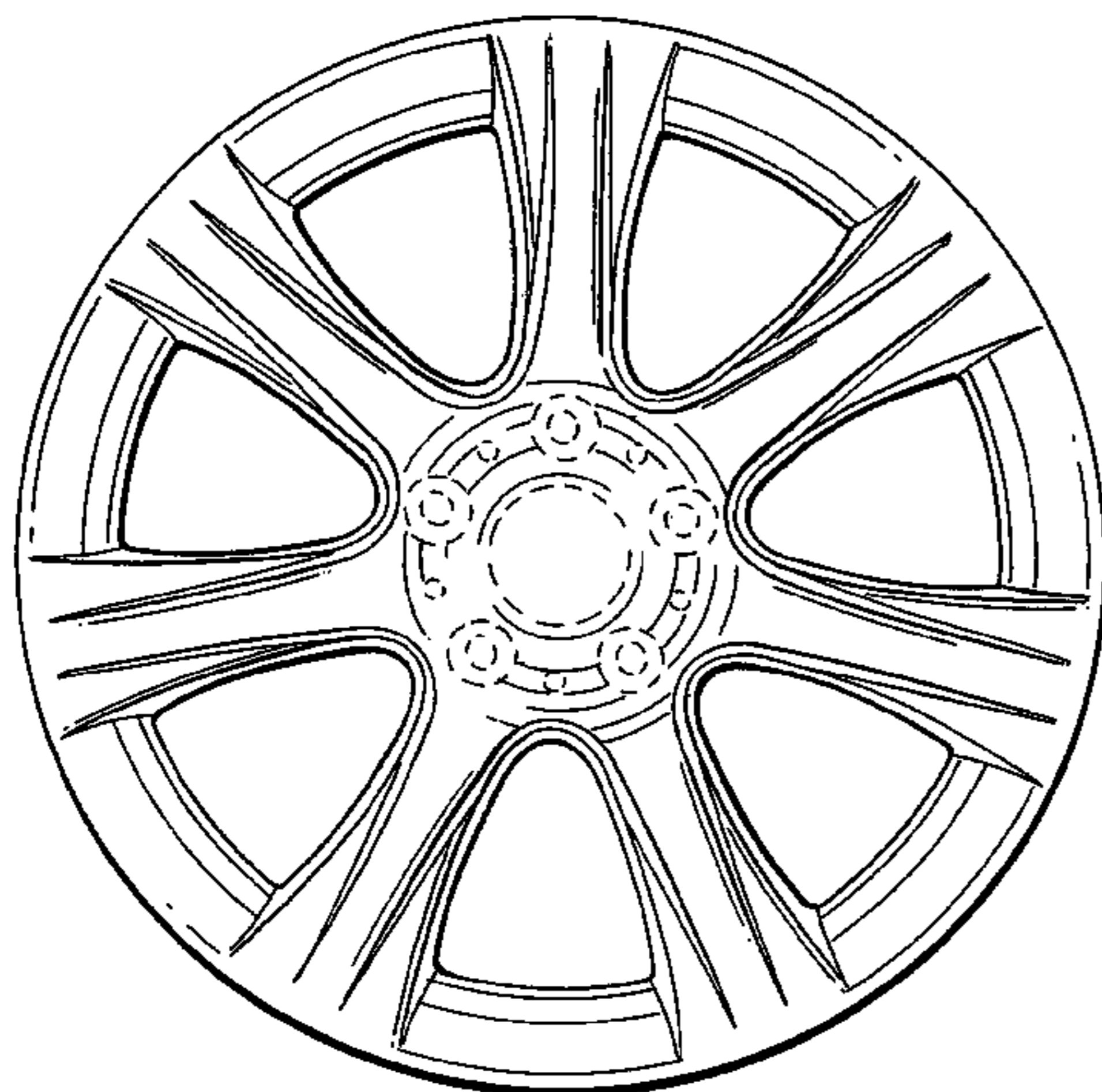
**DESCRIPTION**

FIG. 1 is a front view of a wheel or wheel cover according to my design; and,

FIG. 2 is a perspective view thereof.

The broken line showing of the rear of the wheel, the bolt holes and the center hole in the central hub area is included for the purpose of illustrating environment and forms no part of the claimed design.

**1 Claim, 1 Drawing Sheet**



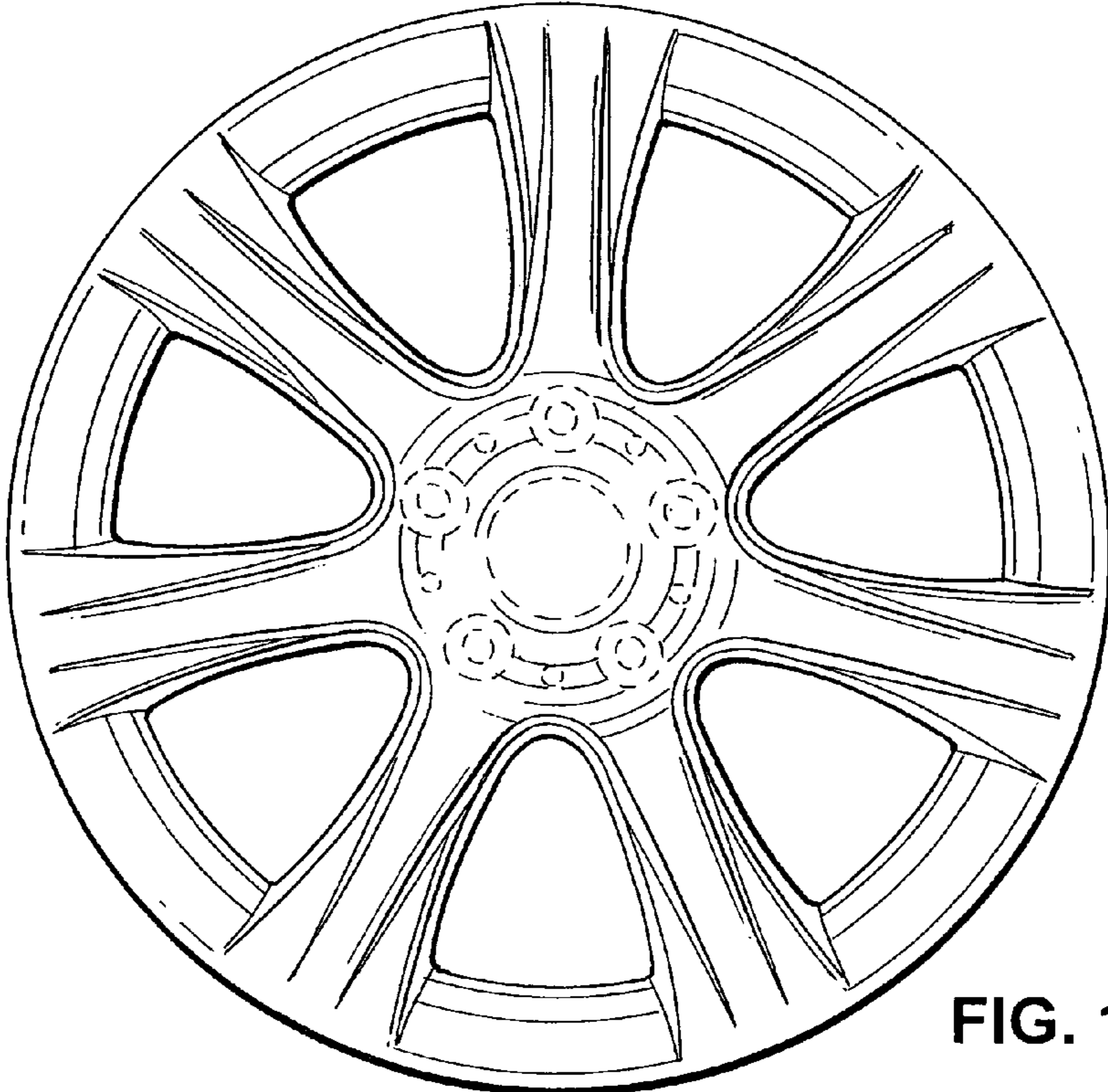


FIG. 1

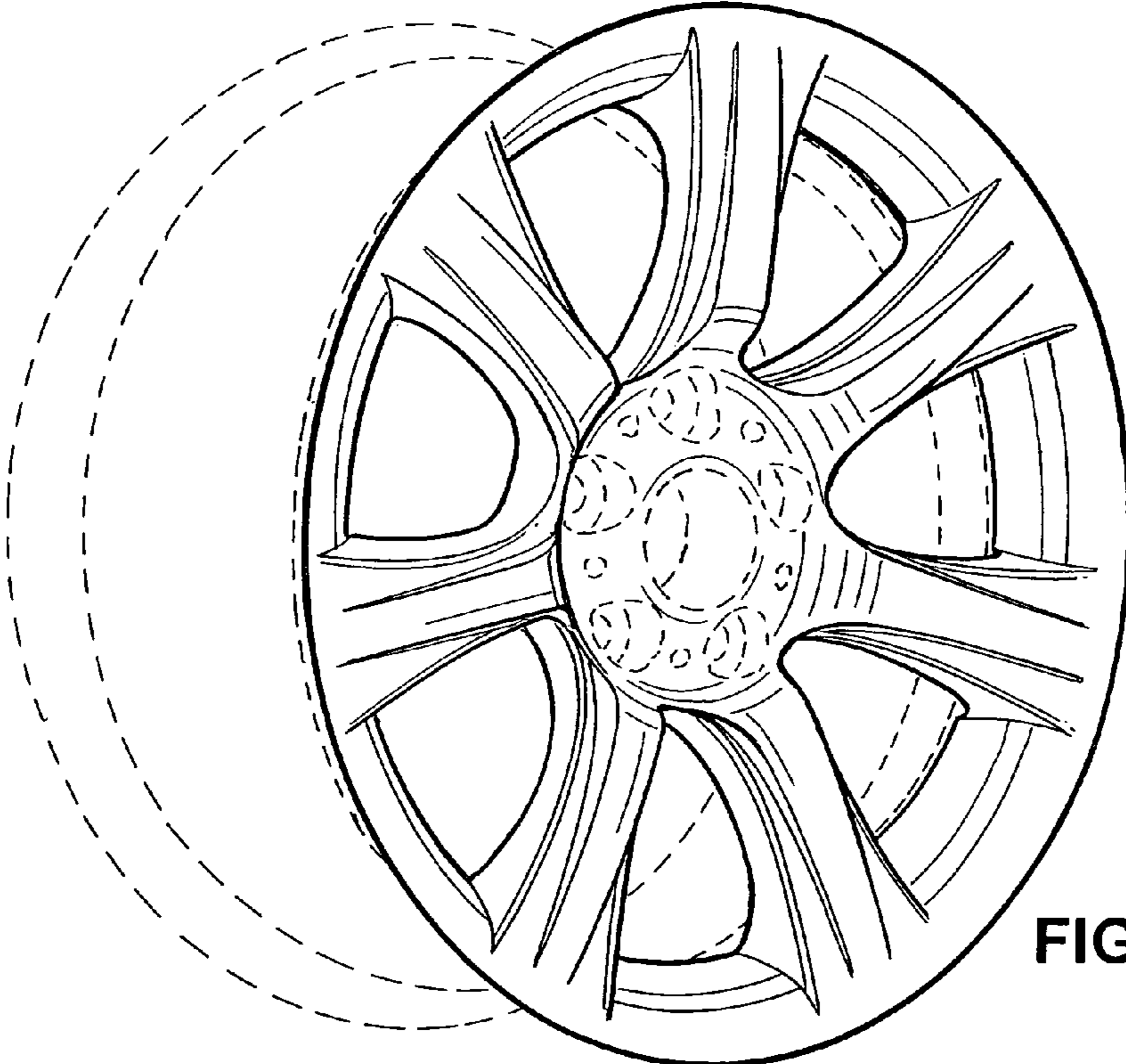


FIG. 2