



US00D644585S

(12) **United States Design Patent**
Antoniadis et al.

(10) **Patent No.:** **US D644,585 S**

(45) **Date of Patent:** **** *Sep. 6, 2011**

(54) **WHEEL OR WHEEL COVER**

(75) Inventors: **Apostolos Antoniadis**, Sindelfingen (DE); **Gert Stolz**, Kernen (DE)

(73) Assignee: **Daimler AG**, Stuttgart (DE)

(*) Notice: This patent is subject to a terminal disclaimer.

(**) Term: **14 Years**

(21) Appl. No.: **29/311,241**

(22) Filed: **Jan. 27, 2009**

(30) **Foreign Application Priority Data**

Jul. 28, 2008 (EM) 000977988-0005

(51) **LOC (9) Cl.** **12-16**

(52) **U.S. Cl.** **D12/209**

(58) **Field of Classification Search** D12/204-213;
301/37.101, 64.101, 65, 64.201

See application file for complete search history.

(56) **References Cited**

U.S. PATENT DOCUMENTS

D412,692	S	*	8/1999	Hussaini	D12/209
D487,046	S	*	2/2004	Yamagishi	D12/209
D510,554	S	*	10/2005	Markefka	D12/211
D530,258	S	*	10/2006	Schell	D12/211
D582,335	S	*	12/2008	Rak	D12/211
D589,427	S	*	3/2009	Scheu	D12/211
D621,317	S	*	8/2010	Antoniadis et al.	D12/209

* cited by examiner

Primary Examiner — Stacia Cadmus

(74) *Attorney, Agent, or Firm* — Crowell & Moring LLP

(57) **CLAIM**

The ornamental design for a wheel or wheel cover, as shown and described.

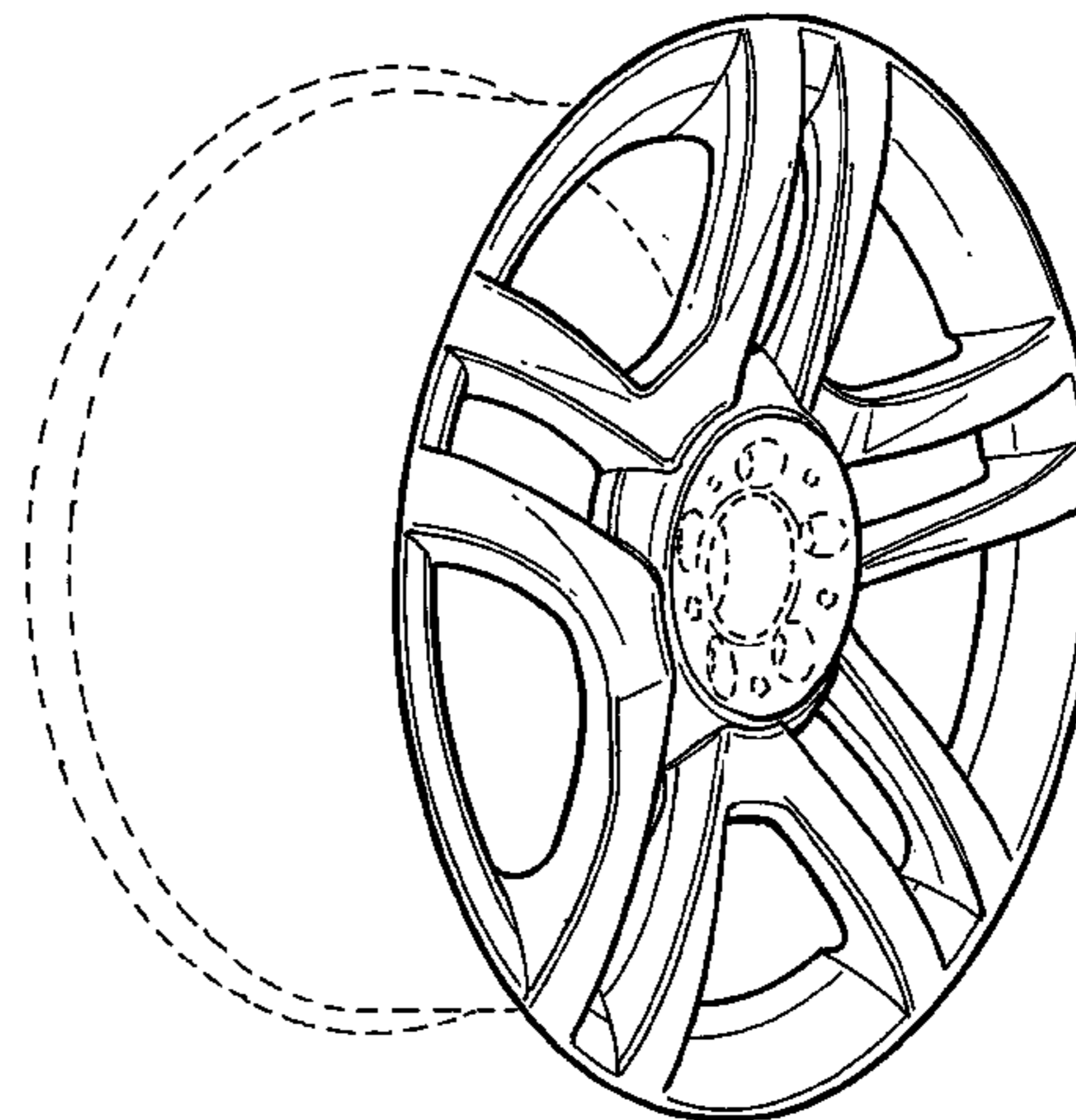
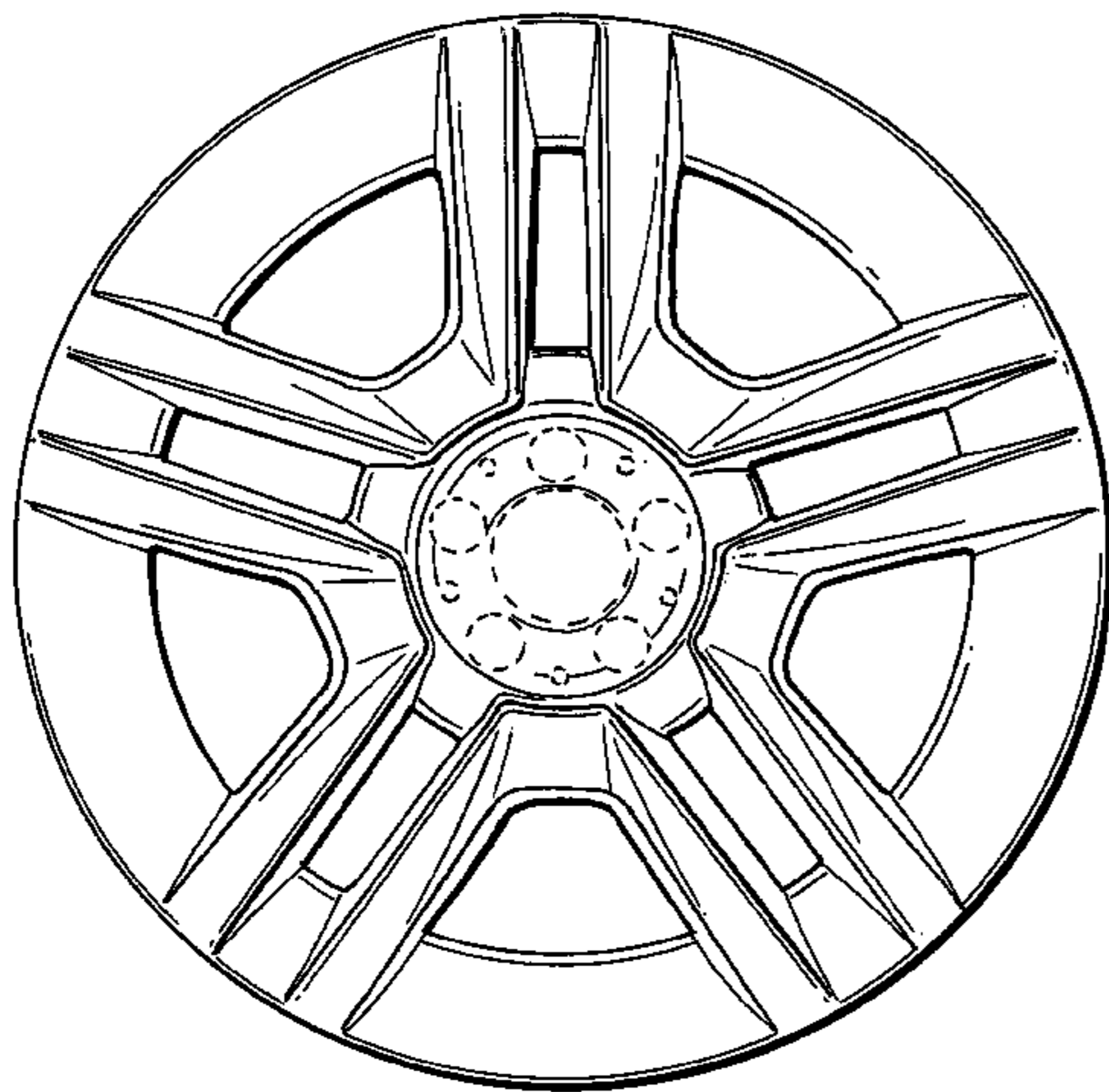
DESCRIPTION

FIG. 1 is a front view of a wheel or wheel cover according to our novel design; and,

FIG. 2 is a perspective view thereof.

The broken line showing of the rear of the wheel, the bolt holes and center hole in the central hub area is included for the purpose of illustrating environment and forms no part of the claimed design.

1 Claim, 1 Drawing Sheet



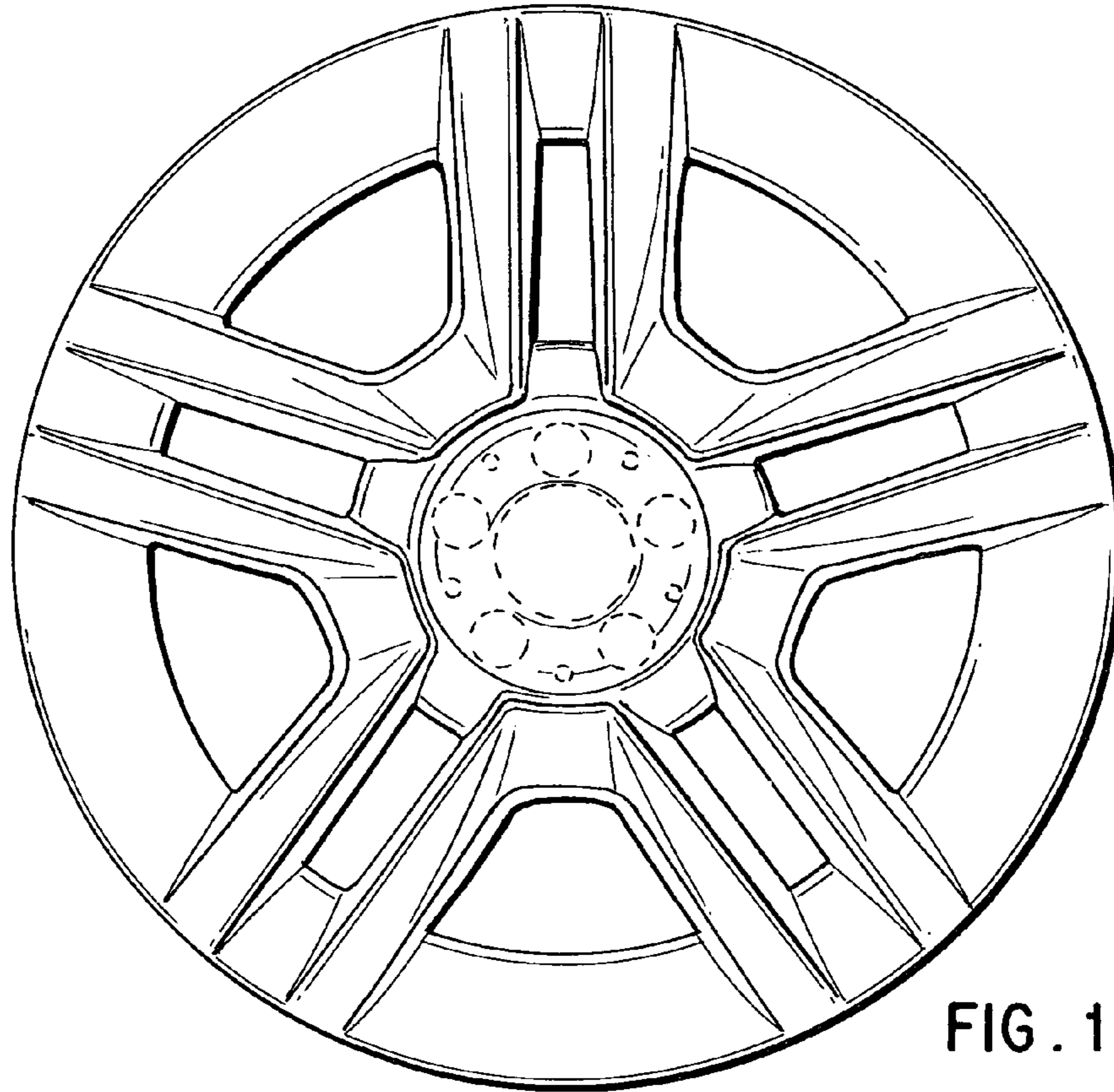


FIG. 1

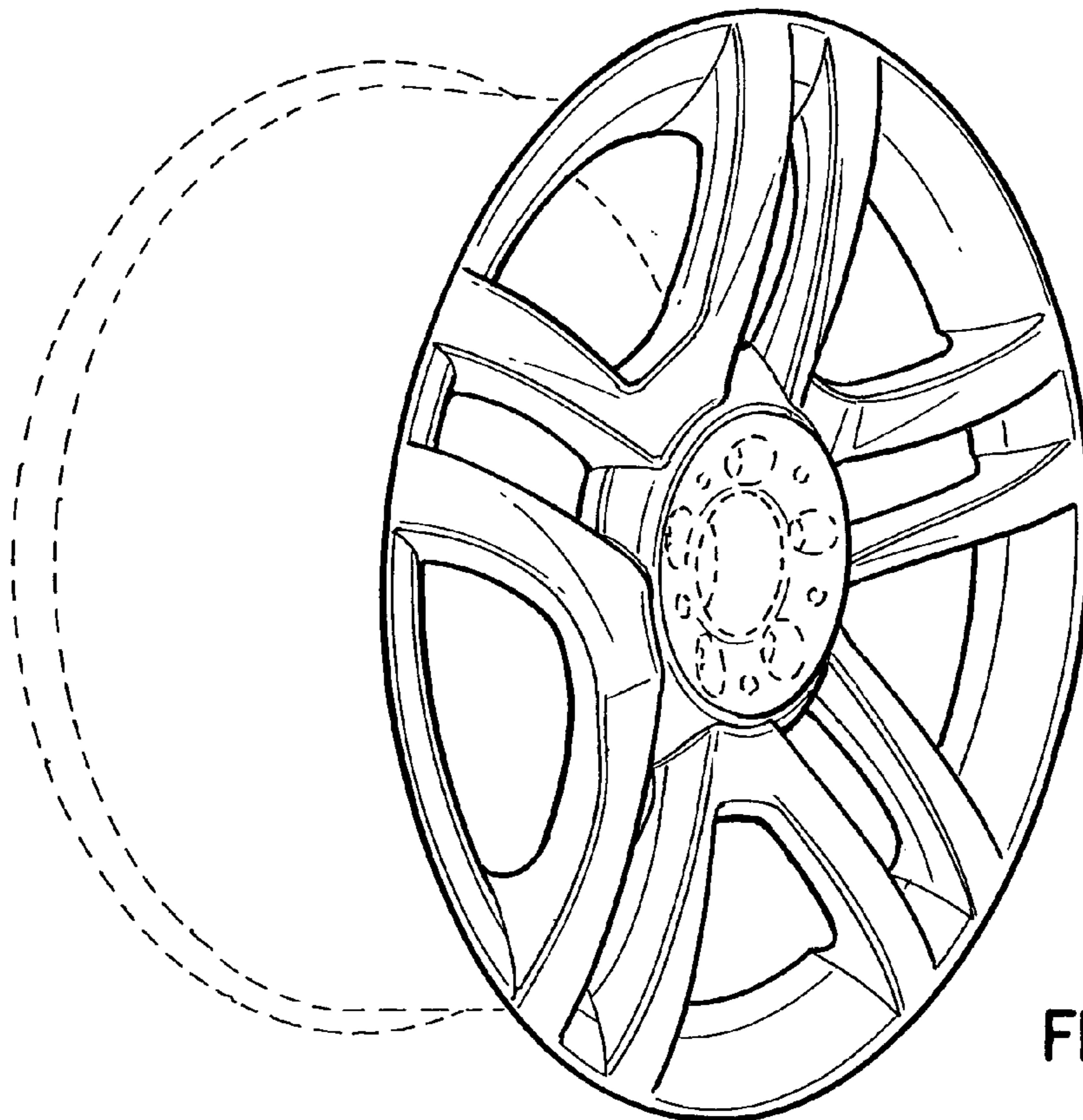


FIG. 2