



US00D644584S

(12) **United States Design Patent**  
**Vardis**

(10) **Patent No.:** **US D644,584 S**

(45) **Date of Patent:** **\*\* Sep. 6, 2011**

(54) **VEHICLE DOOR SIDE SCOOP**

(75) Inventor: **Nicholas Vardis**, Sylvan Lake, MI (US)

(73) Assignee: **Chrysler Group LLC**, Auburn Hills, MI (US)

(\*\*) Term: **14 Years**

(21) Appl. No.: **29/382,776**

(22) Filed: **Jan. 7, 2011**

(51) **LOC (9) Cl.** ..... **12-16**

(52) **U.S. Cl.** ..... **D12/196; D12/190**

(58) **Field of Classification Search** ..... D12/196,  
D12/190, 90-92, 184; 280/152.1, 847-849,  
280/851; 296/181.1, 181.5

See application file for complete search history.

(56) **References Cited**

**U.S. PATENT DOCUMENTS**

D507,514 S \* 7/2005 Nagura et al. .... D12/196  
D600,614 S \* 9/2009 Lamm ..... D12/184

D604,681 S \* 11/2009 Nakamura ..... D12/184  
D608,263 S \* 1/2010 Truebsbach ..... D12/190  
D628,525 S \* 12/2010 Fisker et al. .... D12/190  
D631,806 S \* 2/2011 Schneider ..... D12/190

\* cited by examiner

*Primary Examiner* — Melody N Brown

(74) *Attorney, Agent, or Firm* — Ralph E. Smith

(57) **CLAIM**

The ornamental design for a vehicle door side scoop, as shown and described.

**DESCRIPTION**

FIG. 1 is a front elevation view of a vehicle door side scoop showing the new design;

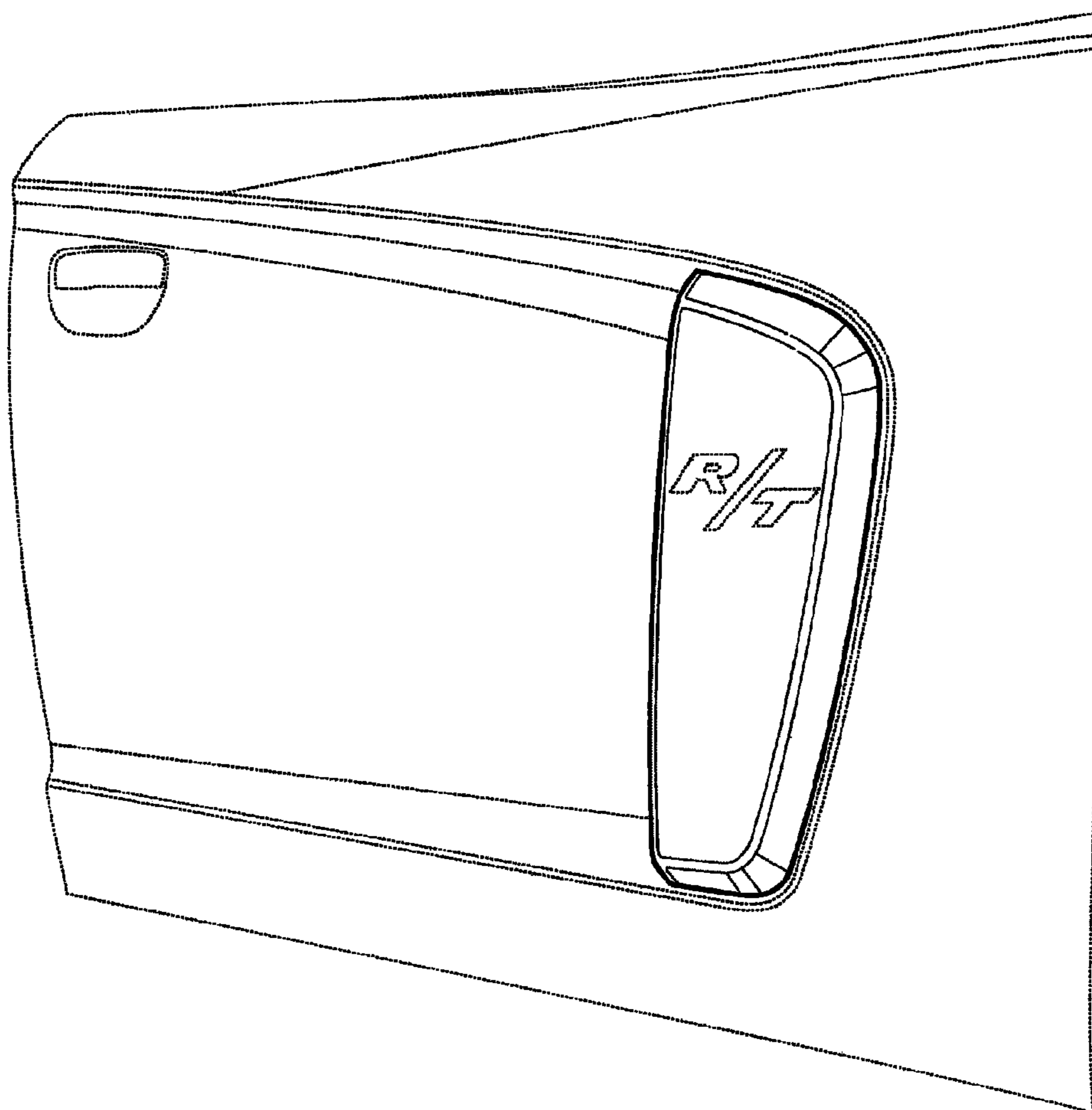
FIG. 2 is a top perspective view thereof;

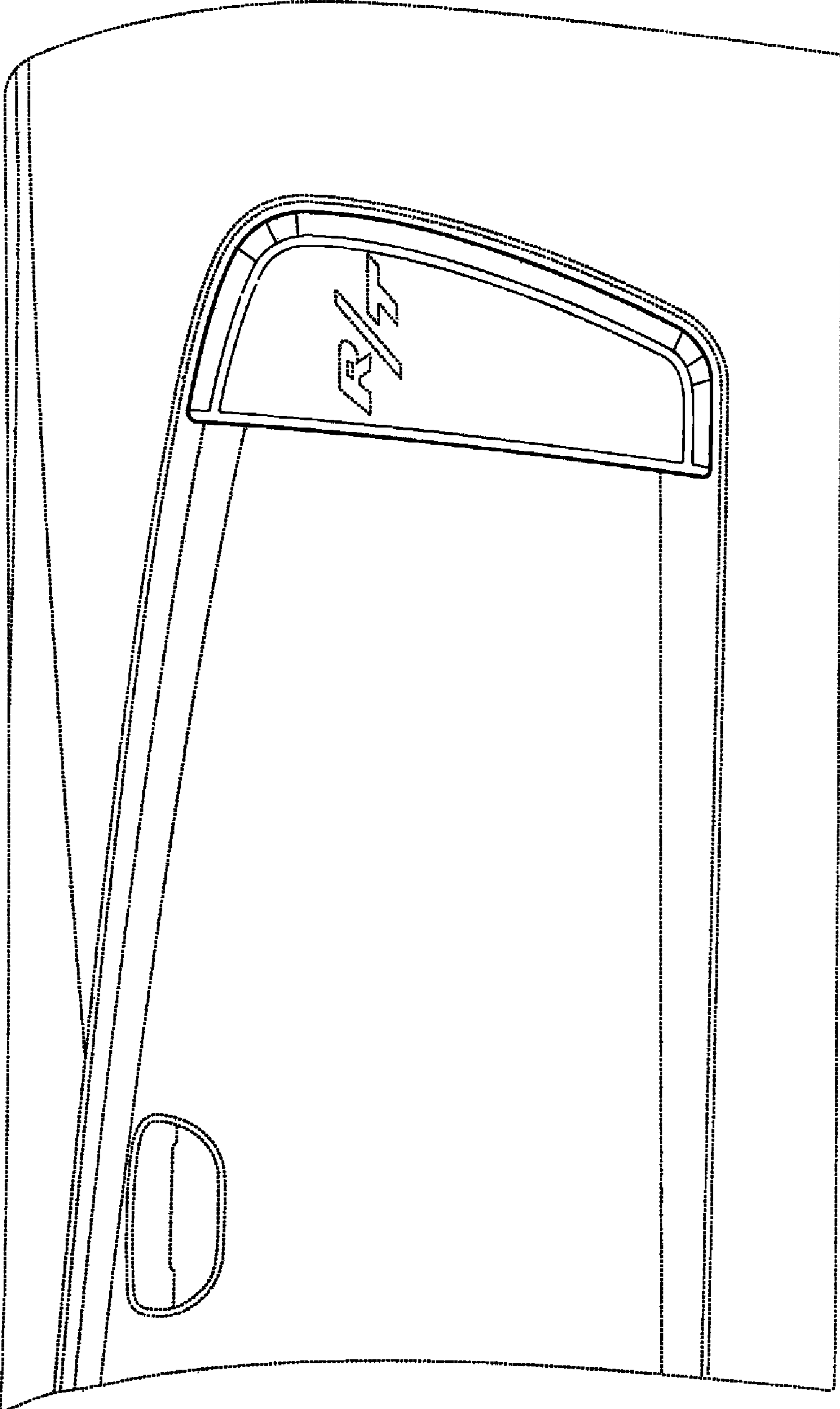
FIG. 3 is a side perspective view thereof; and,

FIG. 4 is a front perspective view thereof.

It will be understood that the broken lines presented in the drawings are for illustration only, and do not form a part of the claimed design.

**1 Claim, 4 Drawing Sheets**





**FIG. 1**

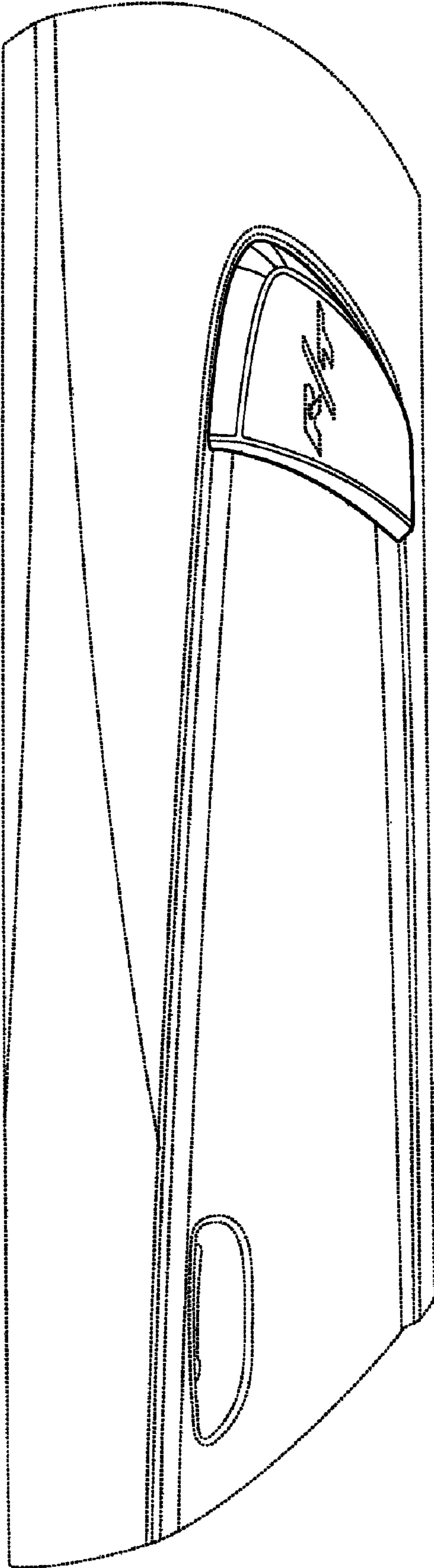
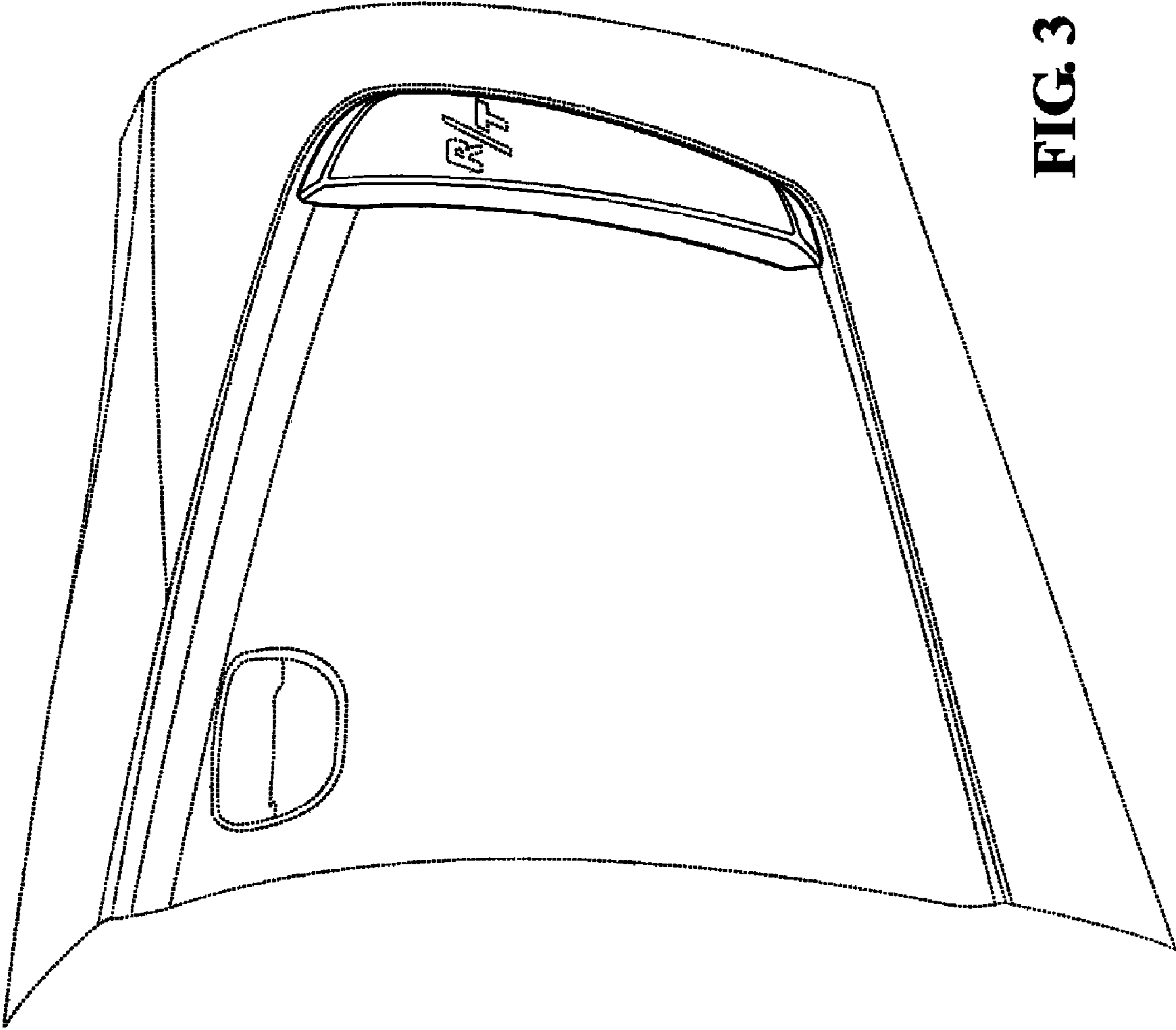
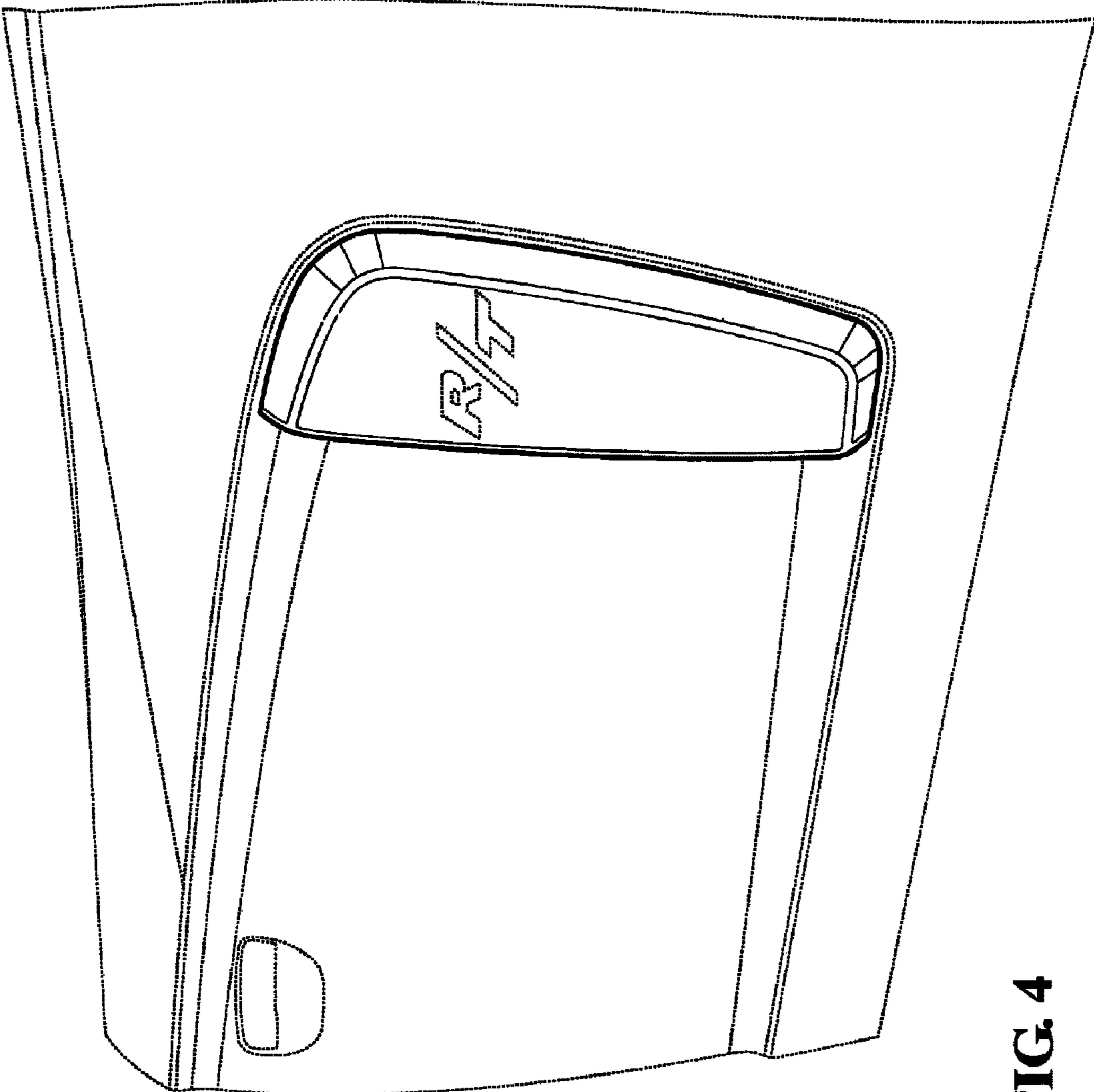


FIG. 2



**FIG. 3**



**FIG. 4**