



US00D644582S

(12) **United States Design Patent**
Palmer

(10) **Patent No.:** **US D644,582 S**

(45) **Date of Patent:** **** Sep. 6, 2011**

(54) **LICENSE PLATE FRAME**

(76) Inventor: **Robert Palmer**, Cudahy, CA (US)

(**) Term: **14 Years**

(21) Appl. No.: **29/393,965**

(22) Filed: **Jun. 10, 2011**

(51) **LOC (9) Cl.** **12-16**

(52) **U.S. Cl.** **D12/193**

(58) **Field of Classification Search** D12/193;
D6/300-302, 310-314; 40/200-204, 207-214;
D20/13; 348/148, 373

See application file for complete search history.

(56) **References Cited**

U.S. PATENT DOCUMENTS

D96,198 S *	7/1935	Osbrink	D12/193
D102,729 S *	1/1937	Pemberton	D12/193
D134,835 S *	1/1943	Griffith	D12/193
D159,314 S *	7/1950	Baumgartner	D12/193
D163,328 S *	5/1951	Rothman	D12/193
D175,144 S *	7/1955	Audette	D12/193
D219,774 S *	1/1971	Cox	D12/193
D281,490 S *	11/1985	Lien	D12/193
D301,863 S *	6/1989	Iacovelli et al.	D12/193
D382,241 S *	8/1997	Moureaux	D12/193
D411,155 S *	6/1999	Hartmann et al.	D12/193

D464,299 S *	10/2002	Ohm et al.	D12/193
D546,256 S *	7/2007	Fischer, III	D12/193
D557,647 S *	12/2007	Parenti	D12/193

* cited by examiner

Primary Examiner — Stacia Cadmus

(74) *Attorney, Agent, or Firm* — Robert J. Lauson; Lauson & Tarver LLP

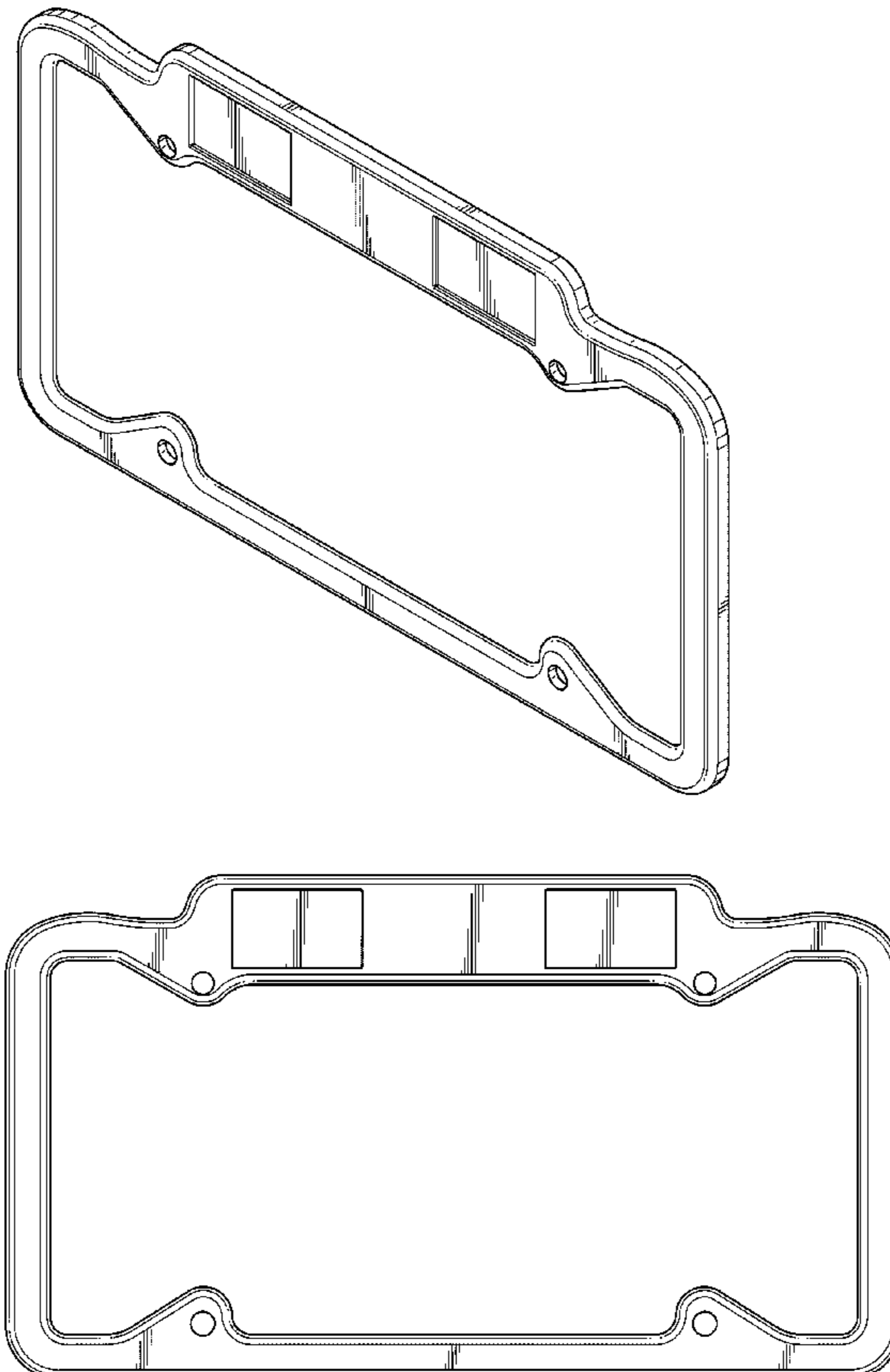
(57) **CLAIM**

We claim the ornamental design for a license plate frame, as shown and described.

DESCRIPTION

FIG. 1 is a front perspective view of the license plate frame, showing my new design;
 FIG. 2 is an end view thereof.
 FIG. 3 is a top view thereof.
 FIG. 4 is a bottom view thereof.
 FIG. 5 is a front view thereof.
 FIG. 6 is a front perspective view of the second embodiment.
 FIG. 7 is an end view of the second embodiment.
 FIG. 8 is a top view of the second embodiment.
 FIG. 9 is a bottom view of the second embodiment.
 FIG. 10 is a front view of the second embodiment.
 FIG. 11 is a front perspective view of the third embodiment.
 FIG. 12 is an end view of the third embodiment.
 FIG. 13 is a top view of the third embodiment.
 FIG. 14 is a bottom view of the third embodiment; and,
 FIG. 15 is a front view of the third embodiment.

1 Claim, 6 Drawing Sheets



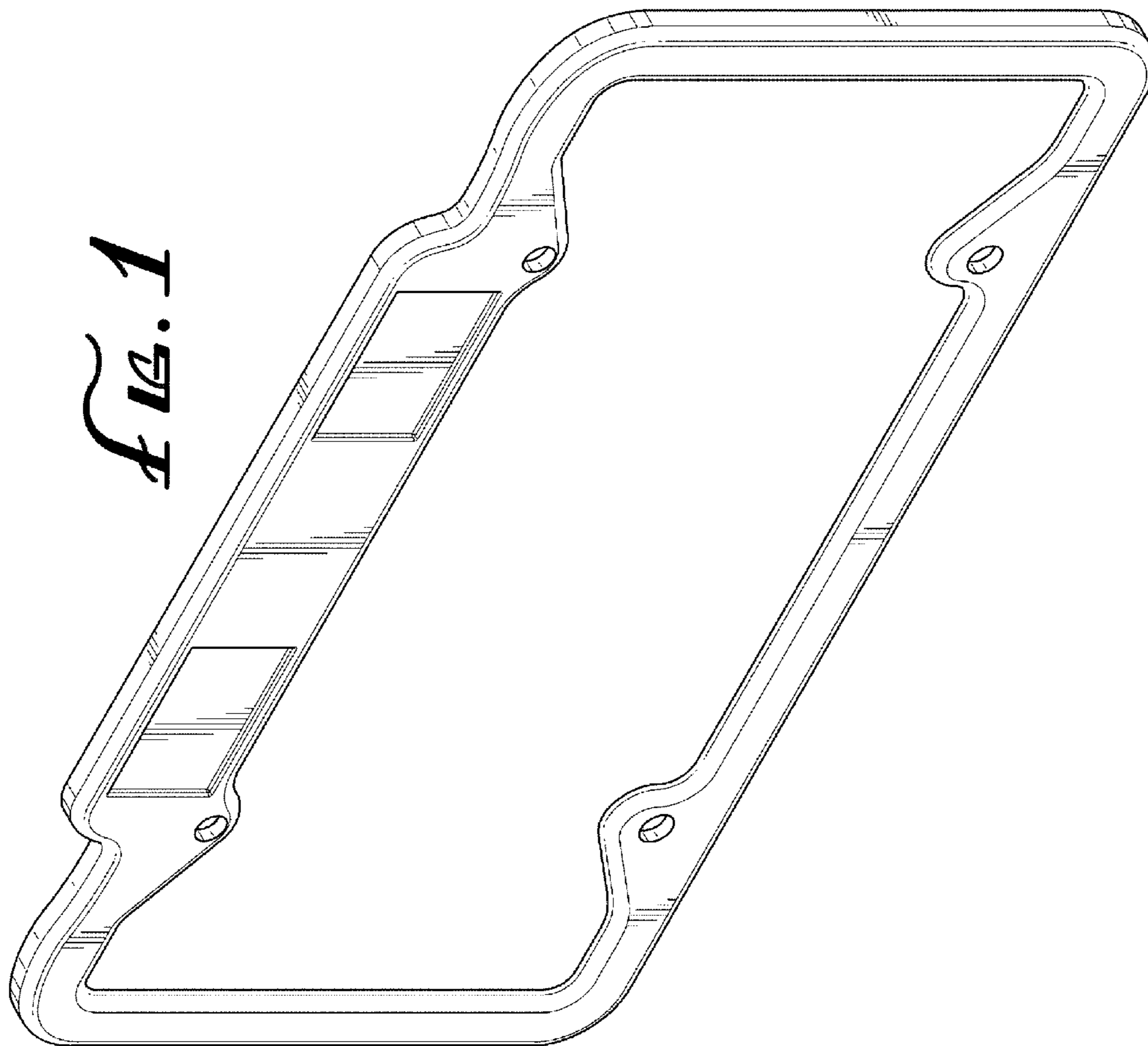


FIG. 2

FIG. 3

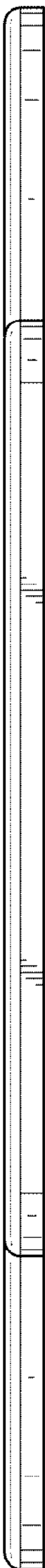


FIG. 4



FIG. 5

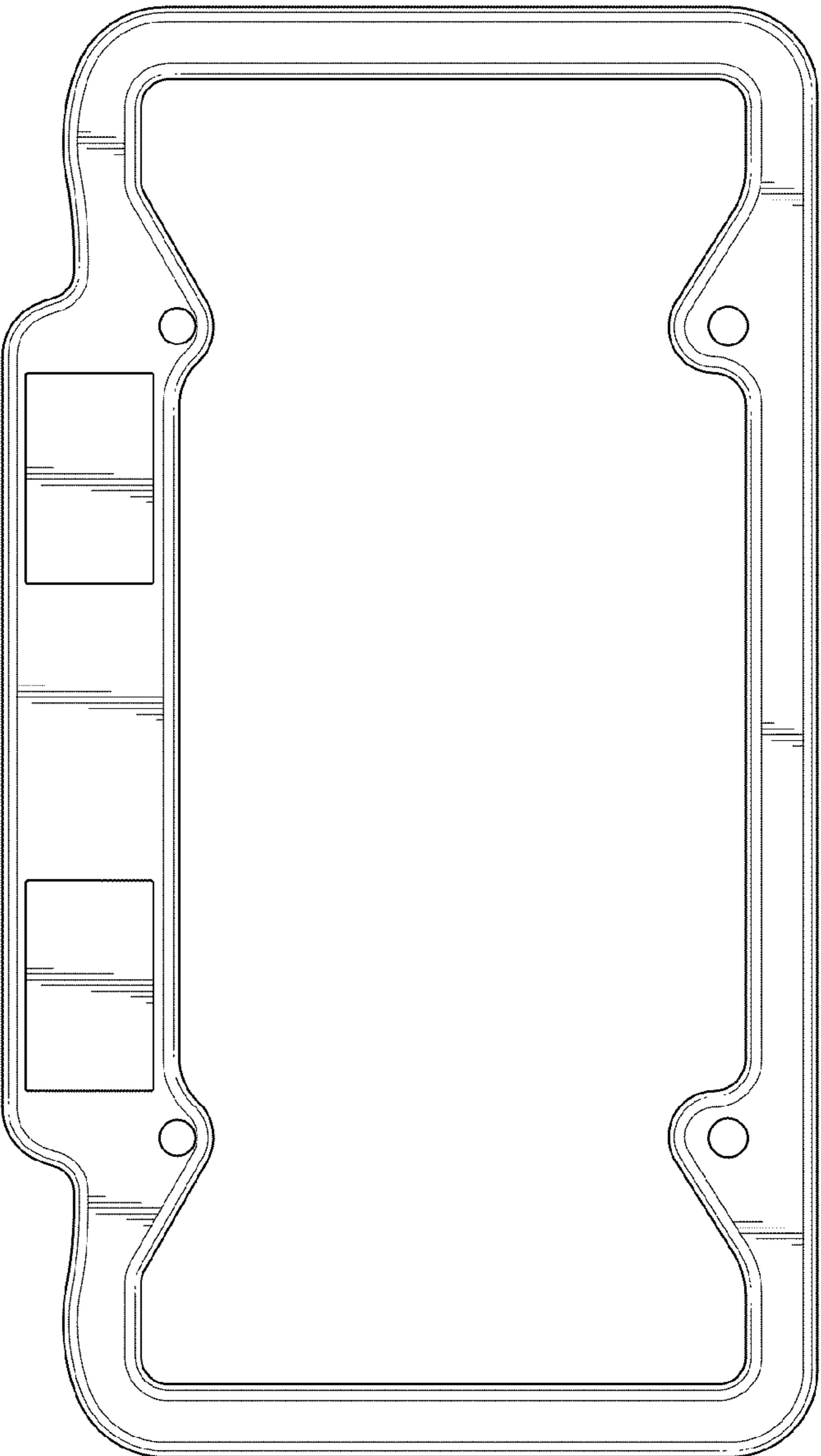




FIG. 7

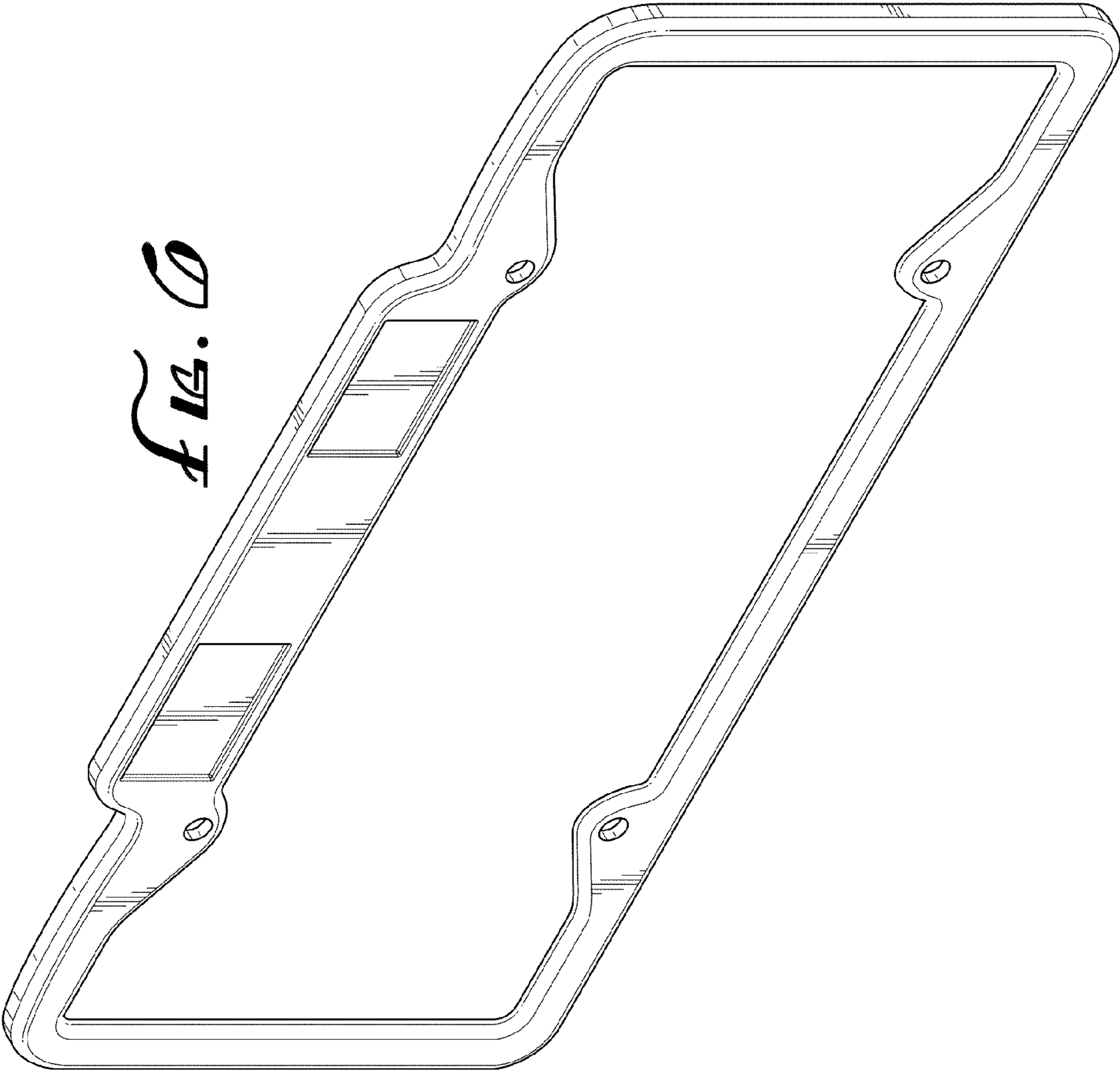


FIG. 6

FIG. 8

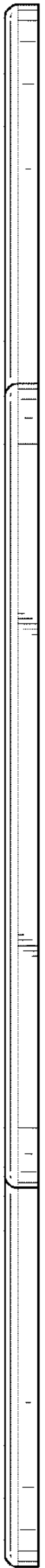


FIG. 9

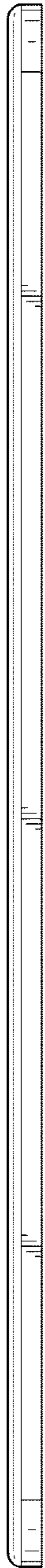
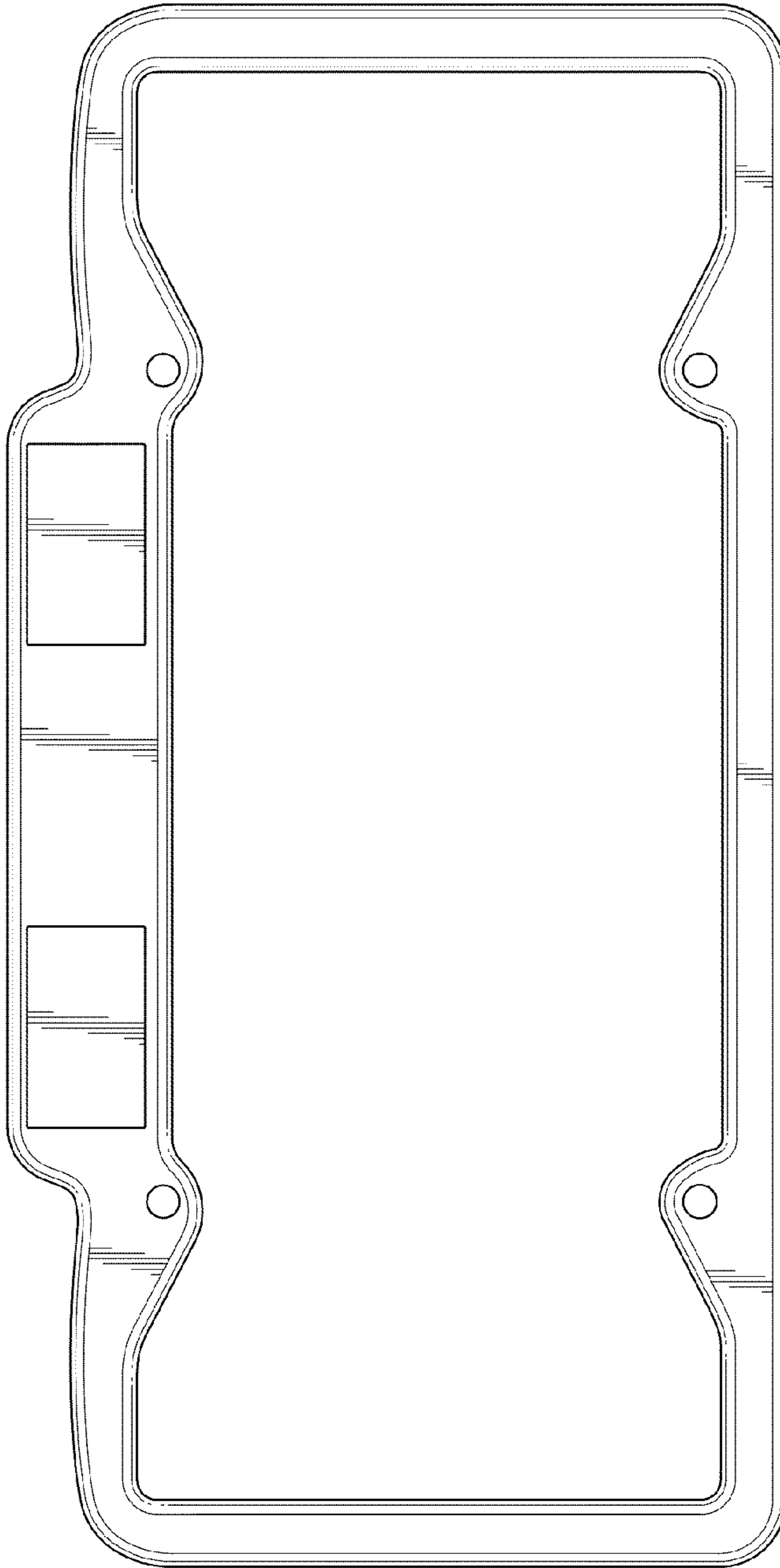


FIG. 10



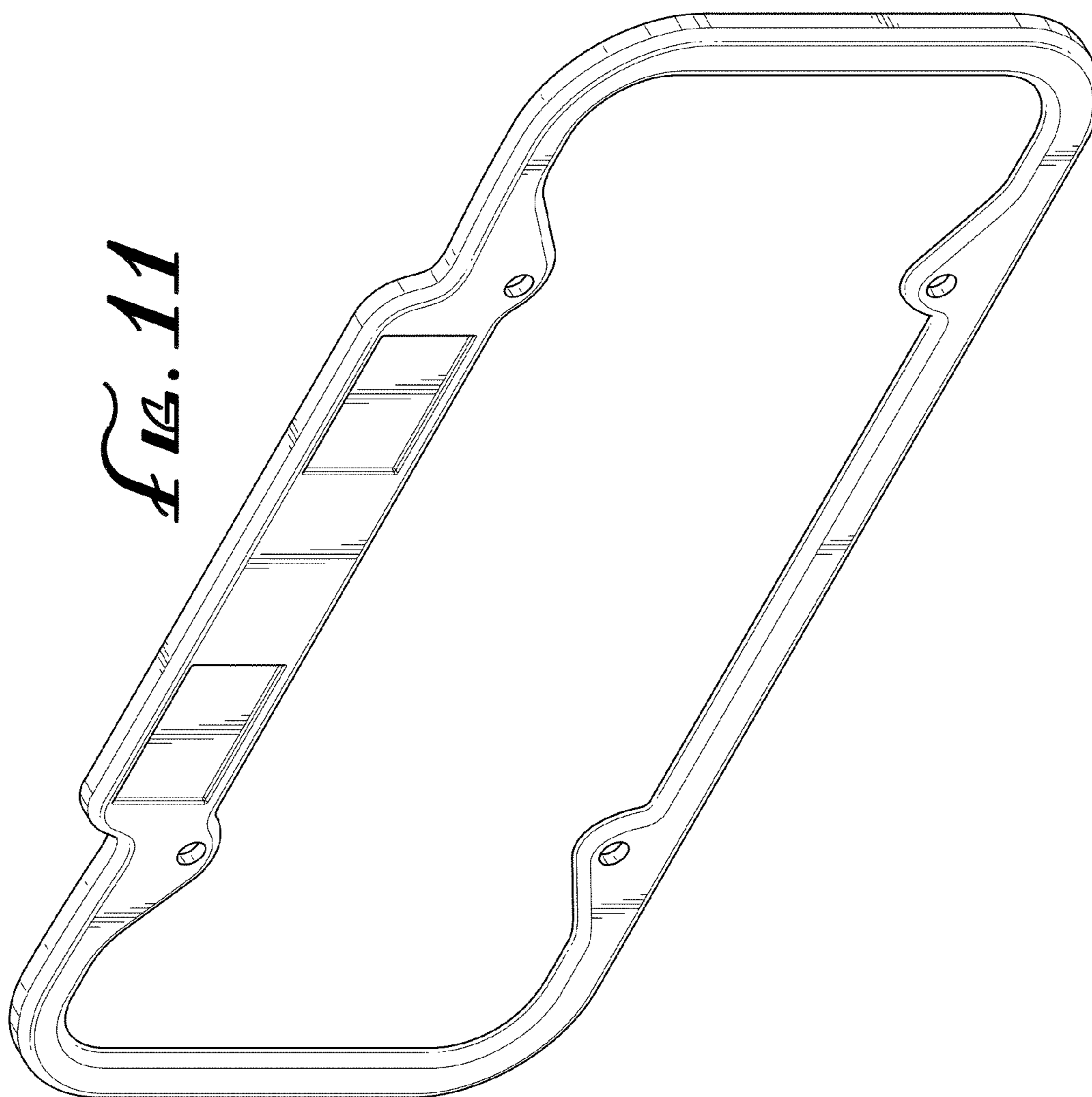


FIG. 11



FIG. 12

FIG. 13

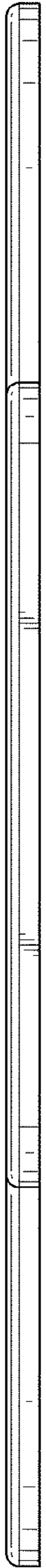


FIG. 14

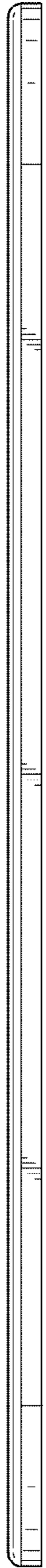


FIG. 15

