



US00D644578S

(12) **United States Design Patent**
Messale

(10) **Patent No.:** **US D644,578 S**
(45) **Date of Patent:** **** Sep. 6, 2011**

(54) **VEHICLE REAR LOWER BUMPER COVER**

Ford Kuga, Geneva Auto Show, Mar. 2, 2010.

(75) Inventor: **Claudio Messale**, Köln (DE)

* cited by examiner

(73) Assignee: **Ford Global Technologies, LLC**,
Dearborn, MI (US)

Primary Examiner — Melody N Brown

(74) *Attorney, Agent, or Firm* — Damian Porcari

(**) Term: **14 Years**

(21) Appl. No.: **29/382,802**

(22) Filed: **Jan. 7, 2011**

(51) **LOC (9) Cl.** **12-16**

(52) **U.S. Cl.** **D12/169**

(58) **Field of Classification Search** D12/169,
D12/196, 171, 216, 163, 86, 90-92; 293/102,
293/113, 115, 117, 120; 296/180.1, 180.2
See application file for complete search history.

(57) **CLAIM**

The ornamental design for a vehicle rear lower bumper cover,
as shown and described.

DESCRIPTION

FIG. 1 is a top plan view of a vehicle rear lower bumper cover;
FIG. 2 is a bottom plan view of the vehicle rear lower bumper
cover;
FIG. 3 is a front elevational view of the vehicle rear lower
bumper cover;
FIG. 4 is a left side elevational view of the vehicle rear lower
bumper cover;
FIG. 5 is a right side elevational view of the vehicle rear lower
bumper cover;
FIG. 6 is a perspective view of the vehicle rear lower bumper
cover; and,
FIG. 7 is another perspective view of the vehicle rear lower
bumper cover.

(56) **References Cited**

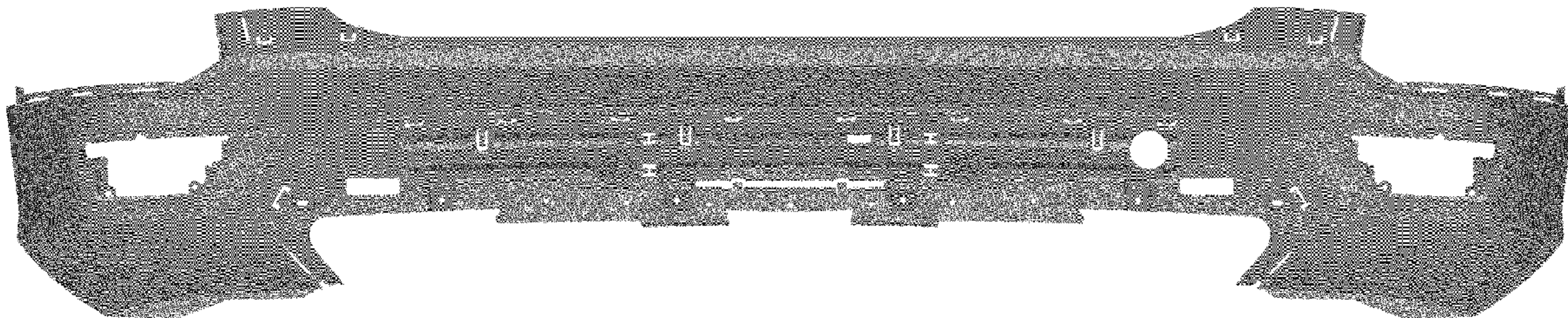
U.S. PATENT DOCUMENTS

D533,487 S	*	12/2006	Truebsbach	D12/169
D580,316 S		11/2008	Gueler et al.		
D608,702 S	*	1/2010	Koizumi et al.	D12/169
D610,501 S	*	2/2010	Bucher et al.	D12/169
D618,599 S	*	6/2010	Miyazawa et al.	D12/169
D623,994 S	*	9/2010	Miyazawa	D12/169

OTHER PUBLICATIONS

Ford Kuga, Frankfurt Motot Show, Sep. 11, 2007.

1 Claim, 7 Drawing Sheets



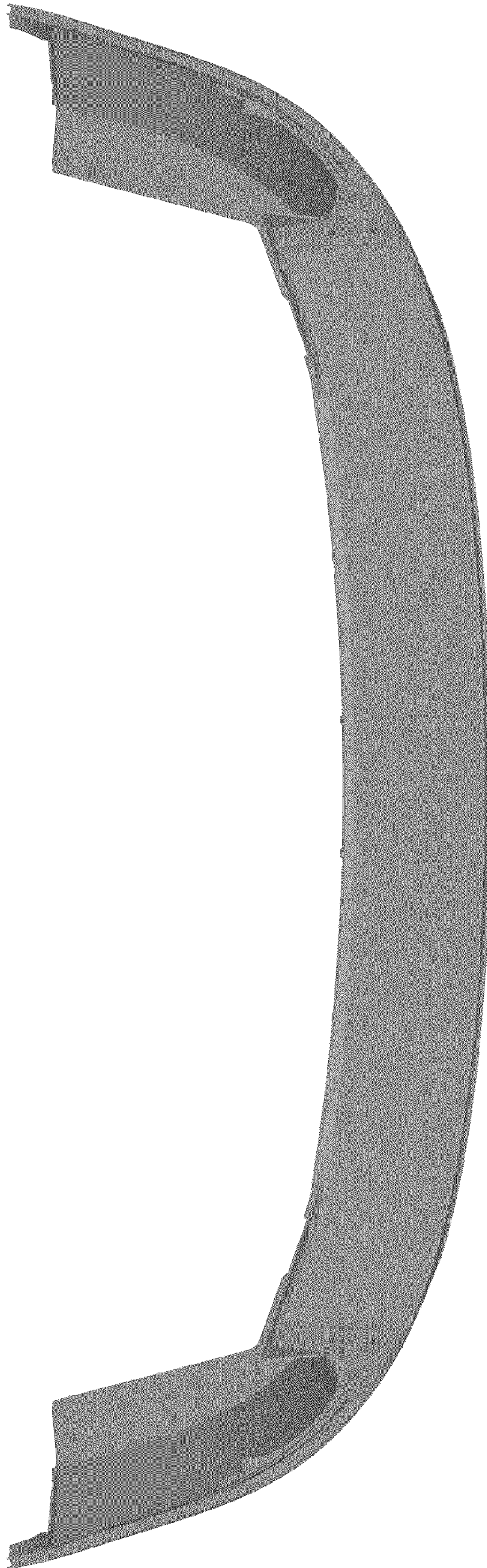
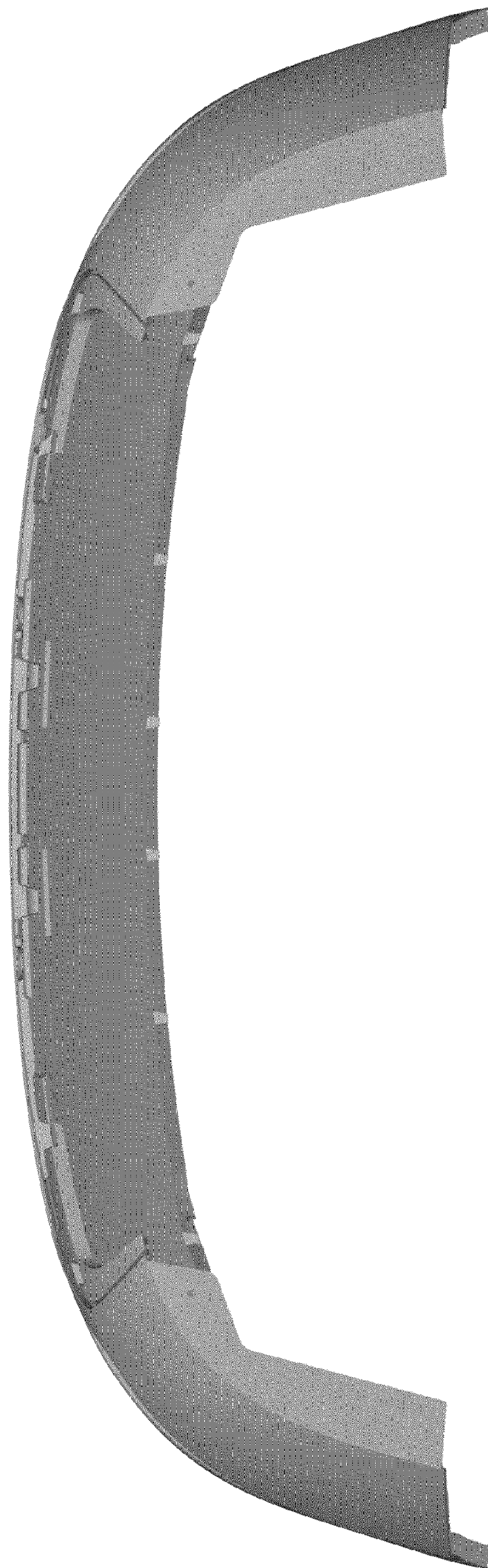


Figure 1

Figure 2



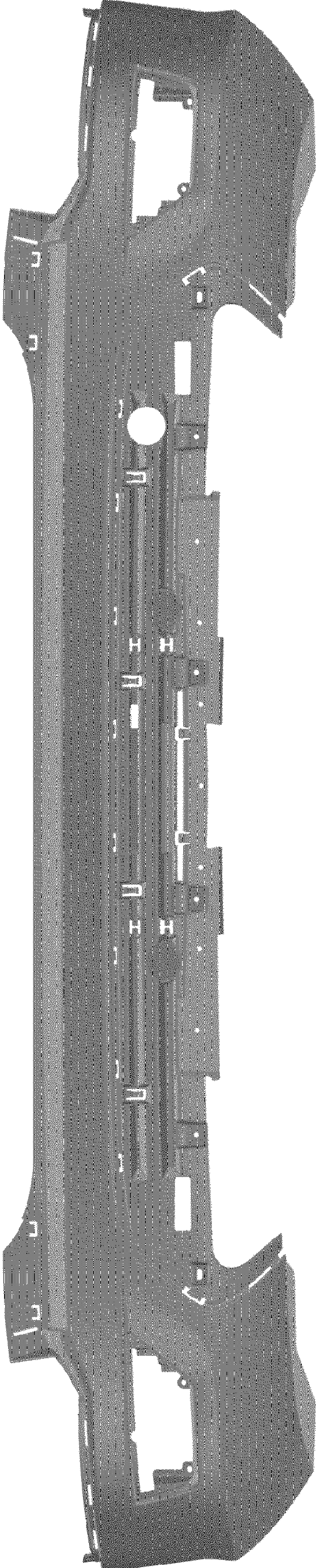


Figure 3

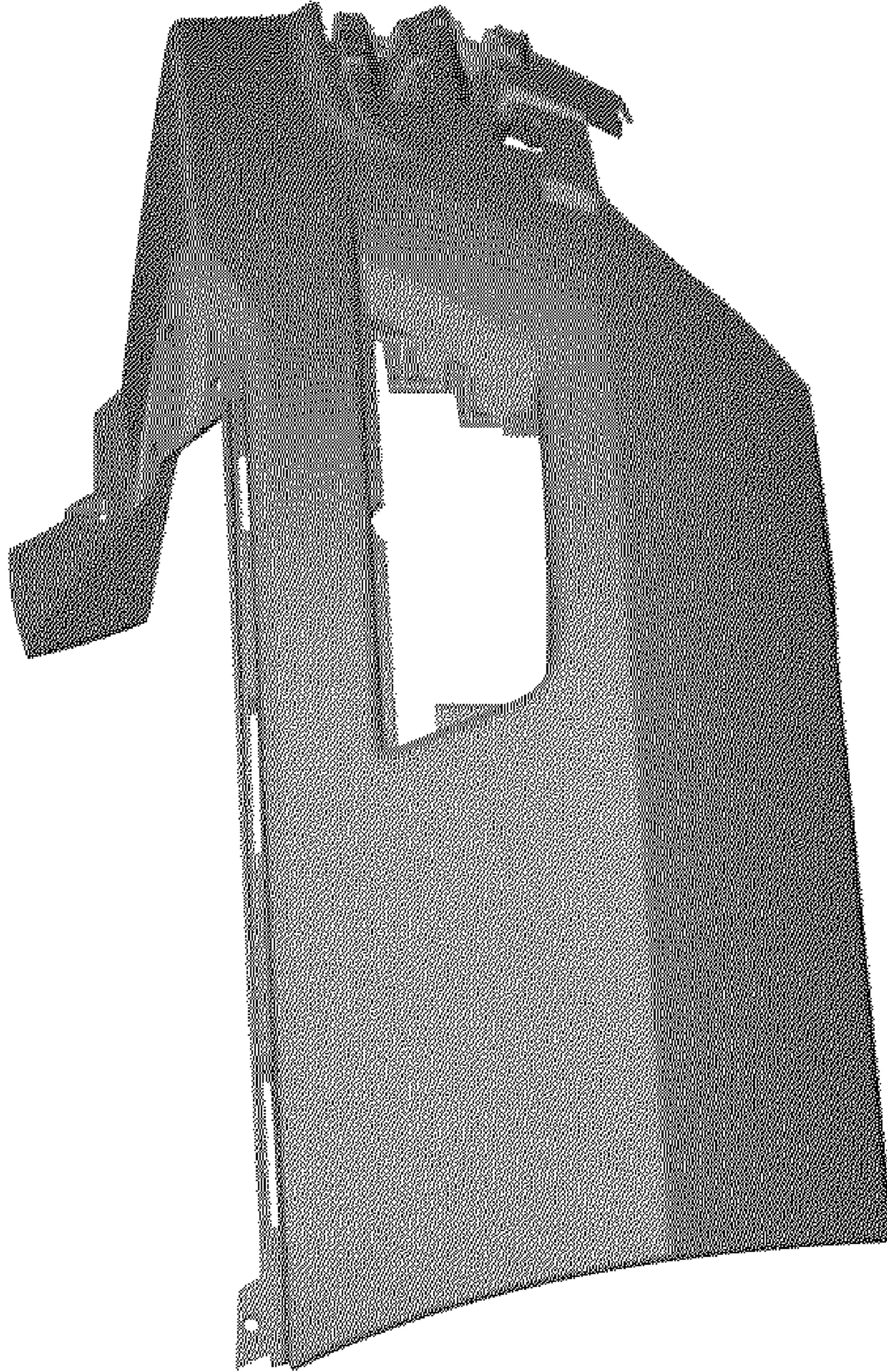


FIGURE 4

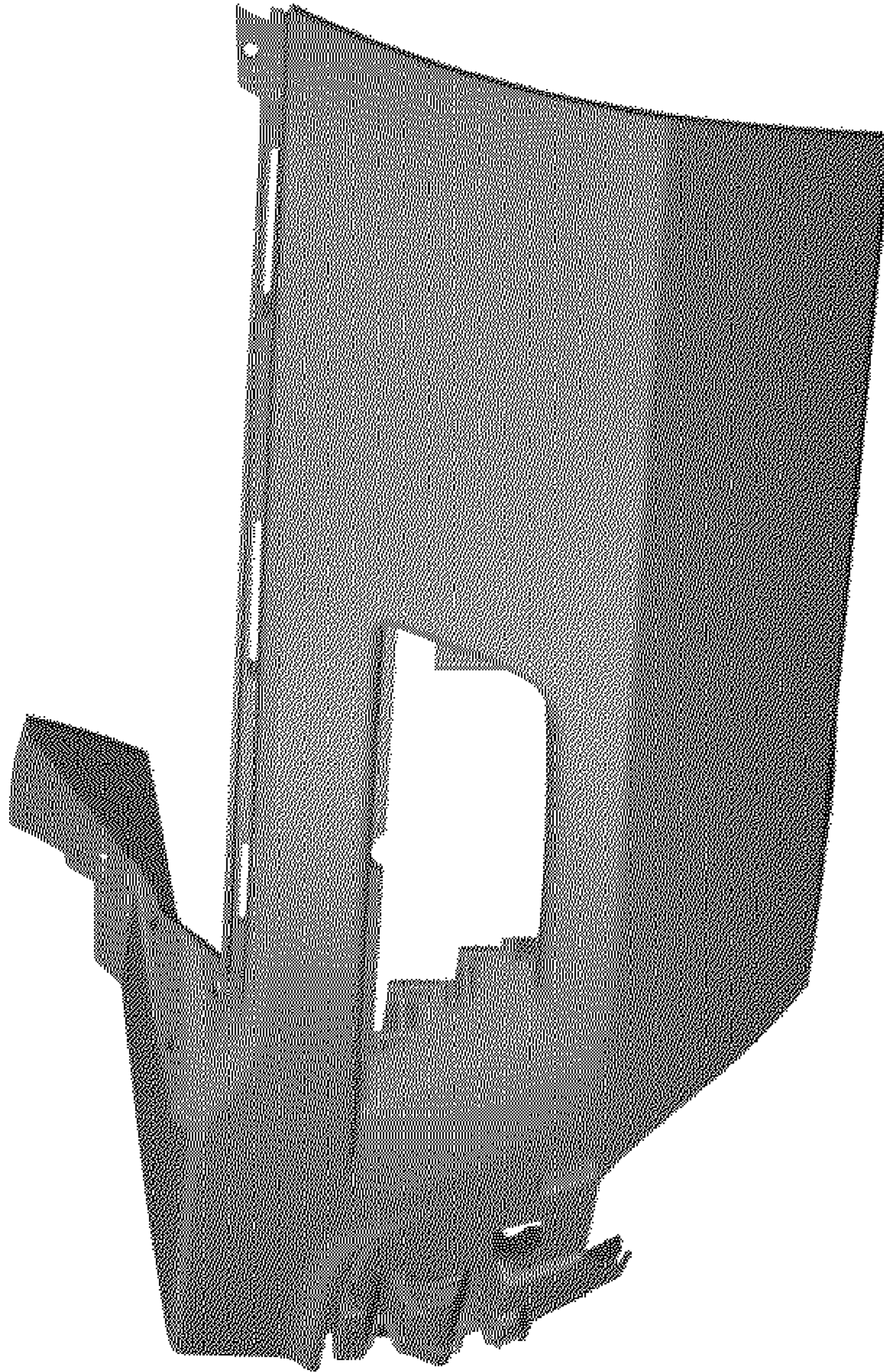


Figure 5

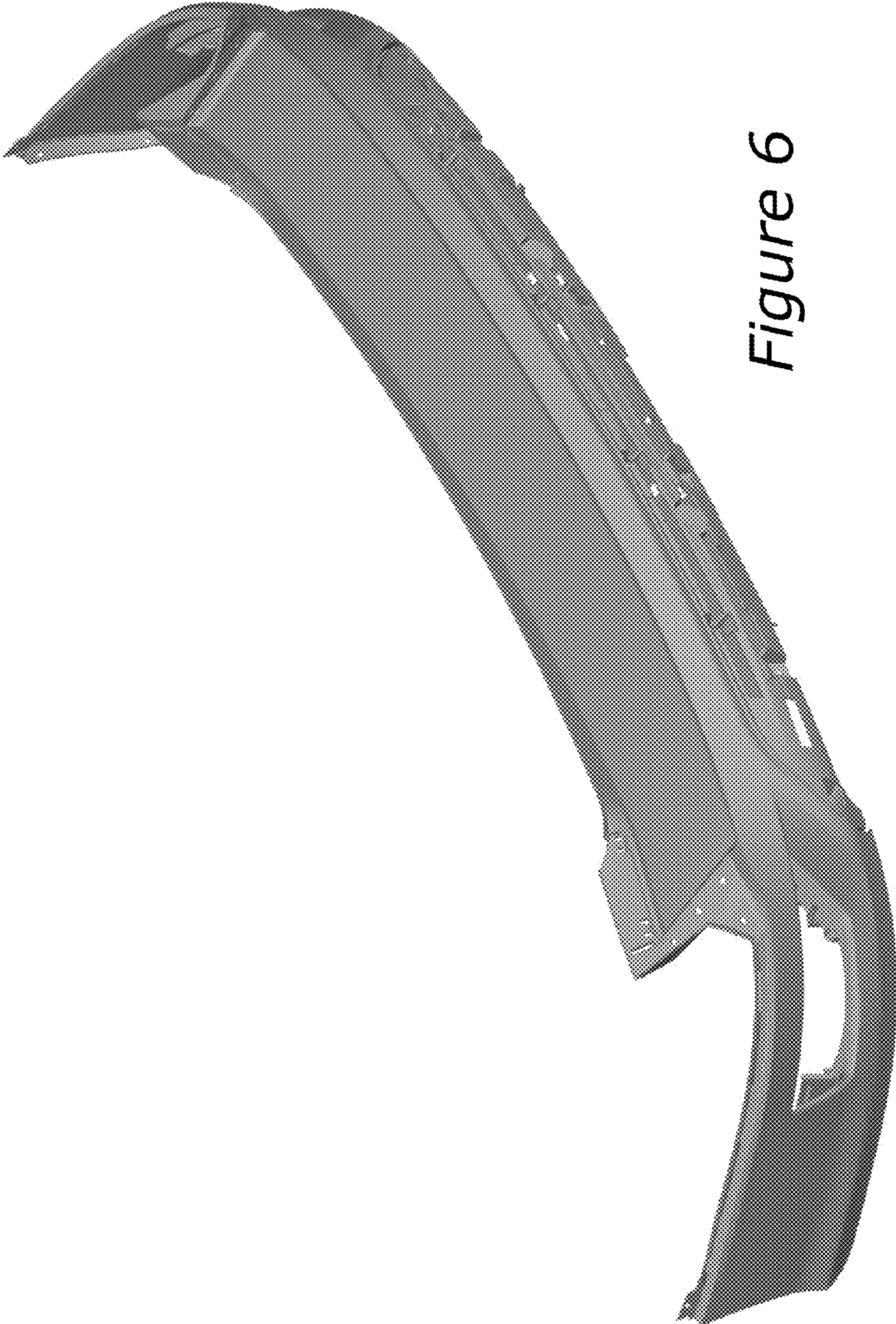


Figure 6

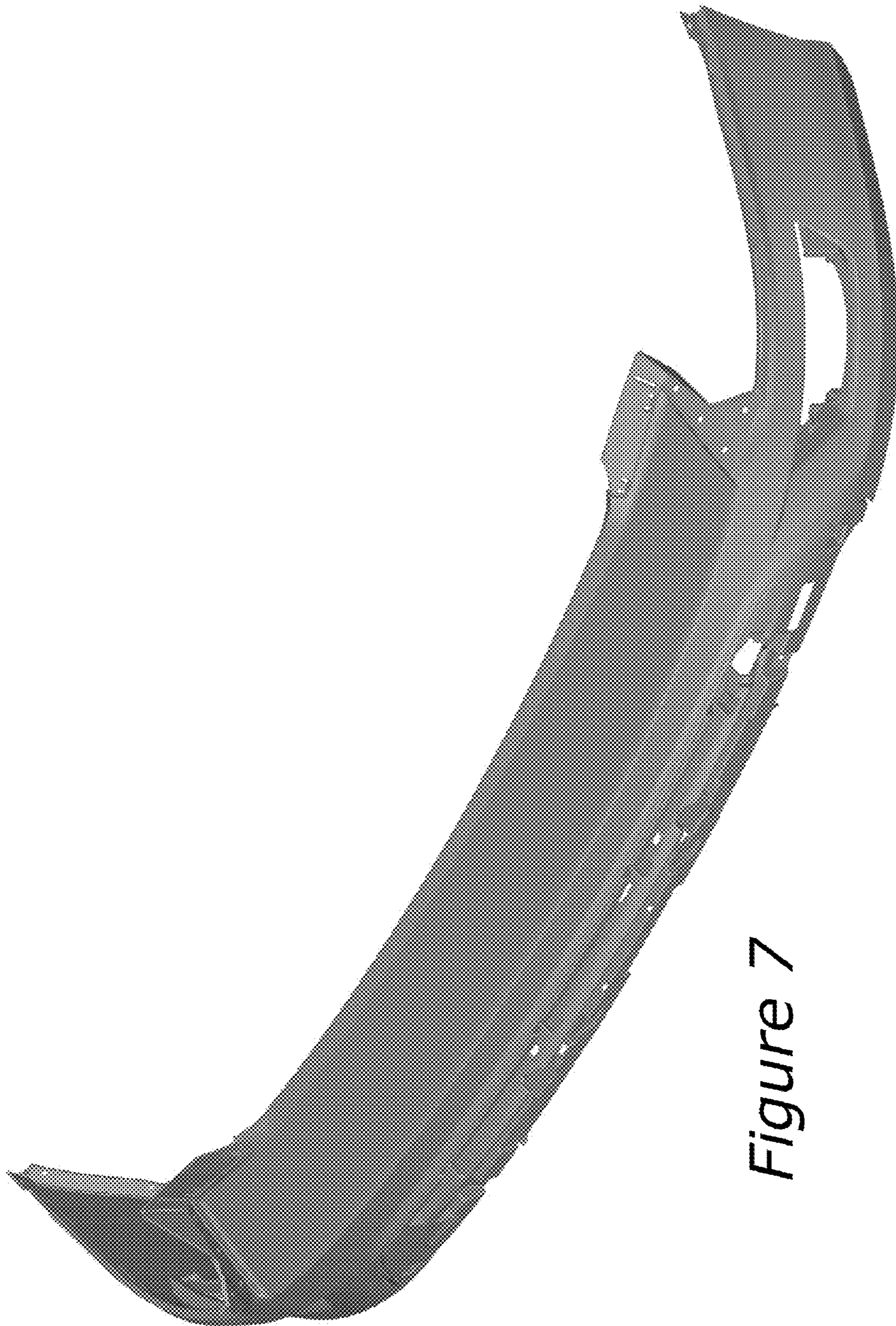


Figure 7